



US00D763644S

(12) **United States Design Patent**  
**Knirr**

(10) **Patent No.:** **US D763,644 S**

(45) **Date of Patent:** **\*\* Aug. 16, 2016**

(54) **CORK REMOVER**

(71) Applicant: **Aaron Knirr**, Eureka, MO (US)

(72) Inventor: **Aaron Knirr**, Eureka, MO (US)

(\*\*) Term: **14 Years**

(21) Appl. No.: **29/516,175**

(22) Filed: **Jan. 29, 2015**

(51) **LOC (10) Cl.** ..... **07-99**

(52) **U.S. Cl.**  
USPC ..... **D8/36**

(58) **Field of Classification Search**  
USPC ..... D8/16, 18, 33-43, 98, 104; D9/500,  
D9/550, 558

CPC ..... B67B 7/00; B67B 7/14; B67B 7/16;  
B67B 7/24; B67B 7/30; B67B 7/32; B67B  
7/34; B67B 7/36; B67B 7/38

See application file for complete search history.

D449,531 S \* 10/2001 Cooley ..... D9/500  
6,640,665 B1 \* 11/2003 Williamson ..... B67B 7/16  
81/3.09  
D498,997 S \* 11/2004 Corredor ..... D8/38  
D546,191 S \* 7/2007 Kato ..... D9/551  
D548,098 S \* 8/2007 Lauret ..... D9/544  
D561,041 S \* 2/2008 Sajous ..... D9/544  
RE43,104 E \* 1/2012 Rica ..... D9/520  
D658,997 S \* 5/2012 Potts ..... D9/500  
D678,068 S \* 3/2013 Huang ..... D9/500  
8,667,867 B2 \* 3/2014 Mills ..... B67B 7/0405  
30/1.5  
D708,955 S \* 7/2014 Moglia ..... D9/516  
D717,171 S \* 11/2014 Delacourt ..... D9/500

\* cited by examiner

*Primary Examiner* — Elizabeth A Albert

(74) *Attorney, Agent, or Firm* — QuickPatents, LLC; Kevin Prince

(57) **CLAIM**

I claim the ornamental design for a cork remover, as shown and described.

**DESCRIPTION**

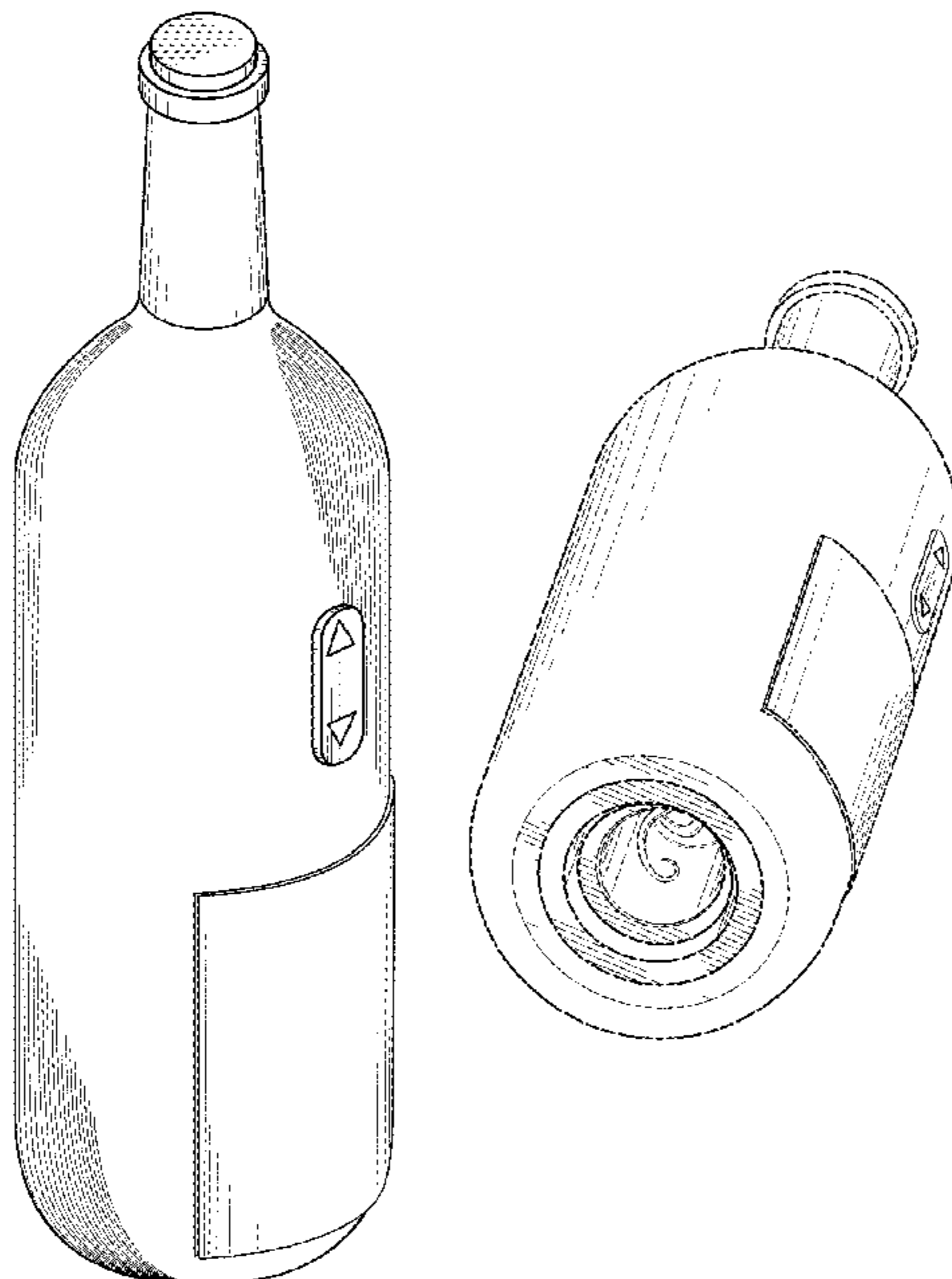
FIG. 1 is a top perspective view of a cork remover, showing my new design;  
FIG. 2 is a bottom perspective view thereof;  
FIG. 3 is a front elevational view thereof;  
FIG. 4 is a rear elevational view thereof;  
FIG. 5 is a right-side elevational view thereof, the left-side elevational view being a mirror image thereof;  
FIG. 6 is a top plan view thereof; and,  
FIG. 7 is a bottom plan view thereof.  
The broken lines in FIG. 7 are included to show portions of the cork remover that form no part of the claimed design.

**1 Claim, 3 Drawing Sheets**

(56) **References Cited**

U.S. PATENT DOCUMENTS

657,421 A \* 9/1900 Jorres ..... B67B 7/44  
30/151  
3,182,839 A \* 5/1965 Hoag ..... B65D 23/02  
215/12.2  
D249,636 S \* 9/1978 Wolstenholme ..... D9/500  
D330,327 S \* 10/1992 Messer ..... D9/500  
D331,367 S \* 12/1992 Armstrong ..... D9/553  
D406,025 S \* 2/1999 Hung ..... 81/3.09  
D422,906 S \* 4/2000 Mellish ..... D9/520  
D433,298 S \* 11/2000 Wysopal ..... 81/3.35  
6,151,741 A \* 11/2000 Chen ..... B25G 1/085  
7/155  
D434,985 S \* 12/2000 Colonna ..... D9/500  
D436,852 S \* 1/2001 Chan ..... D9/549



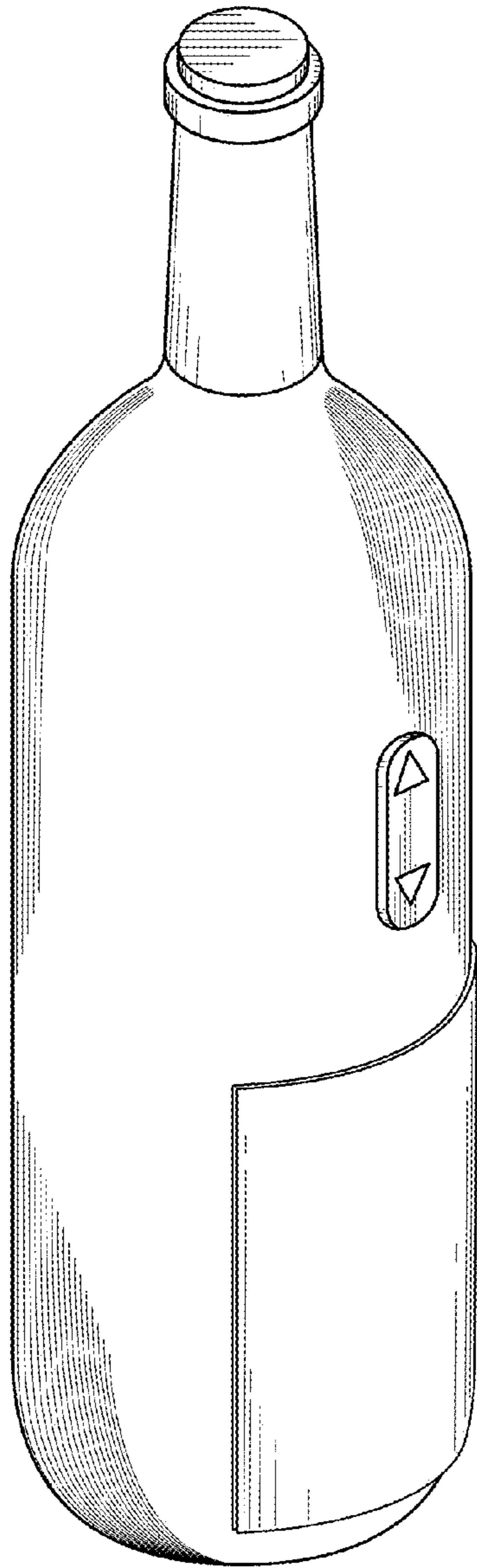


FIG. 1

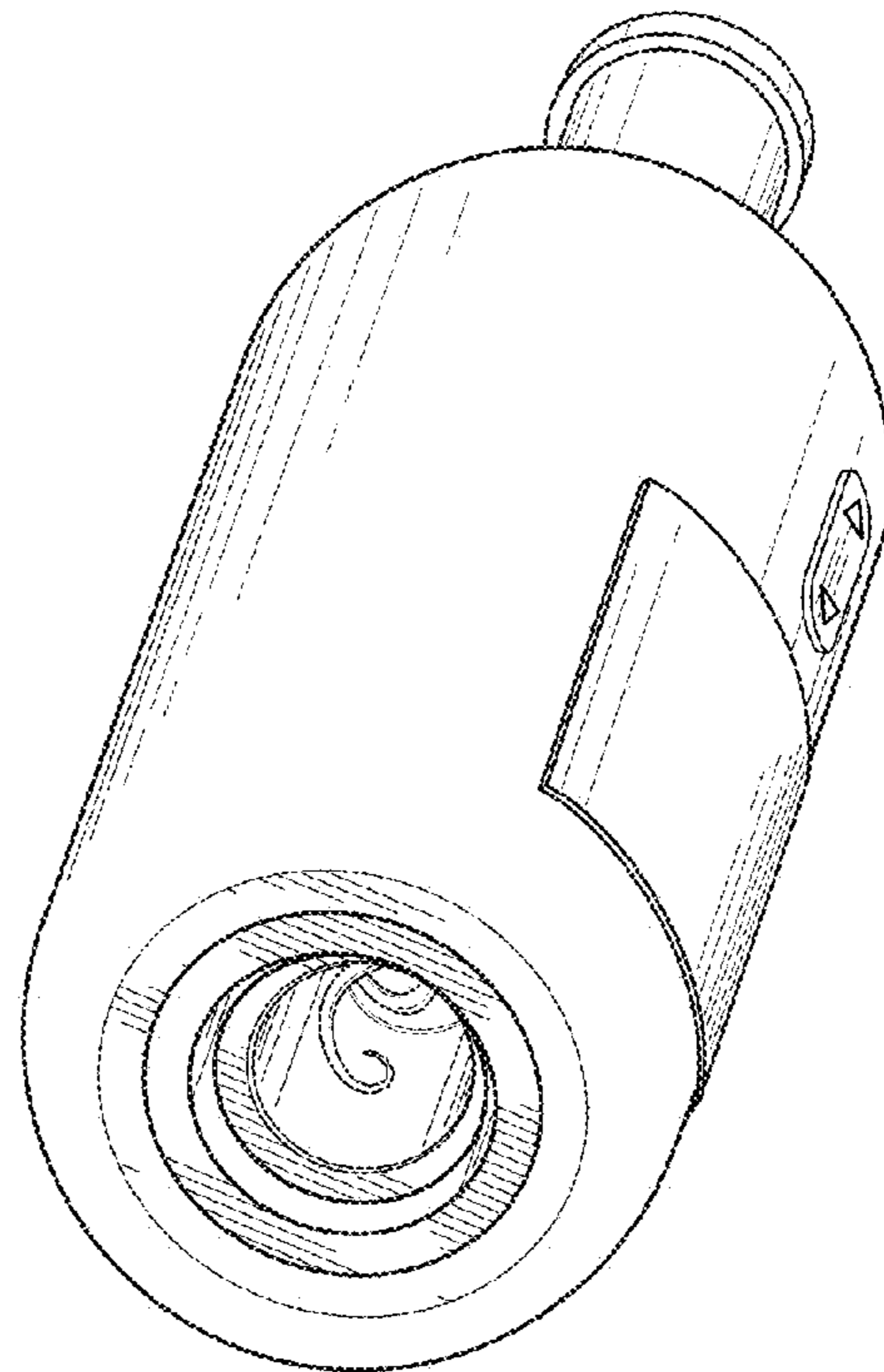


FIG. 2

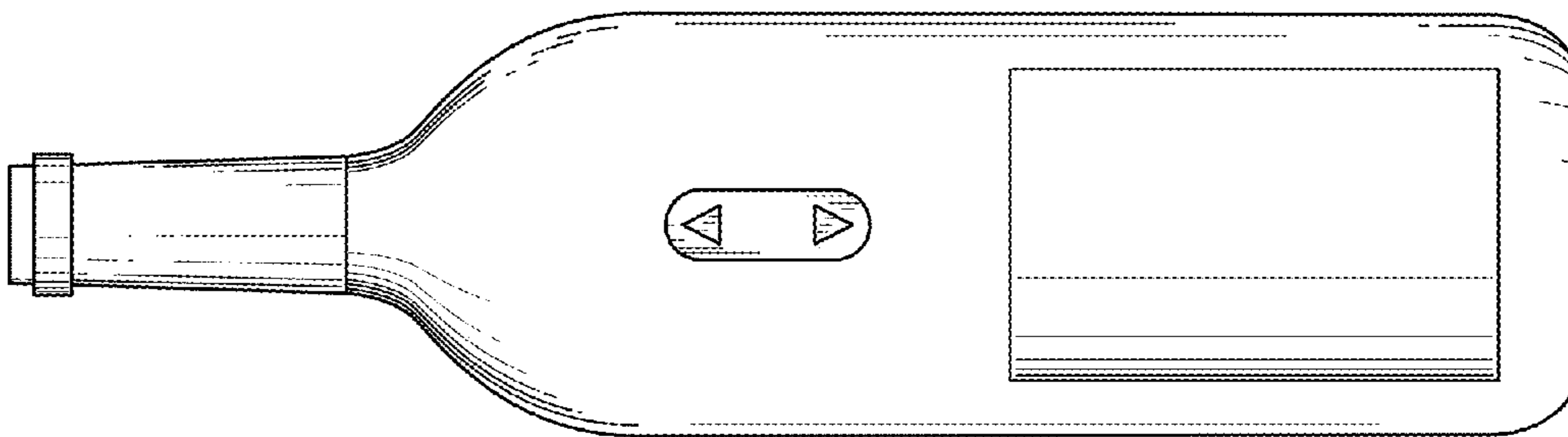


FIG. 3

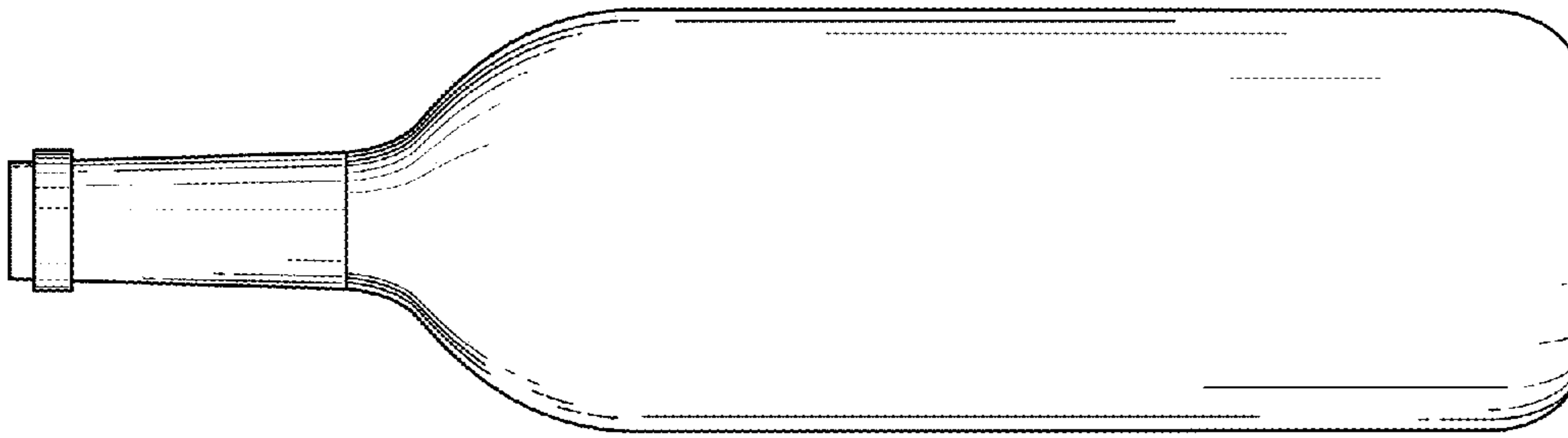


FIG. 4

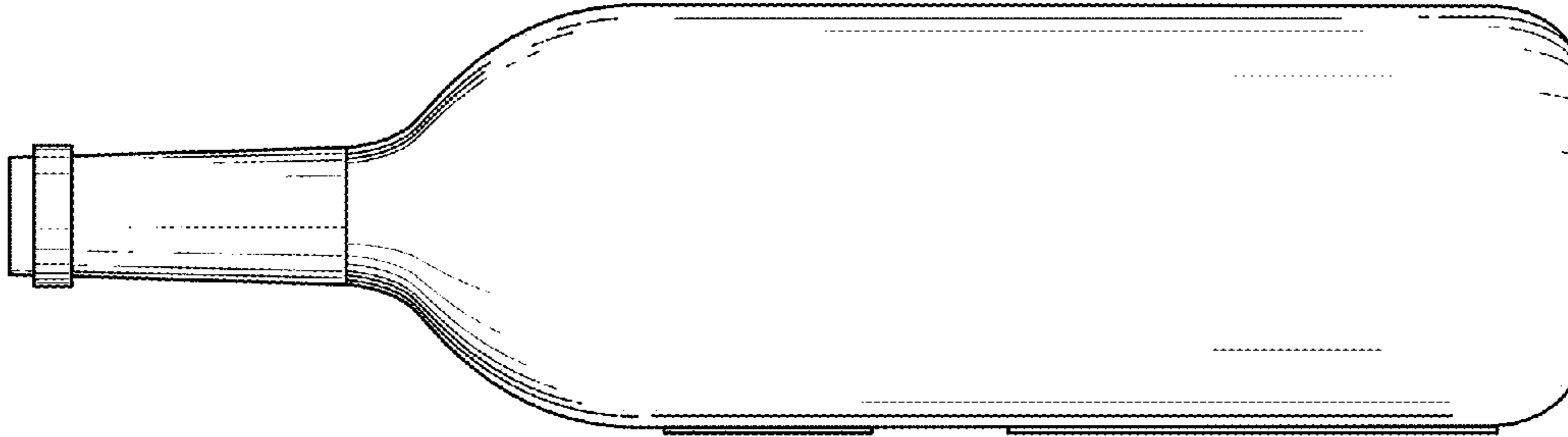


FIG. 5

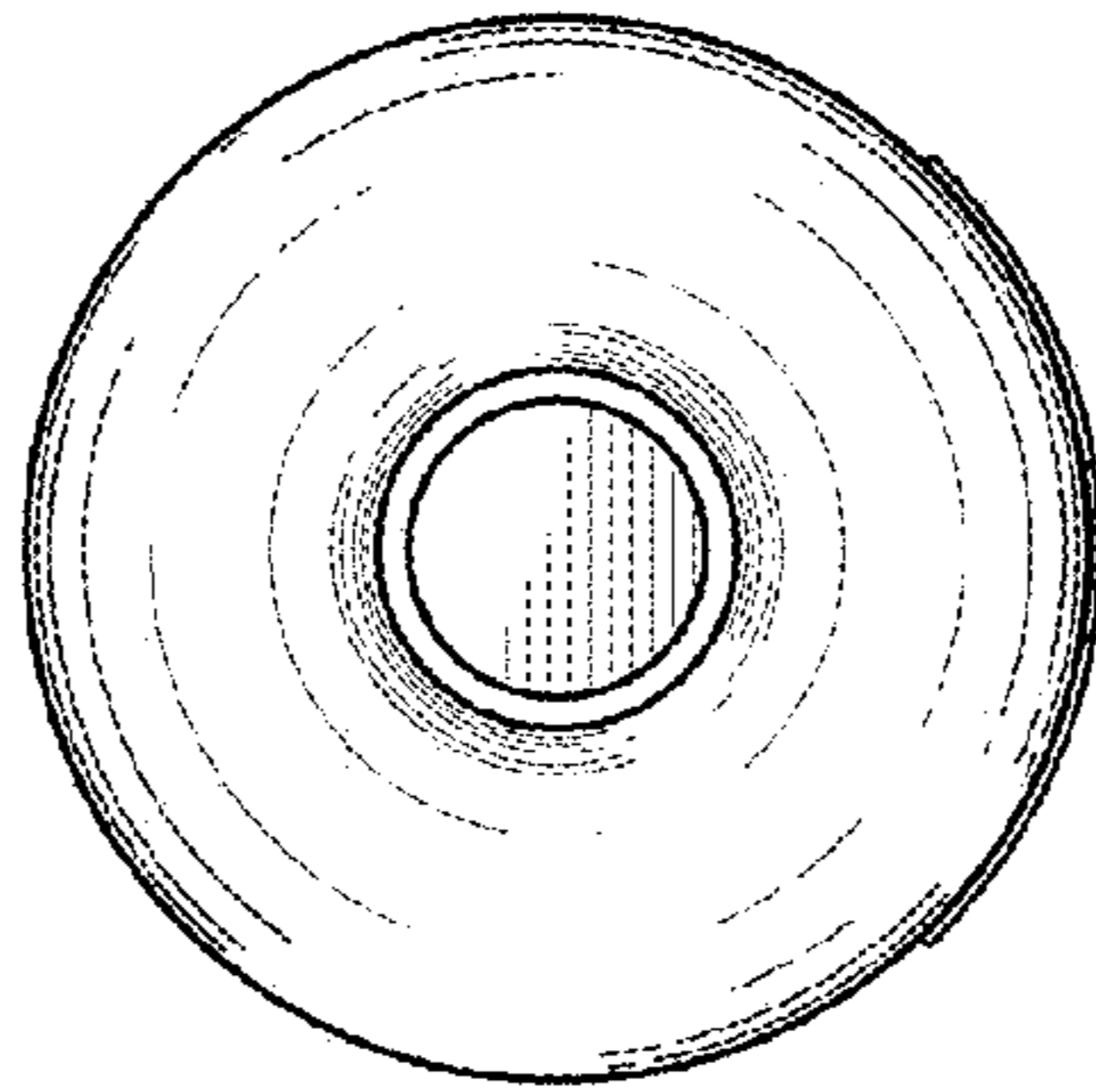


FIG. 6

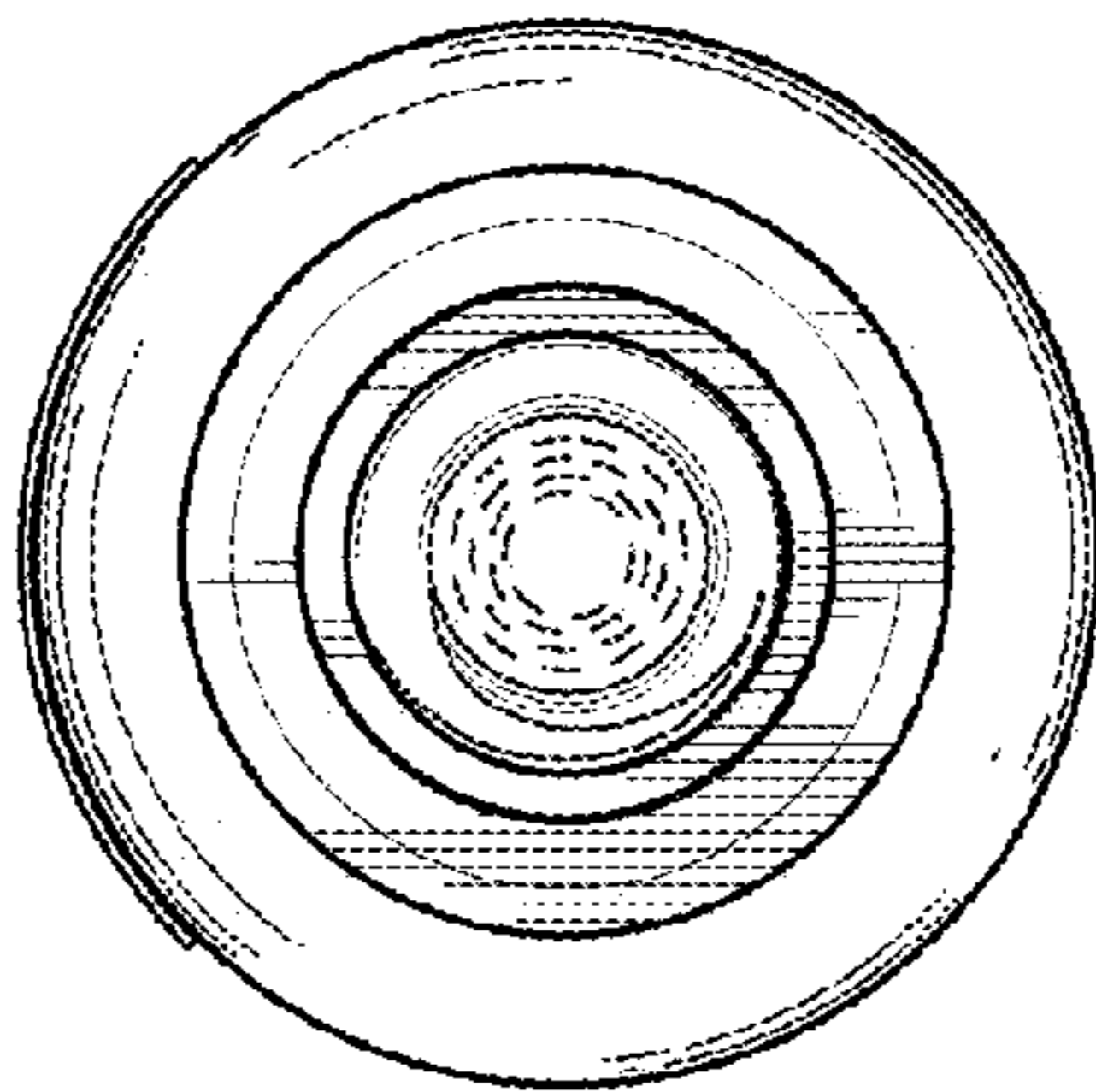


FIG. 7