

US00D763639S

(12) **United States Design Patent**
Whitlock et al.

(10) **Patent No.:** **US D763,639 S**

(45) **Date of Patent:** **** Aug. 16, 2016**

(54) **ENCLOSABLE DRAWER FOR CUTTING BOARD**

(71) Applicants: **Paul Whitlock**, Santa Monica, CA (US);
Valerie Whitlock, Santa Monica, CA (US)

(72) Inventors: **Paul Whitlock**, Santa Monica, CA (US);
Valerie Whitlock, Santa Monica, CA (US)

(**) Term: **14 Years**

(21) Appl. No.: **29/520,923**

(22) Filed: **Mar. 18, 2015**

(51) **LOC (10) Cl.** **07-04**

(52) **U.S. Cl.**
USPC **D7/698**; D7/699

(58) **Field of Classification Search**
USPC D7/408, 543, 549, 550.1, 586,
D7/698-699; D32/55-57
CPC A47J 47/00; A47J 47/005; A47J 47/20;
B26D 7/0006; B26D 7/018; B26D 7/20;
B23D 21/00; B23K 37/04; B23K 37/053;
B23Q 16/001; B25H 1/00; F23H 17/08

See application file for complete search history.

(56) **References Cited**

U.S. PATENT DOCUMENTS

157,283	A *	12/1874	Gurney	B25H 1/00 100/210
D304,277	S *	10/1989	Wolff	D10/46.2
6,341,770	B1 *	1/2002	Landherr	A47J 47/20 269/289 R
6,651,970	B2 *	11/2003	Scott	A47J 47/005 269/13
D587,031	S *	2/2009	Pourounidis	D7/698
D598,252	S *	8/2009	West	D7/698
D620,312	S *	7/2010	Jendrass	D7/408
D630,914	S *	1/2011	Aviles	D7/698
D671,806	S *	12/2012	Kaufmann	D7/698
8,511,295	B2 *	8/2013	Buerkle	F23H 17/08 126/152 B
D745,345	S *	12/2015	Joseph	D7/698

* cited by examiner

Primary Examiner — Ricky Pham

(74) *Attorney, Agent, or Firm* — D. Whitlow Bivens

(57) **CLAIM**

The ornamental design for an enclosable drawer for cutting board, as shown and described.

DESCRIPTION

FIG. 1 is an interior cross-sectional view of a portion of our new design; and, FIG. 2 is a cut-away, partially-exploded perspective view of a portion of our new design. The broken lines shown in the drawings are for illustrative purposes only and form no part of the claimed design. Anything not shown in the drawings is disclaimed.

1 Claim, 1 Drawing Sheet

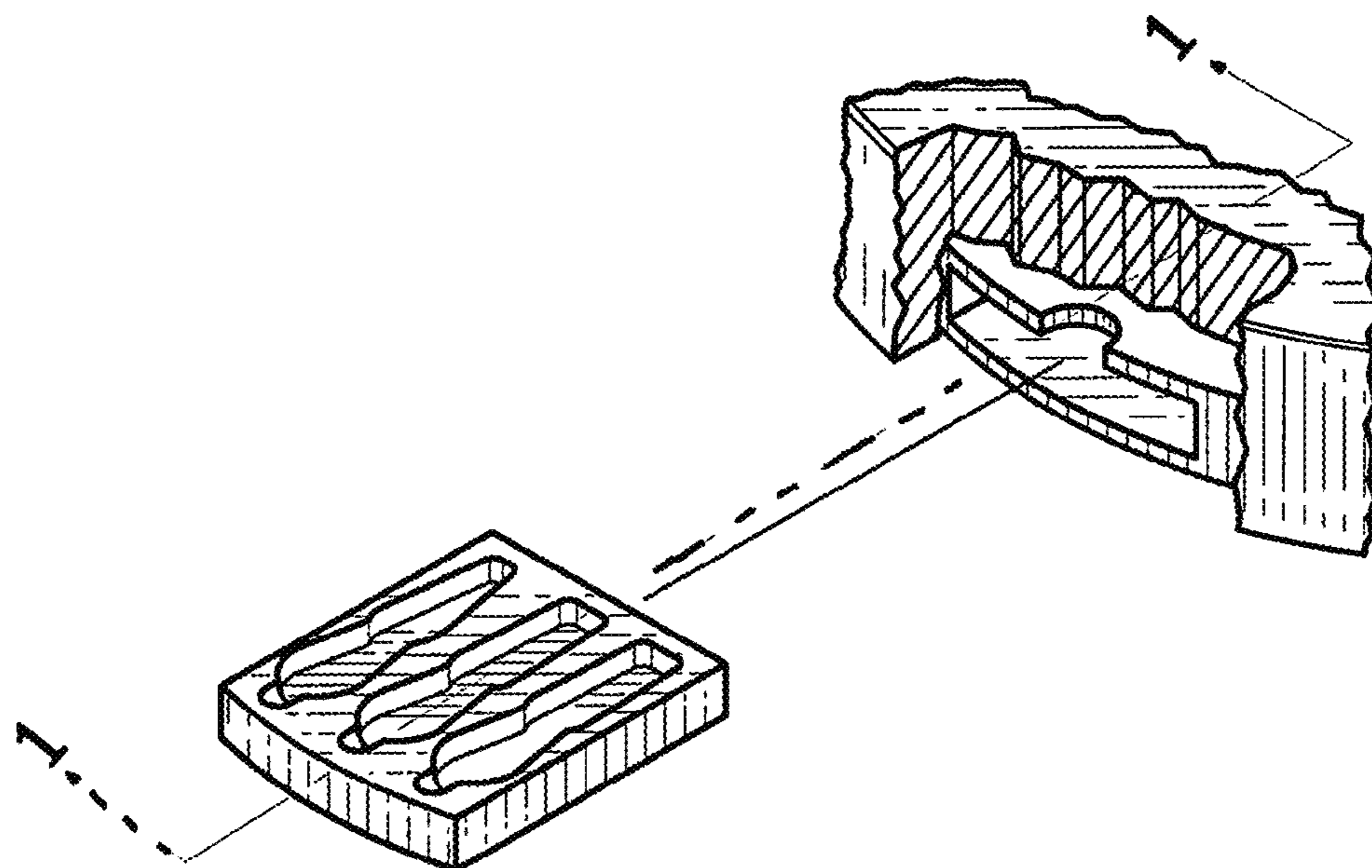


FIG. 1

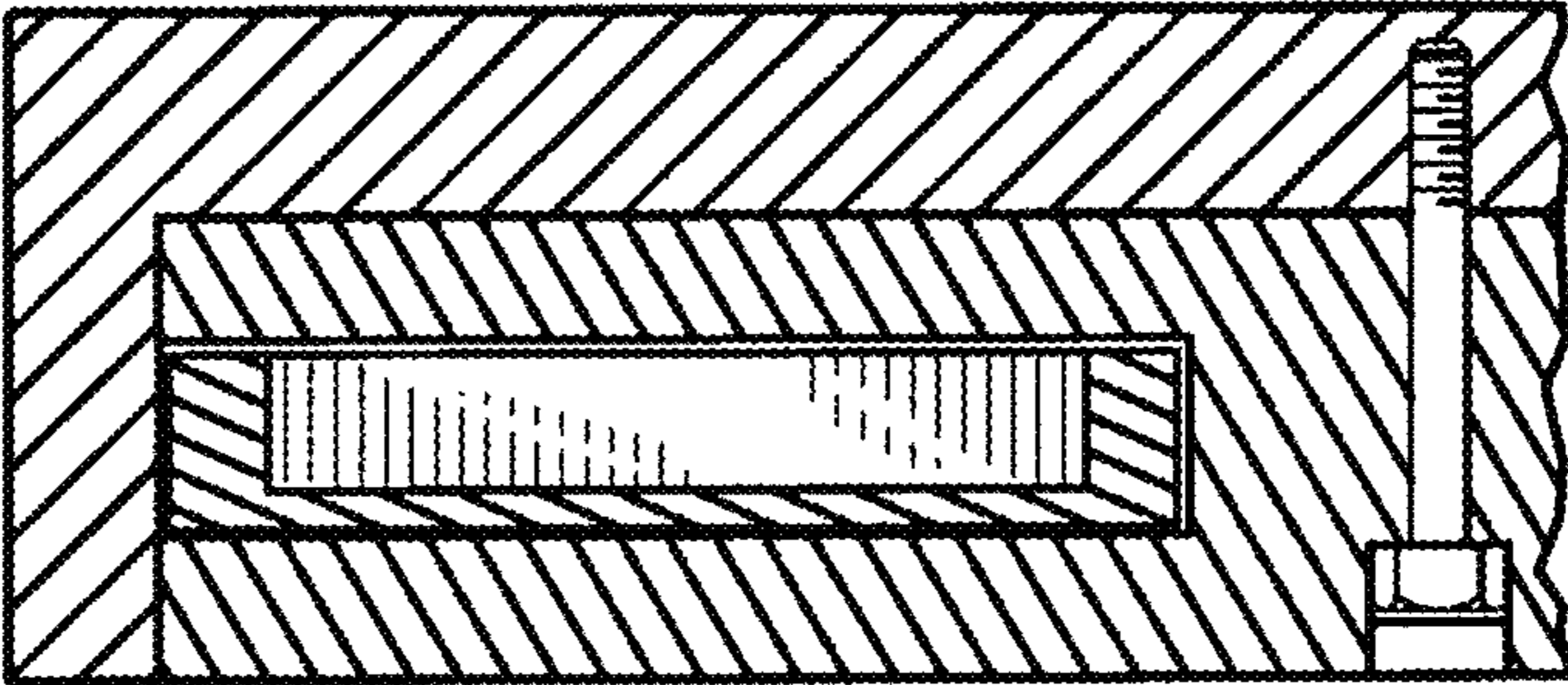


FIG. 2

