



US00D763635S

(12) **United States Design Patent**
Frank et al.

(10) **Patent No.:** **US D763,635 S**

(45) **Date of Patent:** **** Aug. 16, 2016**

(54) **SPHERE ICE TONGS**

(71) Applicant: **ICI USA, LLC**, Seattle, WA (US)

(72) Inventors: **Matthew Frank**, Seattle, WA (US);
Raquel Rabago, Seattle, WA (US)

(73) Assignee: **ICI USA, LLC**, Seattle, WA (US)

(**) Term: **14 Years**

(21) Appl. No.: **29/515,716**

(22) Filed: **Jan. 26, 2015**

(51) **LOC (10) Cl.** **07-06**

(52) **U.S. Cl.**
USPC **D7/686**

(58) **Field of Classification Search**
CPC A47G 21/02; A47G 21/10; A47G 21/103;
A47G 21/106; A47J 43/283
See application file for complete search history.

(56) **References Cited**

U.S. PATENT DOCUMENTS

D101,764 S *	11/1936	Brooks	D7/686
2,376,135 A *	5/1945	Frasher	A47J 17/02
				294/99.2
D505,599 S *	5/2005	Fiedeler	D7/686
D507,160 S *	7/2005	Bertulis	D7/686
D510,239 S *	10/2005	Bertulis	D7/686
D533,035 S *	12/2006	Bodum	D7/686
D581,227 S *	11/2008	Pinkston	D7/686
D592,918 S *	5/2009	Lion	D7/686
D606,815 S *	12/2009	Gallop	D7/686
D664,816 S *	8/2012	Difante	D7/686

* cited by examiner

Primary Examiner — Terry Wallace

(74) *Attorney, Agent, or Firm* — Cloutier Global

(57) **CLAIM**

The ornamental design for a sphere ice tongs, as shown and described.

DESCRIPTION

FIG. 1 is a top plan view of a sphere ice tongs showing our new design, the opposite side being a mirror image.

FIG. 2 is a side view thereof.

FIG. 3 is a perspective view thereof.

FIG. 4 is a perspective view thereof, the broken line showing of the sphere is for illustrative purposes only and forms no part of the claimed design.

FIG. 5 is a side view of FIG. 4.

FIG. 6 is a front view thereof.

FIG. 7 is a side view thereof, in a closed position.

FIG. 8 is a front view of FIG. 7.

FIG. 9 is a side view of an alternate embodiment of FIG. 1.

FIG. 10 is a side view of FIG. 9, the broken line showing of the sphere is for illustrative purposes only and forms no part of the claimed design.

FIG. 11 is a side view of FIG. 9.

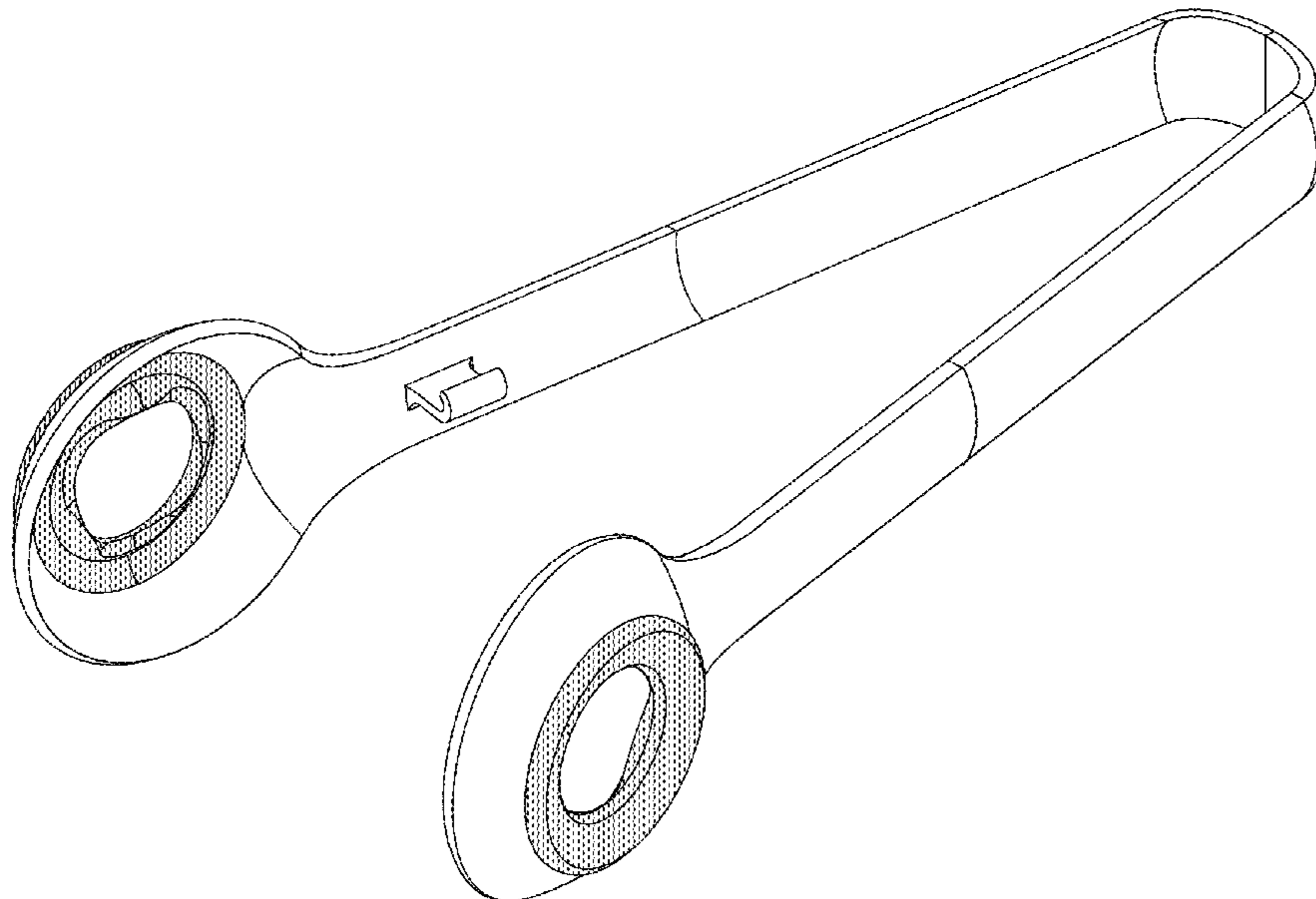
FIG. 12 is a perspective view of FIG. 9.

FIG. 13 is a perspective view of FIG. 9, the broken line showing of the sphere is for illustrative purposes only and forms no part of the claimed design.

FIG. 14 is a front view of FIG. 9; and,

FIG. 15 is a front view of FIG. 9, in a closed position.

1 Claim, 15 Drawing Sheets



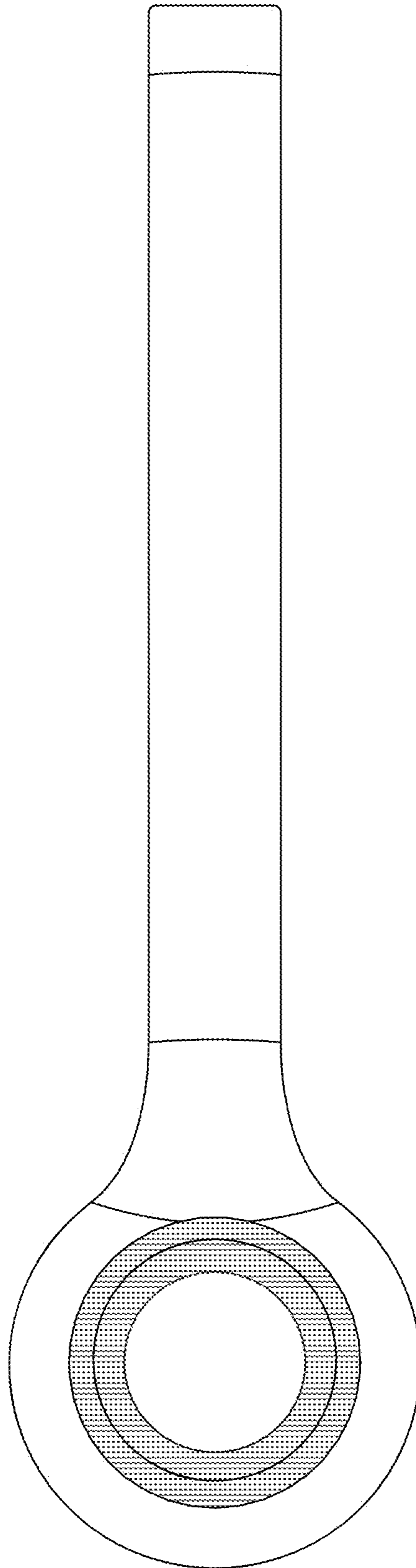


Fig. 1

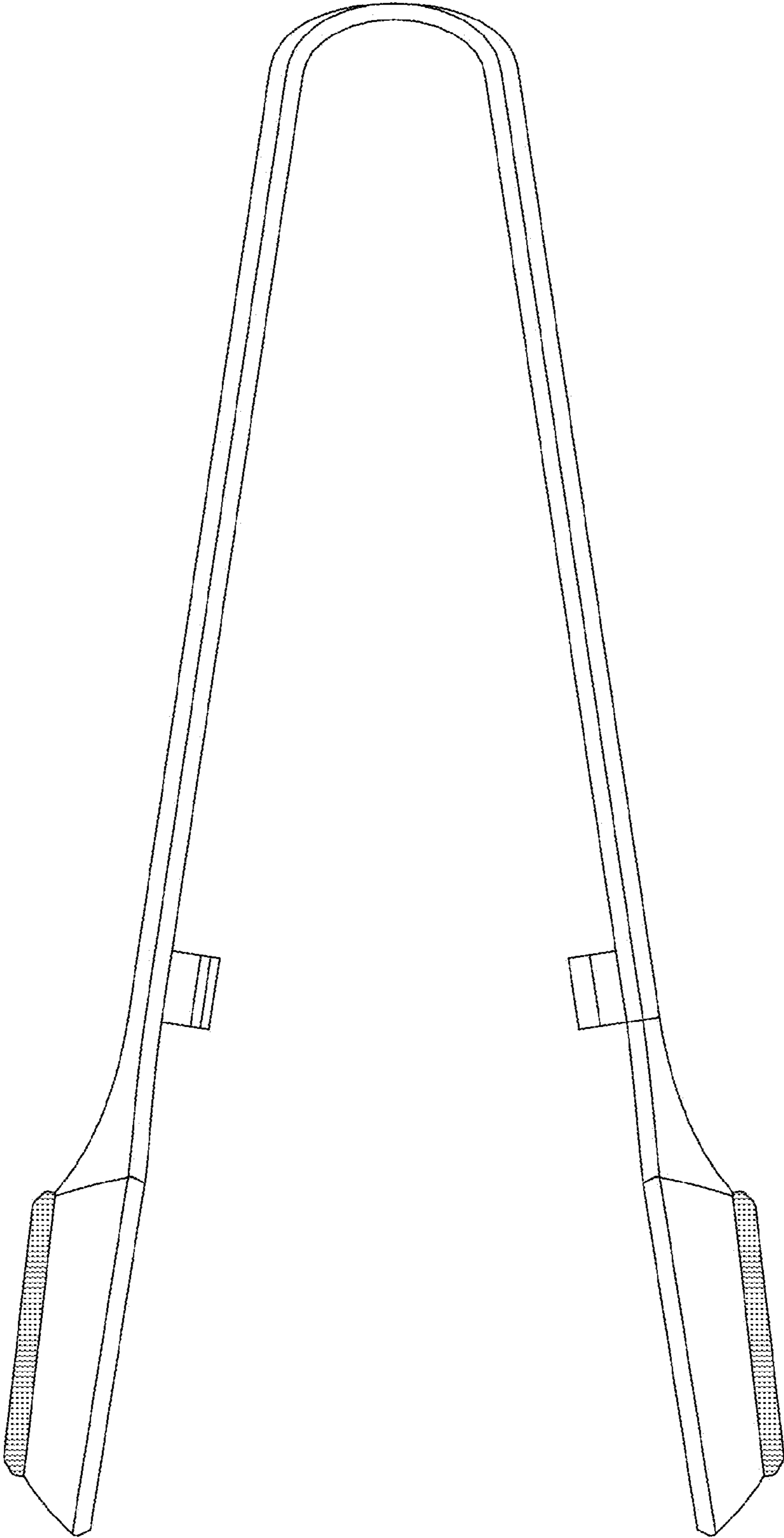


Fig. 2

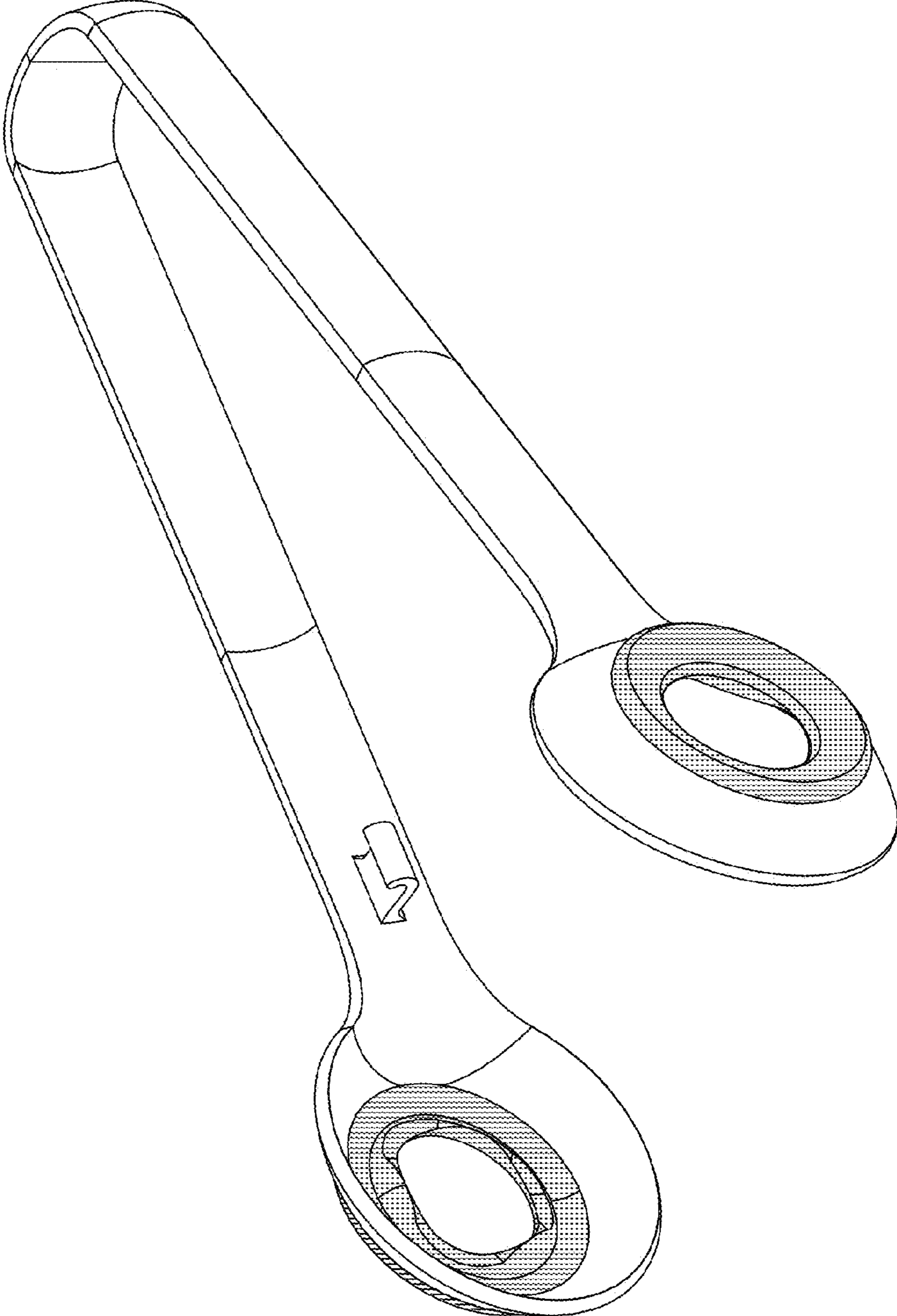


Fig. 3

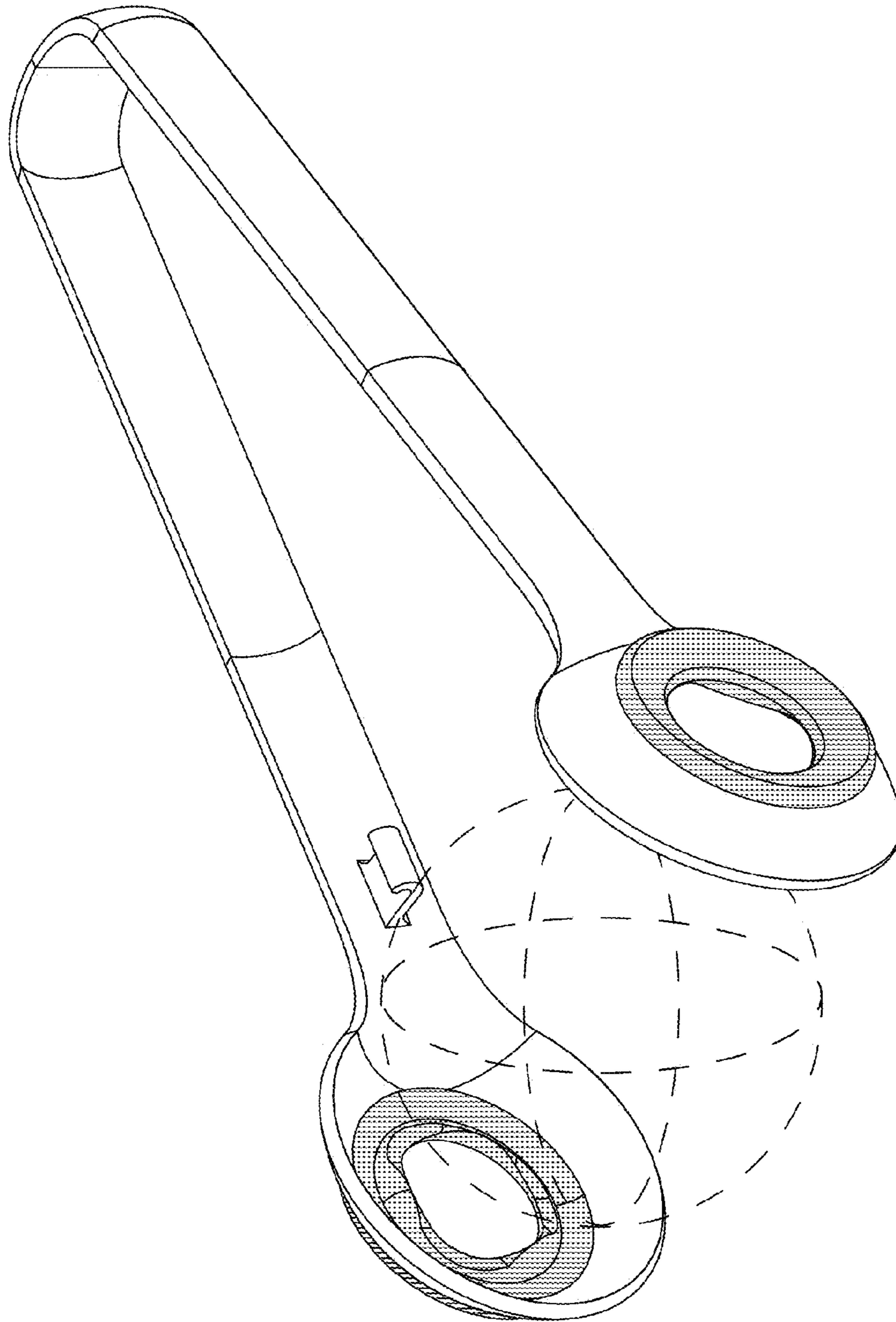


Fig. 4

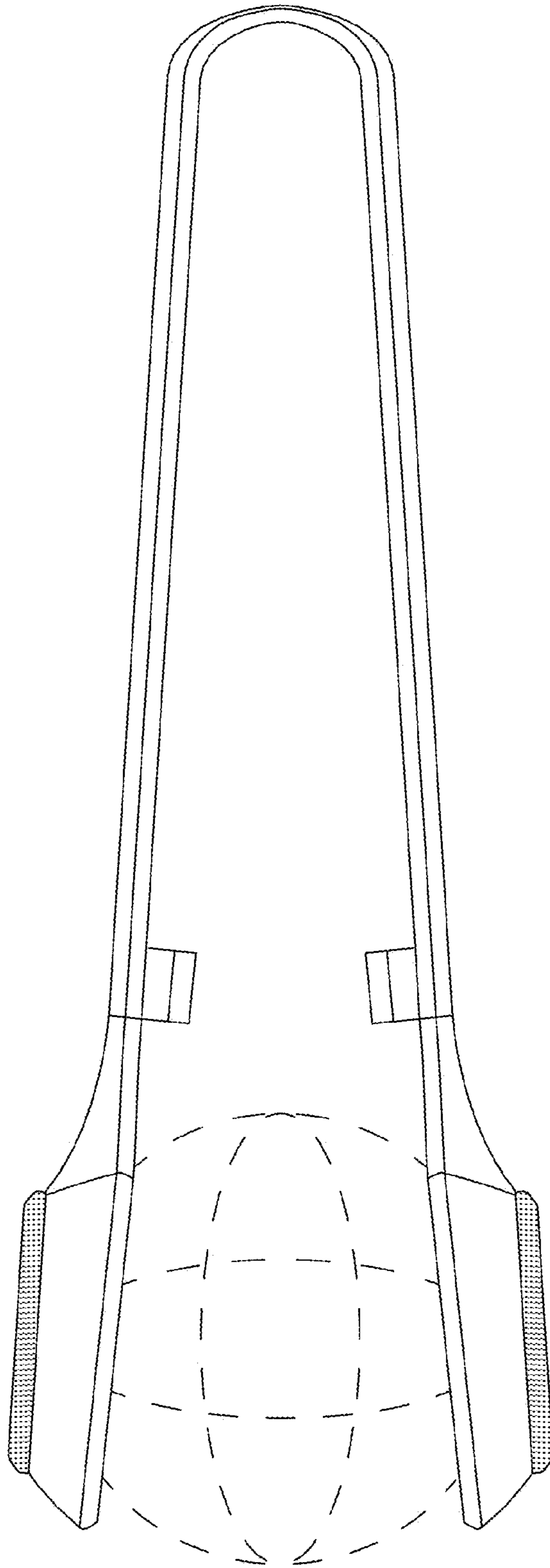


Fig. 5

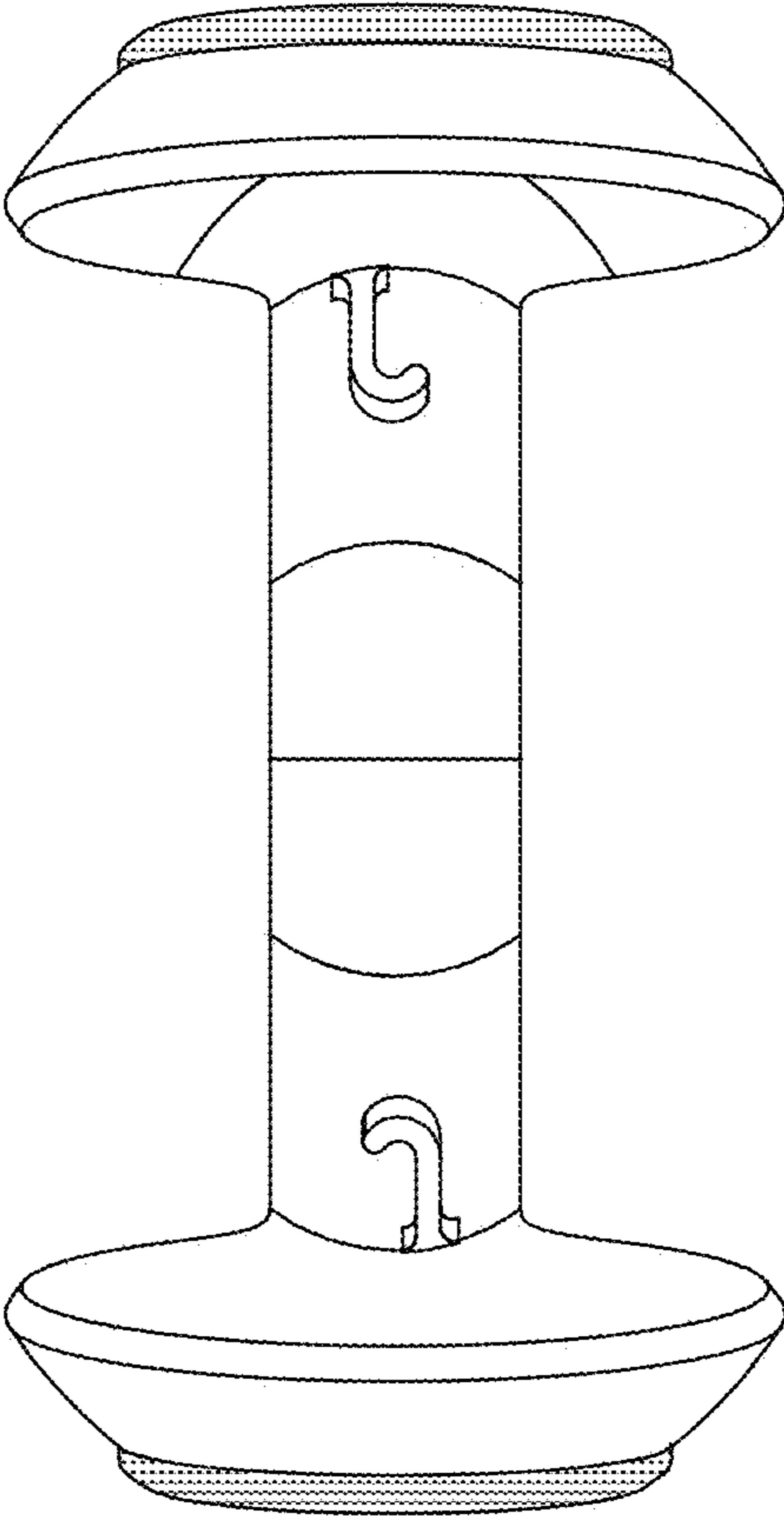


Fig. 6

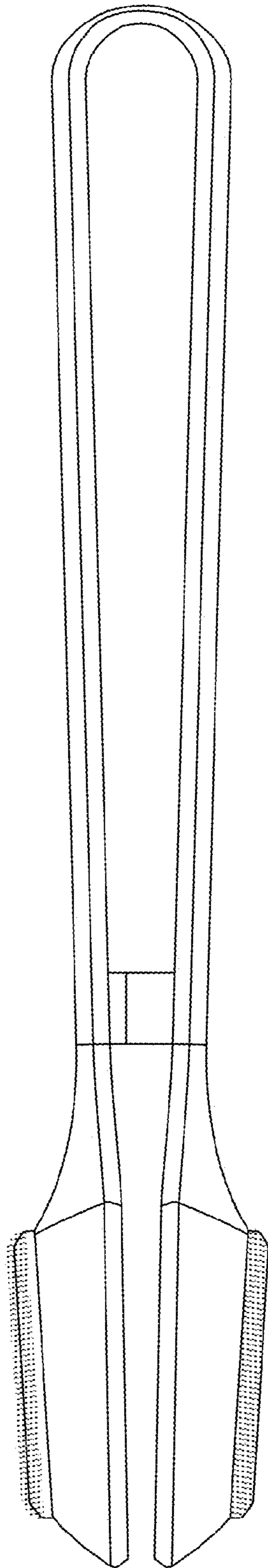


Fig. 7

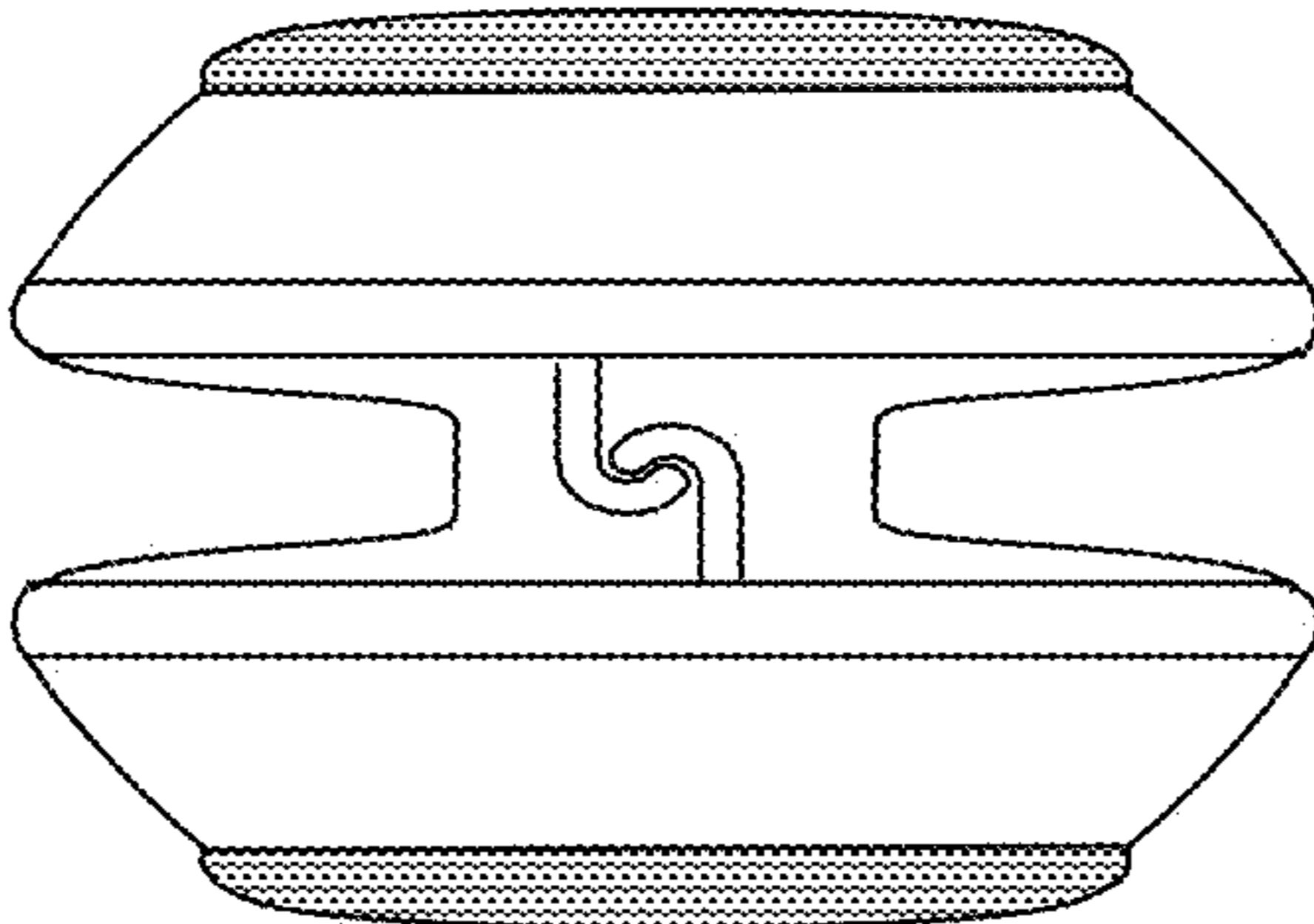


Fig. 8

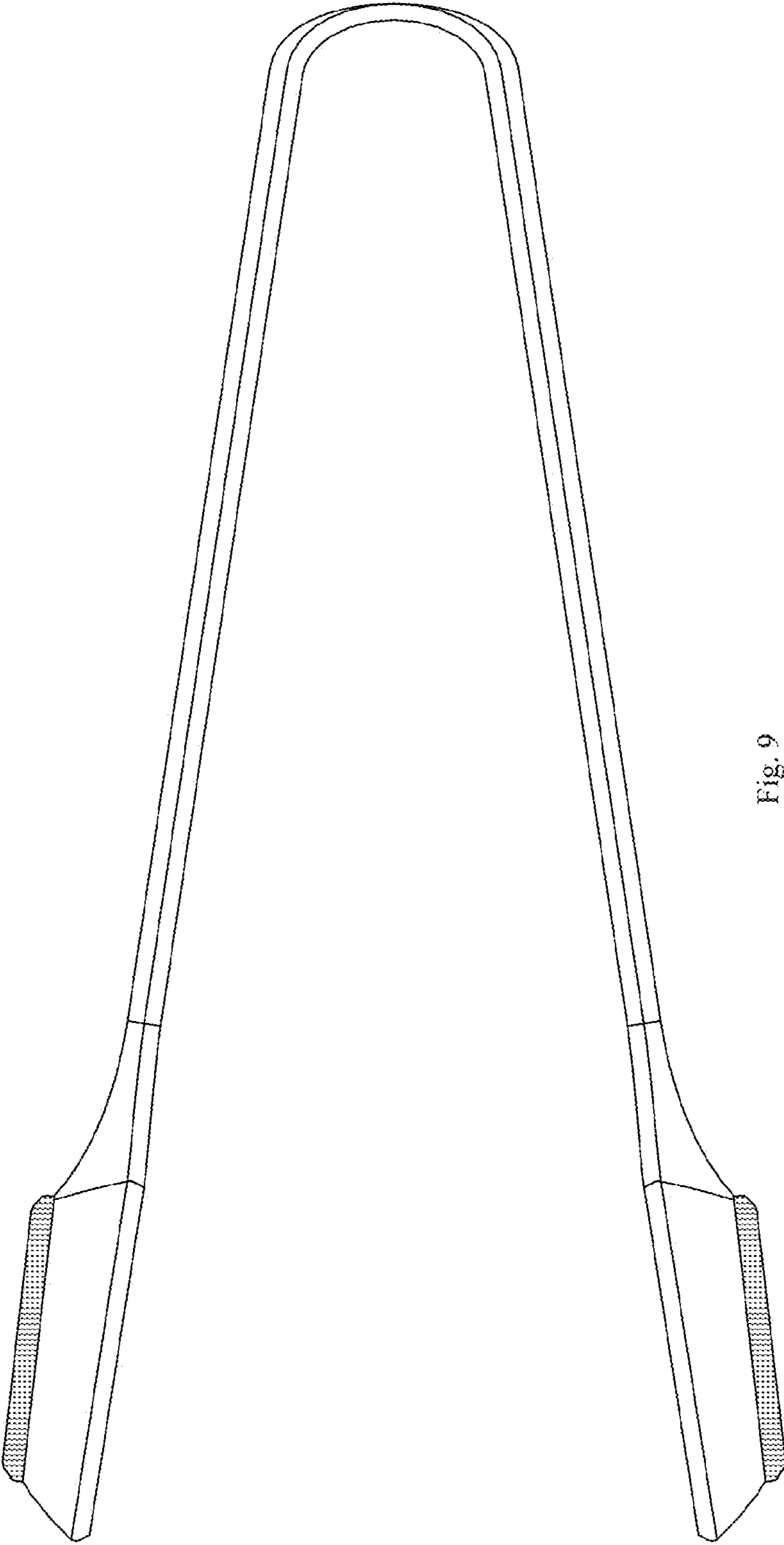


Fig. 9

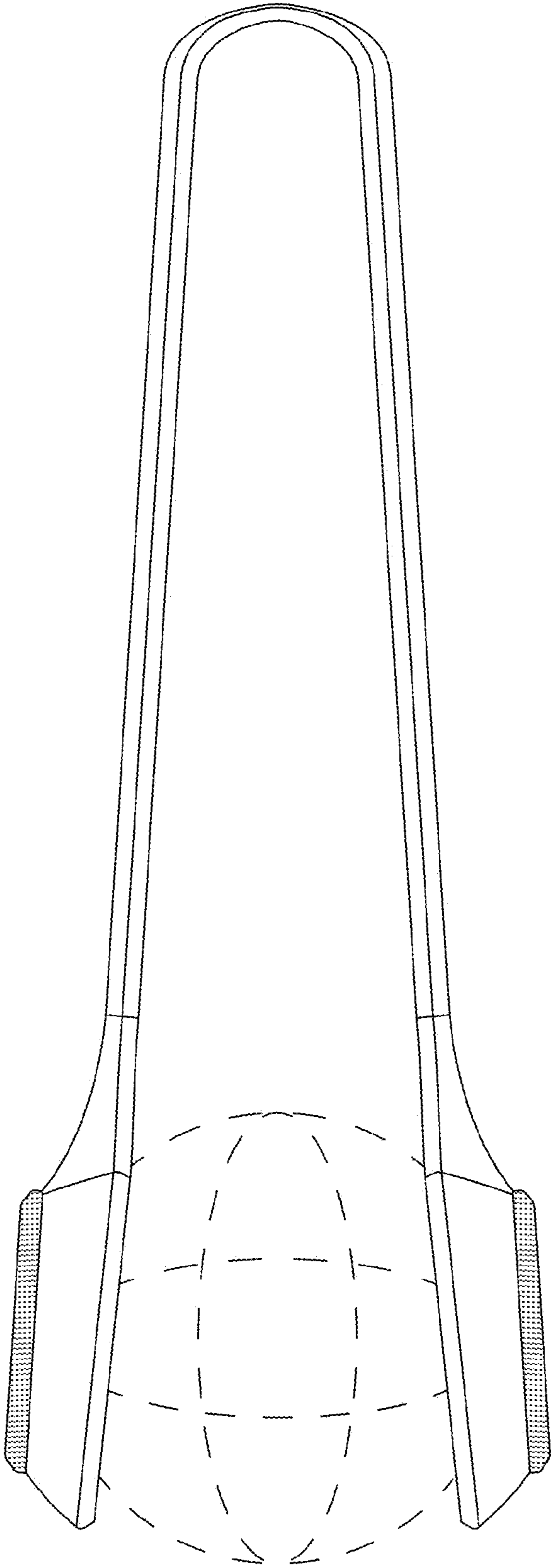


Fig. 10

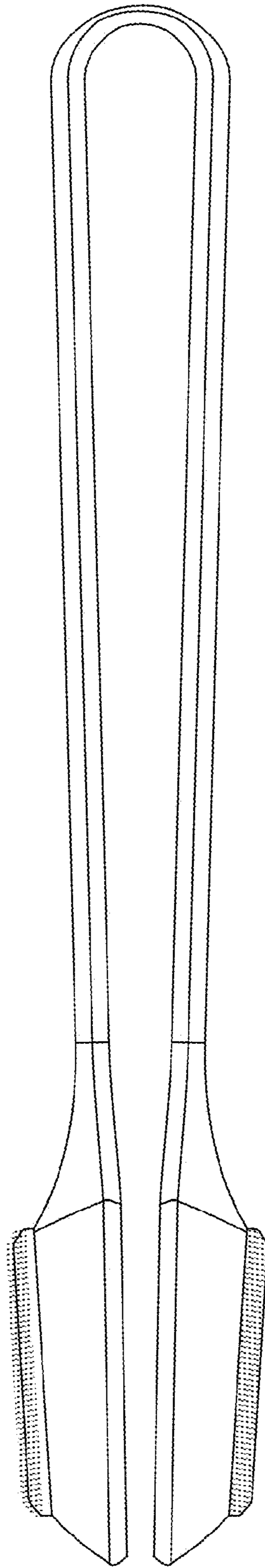


Fig. 11

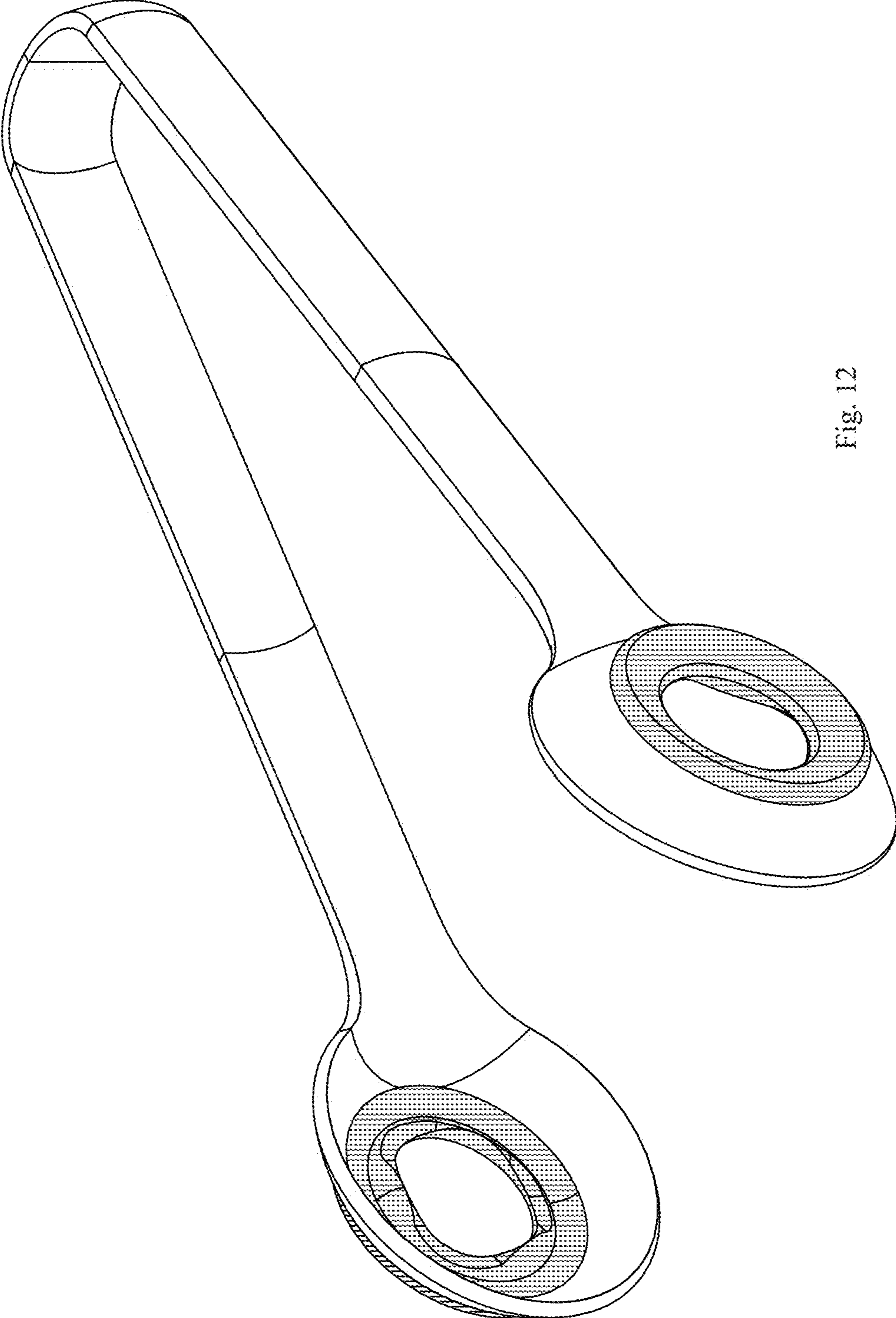


Fig. 12

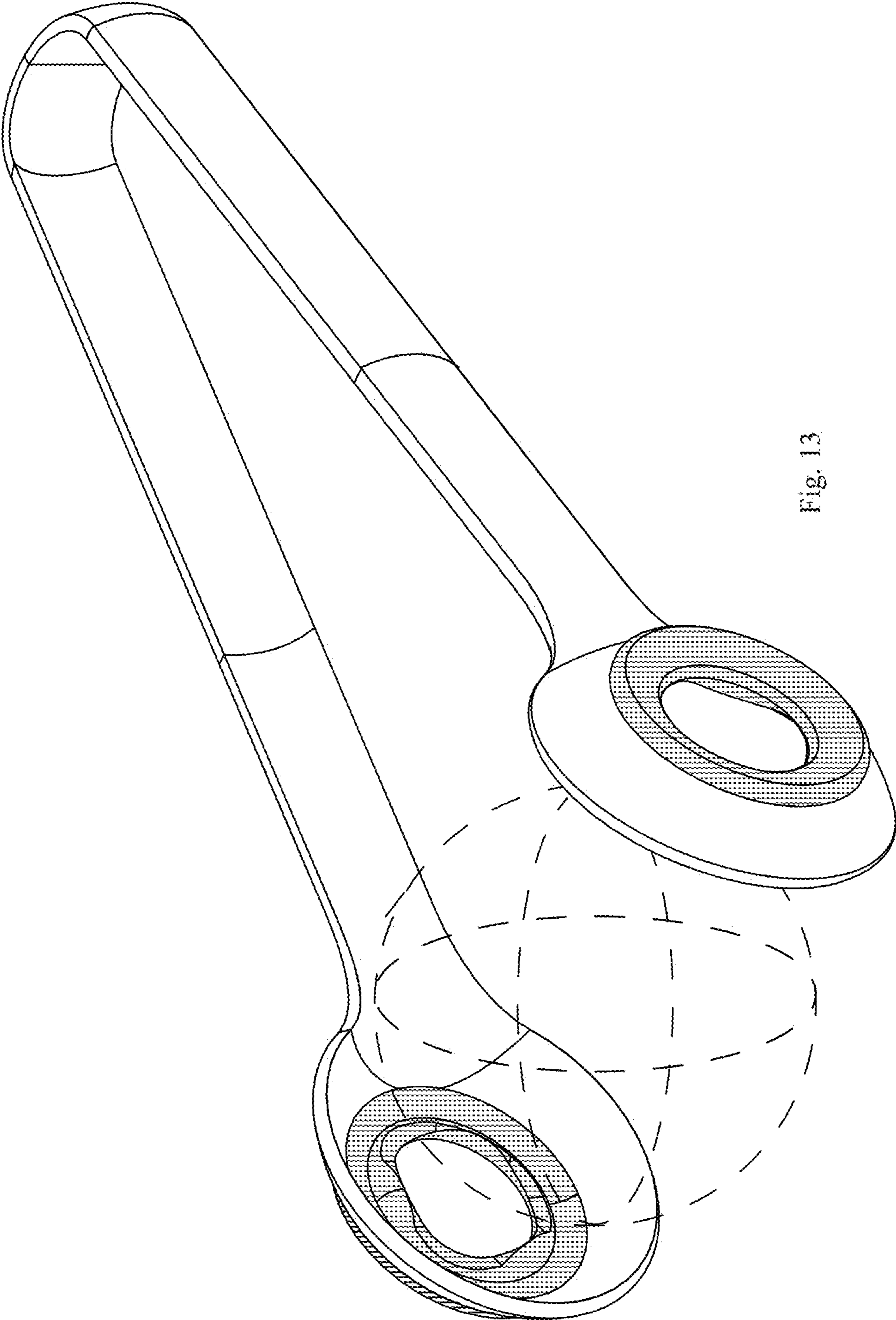


Fig. 13

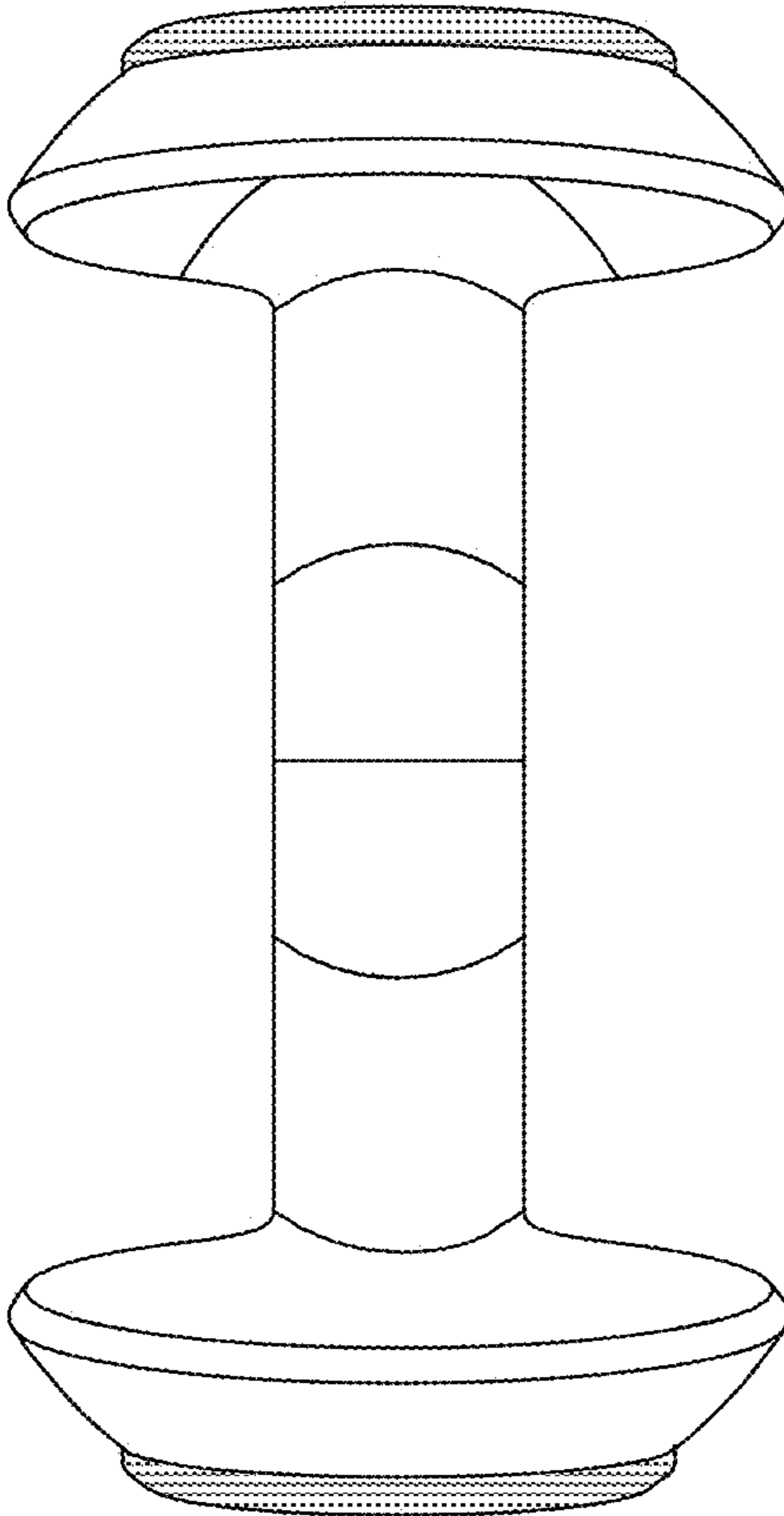


Fig. 14

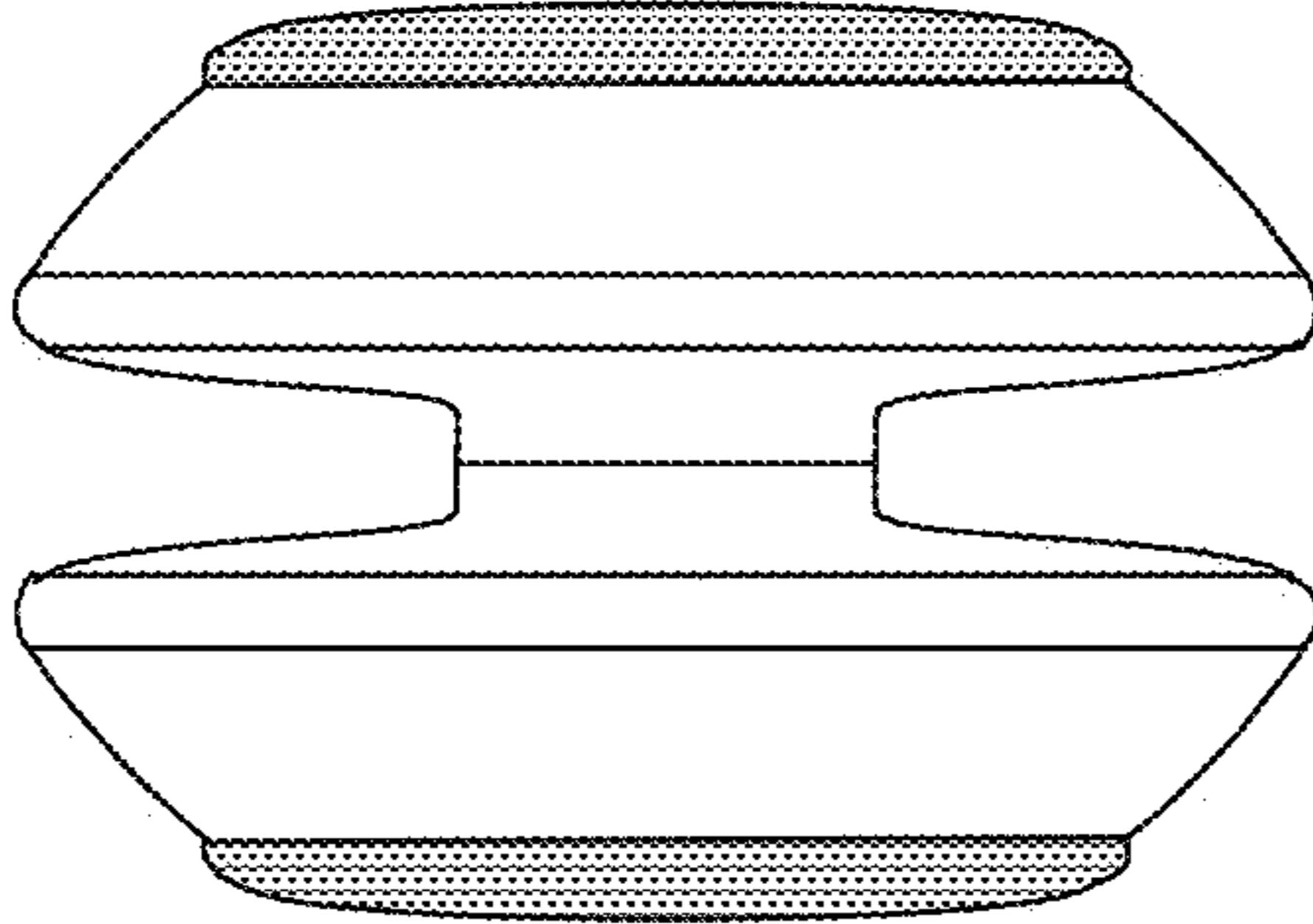


Fig. 15