

US00D763629S

(12) **United States Design Patent**  
**Swartz et al.**

(10) **Patent No.:** **US D763,629 S**  
(45) **Date of Patent:** **\*\* Aug. 16, 2016**

(54) **LUNCH BOX**

(71) Applicant: **Lifetime Brands, Inc.**, Garden City, NY (US)

(72) Inventors: **John Roscoe Swartz**, Ridgewood, NJ (US); **Wei Young**, Auburndale, NY (US)

(73) Assignee: **LIFETIME BRANDS, INC.**, Garden City, NY (US)

(\*\*) Term: **14 Years**

(21) Appl. No.: **29/519,467**

(22) Filed: **Mar. 5, 2015**

(51) **LOC (10) Cl.** ..... **07-01**

(52) **U.S. Cl.**  
USPC ..... **D7/629**

(58) **Field of Classification Search**  
USPC ..... D7/629, 602, 630, 538–542, 601;  
D9/415–419, 424–432  
CPC .. B65D 1/26; B65D 43/0206; B65D 43/0214;  
B65D 43/00; B65D 1/00; B65D 1/22; B65D  
1/32; B65D 1/14; B65D 1/24; B65D 1/34;  
B65D 3/00; B65D 3/02; B65D 3/28; B65D  
5/00; B65D 5/0085; B65D 5/009; B65D 5/18;  
B65D 7/00; B65D 7/02; B65D 11/00; B65D  
11/02; B65D 11/10; B65D 39/00; A47J  
47/02; A47J 47/08; A47J 47/10; A47G 19/00;  
A47G 19/32

See application file for complete search history.

(56) **References Cited**

**U.S. PATENT DOCUMENTS**

D115,160 S *	6/1939	Stopa	.....	D15/89
D269,249 S *	6/1983	Cillario	.....	D9/424
D290,344 S *	6/1987	Toms	.....	D9/424
D418,749 S *	1/2000	Chang	.....	D7/602
D479,954 S *	9/2003	Kim	.....	D7/629
D481,910 S *	11/2003	Kim	.....	D7/629

D531,025 S *	10/2006	Tanner	.....	D9/426
D544,762 S *	6/2007	Zimmerman	.....	D7/601
D551,515 S *	9/2007	Ablo	.....	D7/629
D562,083 S *	2/2008	Lown	.....	D7/629
D566,484 S *	4/2008	George	.....	D3/294
D610,878 S *	3/2010	Kim	.....	D7/629
D617,150 S *	6/2010	Olivari	.....	D7/629
D617,151 S *	6/2010	Olivari	.....	D7/629
D642,868 S *	8/2011	Shah	.....	D7/538
D650,268 S *	12/2011	Gibson	.....	D9/420
D651,479 S *	1/2012	Nie	.....	D7/629
D653,915 S *	2/2012	George	.....	D7/629
D657,203 S *	4/2012	Palotto	.....	D7/629
D660,092 S *	5/2012	Kyung	.....	D7/629
D660,095 S *	5/2012	Kyung	.....	D7/629
D682,045 S *	5/2013	Myoung	.....	D7/629
D682,052 S *	5/2013	Thomas	.....	D7/629
D692,281 S *	10/2013	George	.....	D7/629
D696,075 S *	12/2013	Mashike	.....	D7/605
D698,206 S *	1/2014	Molayem	.....	D7/629
D698,614 S *	2/2014	Duvigneau	.....	D7/629
D700,483 S *	3/2014	Yessin	.....	D7/629
D708,913 S *	7/2014	Ng	.....	D7/629

(Continued)

*Primary Examiner* — Ian Simmons

*Assistant Examiner* — Shannon Morgan

(74) *Attorney, Agent, or Firm* — Tutujian & Bitetto, P.C.

(57) **CLAIM**

The ornamental design for a lunch box, as shown and described.

**DESCRIPTION**

FIG. 1 is a perspective view of the lunch box showing our new design;

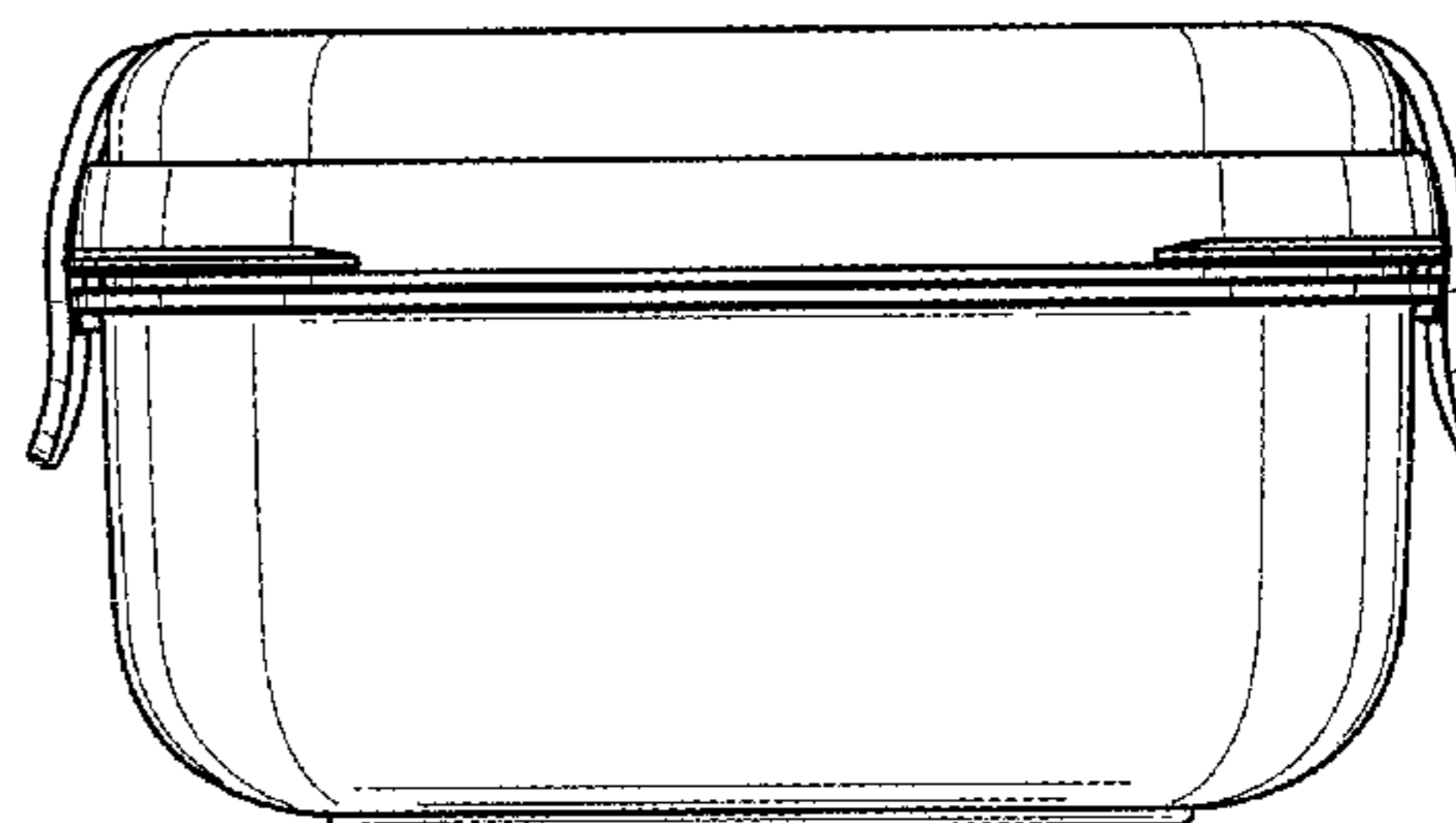
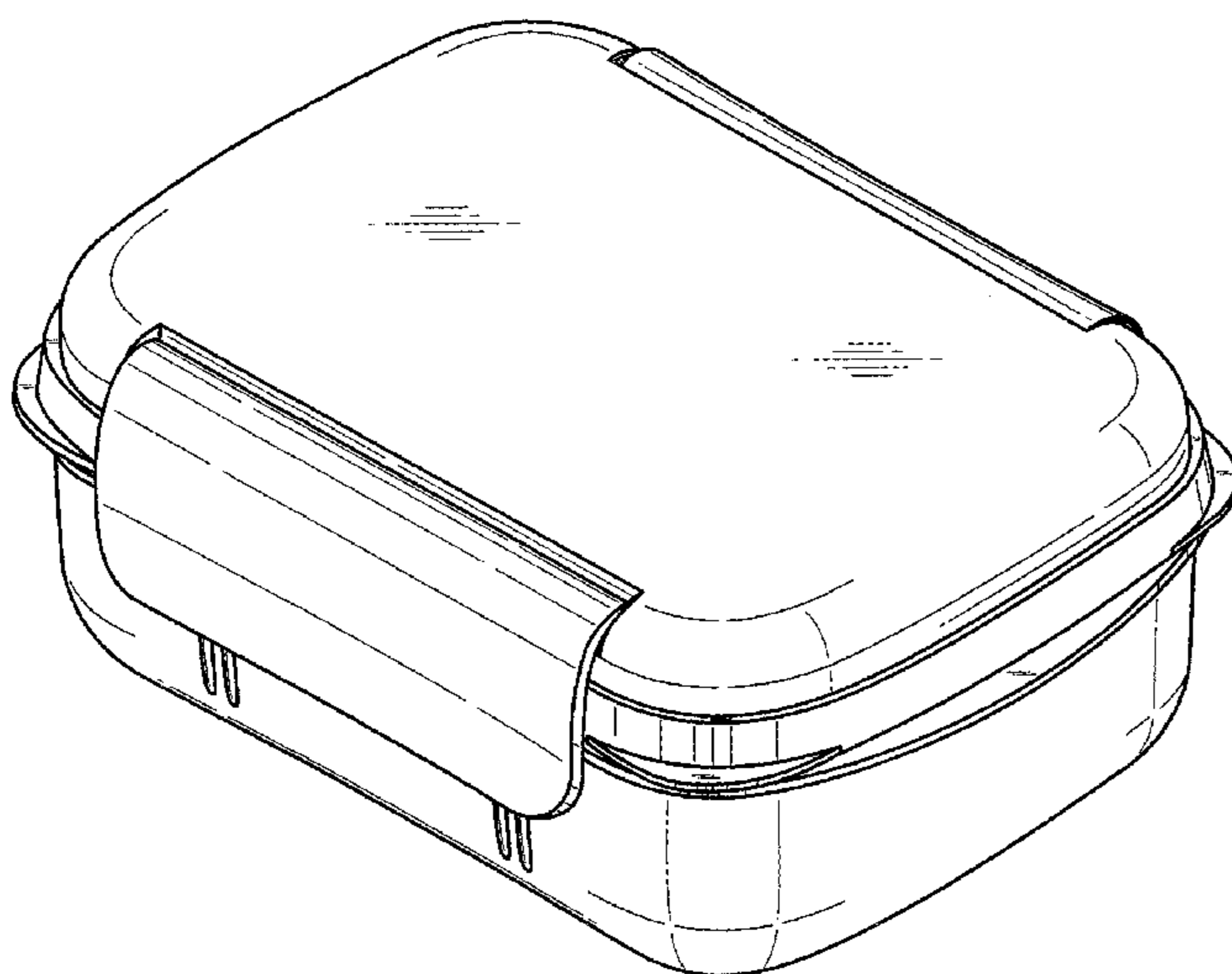
FIG. 2 is a front view thereof, the rear view being identical to the front view;

FIG. 3 is a left side view thereof, the right side view being identical to the left side view;

FIG. 4 is a top view thereof; and,

FIG. 5 is a bottom view thereof.

**1 Claim, 4 Drawing Sheets**



# US D763,629 S

Page 2

---

(56)

## References Cited

### U.S. PATENT DOCUMENTS

D718,983 S \* 12/2014 Yessin ..... D7/629  
D722,832 S \* 2/2015 Ra ..... D7/602  
D733,503 S \* 7/2015 Bagley ..... D7/629

D736,569 S \* 8/2015 Bronwasser ..... D7/629  
D741,665 S \* 10/2015 Bagley ..... D7/629  
D741,703 S \* 10/2015 Janson ..... D9/424  
D743,751 S \* 11/2015 Stokke ..... D7/629

\* cited by examiner

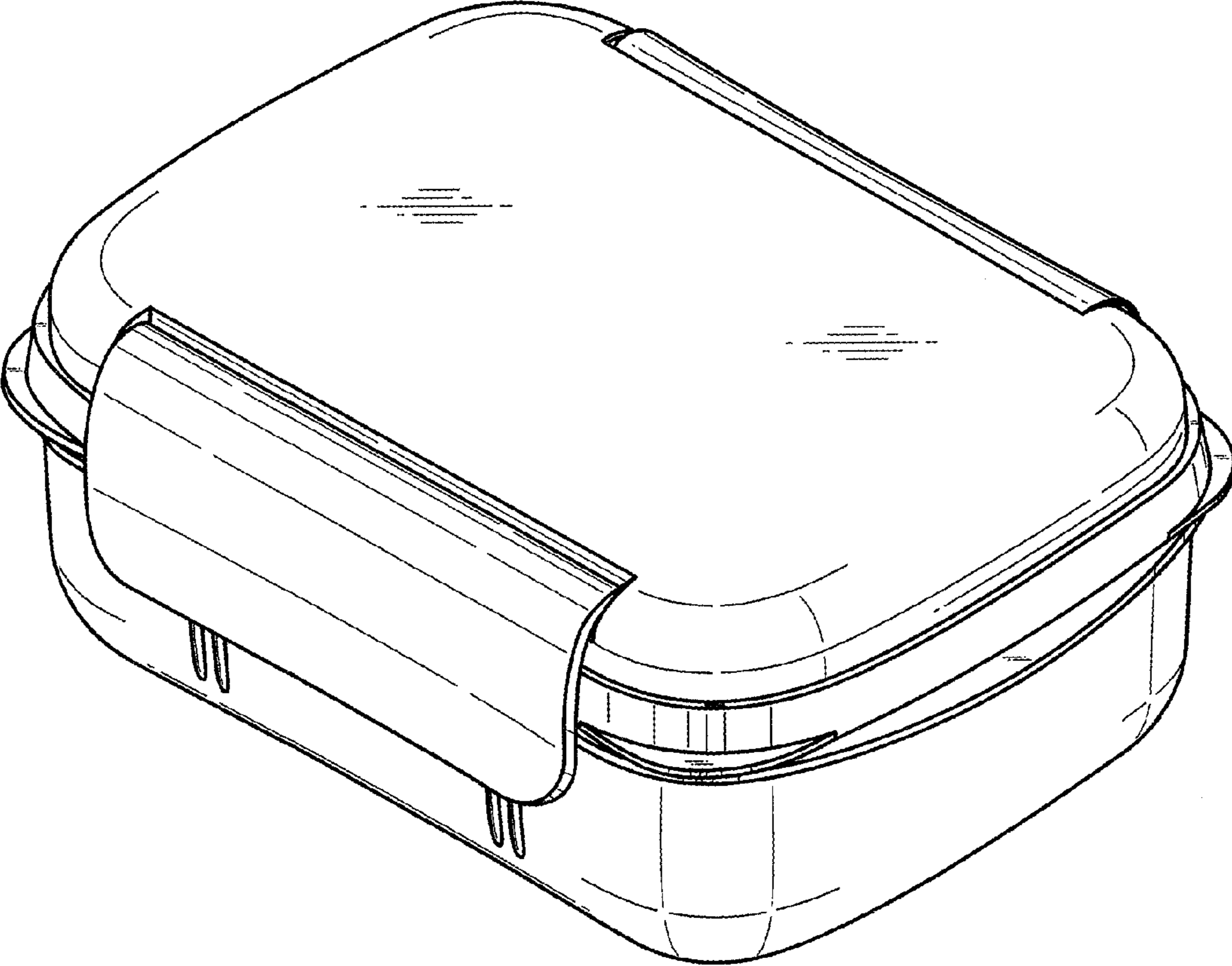


FIG. 1

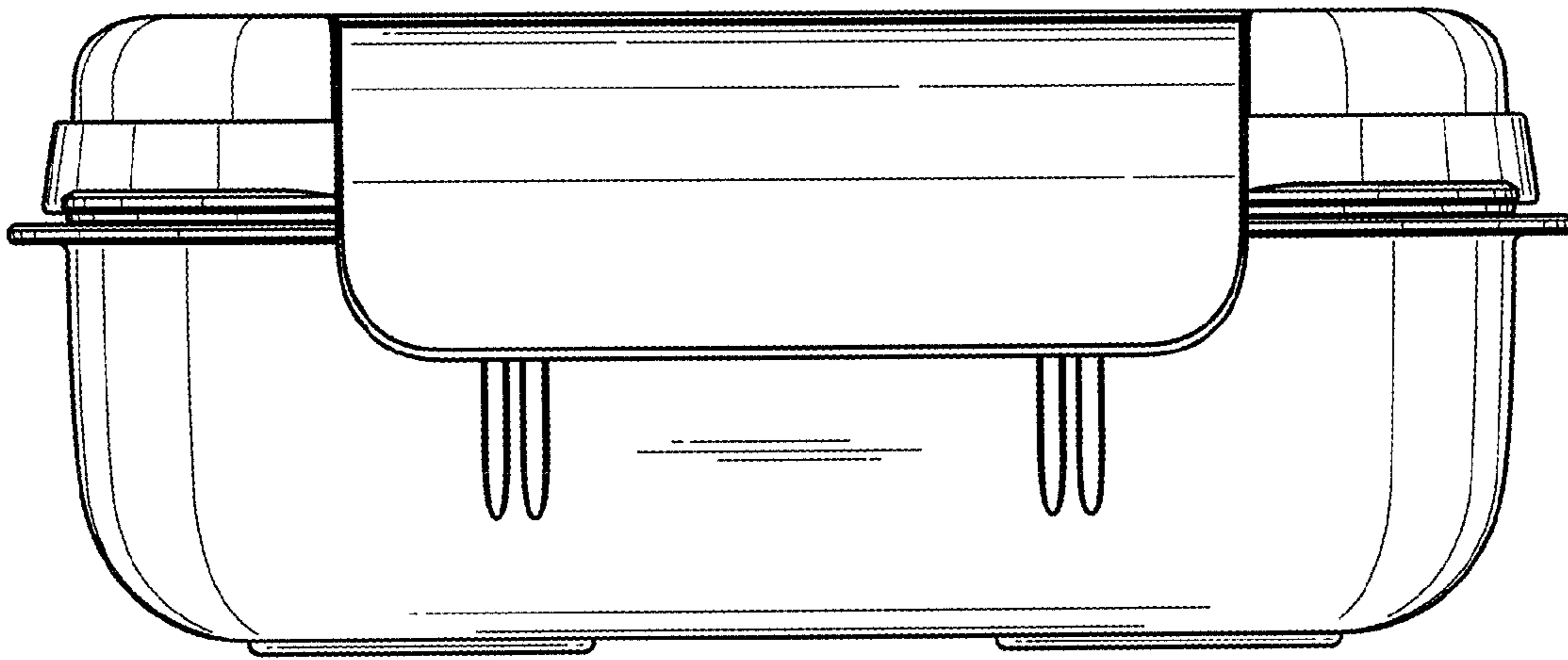


FIG. 2

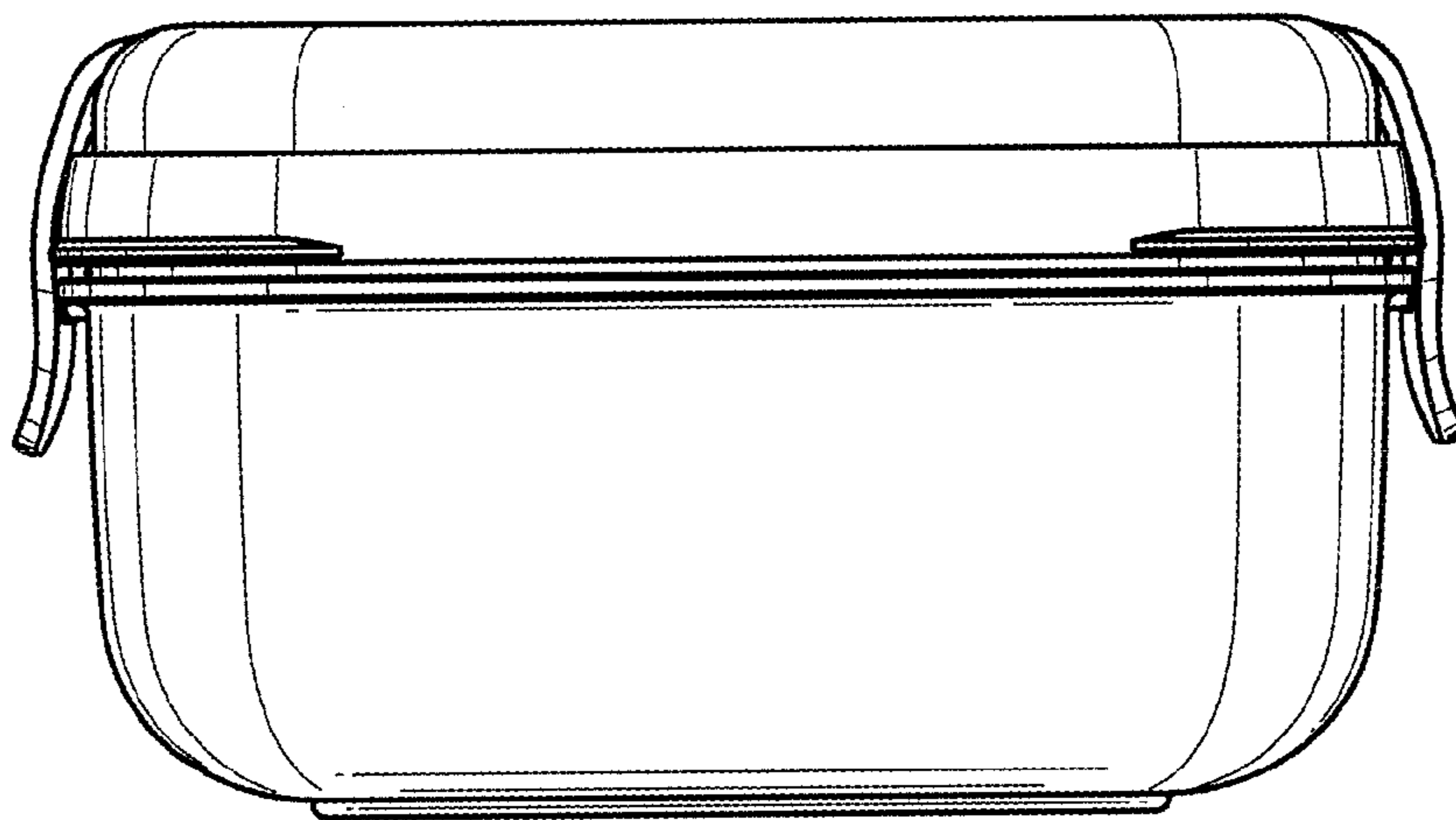


FIG. 3

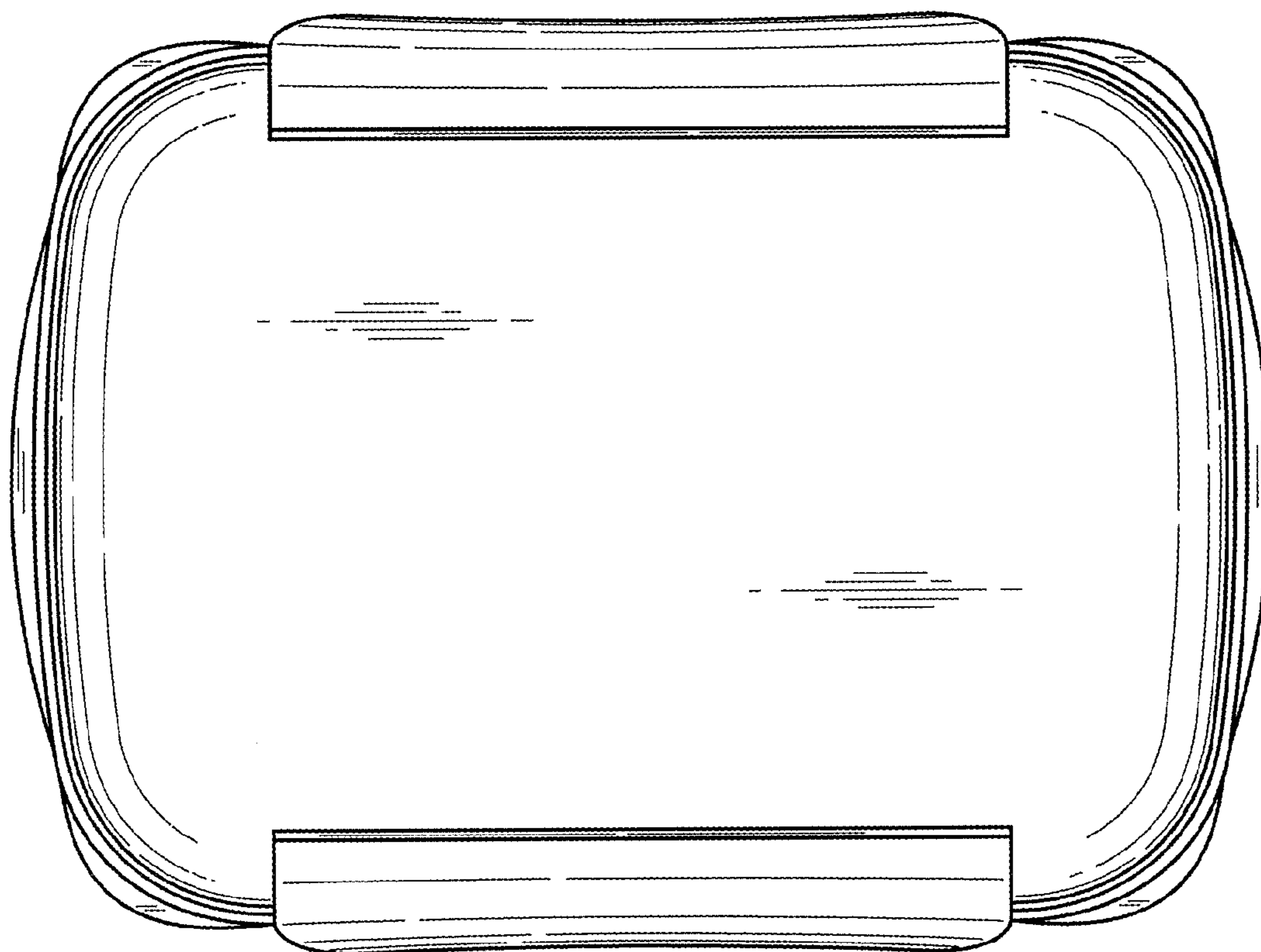


FIG. 4



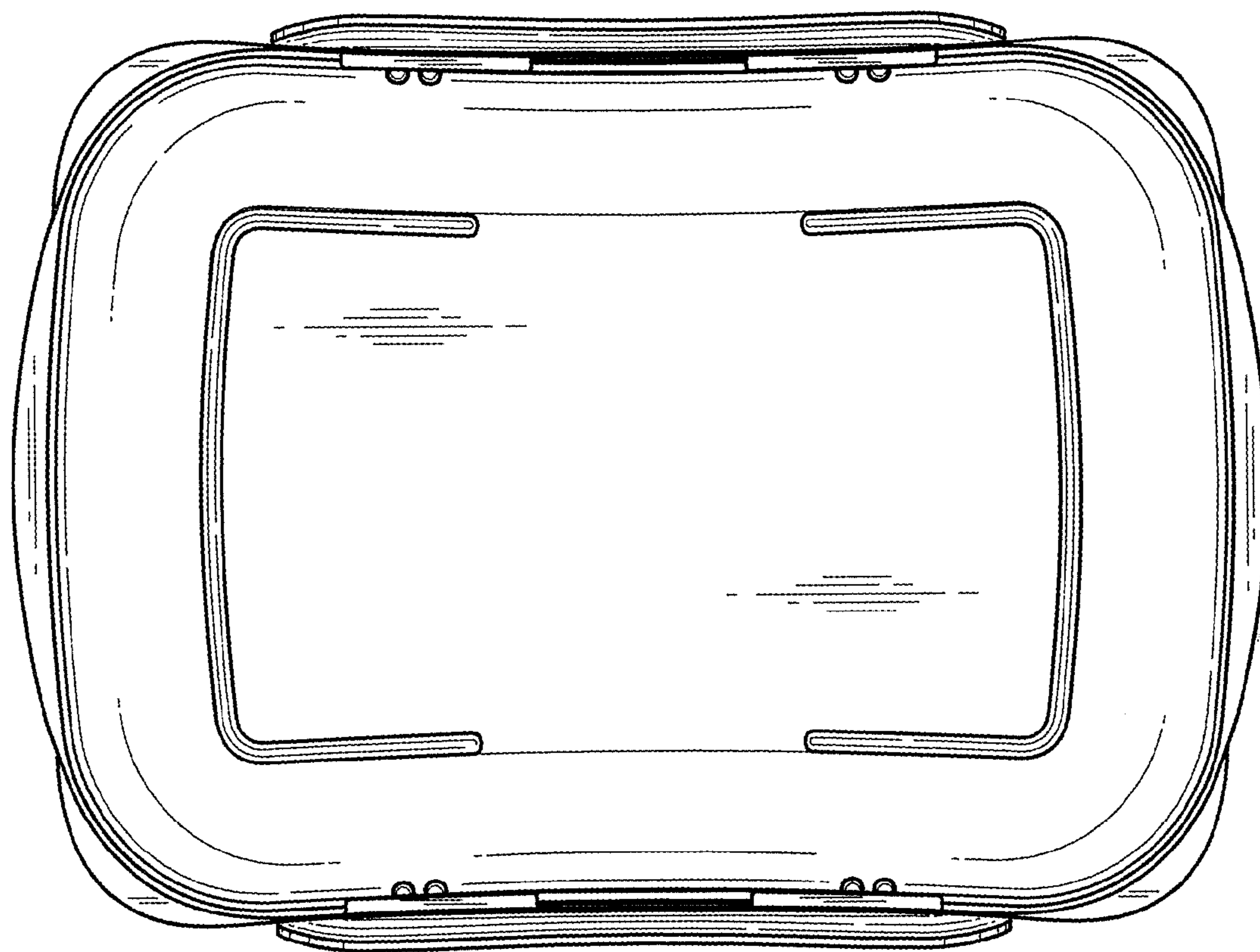


FIG. 5