



US00D763628S

(12) **United States Design Patent**  
**Griffin et al.**

(10) **Patent No.:** **US D763,628 S**

(45) **Date of Patent:** **\*\* \*Aug. 16, 2016**

(54) **SHOT GLASS HOLDER**

(71) Applicants: **Jason Griffin**, St. Charles, MO (US);  
**William Engels**, St. Charles, MO (US)

(72) Inventors: **Jason Griffin**, St. Charles, MO (US);  
**William Engels**, St. Charles, MO (US)

(\*) Notice: This patent is subject to a terminal disclaimer.

(\*\*) Term: **14 Years**

(21) Appl. No.: **29/493,852**

(22) Filed: **Aug. 22, 2014**

(51) **LOC (10) Cl.** ..... **07-06**

(52) **U.S. Cl.**  
USPC ..... **D7/620**

(58) **Field of Classification Search**  
USPC ..... D7/500, 501, 503, 505, 507, 509, 510,  
D7/511, 512, 523, 529, 530, 531, 514, 515,  
D7/553.4, 553.5, 553.6, 554.1, 553.7,  
D7/553.8, 554.2, 555, 543, 542, 545, 540,  
D7/546, 547, 548, 549, 552.1, 557, 566,  
D7/586, 587, 601, 602, 600.1, 600, 708.1,  
D7/708, 619.1, 620, 622, 632, 664, 400,  
D7/388, 701, 396.3; D30/129, 130;  
D11/143; D32/54, 53.1, 73;  
220/592.16, 592.17, 23.4, 23.83;  
D9/455, 456, 499; D3/201, 202, 315,  
D3/318  
CPC ..... A47G 23/08; A47G 19/32; A47G  
2019/2277; A47G 19/2216; A47G 19/2211;  
A47G 19/22; B65D 21/02; B65D 1/265;  
A45F 2003/205; A45F 3/20

See application file for complete search history.

(56) **References Cited**

U.S. PATENT DOCUMENTS

1,716,725	A *	6/1929	Gruber .....	A47J 27/002 220/23.4
1,948,932	A *	2/1934	McMickle .....	A47G 19/22 126/380.1
D139,569	S *	11/1944	O'Brien .....	220/23.4
2,508,947	A *	5/1950	Hoke .....	A47L 13/58 15/263
D160,690	S *	10/1950	Carlson .....	D7/549
D194,985	S *	4/1963	Rifkind .....	206/203
3,353,717	A *	11/1967	Clarks .....	B67D 1/02 211/74
D214,334	S *	6/1969	Kner .....	D7/546
3,738,525	A *	6/1973	Knapp .....	B65D 25/22 215/397
3,966,102	A *	6/1976	Clark .....	A47G 23/0208 211/74

(Continued)

*Primary Examiner* — Marianne Pandozzi

*Assistant Examiner* — Jae Liang

(74) *Attorney, Agent, or Firm* — Charles McCloskey

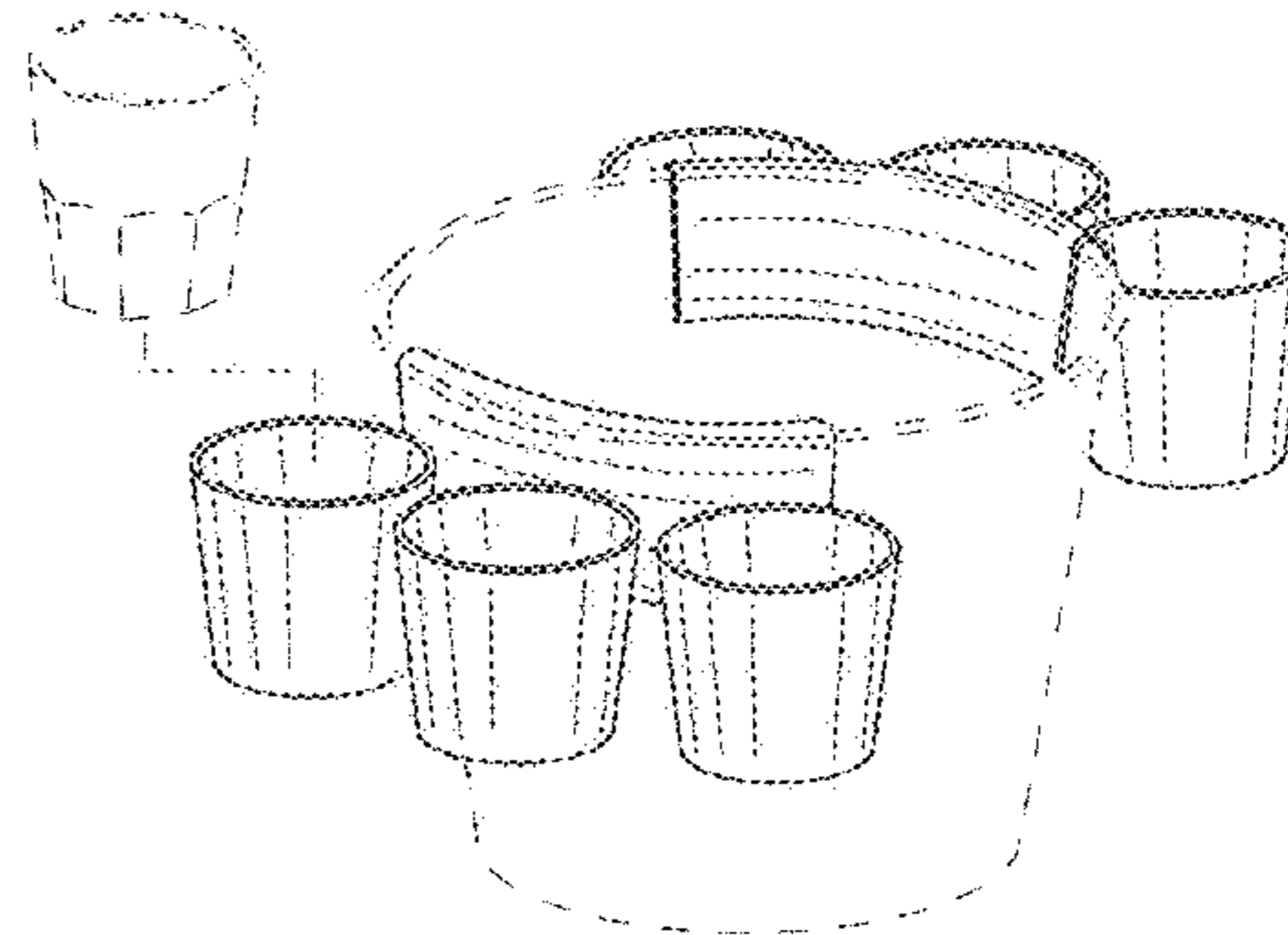
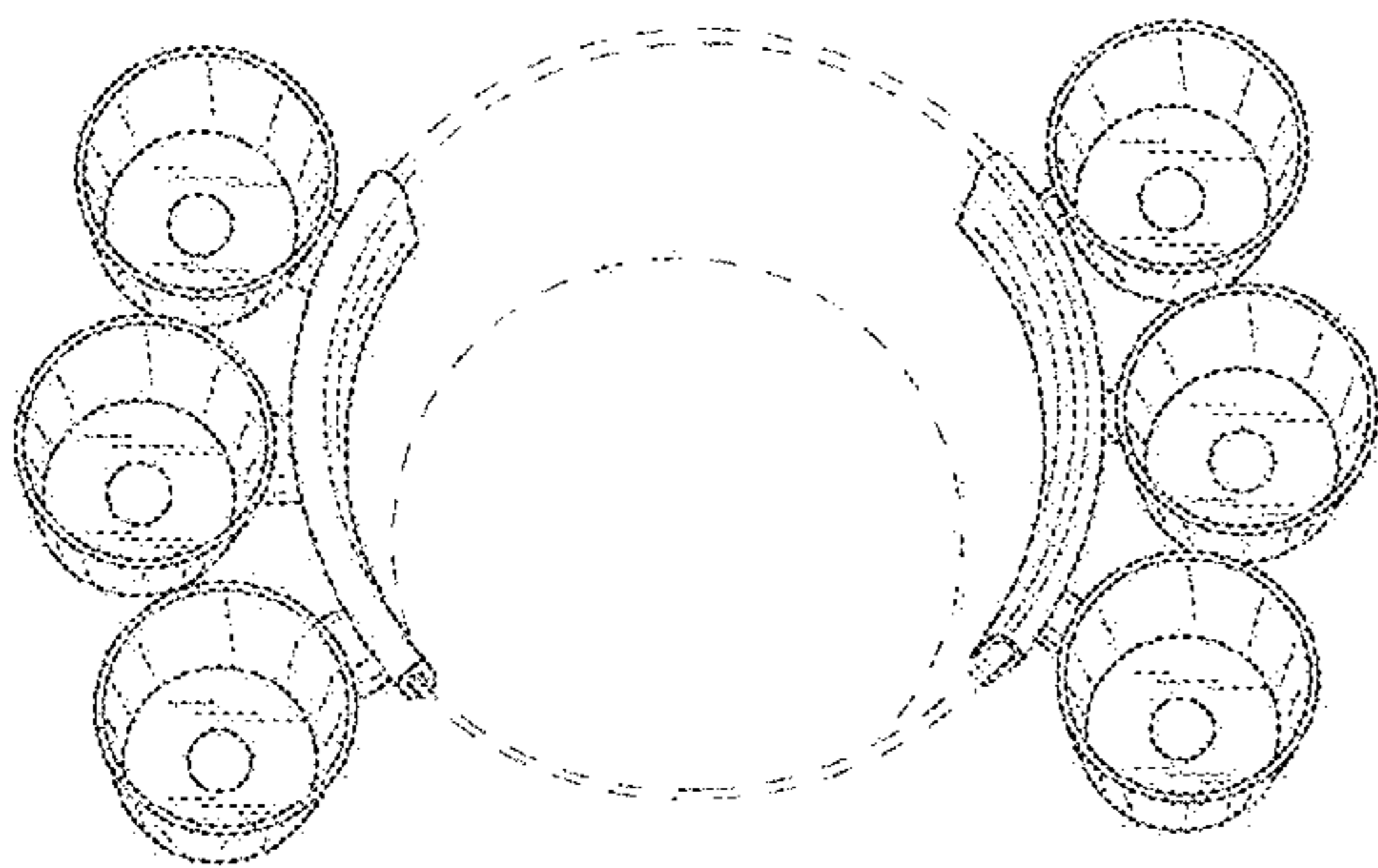
(57) **CLAIM**

The ornamental design for a shot glass holder, as shown and described.

**DESCRIPTION**

FIG. 1 is an environmental top perspective view of a shot glass holder showing our new design;  
FIG. 2 is an environmental front view thereof with the unclaimed shot glass removed for ease of illustration;  
FIG. 3 is another environmental top perspective view of FIG. 2;  
FIG. 4 is an environmental bottom perspective view of FIG. 2;  
FIG. 5 is an environmental side perspective view of FIG. 2;  
FIG. 6 is an environmental bottom elevational view of FIG. 2;  
and,  
FIG. 7 is an environmental side elevational of FIG. 2.  
In the drawings, the broken lines depict unclaimed subject matter and form no part of the claimed design.

**1 Claim, 4 Drawing Sheets**



(56)

**References Cited**

U.S. PATENT DOCUMENTS

D250,009 S \* 10/1978 Karotseris ..... D11/143  
 4,407,092 A \* 10/1983 Ware ..... A01G 31/02  
 47/64  
 D292,157 S \* 10/1987 Robinson ..... D7/505  
 4,765,472 A \* 8/1988 Dent ..... B25H 3/00  
 206/373  
 D300,970 S \* 5/1989 Walker ..... D32/53  
 D345,052 S \* 3/1994 Stokke ..... D11/143  
 D376,454 S \* 12/1996 Fierek ..... D3/905  
 5,941,381 A \* 8/1999 James ..... A47L 13/51  
 206/229  
 6,520,366 B1 \* 2/2003 Bradley ..... A47G 19/065  
 220/23.2  
 D505,833 S \* 6/2005 Ahearn ..... D7/549  
 D556,510 S \* 12/2007 Meuser ..... D7/513  
 D607,275 S \* 1/2010 Griffith ..... D7/505

D618,861 S \* 6/2010 Bahnean ..... D30/130  
 D624,360 S \* 9/2010 Leavelle ..... D7/501  
 D668,545 S \* 10/2012 Cox ..... D9/455  
 8,371,473 B2 \* 2/2013 Scribner ..... A01G 9/022  
 220/23.2  
 D688,085 S \* 8/2013 Harris ..... D7/354  
 D696,072 S \* 12/2013 Hsu ..... D7/505  
 D713,207 S \* 9/2014 Hickox ..... D7/543  
 8,967,562 B1 \* 3/2015 Bileth ..... A47G 23/0225  
 220/23.2  
 9,119,490 B1 \* 9/2015 Parodi, Jr. .... A47G 19/2205  
 2008/0149650 A1 \* 6/2008 Kim ..... A47G 19/2216  
 220/716  
 2011/0084087 A1 \* 4/2011 Scribner ..... A01G 9/022  
 220/751  
 2013/0233011 A1 \* 9/2013 Wolf ..... F25D 3/08  
 62/457.5  
 2013/0277375 A1 \* 10/2013 Hickox ..... A47G 23/0633  
 220/575

\* cited by examiner

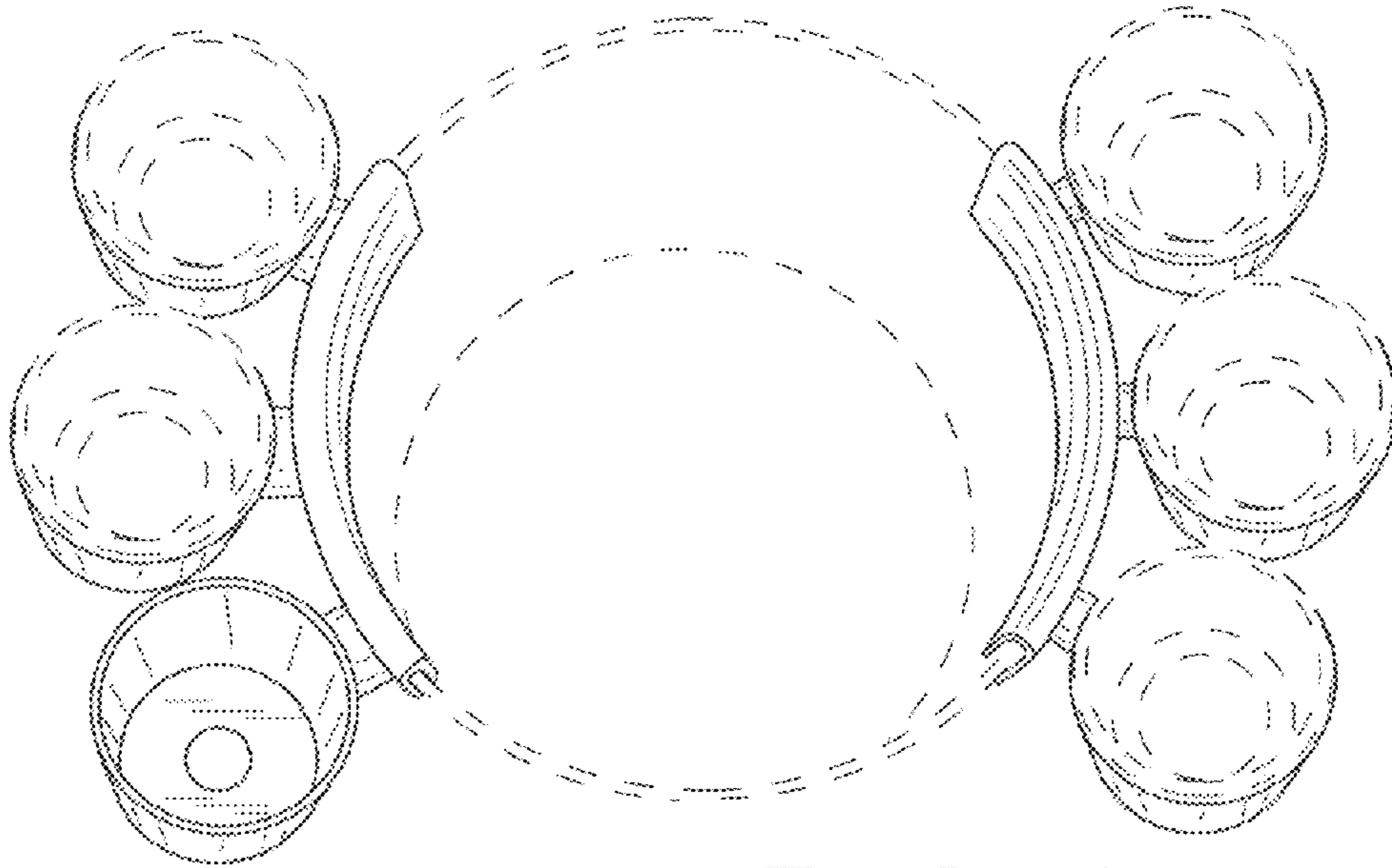


FIG. 1

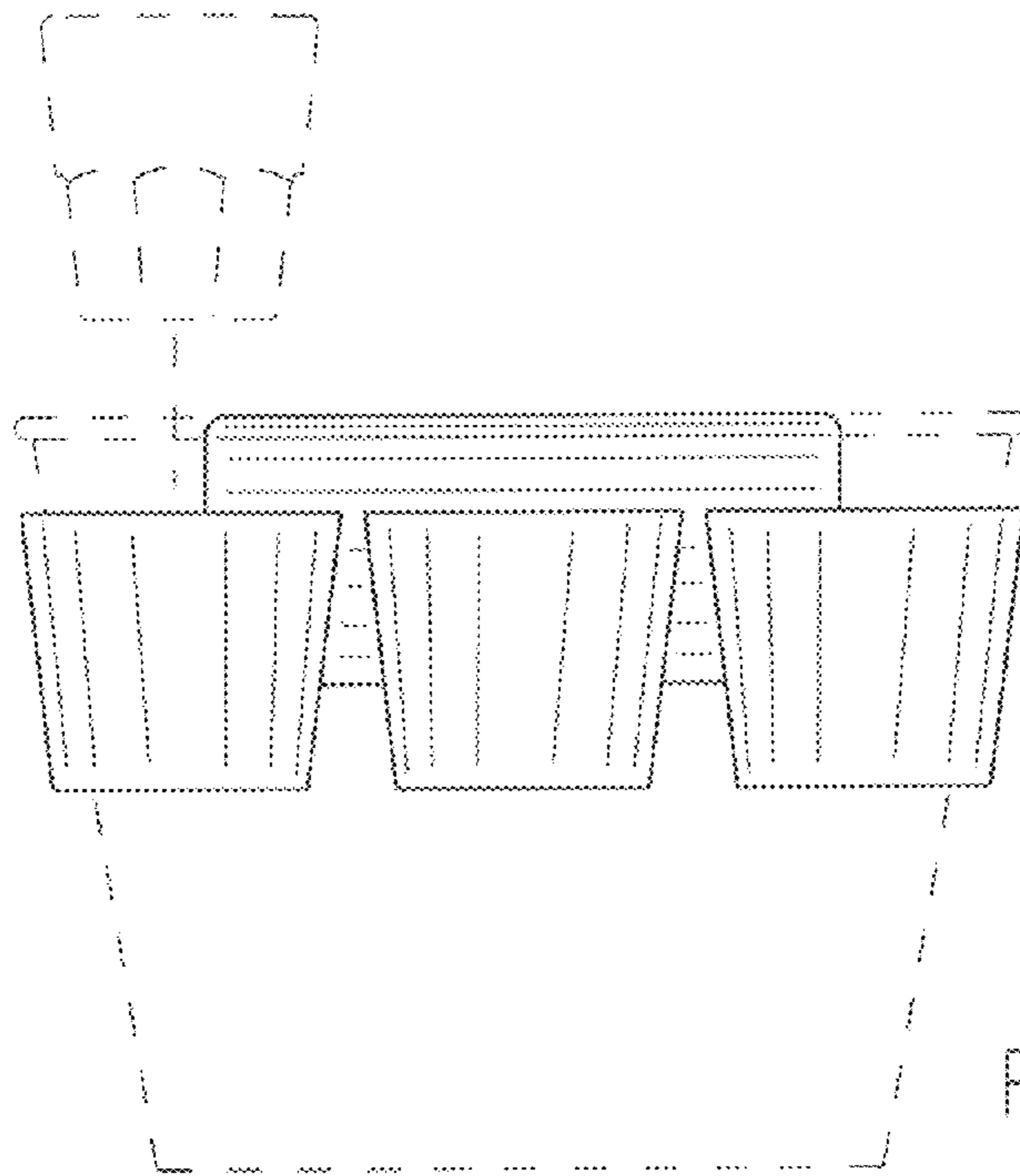


FIG. 2

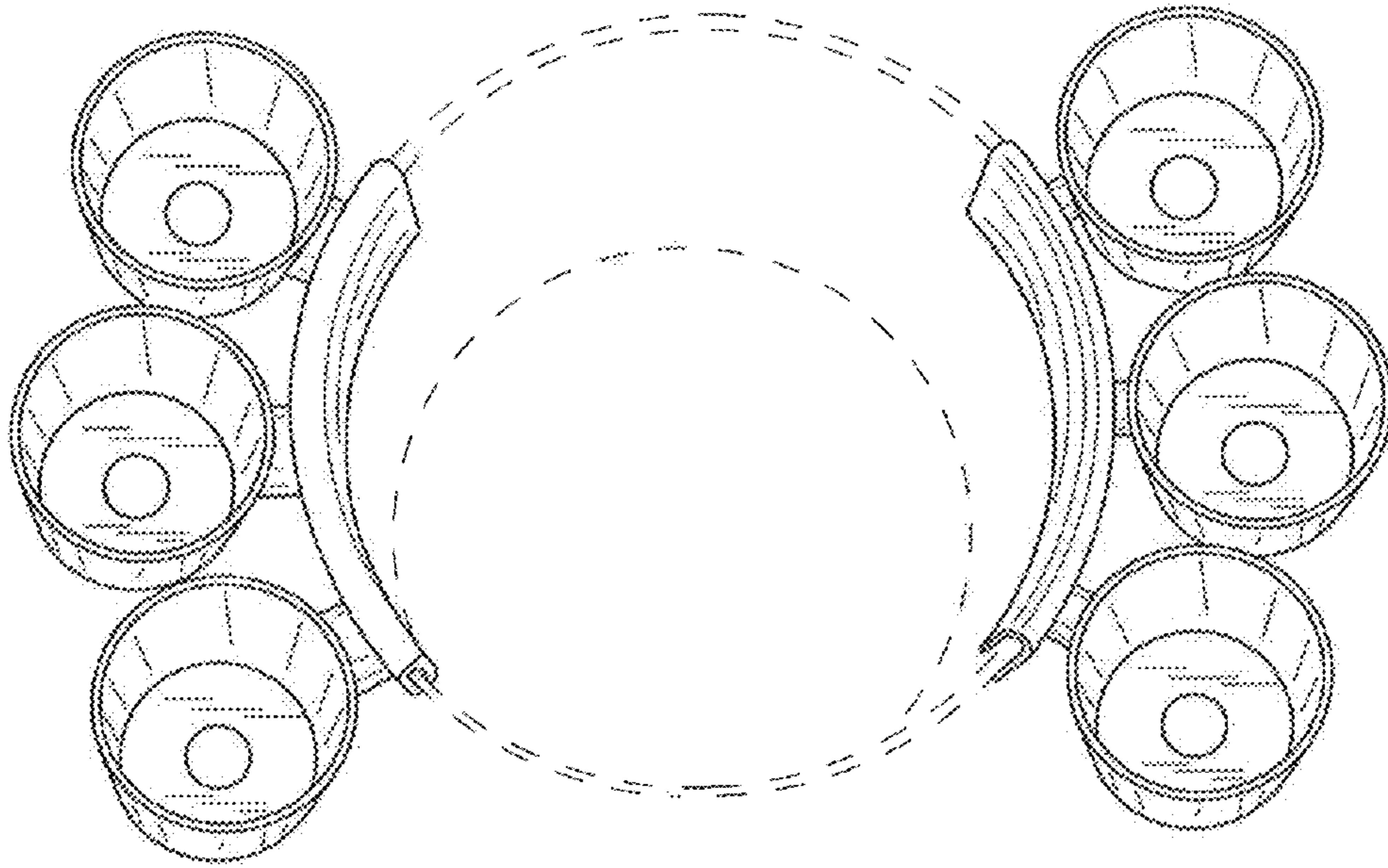


FIG. 3

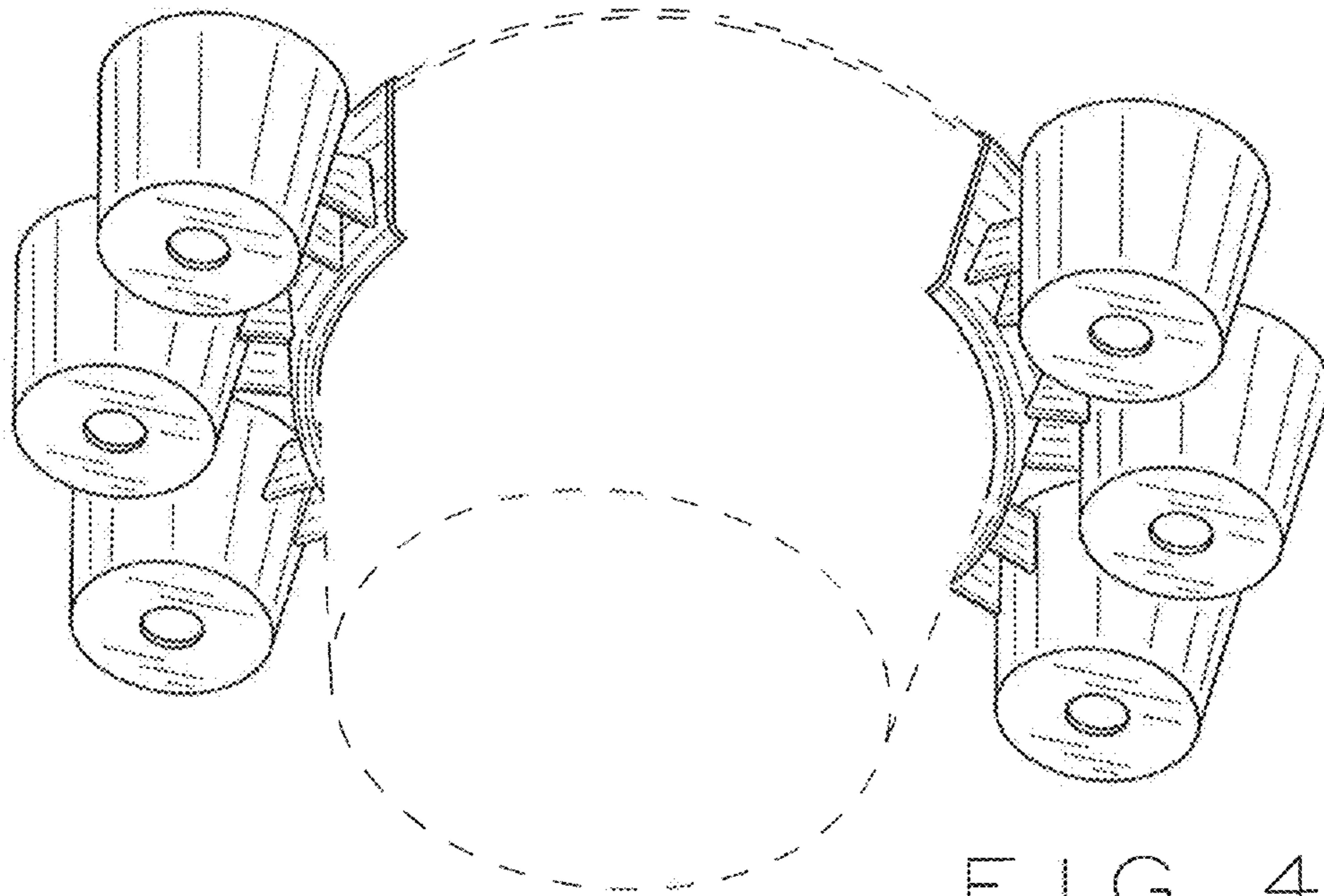


FIG. 4

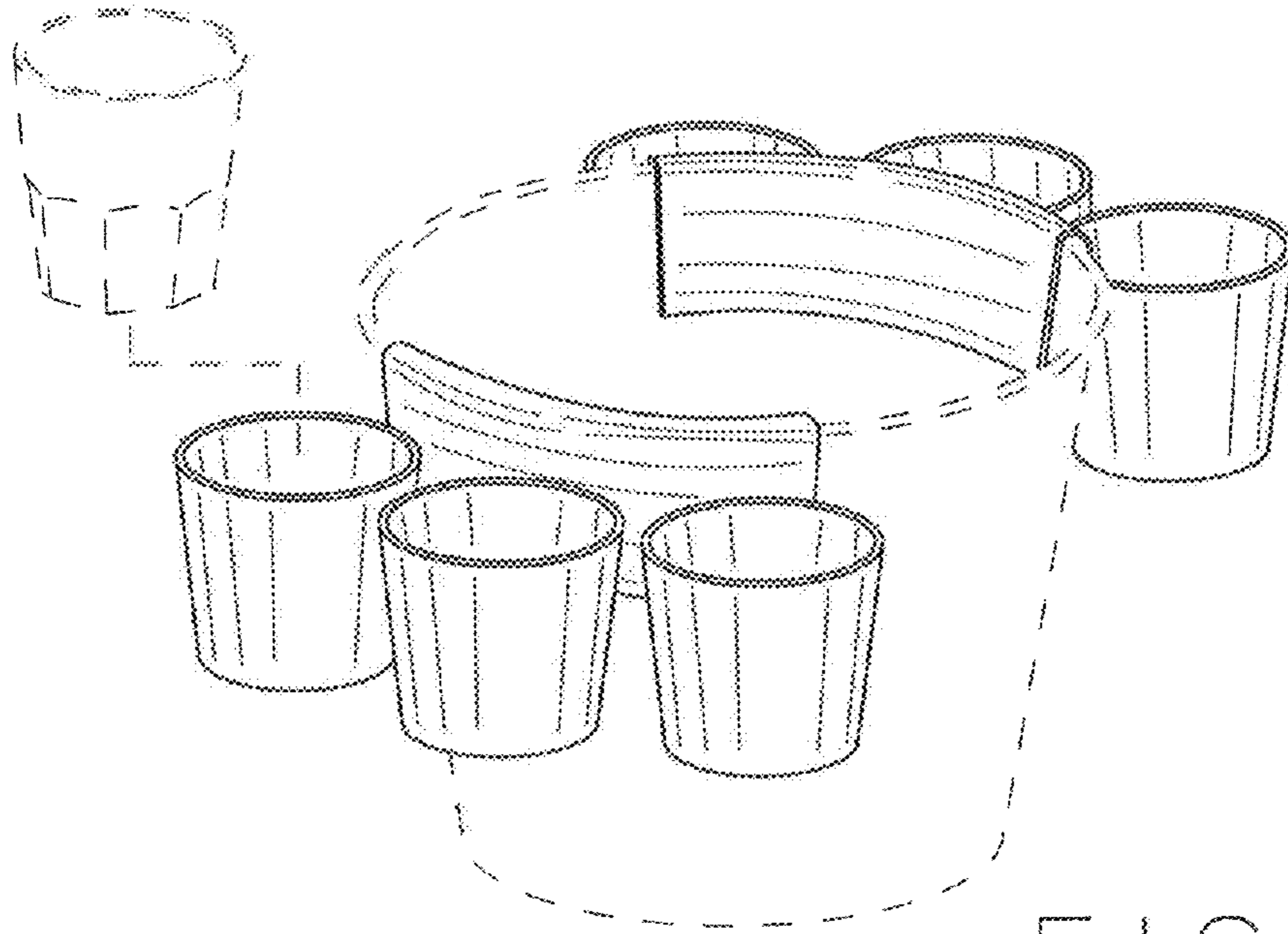


FIG. 5

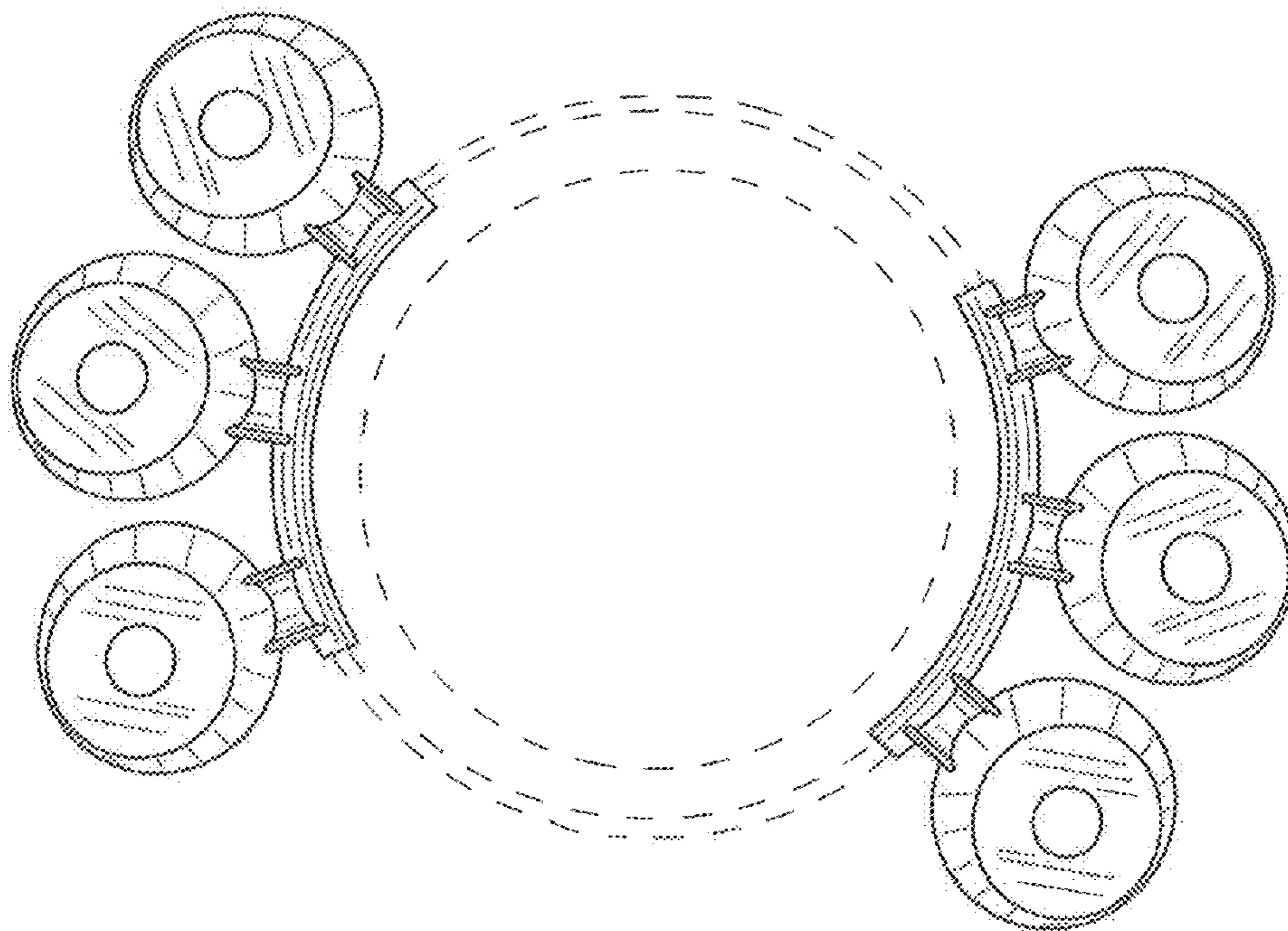


FIG. 6

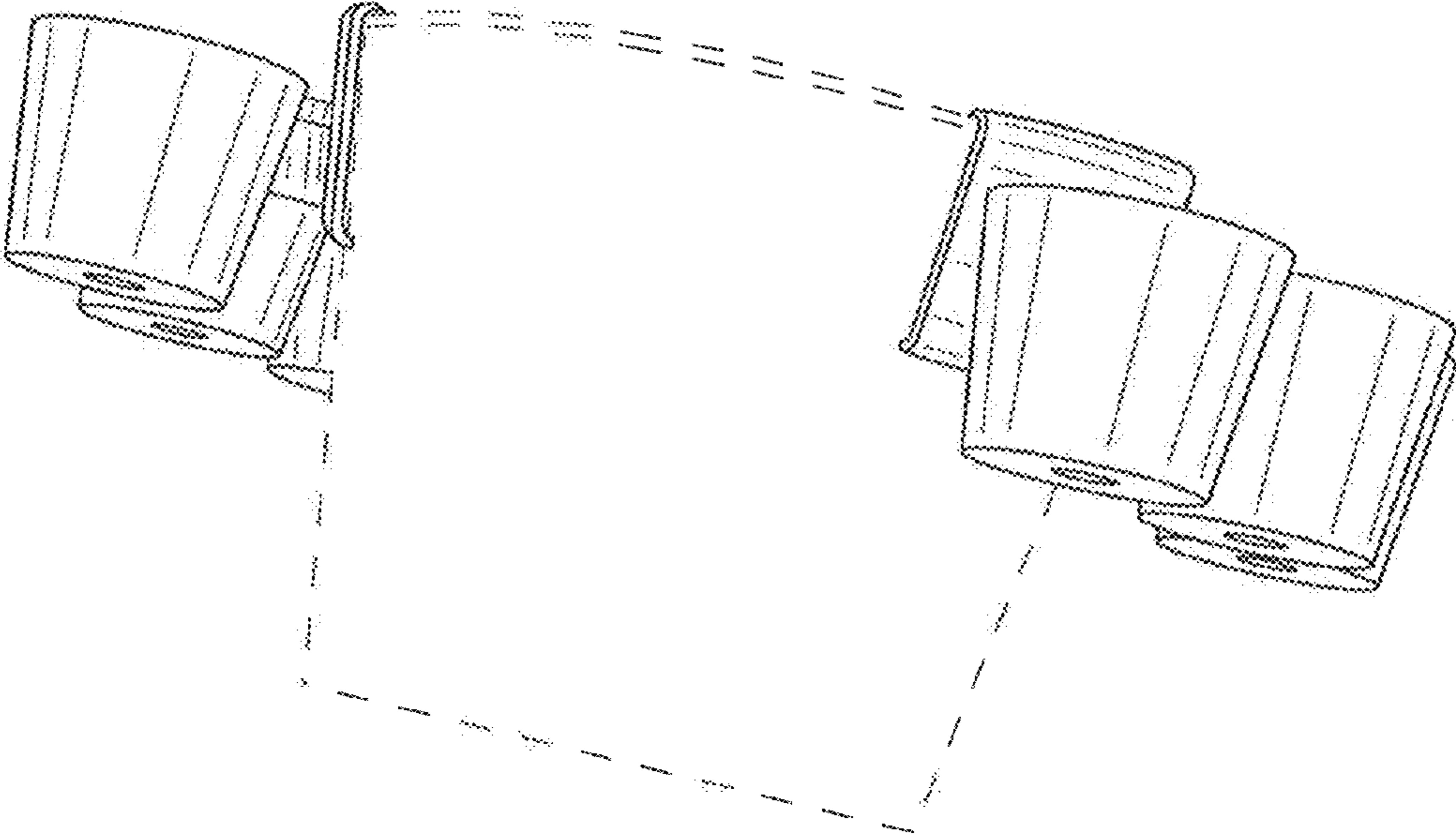


FIG. 7