



US00D763625S

(12) **United States Design Patent**
Wright

(10) **Patent No.:** **US D763,625 S**

(45) **Date of Patent:** **** Aug. 16, 2016**

- (54) **BOWL WITH GRIPS**
- (71) Applicant: **Leone E. L. Wright**, Surrey (CA)
- (72) Inventor: **Leone E. L. Wright**, Surrey (CA)
- (**) Term: **14 Years**
- (21) Appl. No.: **29/516,421**
- (22) Filed: **Feb. 2, 2015**

Related U.S. Application Data

- (63) Continuation-in-part of application No. 13/908,480, filed on Jun. 3, 2013, now abandoned.
- (51) **LOC (10) Cl.** **07-01**
- (52) **U.S. Cl.**
USPC **D7/545**
- (58) **Field of Classification Search**
USPC 220/574; D9/428; D7/545, 543, 500
CPC A47G 19/02
See application file for complete search history.

D499,933 S	12/2004	Rutter et al.	
D508,822 S	8/2005	Smith et al.	
D512,631 S *	12/2005	Lhoste	D7/545
7,121,422 B2	10/2006	Gitschlag et al.	
D656,792 S *	4/2012	Sink	D7/318
D657,617 S *	4/2012	Sarnoff	D7/354
8,375,895 B2 *	2/2013	Omps	A01K 1/0114 119/166
D678,050 S *	3/2013	Birchmeier	D9/424
D679,548 S *	4/2013	Chen	D7/545
D680,813 S *	4/2013	De Leo	D7/543
D684,429 S *	6/2013	Lion	D7/543
D715,594 S *	10/2014	Norland	D7/545
D735,534 S *	8/2015	Berlepsch	D7/545
D756,771 S *	5/2016	Covey	D7/400
9,345,348 B2 *	5/2016	Seiler	A47G 19/02

* cited by examiner

Primary Examiner — Cynthia Underwood

(74) *Attorney, Agent, or Firm* — Robert C. Montgomery; Montgomery Patent and Design, LP.

(57) **CLAIM**

The ornamental design for a bowl with grips, as shown and described.

DESCRIPTION

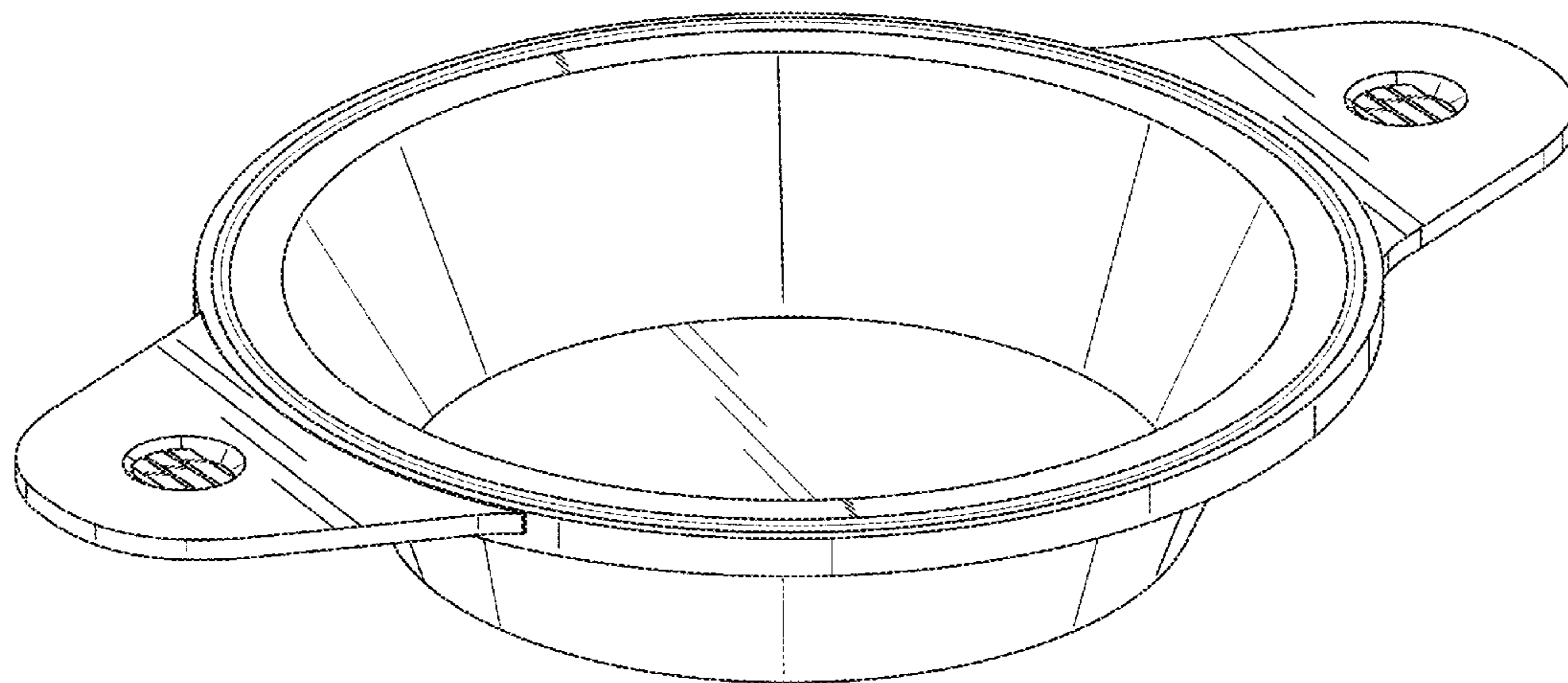
FIG. 1 is a perspective front view of the bowl with grips, showing my new design;
 FIG. 2 is a front side view with the back side view being a mirror image thereof;
 FIG. 3 is left side view with the right side view being a mirror image thereof;
 FIG. 4 is a top side view thereof; and,
 FIG. 5 is a bottom side view thereof.

1 Claim, 5 Drawing Sheets

(56) **References Cited**

U.S. PATENT DOCUMENTS

D71,003 S *	9/1926	Carlson	D32/29
D164,890 S	10/1951	Zeisel	
D246,818 S	1/1978	Breger	
D316,210 S	4/1991	Giugiaro	
D348,805 S	7/1994	Cautereels	
D373,509 S	9/1996	Bormioli	
D420,856 S *	2/2000	Yeo	D7/545
D433,878 S	11/2000	Joergensen	
D466,762 S	12/2002	Cote et al.	
D484,001 S	12/2003	Levien	



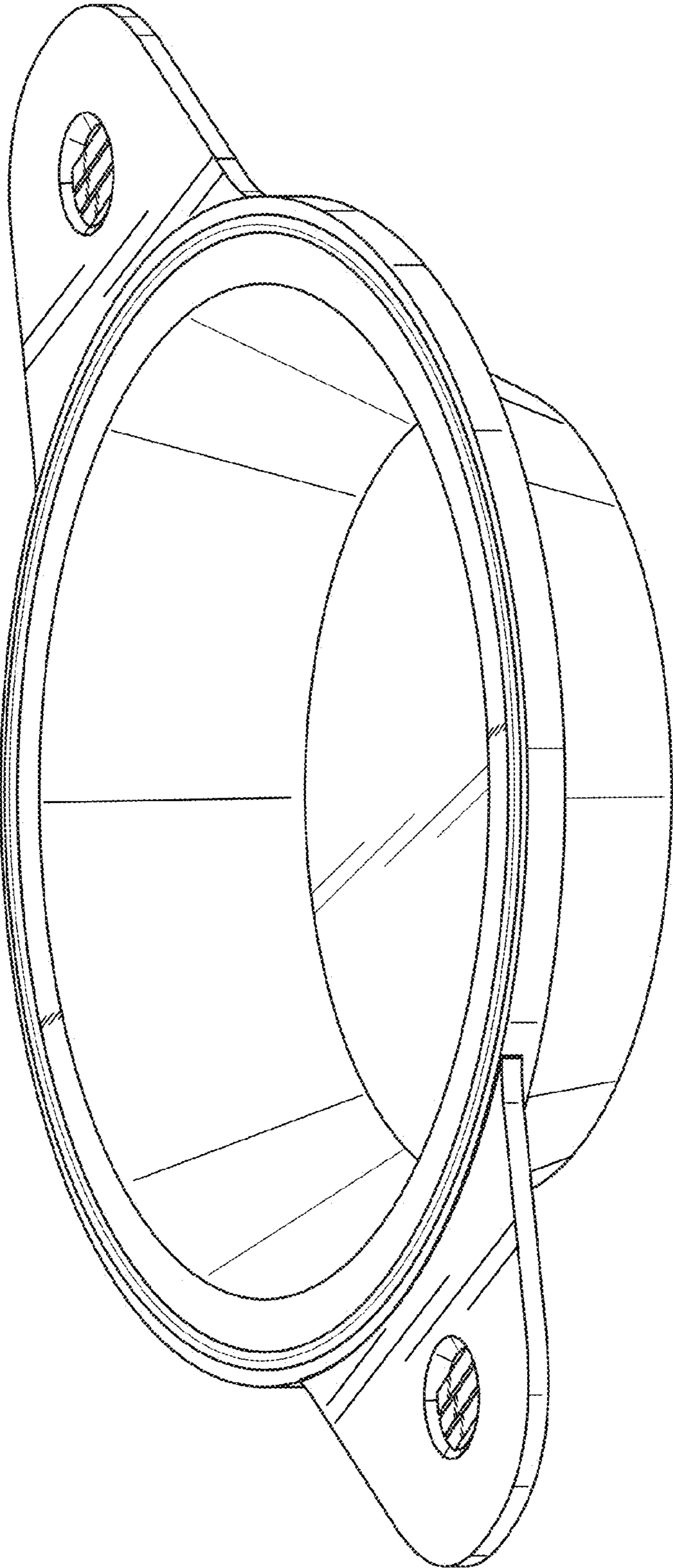


Fig. 1

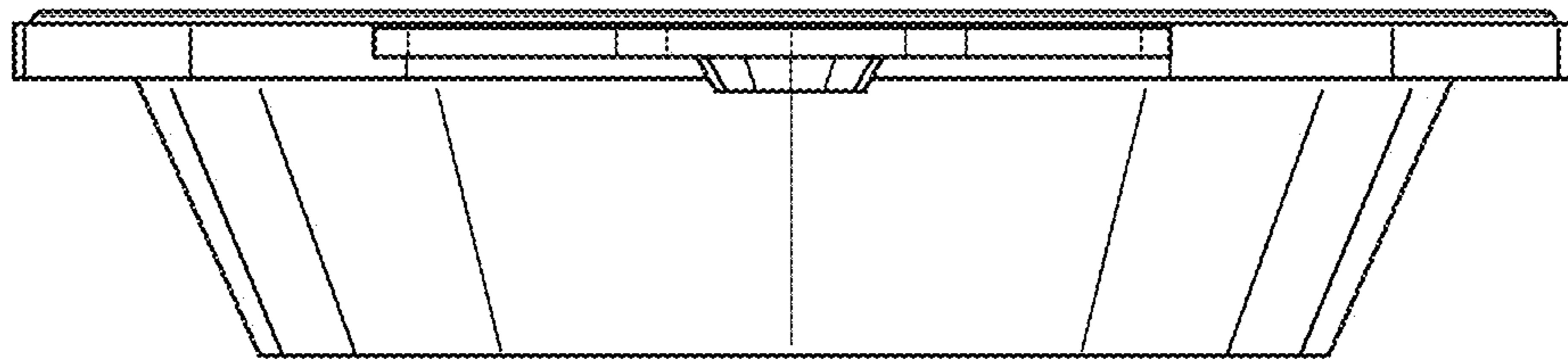


Fig. 2

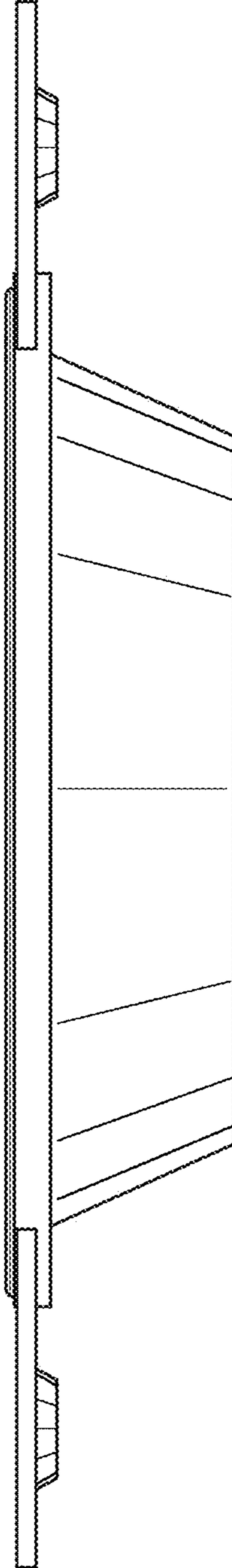


Fig. 3

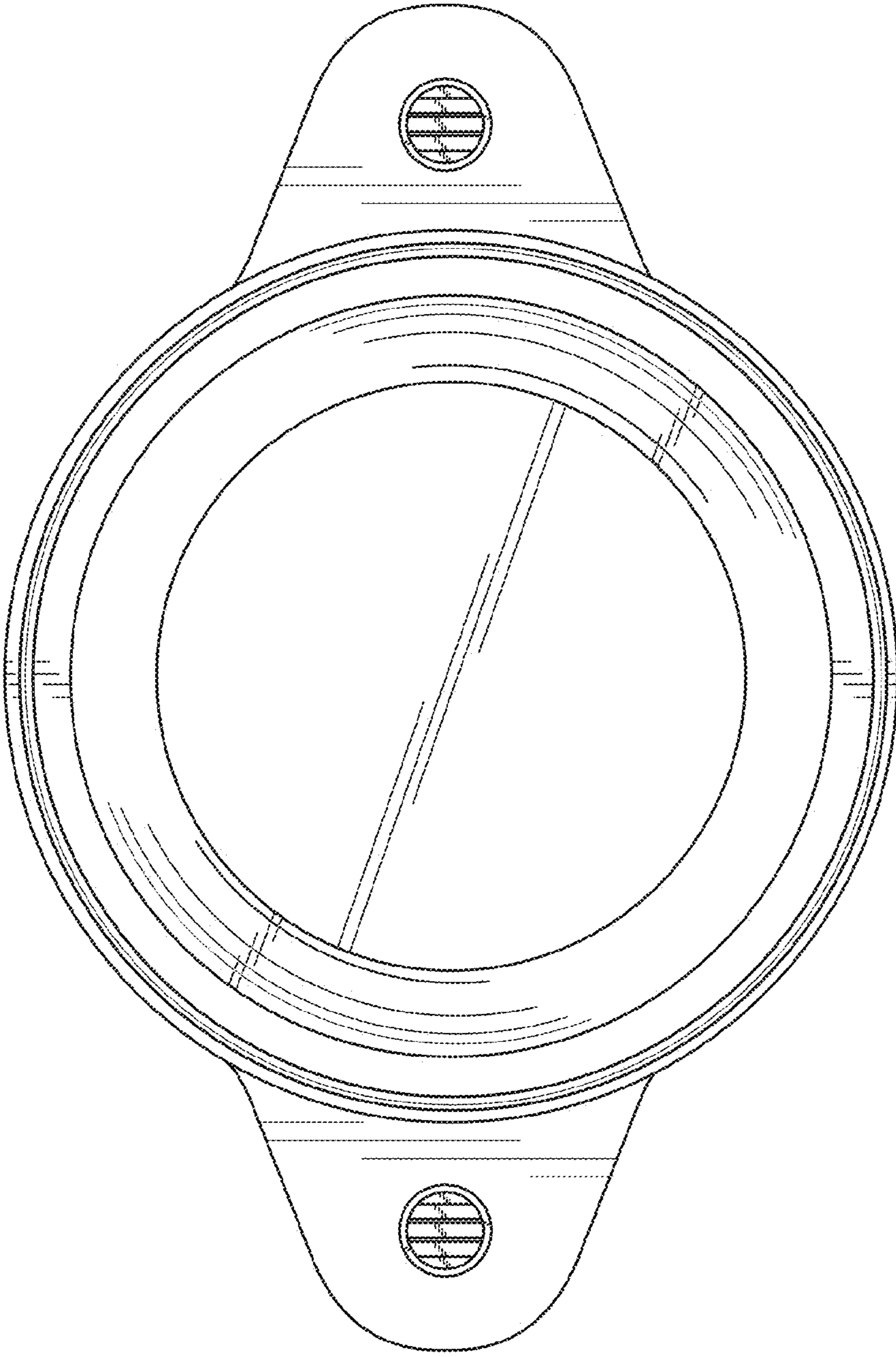


Fig. 4

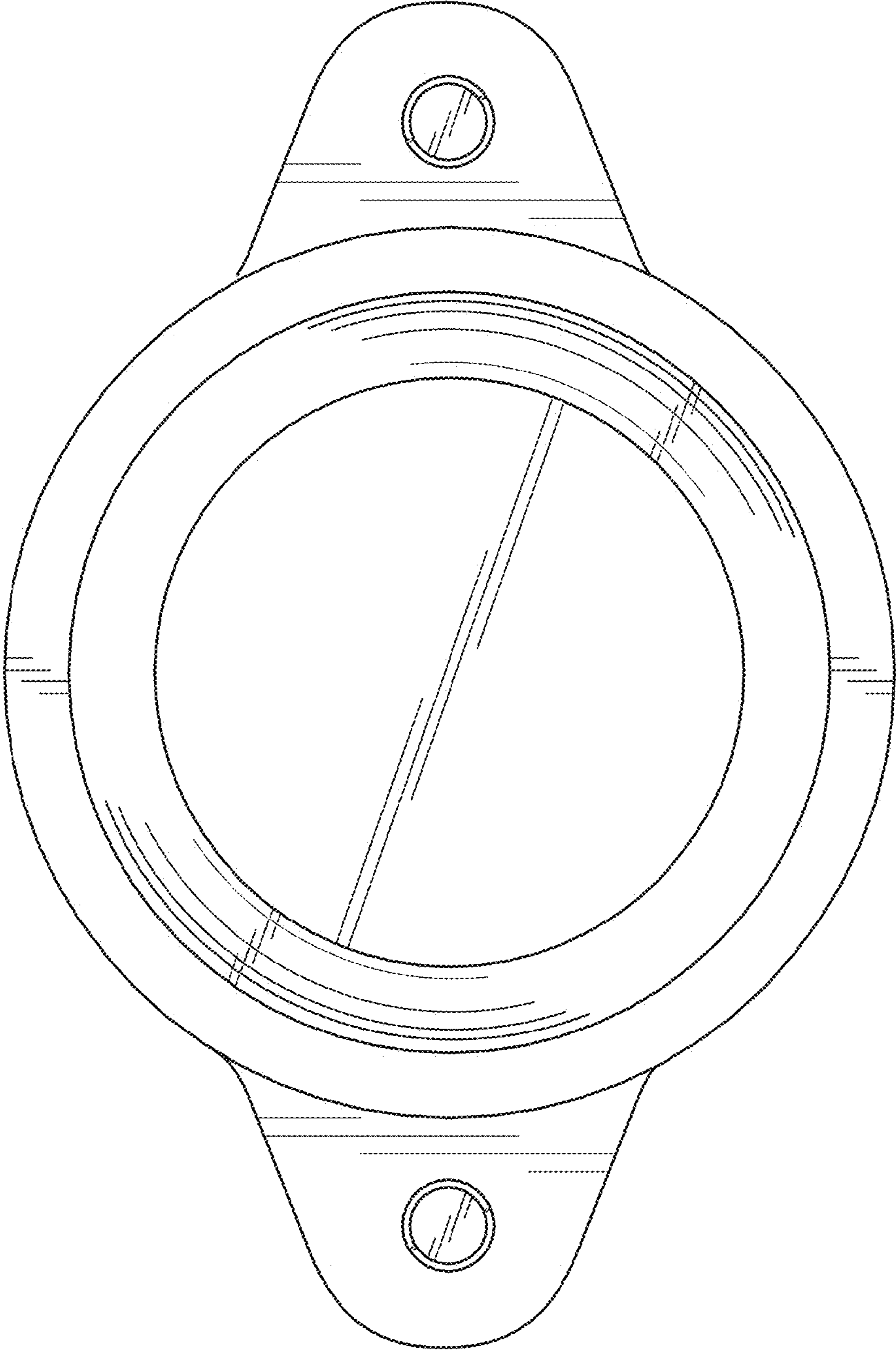


Fig. 5