



US00D763620S

(12) **United States Design Patent**
Szymanski

(10) **Patent No.:** **US D763,620 S**
(45) **Date of Patent:** **** *Aug. 16, 2016**

(54) **CONTAINER WITH INSERT AND LID**

(71) Applicant: **Aaron Szymanski**, Thomaston, CT (US)

(72) Inventor: **Aaron Szymanski**, Thomaston, CT (US)

(73) Assignee: **IdeaVillage Products Corp.**, Wayne, NJ (US)

(*) Notice: This patent is subject to a terminal disclaimer.

(**) Term: **14 Years**

(21) Appl. No.: **29/474,635**

(22) Filed: **Dec. 8, 2014**

(51) **LOC (10) Cl.** **07-01**

(52) **U.S. Cl.**
USPC **D7/507**; D7/510; D7/392.1; D7/396.2;
D7/529; D9/447

(58) **Field of Classification Search**

USPC D7/507, 509, 510, 511, 512, 513, 523,
D7/529, 532, 608, 391, 392.1, 300.2,
D7/619.1, 514, 396.1, 396.2, 396.3, 605,
D7/515, 517, 520, 342, 675, 900; D9/500,
D9/440, 435, 449, 745, 436, 502, 562, 546,
D9/629, 516, 503, 504, 447; 220/669, 737,
220/675, 715; 229/402; 206/520; D3/202
CPC A47G 19/2272; A47G 2019/2277;
A47G 19/2216; A47G 19/22; B65D
2543/00351; B65D 2543/0046; B65D 3/06;
A45F 2003/205; A45F 3/20

See application file for complete search history.

(56) **References Cited**

U.S. PATENT DOCUMENTS

3,288,344 A * 11/1966 Woollen A47G 19/065
206/217
D383,033 S * 9/1997 Pfirmann, Jr. D7/391
D386,685 S * 11/1997 Miller D9/449

D415,651 S * 10/1999 Trombly D7/391
D432,421 S * 10/2000 Sullivan, Jr. D9/440
D438,298 S * 2/2001 McNutt D23/366
D444,670 S * 7/2001 Demers D7/392.1
D467,049 S * 12/2002 Kohn D32/53.1
D480,968 S * 10/2003 Atkins D9/435
D494,470 S * 8/2004 Guyot D9/435
D518,377 S * 4/2006 Kortleven D3/323
D522,860 S * 6/2006 LaFortune D9/449
D527,576 S * 9/2006 Gluck D7/392.1
D535,144 S * 1/2007 George D7/392.1
D535,561 S * 1/2007 Smith D9/435
D539,649 S * 4/2007 Smith D9/435

(Continued)

Primary Examiner — Marianne Pandozzi

Assistant Examiner — Jae Liang

(74) *Attorney, Agent, or Firm* — Dan DeLaRosa

(57) **CLAIM**

The ornamental design for a container with insert and lid, as shown and described.

DESCRIPTION

FIG. 1 is a front perspective view of the container with insert and lid showing my new design;

FIG. 2 is a front elevational view thereof;

FIG. 3 is a rear elevational view thereof;

FIG. 4 is a first side elevational view thereof;

FIG. 5 is a second side elevational view thereof

FIG. 6 is a top plan view thereof;

FIG. 7 is a bottom plan view thereof;

FIG. 8 is an exploded perspective view thereof;

FIG. 9 is an exploded front view thereof;

FIG. 10 is an exploded back view thereof;

FIG. 11 is a first exploded side view thereof;

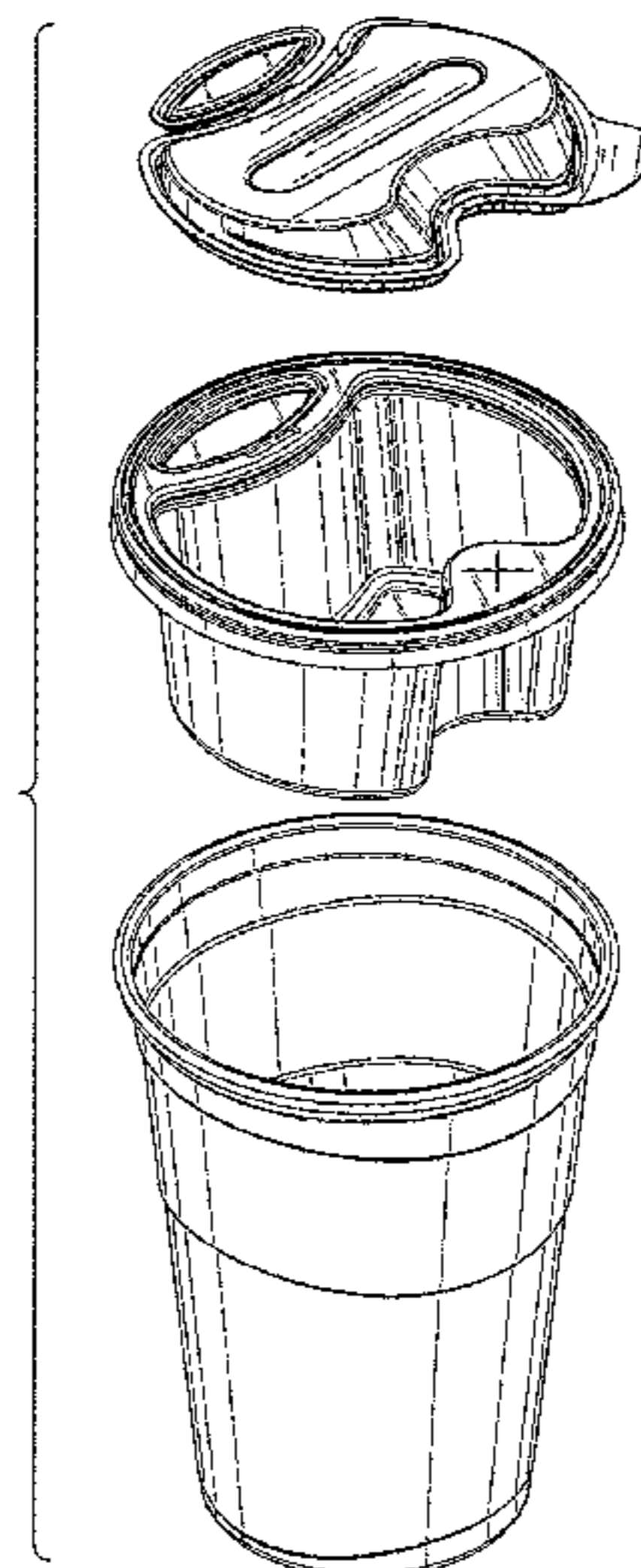
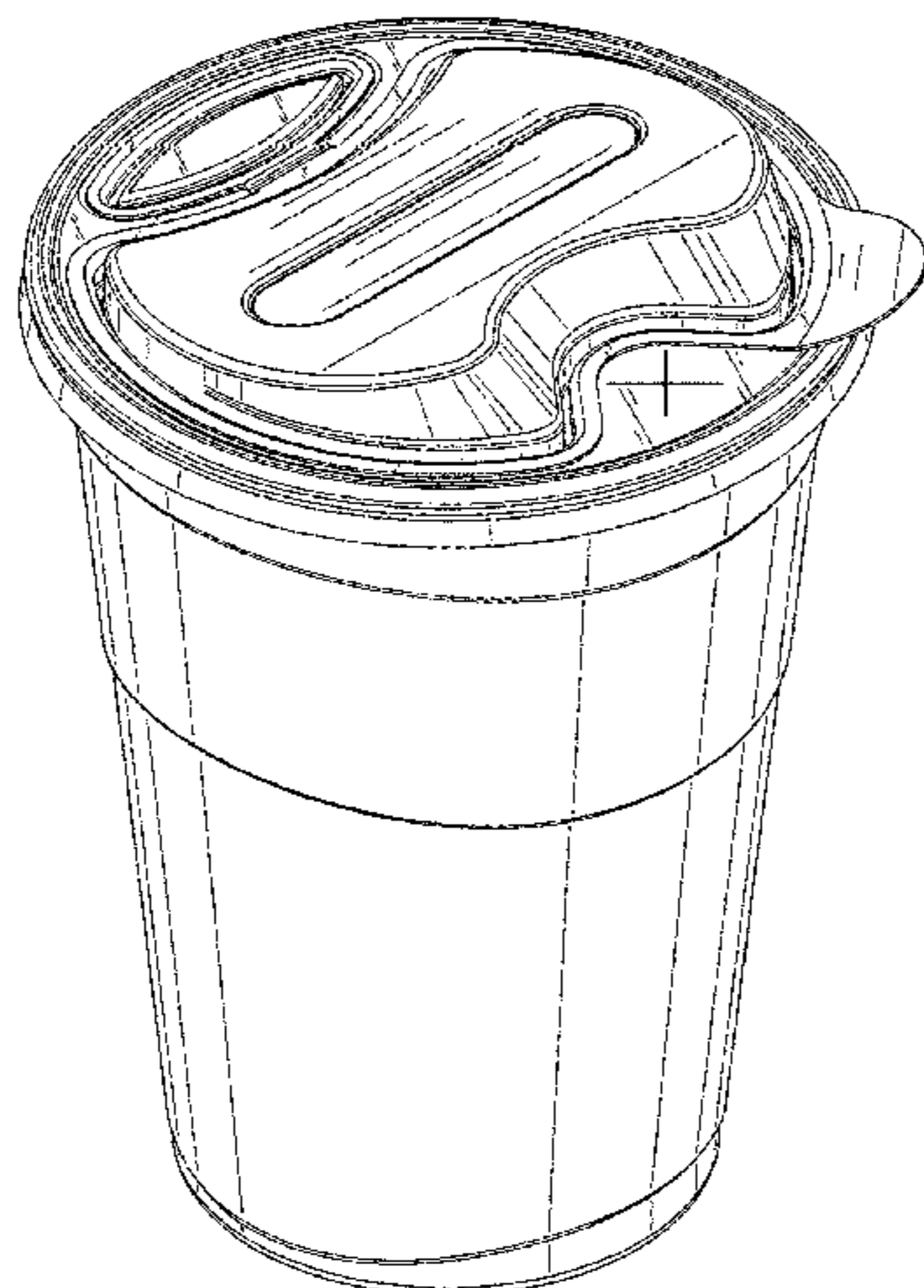
FIG. 12 is a second exploded side view thereof;

FIG. 13 is an exploded top view thereof; and,

FIG. 14 is an exploded bottom view thereof.

The broken lines shown in the figure drawings are included for the purpose of illustration and form no part of the claimed design.

1 Claim, 14 Drawing Sheets



(56)

References Cited

U.S. PATENT DOCUMENTS

D540,674 S * 4/2007 Hollis D9/435
 D570,686 S * 6/2008 Hollis D9/447
 D572,587 S * 7/2008 Rush D9/447
 D608,147 S * 1/2010 Sykes D7/507
 D614,954 S * 5/2010 Crowell D9/447
 D618,050 S * 6/2010 Eisenhardt D7/392.1
 D637,453 S * 5/2011 Chatterton D7/359
 D666,052 S * 8/2012 Trombly D7/392.1
 D672,236 S * 12/2012 Zomorodi D9/435
 D675,524 S * 2/2013 Bickert D7/392.1
 8,574,647 B1 * 11/2013 Gunderson B65D 25/04
 206/514
 8,616,405 B2 * 12/2013 French B65D 43/0208
 220/711
 D712,740 S * 9/2014 Antal D9/435
 D722,873 S * 2/2015 Wu D9/447
 8,973,776 B1 * 3/2015 Buck A47G 19/2272
 220/521
 9,114,917 B1 * 8/2015 Salem A47G 19/22

2004/0089662 A1 * 5/2004 Smith B65D 43/0212
 220/253
 2004/0237573 A1 * 12/2004 Jagger A47G 19/2272
 62/457.3
 2008/0073342 A1 * 3/2008 Cai B65D 47/286
 220/212
 2009/0108006 A1 * 4/2009 Milan B65D 25/52
 220/592.17
 2009/0283526 A1 * 11/2009 Pierce A47G 19/22
 220/254.7
 2012/0024871 A1 * 2/2012 Hundley B65D 43/0212
 220/715
 2012/0125931 A1 * 5/2012 Roth A47G 19/22
 220/254.3
 2013/0233858 A1 * 9/2013 Elberg A47G 19/2222
 220/504
 2015/0216341 A1 * 8/2015 Shimono B65D 85/72
 220/253
 2015/0251818 A1 * 9/2015 Strachan B65D 43/0208
 220/254.8
 2015/0272359 A1 * 10/2015 Oakes A47G 19/2272
 220/254.1

* cited by examiner

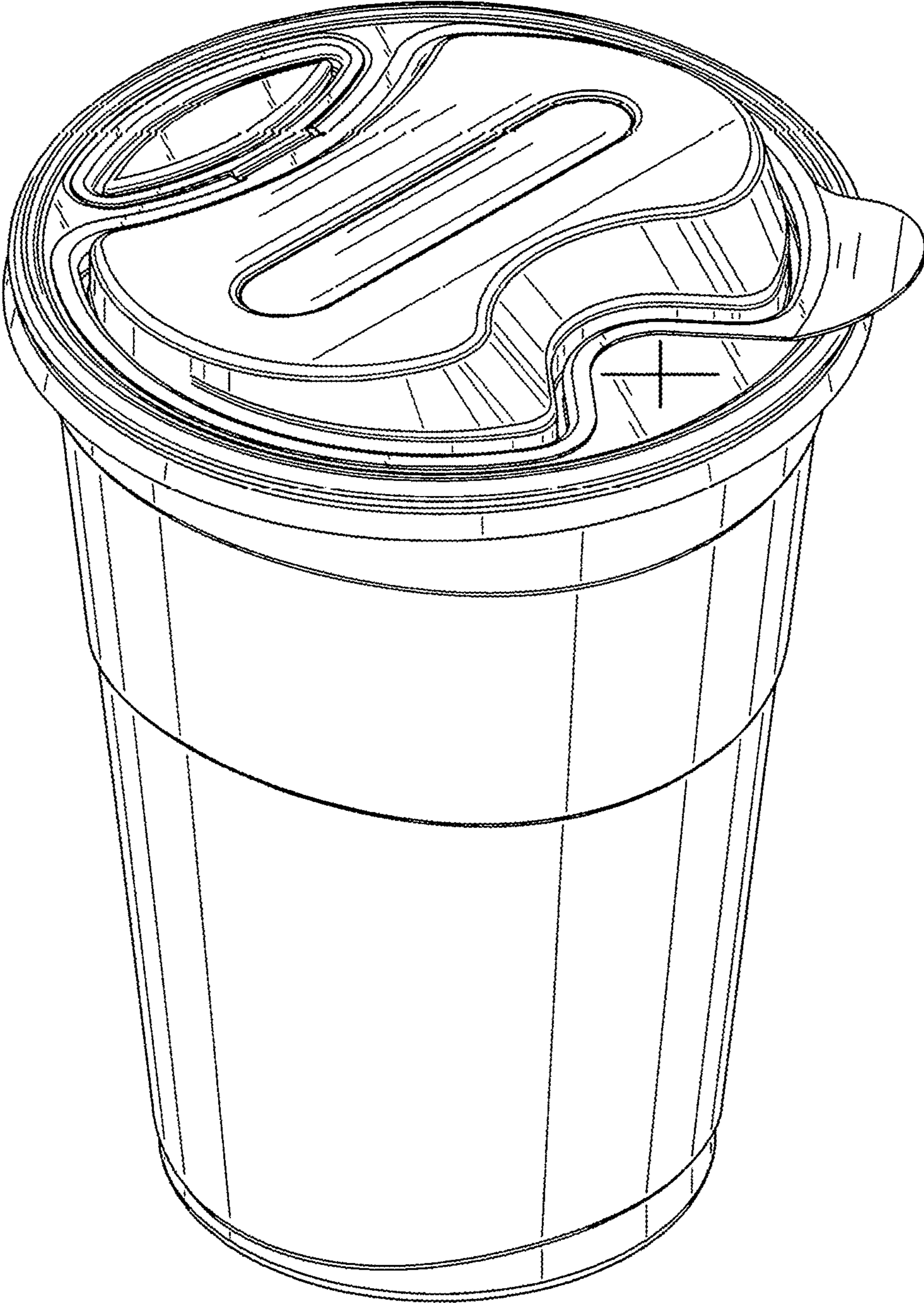


FIG. 1

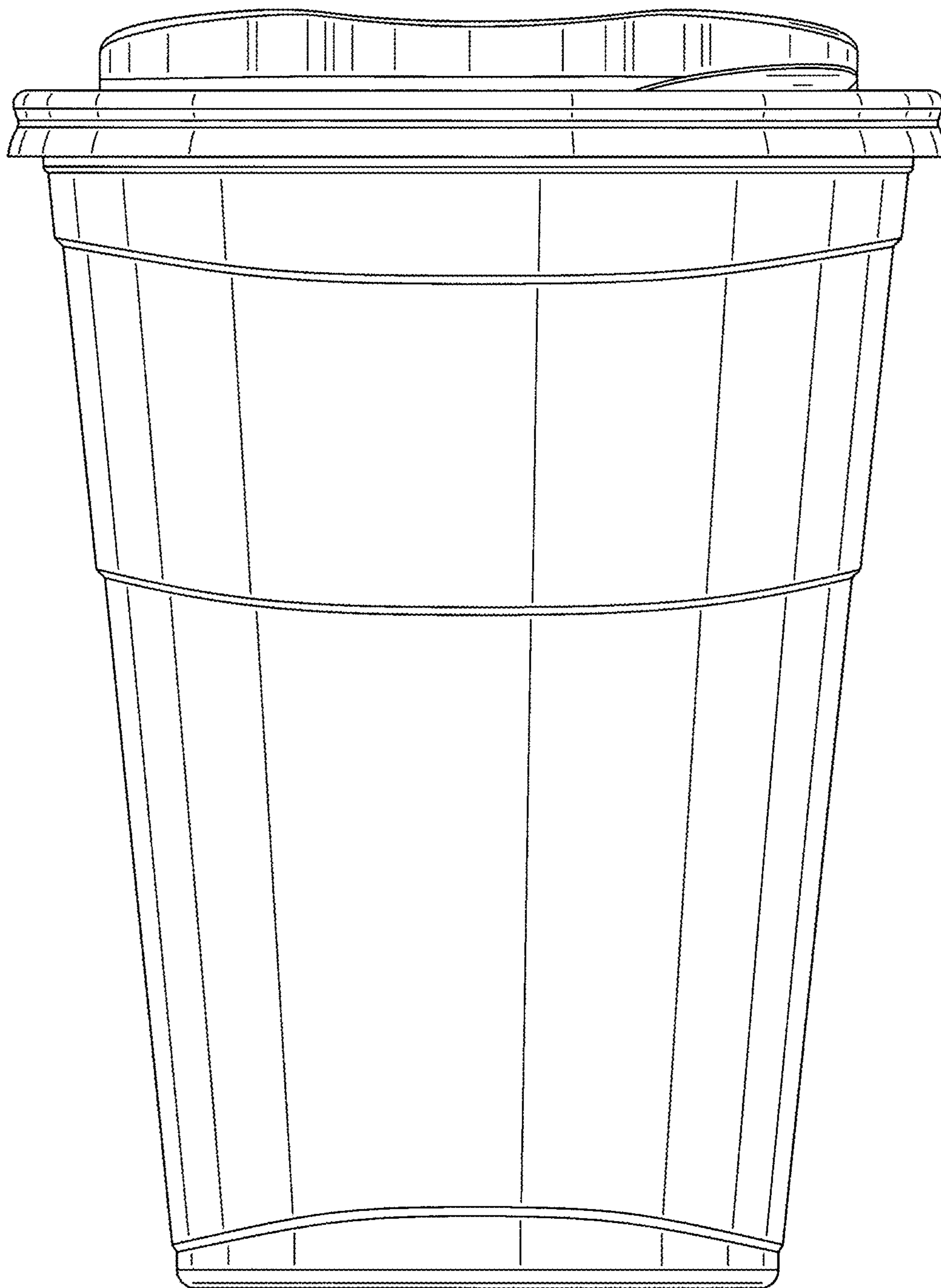


FIG. 2

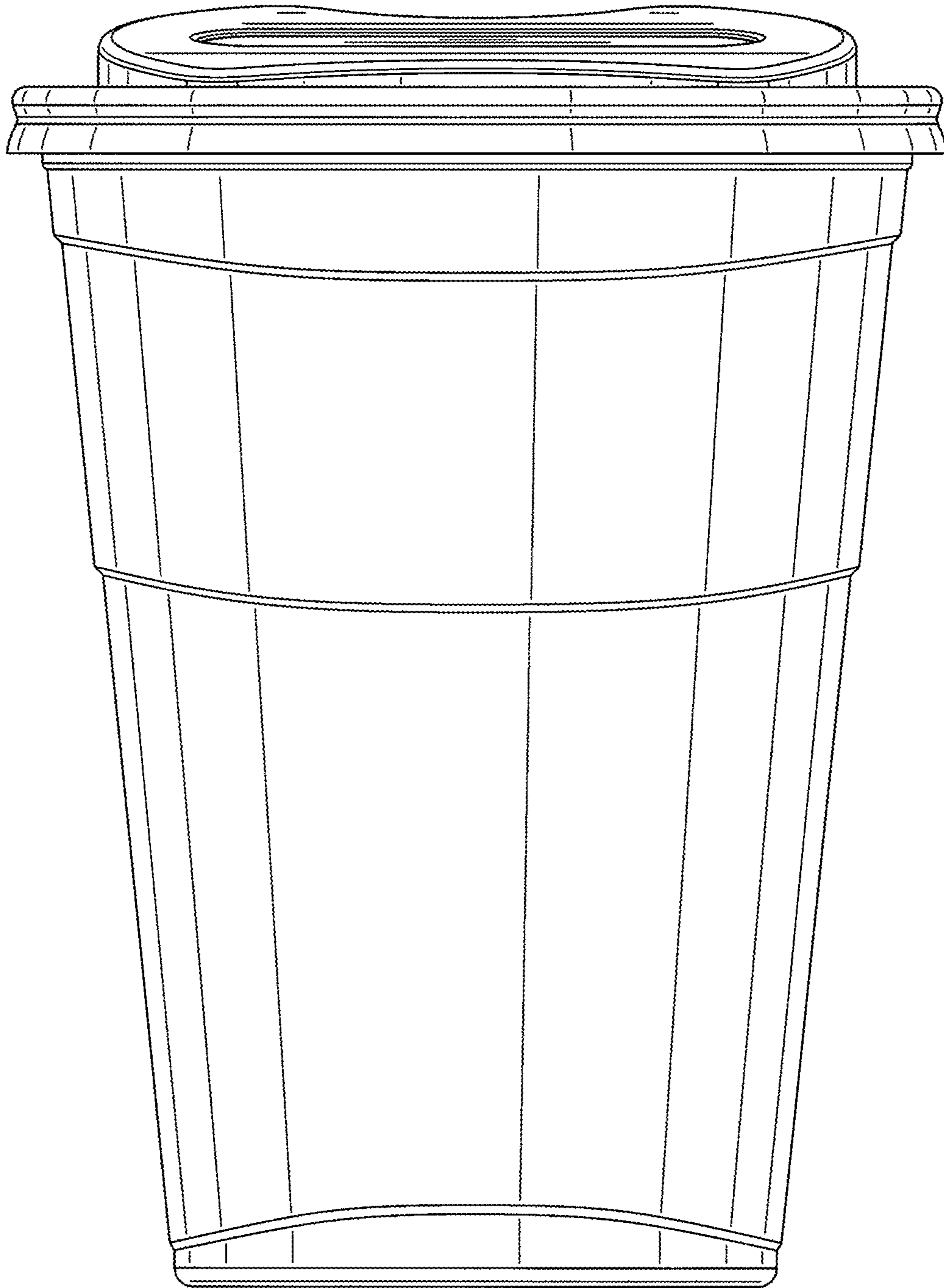


FIG. 3

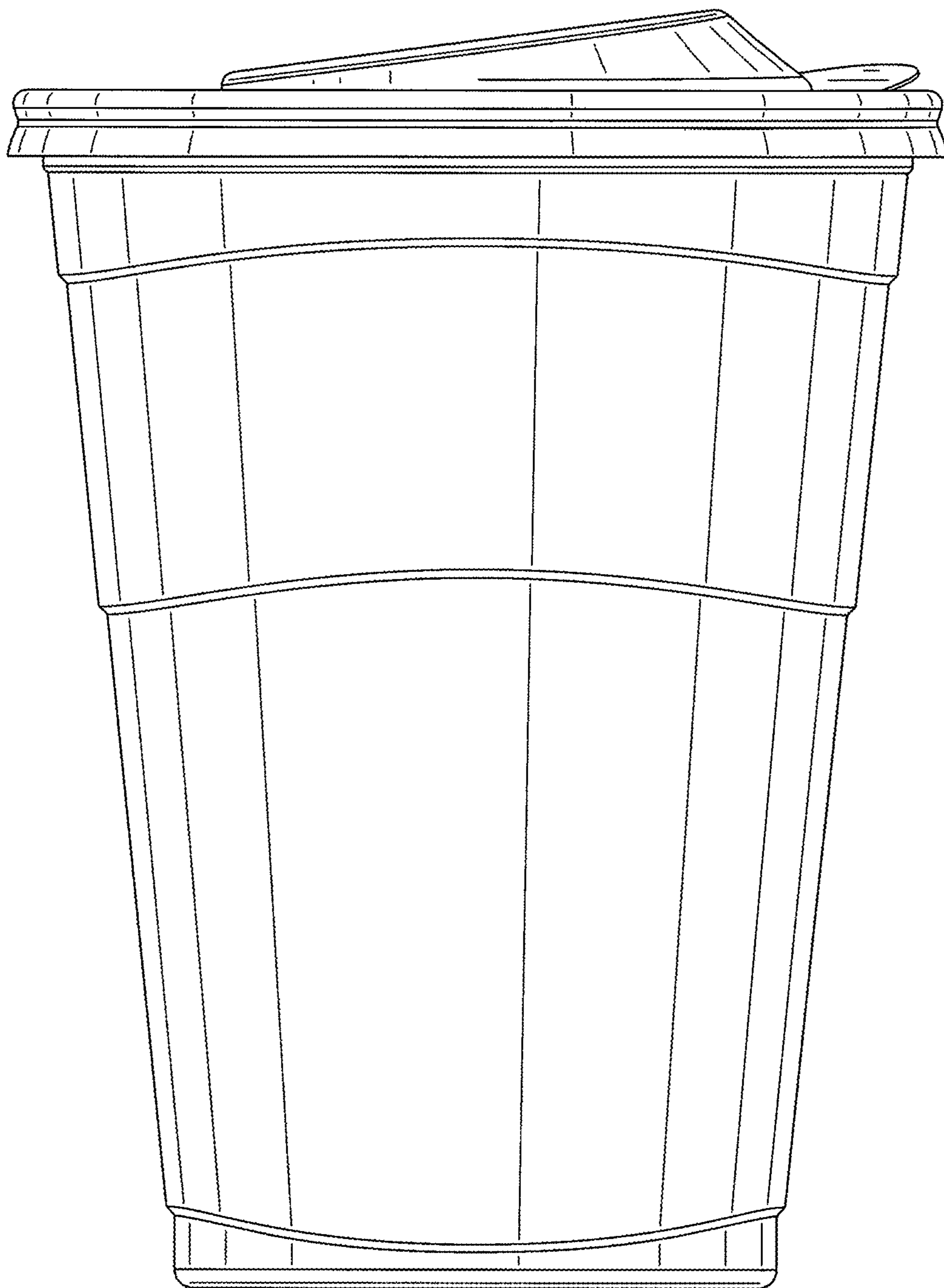


FIG. 4

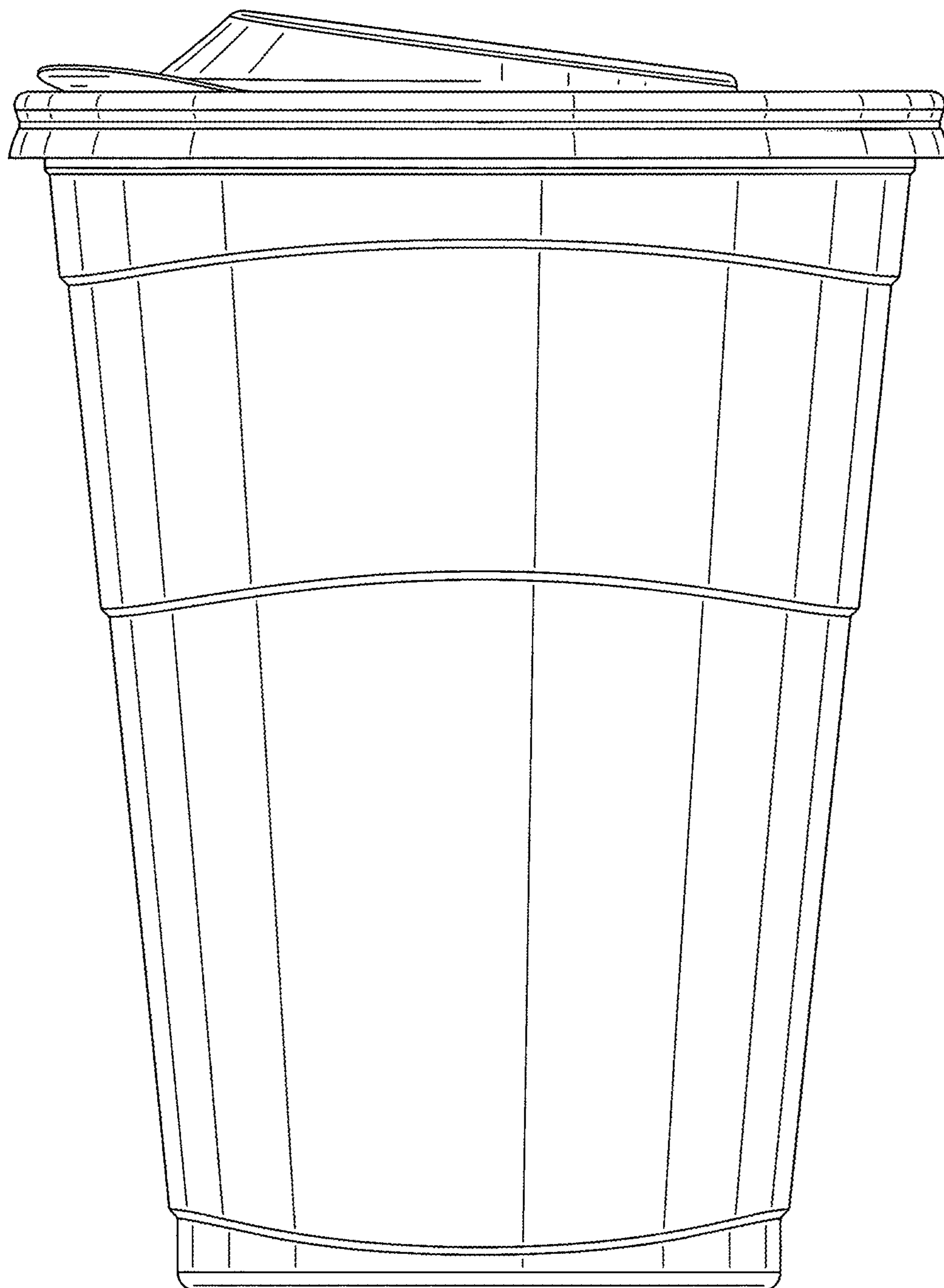


FIG. 5

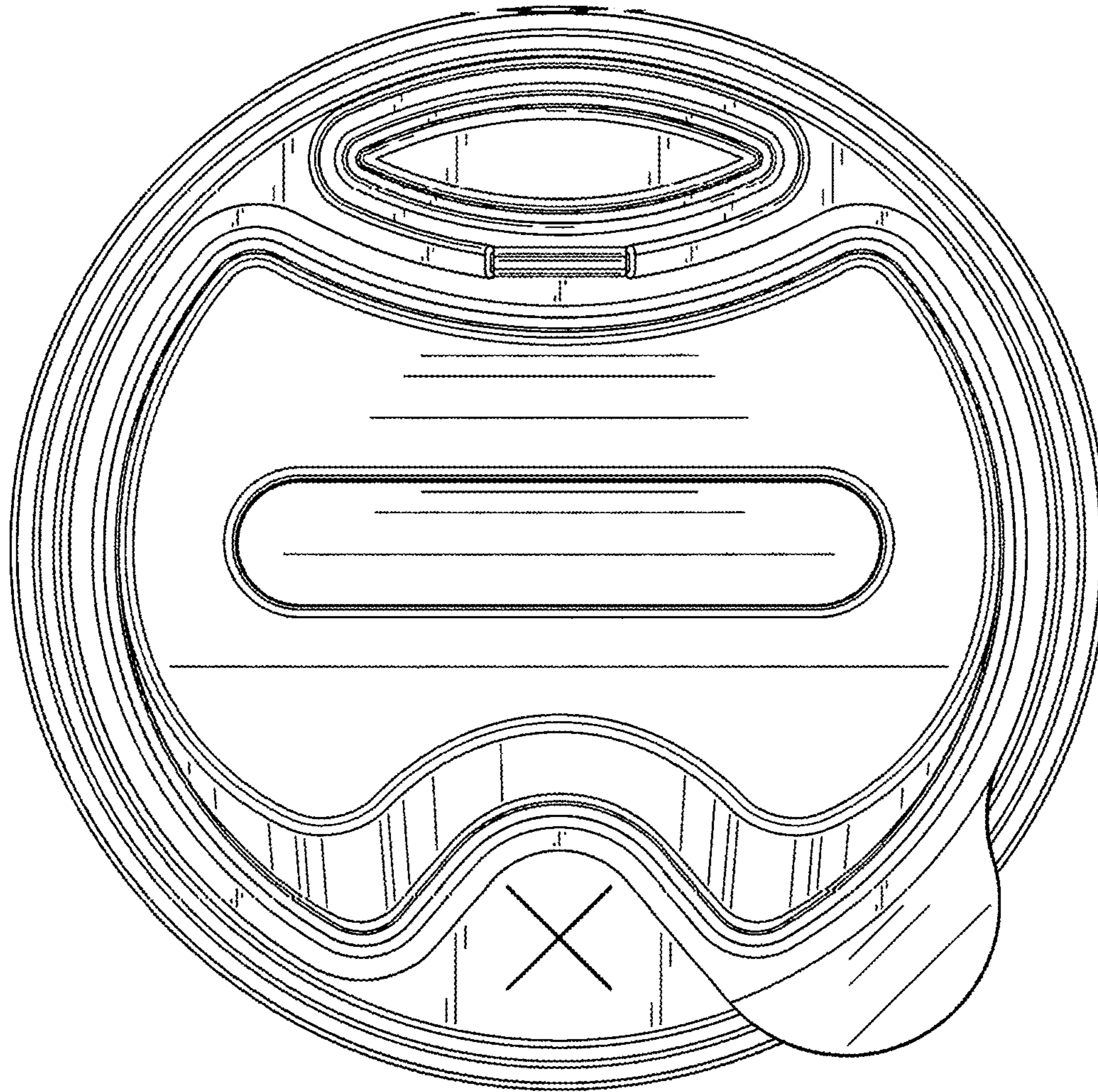


FIG. 6

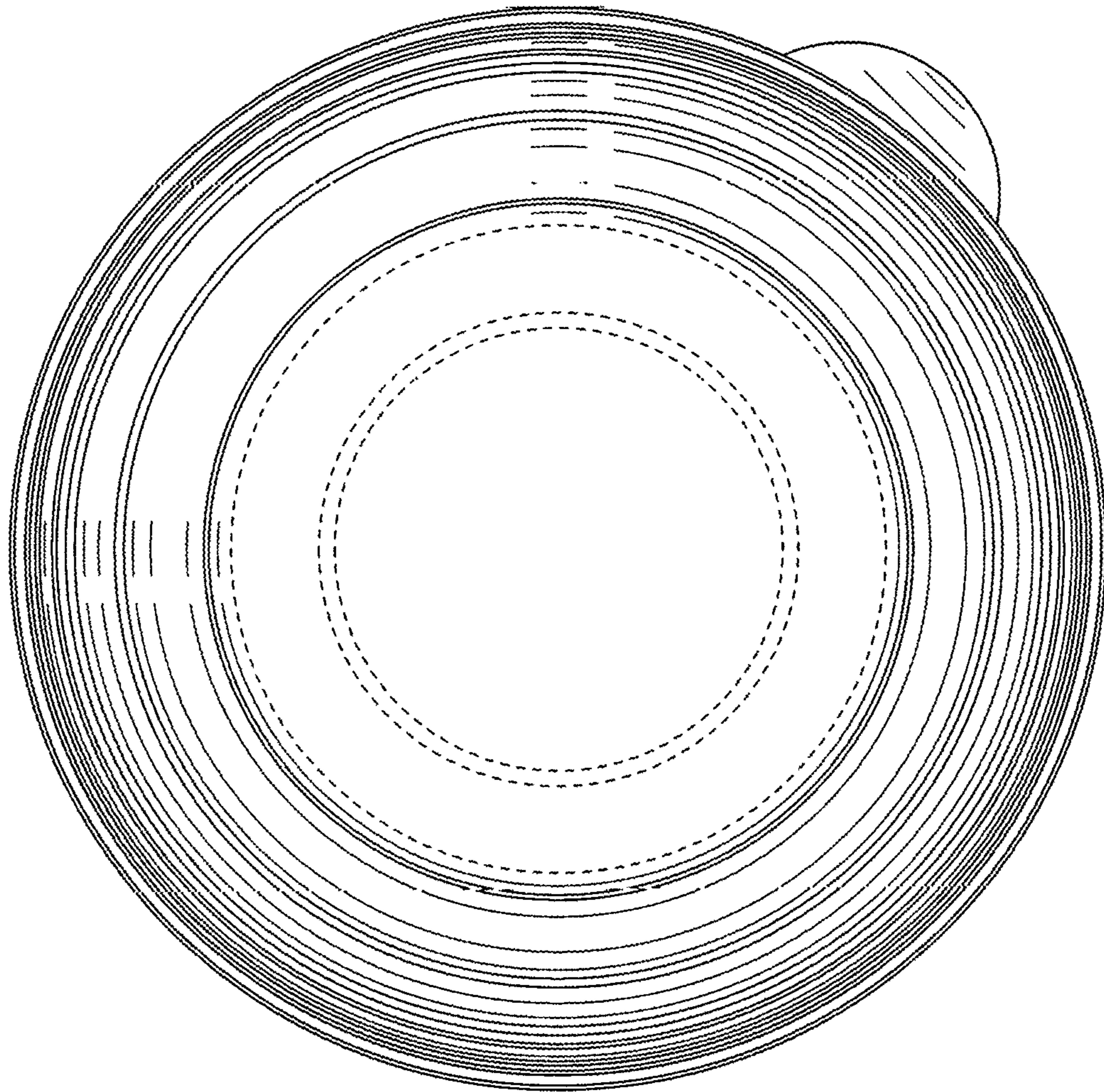


FIG. 7

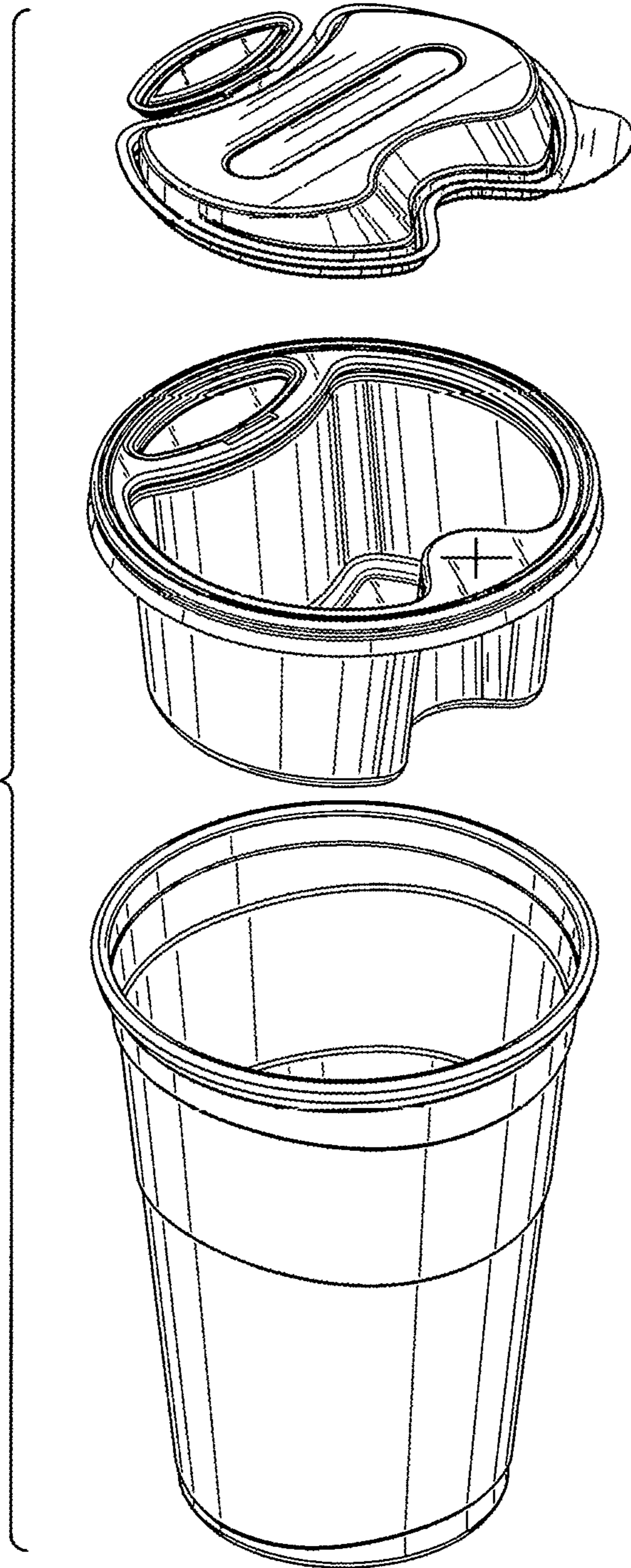


FIG. 8

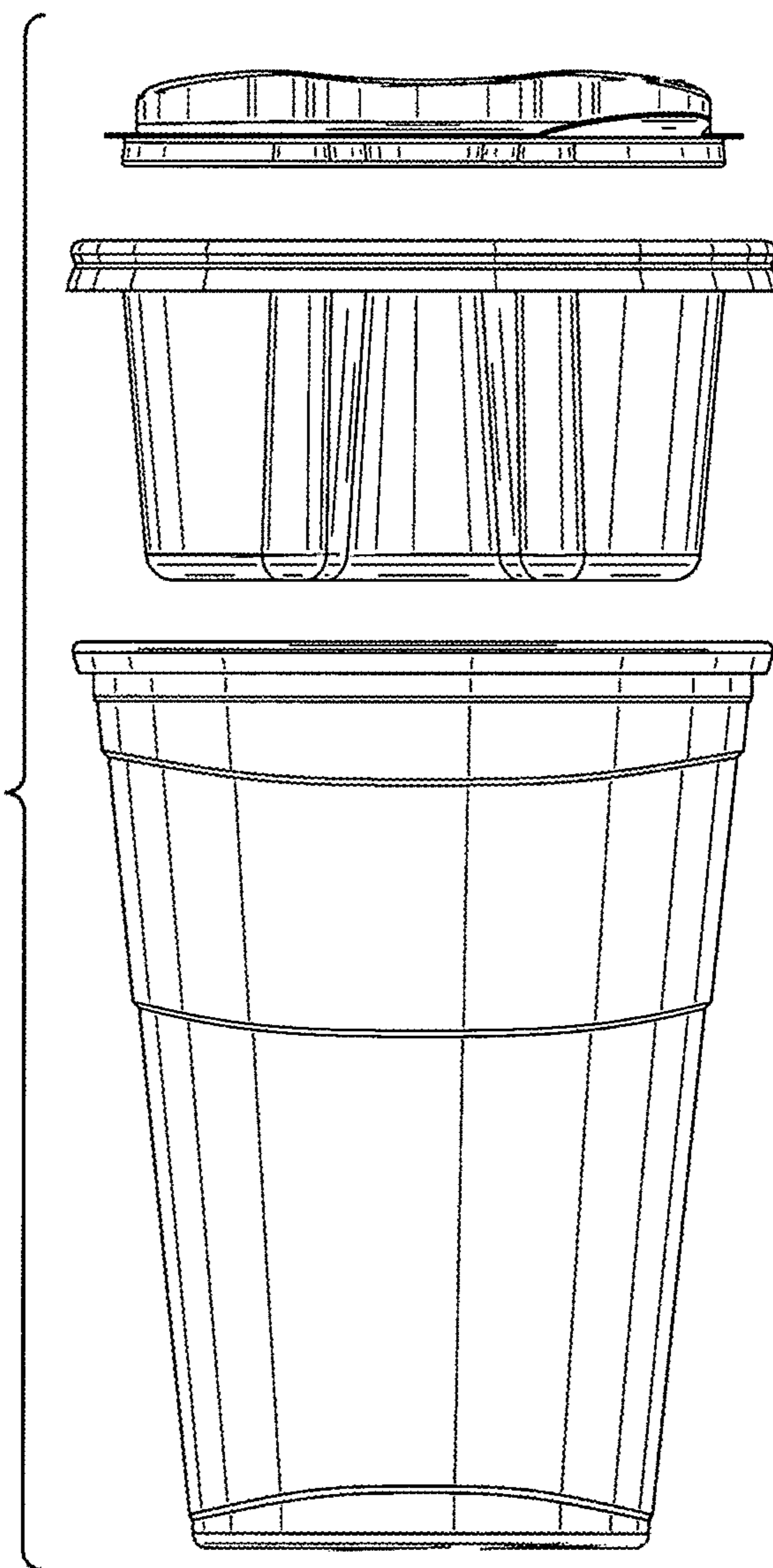


FIG. 9

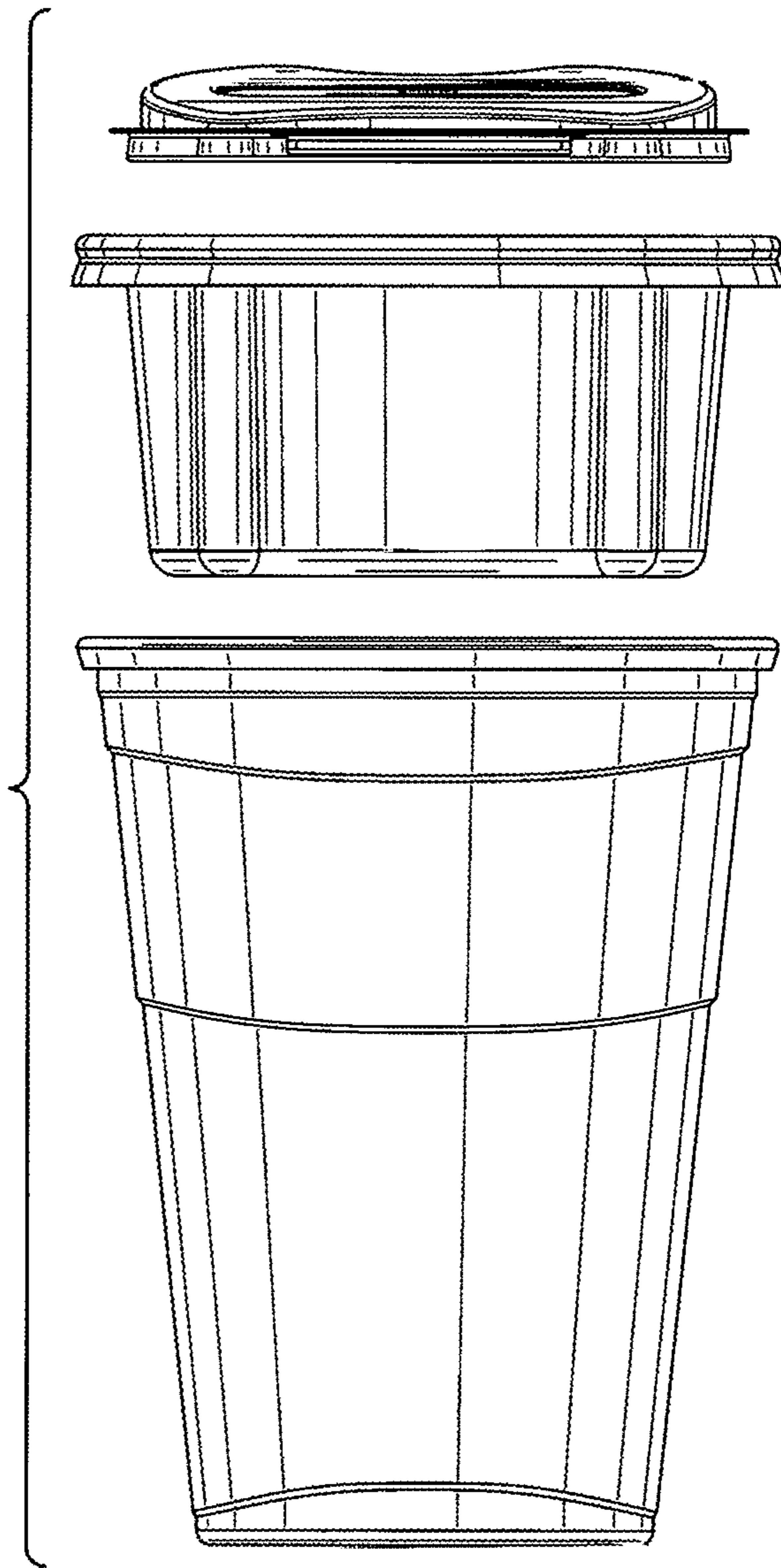


FIG. 10

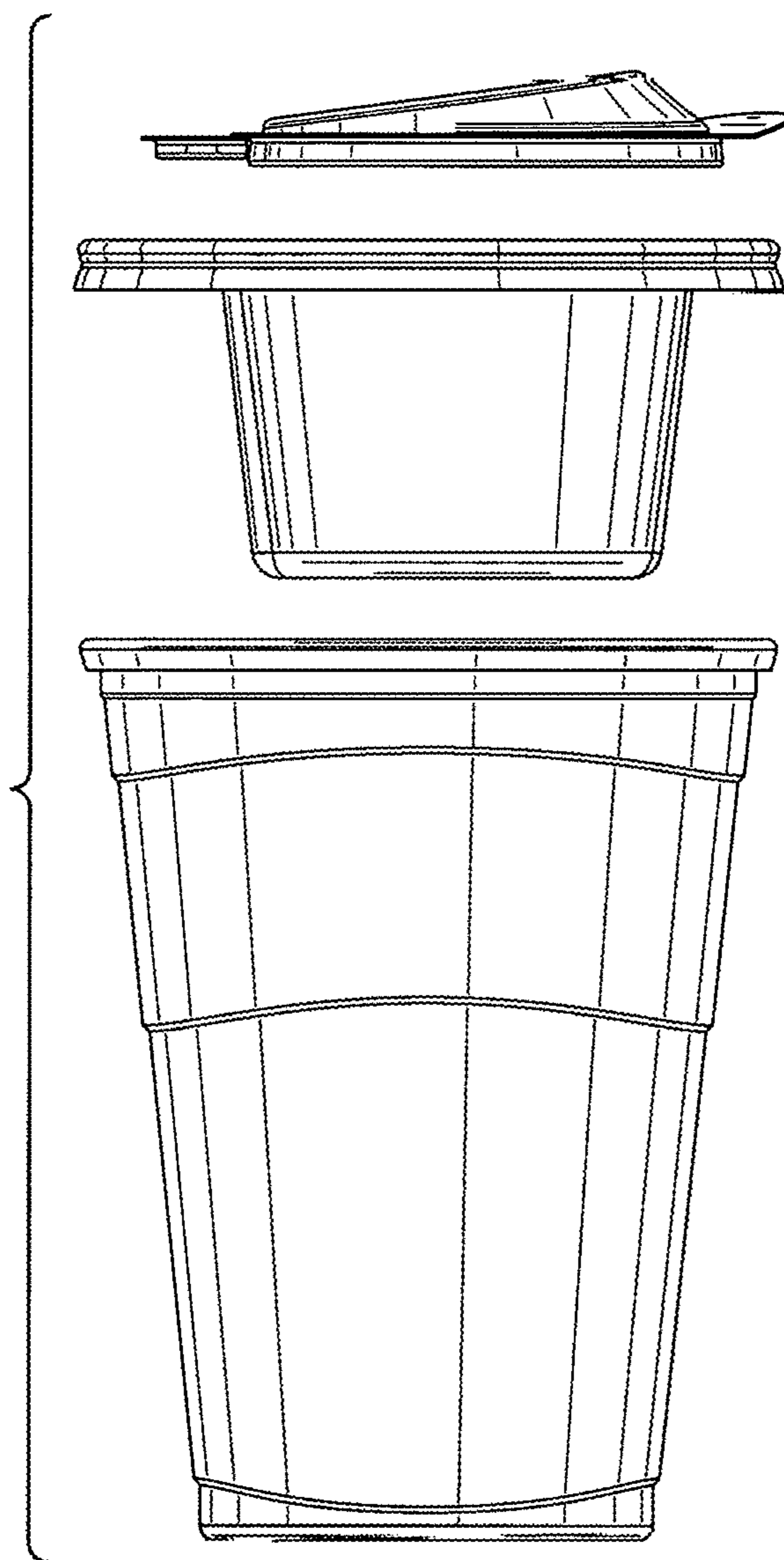


FIG. 11

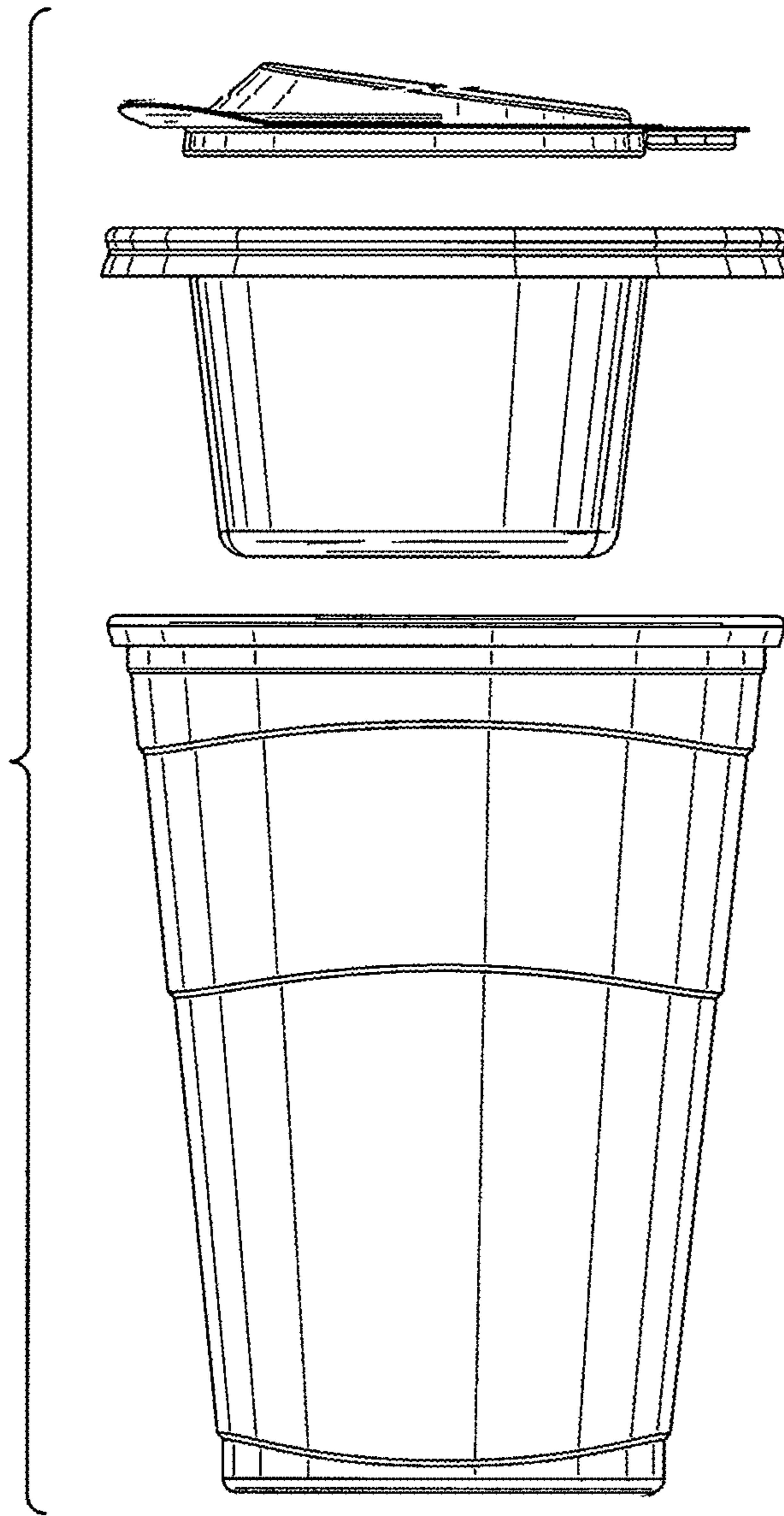


FIG. 12

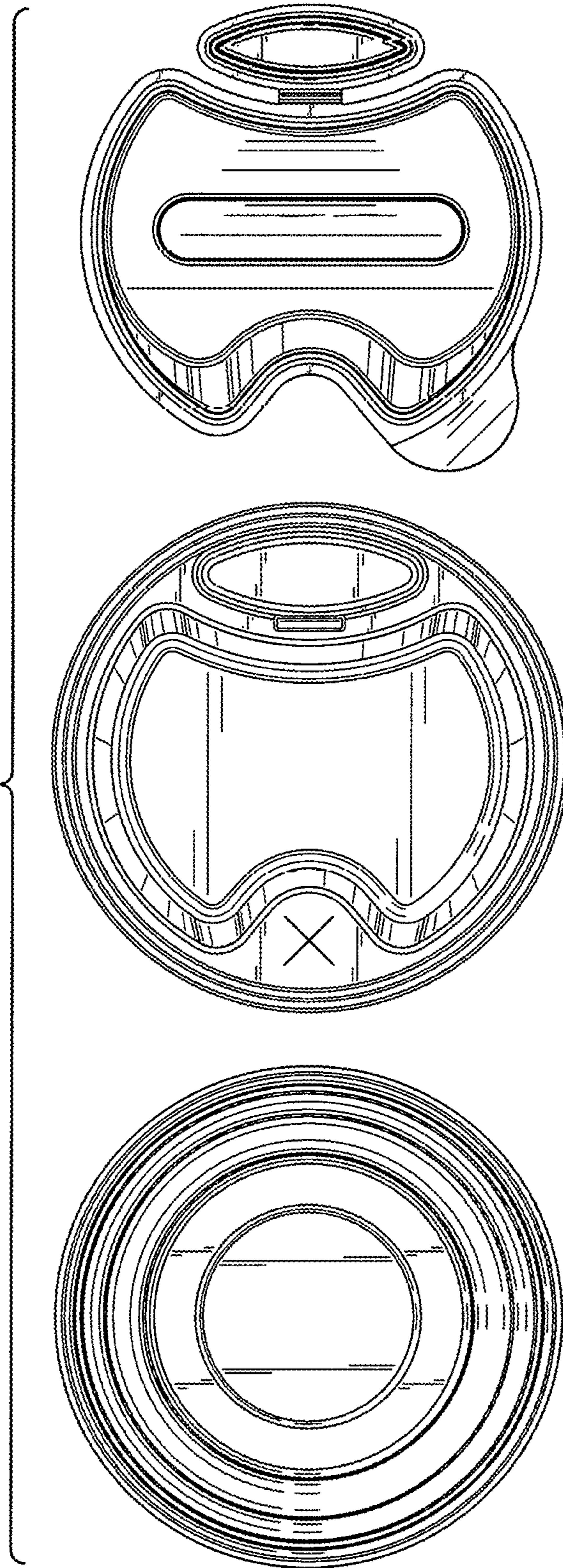


FIG. 13

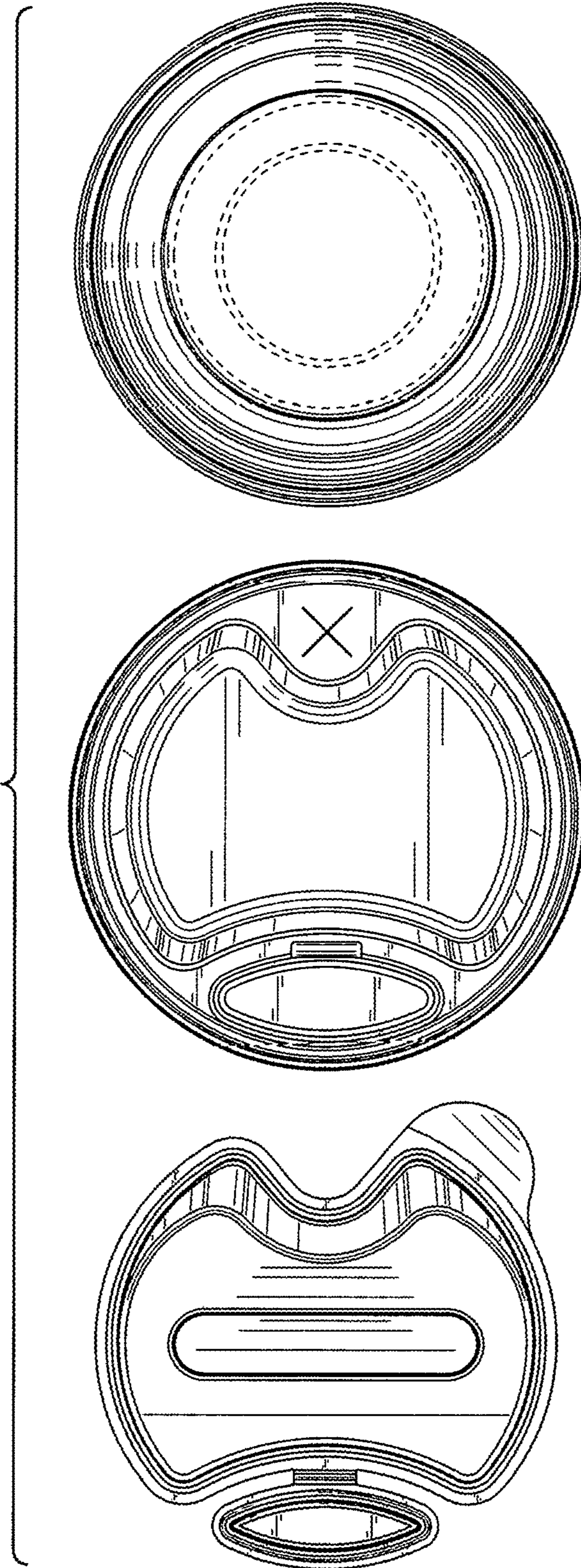


FIG. 14