



US00D763618S

(12) **United States Design Patent**
Feng et al.

(10) **Patent No.:** **US D763,618 S**

(45) **Date of Patent:** **** Aug. 16, 2016**

(54) **COOKING PAN**

(71) Applicant: **ATLANTIC PROMOTIONS INC.**,
Longueuil (Quebec) (CA)

(72) Inventors: **Zhihui Feng**, Guangdon (CN); **Junbin Zhang**, Shatin (HK)

(73) Assignee: **ATLANTIC PROMOTIONS INC.**,
Quebec (CA)

(**) Term: **14 Years**

(21) Appl. No.: **29/519,772**

(22) Filed: **Mar. 6, 2015**

(51) **LOC (10) Cl.** **07-02**

(52) **U.S. Cl.**
USPC **D7/361; D7/354**

(58) **Field of Classification Search**
USPC D7/323, 354–363, 391, 393–396, 409
CPC A47G 19/12; A47J 27/00; A47J 27/002;
A47J 27/08; A47J 27/21; A47J 27/58; A47J
36/025; A47J 36/06; A47J 36/12; A47J 37/00;
A47J 37/10; A47J 37/101; A47J 37/103;
A47J 37/12; A47J 37/1204; A47J 43/287;
A47J 45/061; A47J 45/071; A47J 45/08;
H05B 6/12

See application file for complete search history.

(56) **References Cited**

U.S. PATENT DOCUMENTS

3,143,241 A 8/1964 Howell
3,909,591 A 9/1975 Ulam

(Continued)

FOREIGN PATENT DOCUMENTS

FR 2739998 A1 4/1997
WO 9956950 A1 11/1999
WO 03045208 A1 6/2003

Primary Examiner — Ricky Pham

(74) *Attorney, Agent, or Firm* — McDermott Will & Emery
LLP

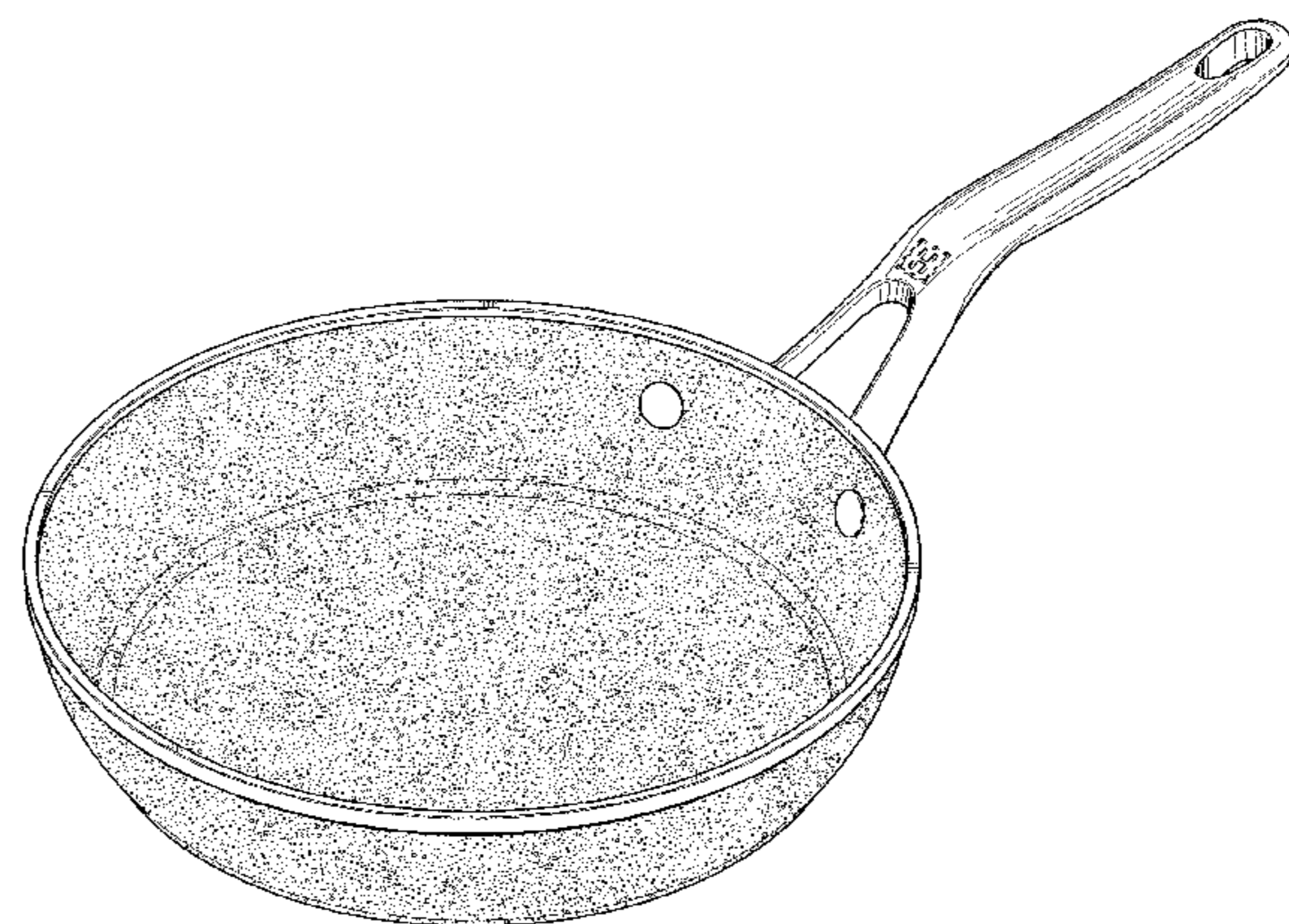
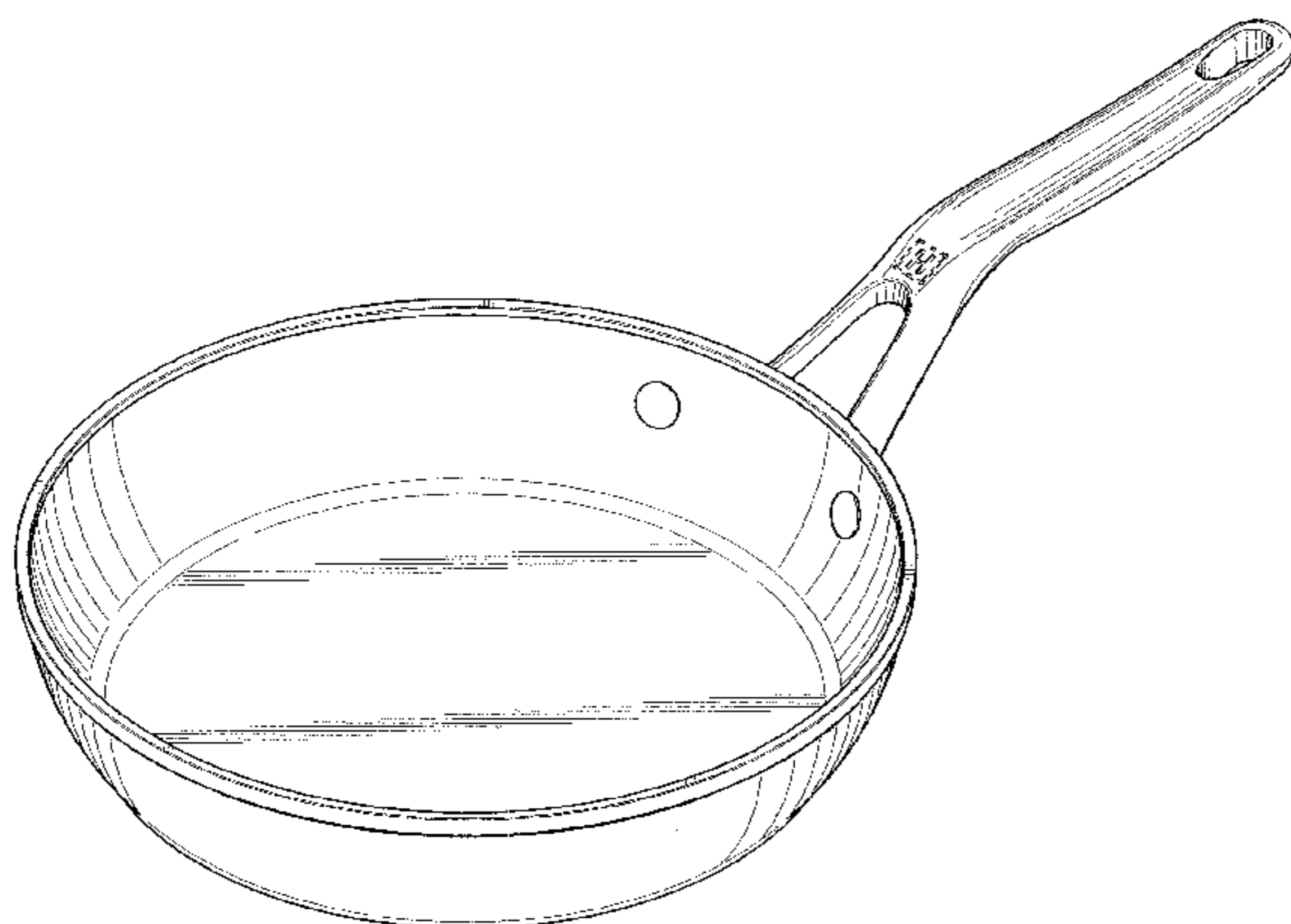
(57) **CLAIM**

The ornamental design for a cooking pan, as shown and described.

DESCRIPTION

FIG. 1 is a perspective view of the first variant of the cooking pan;
FIG. 2 is a front view of the first variant of the cooking pan;
FIG. 3 is a rear view of the first variant of the cooking pan;
FIG. 4 is a side view of the first variant of the cooking pan;
FIG. 5 is another side view of the first variant of the cooking pan;
FIG. 6 is a top view of the first variant of the cooking pan;
FIG. 7 is a bottom view of the first variant of the cooking pan;
FIG. 8 is a perspective view of the second variant of the cooking pan;
FIG. 9 is a front view of the second variant of the cooking pan;
FIG. 10 is a rear view of the second variant of the cooking pan;
FIG. 11 is a side view of the second variant of the cooking pan;
FIG. 12 is another side view of the second variant of the cooking pan;
FIG. 13 is a top view of the second variant of the cooking pan;
and,
FIG. 14 is a bottom view of the second variant of the cooking pan.
FIGS. 1 to 7 show a first variant of the design of the cooking pan. FIGS. 8 to 14 show a second variant of the design of the cooking pan.
The broken lines shown in the drawings are for illustrative purposes only and form no part of the claimed design.

1 Claim, 10 Drawing Sheets



(56)

References Cited

U.S. PATENT DOCUMENTS

3,919,763 A 11/1975 Ulam
 3,984,024 A 10/1976 Fauvel
 4,541,411 A 9/1985 Woolf
 4,828,134 A 5/1989 Ferlanti
 5,497,696 A 3/1996 Coudurier et al.
 5,628,426 A 5/1997 Doyle et al.
 D407,600 S * 4/1999 LoGiudice D7/395
 6,032,822 A * 3/2000 Munari A47J 43/287
 220/573.1
 D426,107 S * 6/2000 Cheng D7/393
 D555,421 S * 11/2007 Thurlow D7/395
 7,378,623 B2 5/2008 Tarenga
 D579,714 S * 11/2008 Cheng D7/360
 D581,721 S * 12/2008 Rae D7/360
 D593,794 S * 6/2009 Rae D7/395

D598,702 S * 8/2009 Hoekstra D7/361
 D682,013 S * 5/2013 Huang D7/354
 D693,627 S * 11/2013 Moon D7/354
 D696,059 S * 12/2013 Bourbeau D7/354
 8,851,319 B2 10/2014 Berrux et al.
 8,939,313 B2 1/2015 Cheng
 D734,090 S * 7/2015 Bourbeau D7/354
 D734,091 S * 7/2015 Moon D7/354
 2006/0289486 A1 12/2006 Cheng
 2007/0000915 A1 1/2007 Cheng
 2010/0108690 A1 5/2010 Groll
 2011/0073602 A1 3/2011 Musil et al.
 2013/0161334 A1 6/2013 Liu
 2014/0305948 A1 10/2014 Gantillon et al.
 2014/0326734 A1 11/2014 Le Bris et al.
 2014/0361020 A1 12/2014 Cheng
 2015/0001226 A1 1/2015 Groll

* cited by examiner

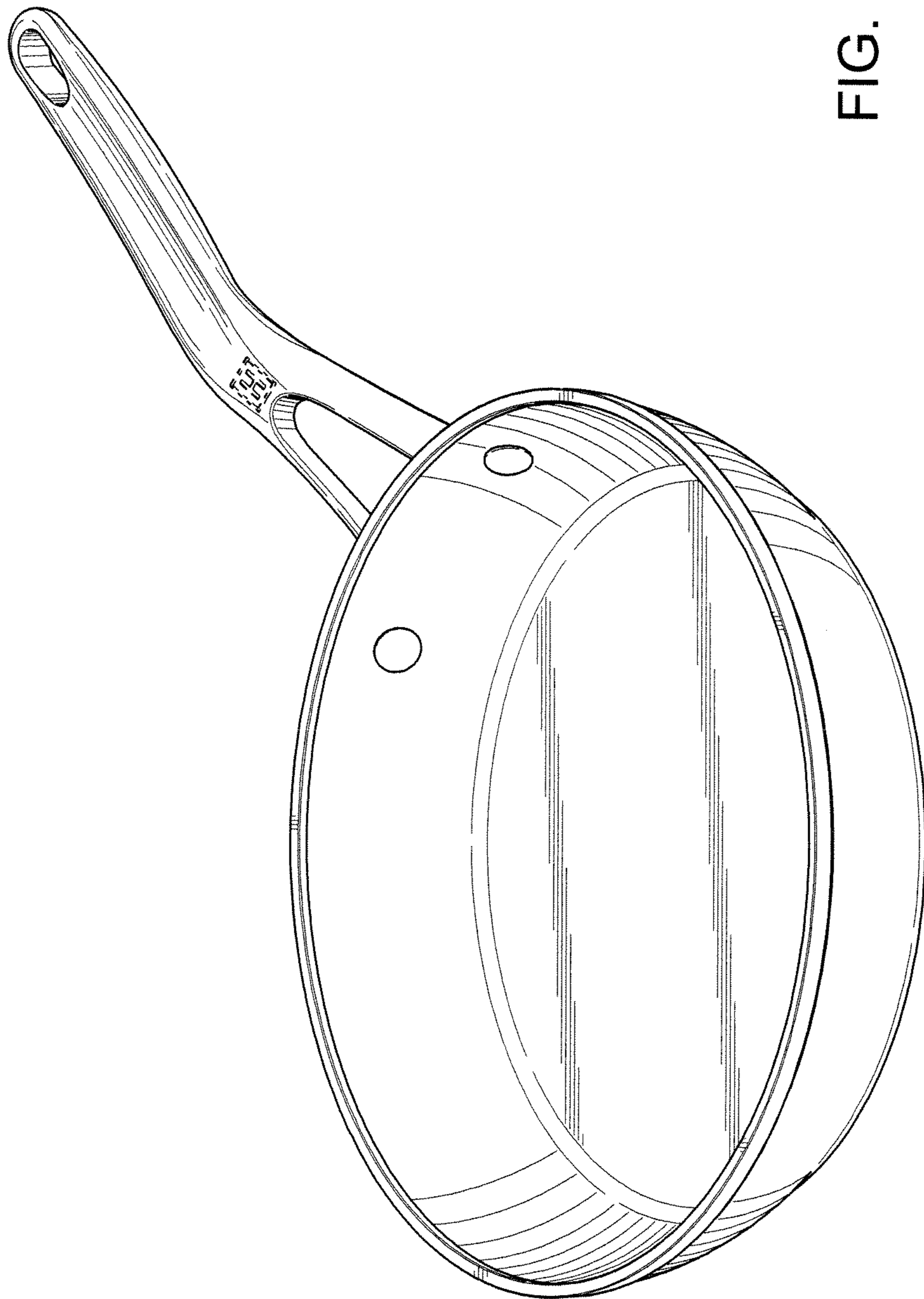


FIG. 1

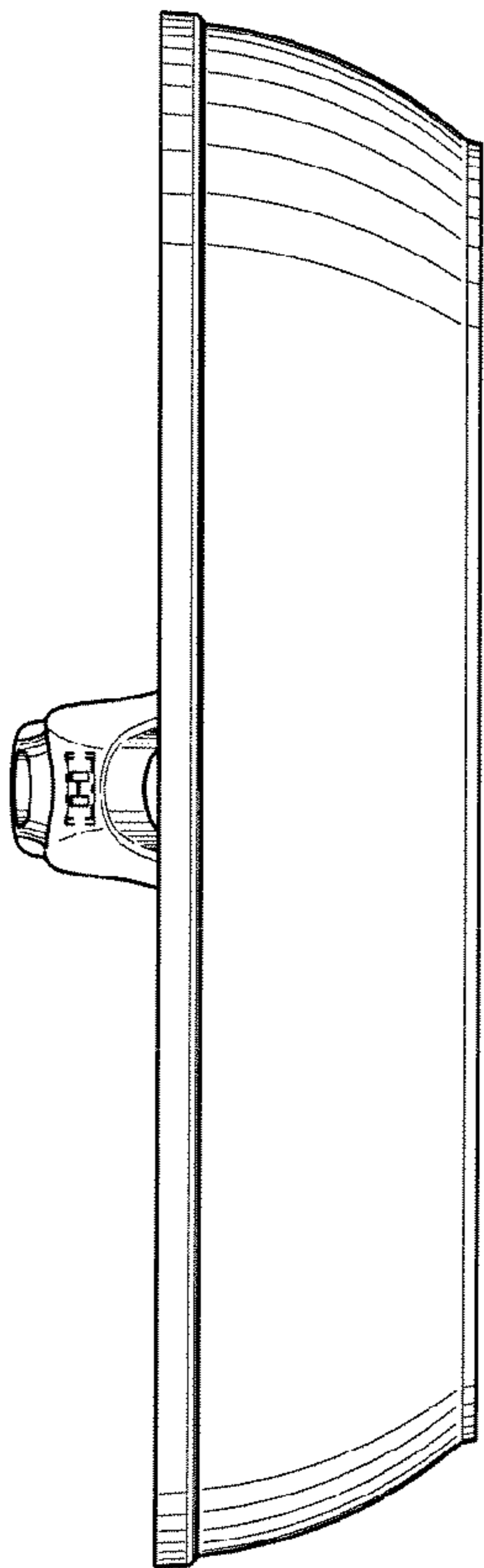


FIG. 2

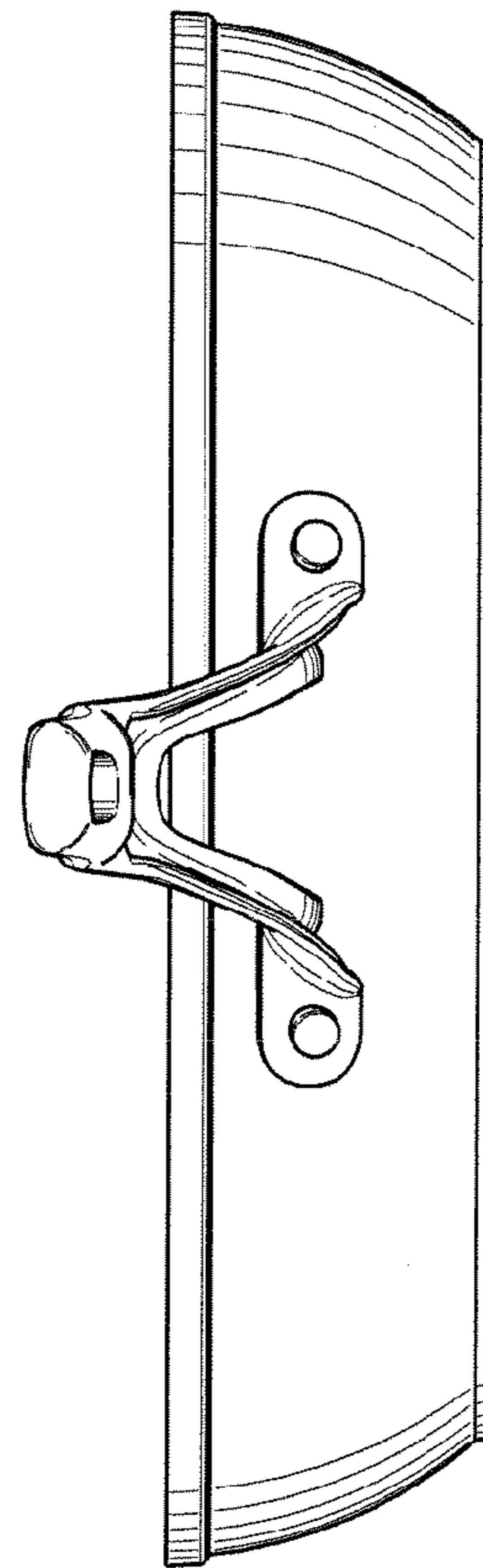


FIG. 3

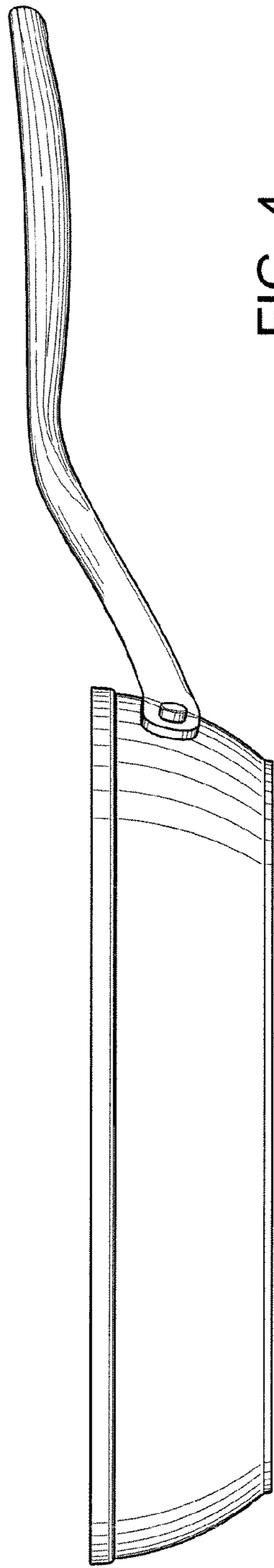


FIG. 4

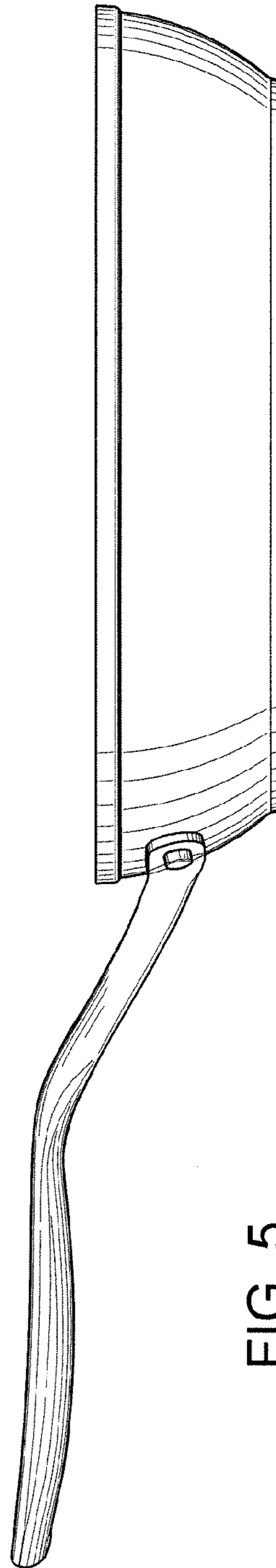


FIG. 5

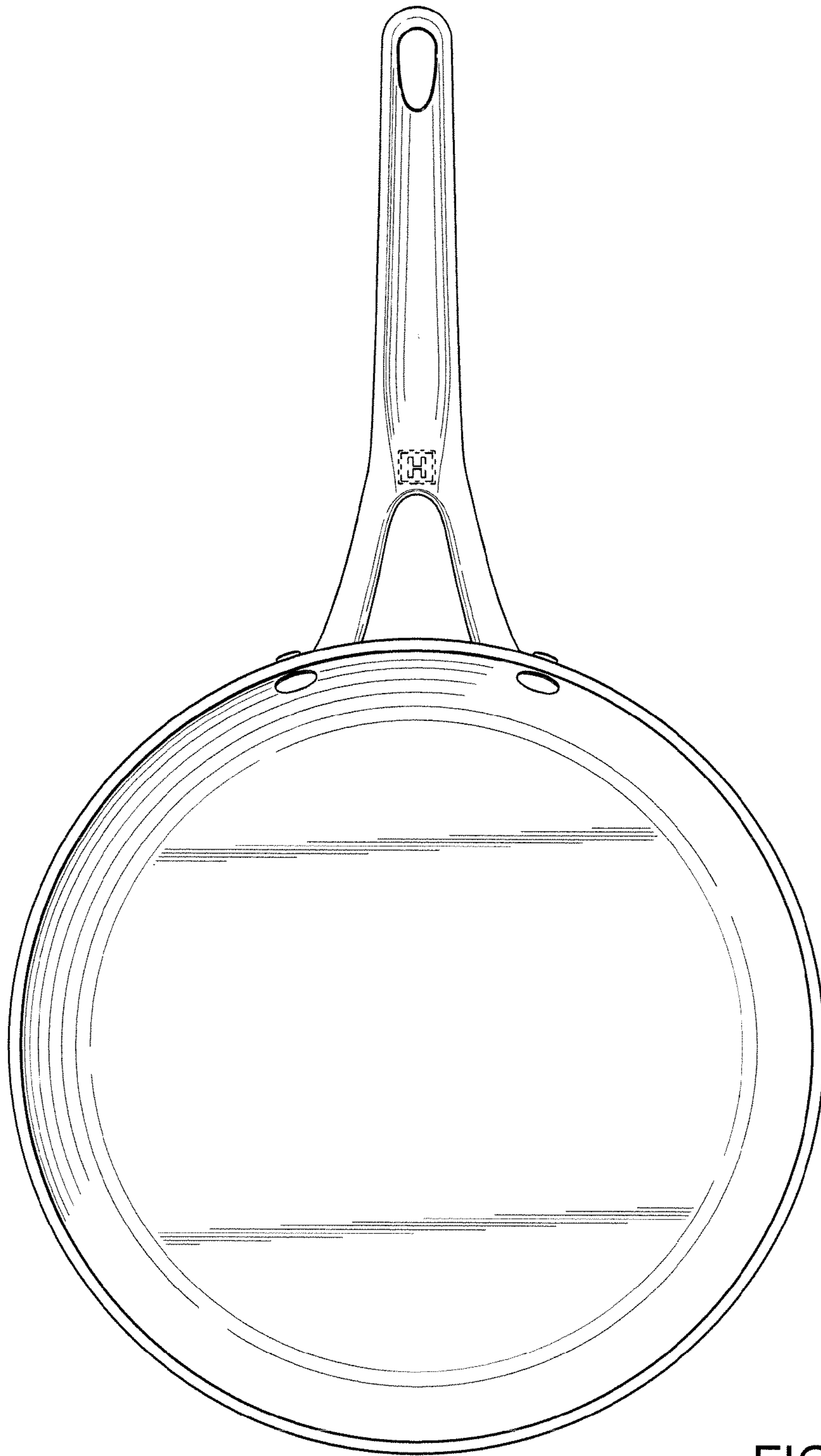


FIG. 6

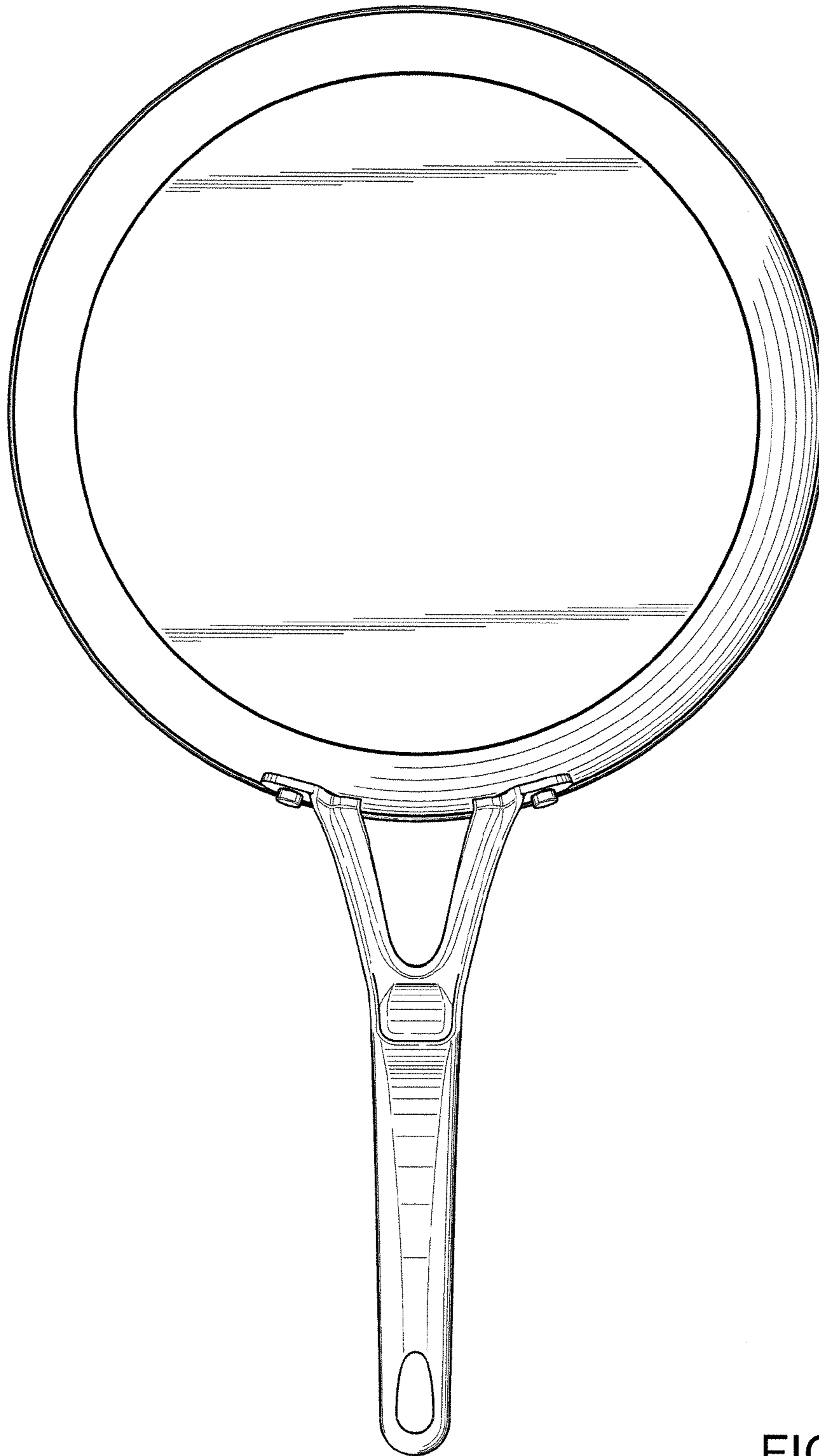


FIG. 7



FIG. 8

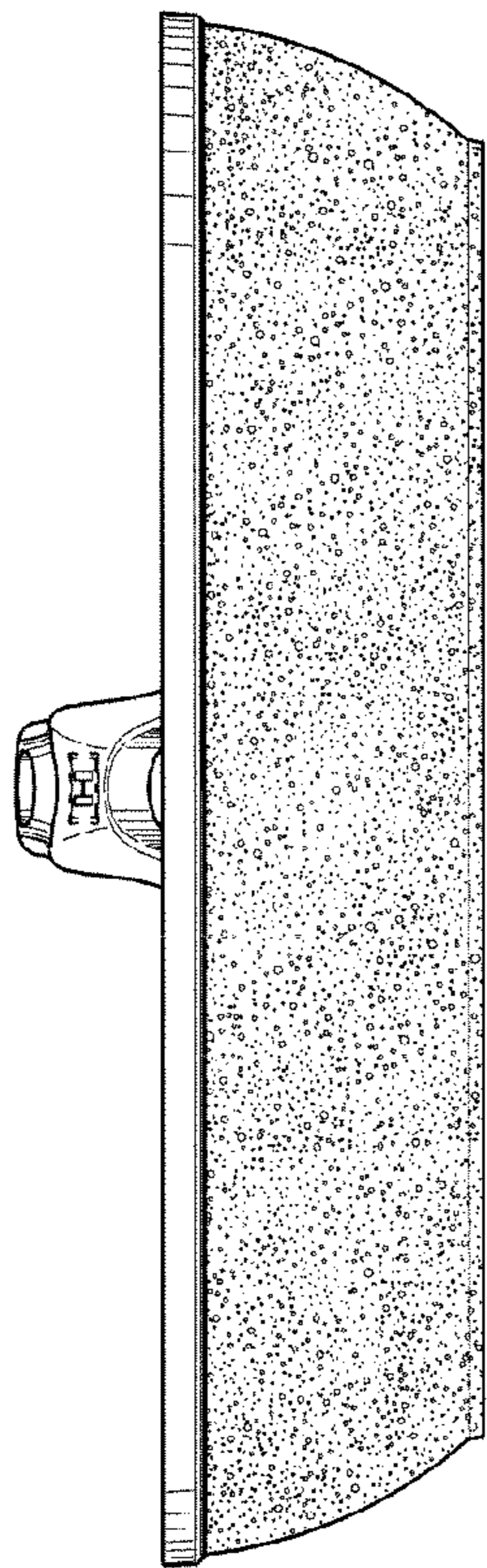


FIG. 9

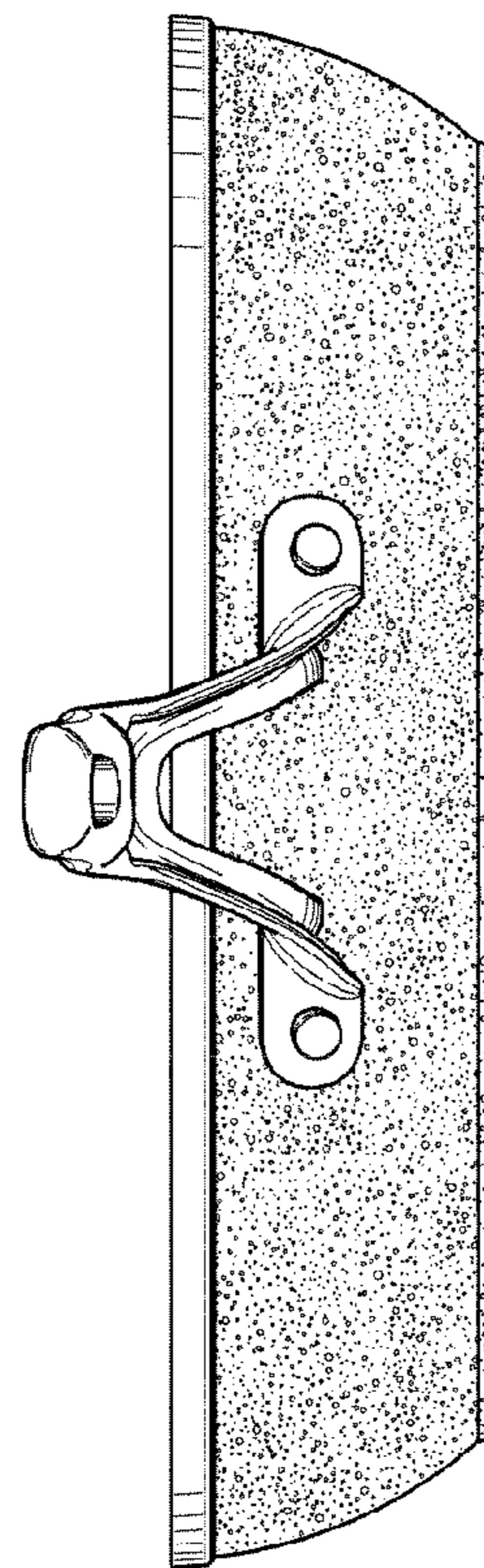


FIG. 10

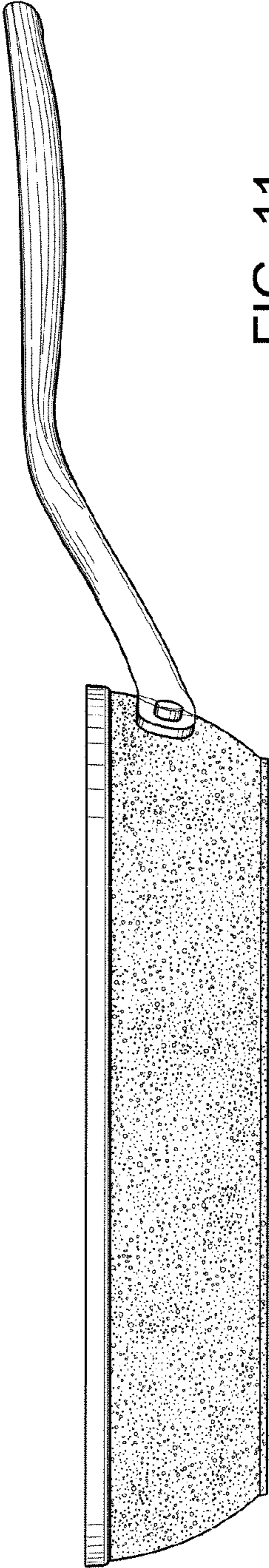


FIG. 11

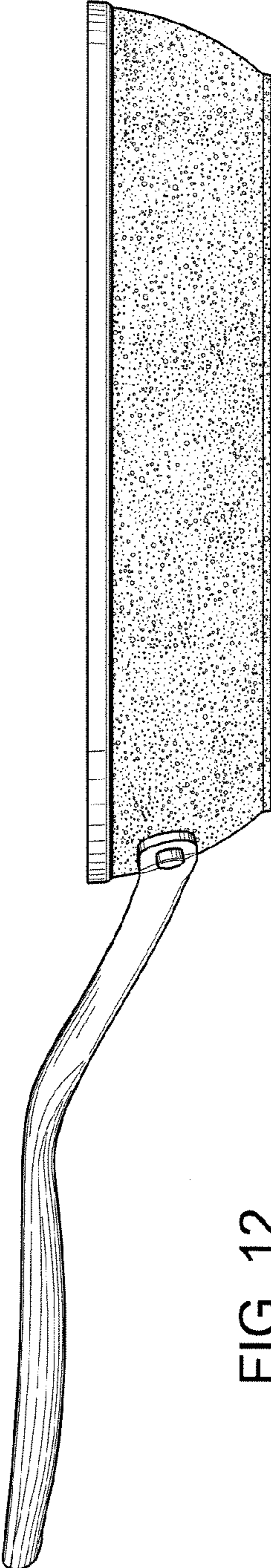


FIG. 12



FIG. 13

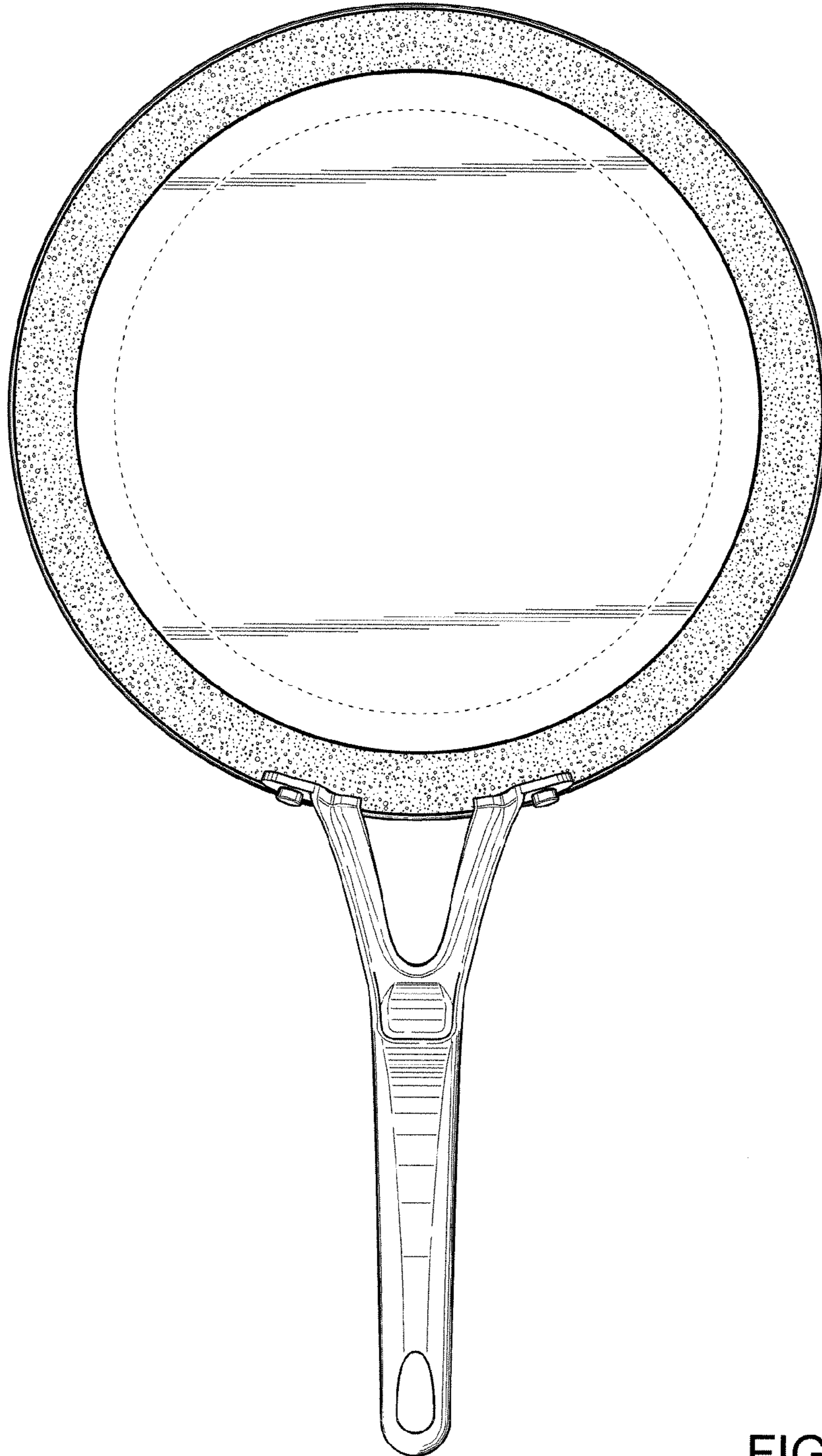


FIG. 14