



US00D763616S

(12) **United States Design Patent**
Kim et al.

(10) **Patent No.:** **US D763,616 S**

(45) **Date of Patent:** **** Aug. 16, 2016**

(54) **OVEN RANGE**

(56) **References Cited**

(71) Applicant: **LG ELECTRONICS INC.**, Seoul (KR)

U.S. PATENT DOCUMENTS

(72) Inventors: **Soo Yeon Kim**, Seoul (KR); **Mi Young Kim**, Seoul (KR); **Gil Su Jung**, Seoul (KR); **Song Yi Han**, Seoul (KR); **Yoon Sang Kim**, Seoul (KR)

D400,424	S	*	11/1998	Lewis	D8/316
D526,527	S	*	8/2006	Jung	D7/348
D580,698	S	*	11/2008	Kim	D7/348
D626,781	S	*	11/2010	Busalt	D7/349
D646,113	S	*	10/2011	Park	D7/348
D671,790	S	*	12/2012	Busalt	D7/349
D724,889	S	*	3/2015	Borjesson	D7/349
D736,027	S	*	8/2015	Funnell, II	D7/339
D741,104	S	*	10/2015	Funnell, II	D7/348
D745,311	S	*	12/2015	Funnell, II	D7/349
D750,413	S	*	3/2016	Funnell, II	D7/348
D750,414	S	*	3/2016	Funnell, II	D7/348

(73) Assignee: **LG Electronics Inc.**, Seoul (KR)

(**) Term: **14 Years**

* cited by examiner

(21) Appl. No.: **29/514,006**

(22) Filed: **Jan. 7, 2015**

Primary Examiner — Ricky Pham

(30) **Foreign Application Priority Data**

(74) *Attorney, Agent, or Firm* — Birch, Stewart, Kolasch & Birch, LLP

Jul. 31, 2014 (KR) 30-2014-0037669

(51) **LOC (10) Cl.** **07-02**

(57) **CLAIM**

We claim the ornamental design for an oven range, as shown and described.

(52) **U.S. Cl.**

DESCRIPTION

USPC **D7/340**; D7/339; D7/348

(58) **Field of Classification Search**

USPC D7/323, 328–330, 339–349, 390, D7/402–406; D8/300–306, 316

CPC A21B 2/00; A47J 37/00; A47J 37/06;

A47J 37/0611; A47J 37/08; A47J 37/0807;

A47J 37/0814; A47J 37/0835; A47J 37/0842;

A47J 37/085; A47J 37/0864; A47J 37/0878;

A47J 37/0885; A47J 37/0892; F24C 7/00;

F24C 7/002; F24C 7/046; F24C 7/067;

F24C 15/02; F24C 15/04; F24C 15/10;

F24C 15/102

FIG. 1 is a perspective view of an oven range showing our new design:

FIG. 2 is a front elevation view thereof;

FIG. 3 is a rear elevation view thereof;

FIG. 4 is a left-side elevation view thereof;

FIG. 5 is a right-side elevation view thereof;

FIG. 6 is a top plan view thereof; and,

FIG. 7 is a bottom plan view thereof.

The broken lines in the drawing figures are included for the purpose of illustrating environment and form no part of the claimed design.

See application file for complete search history.

1 Claim, 6 Drawing Sheets

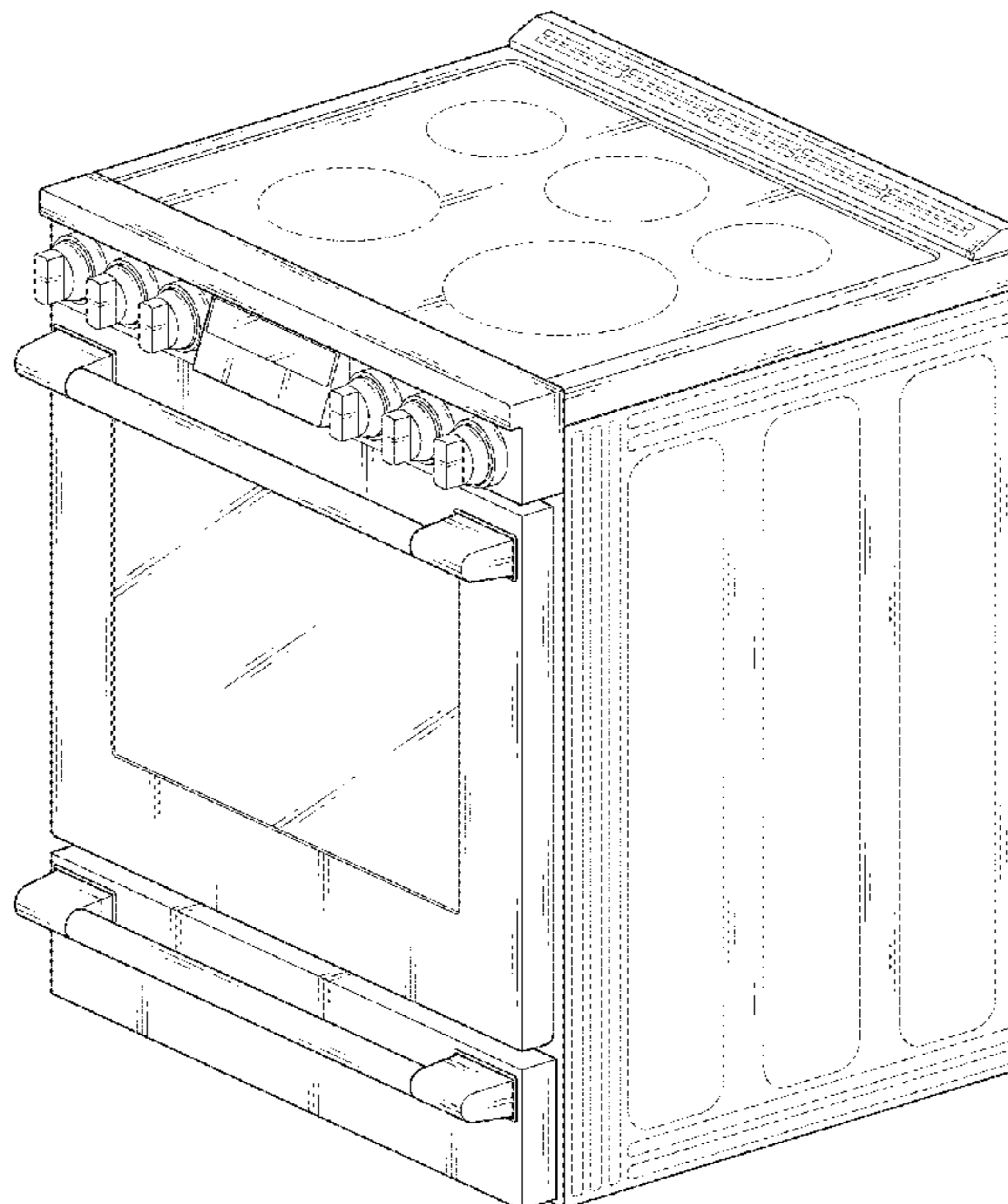


FIG. 1

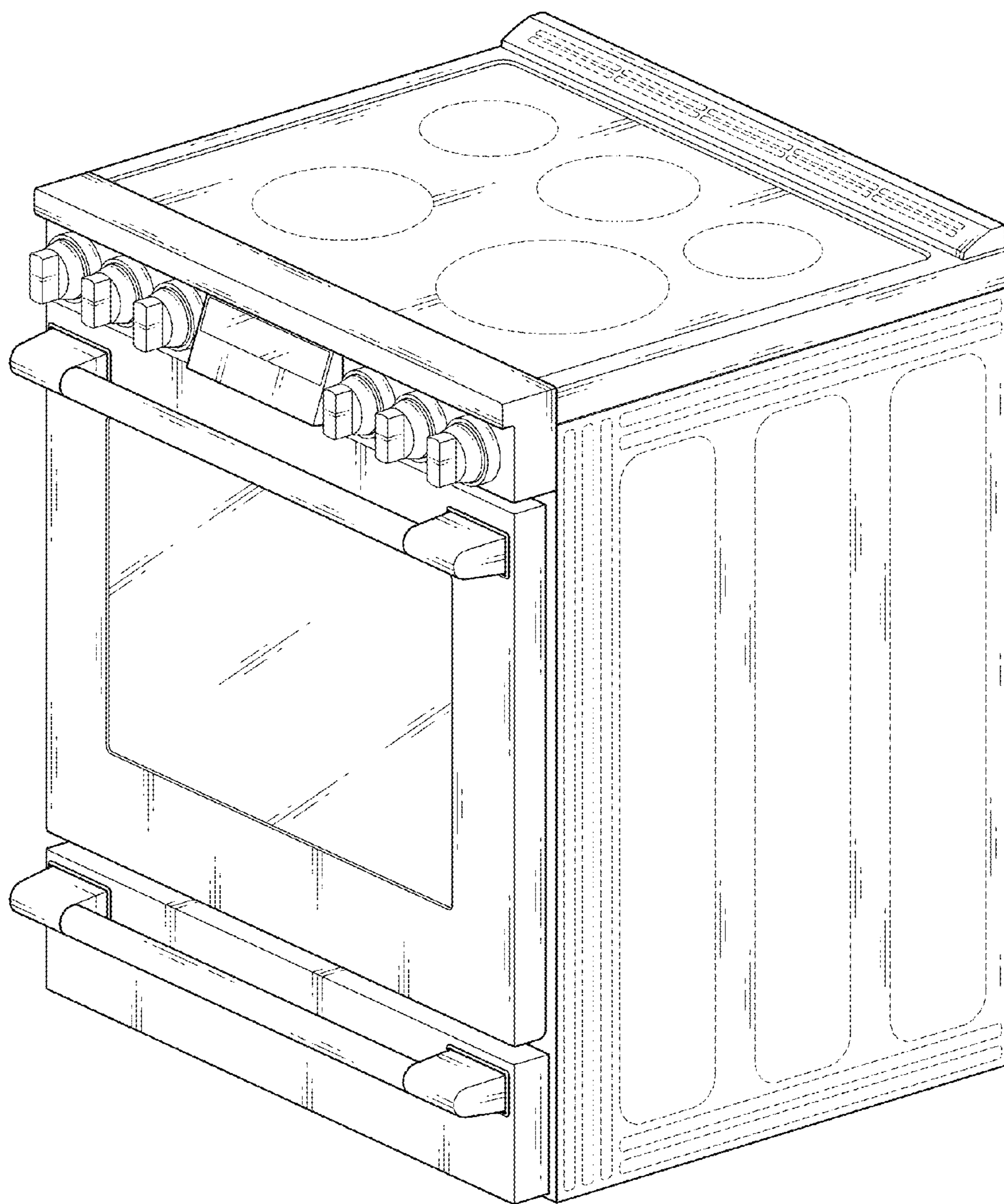


FIG. 2

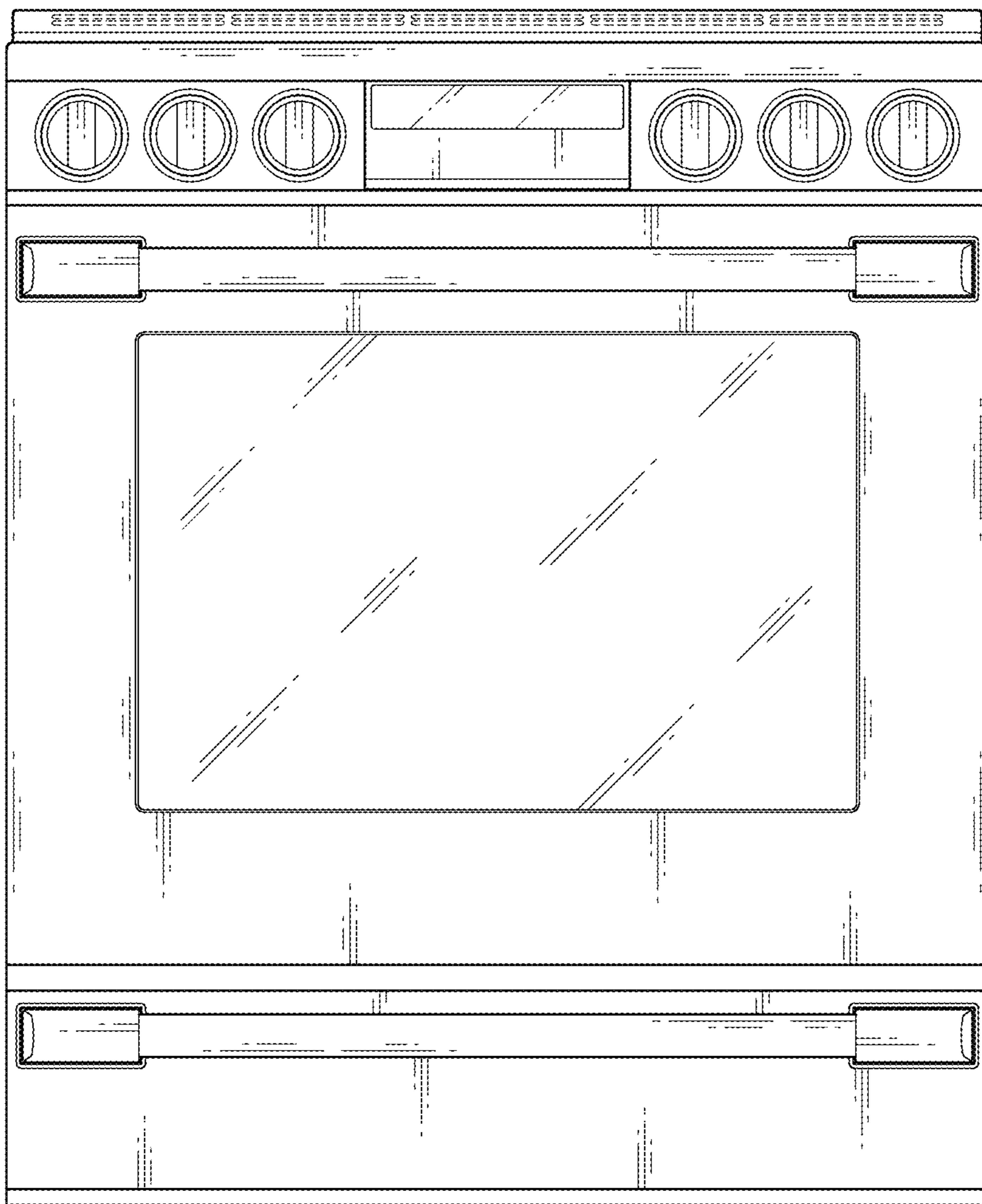


FIG. 3



FIG. 4

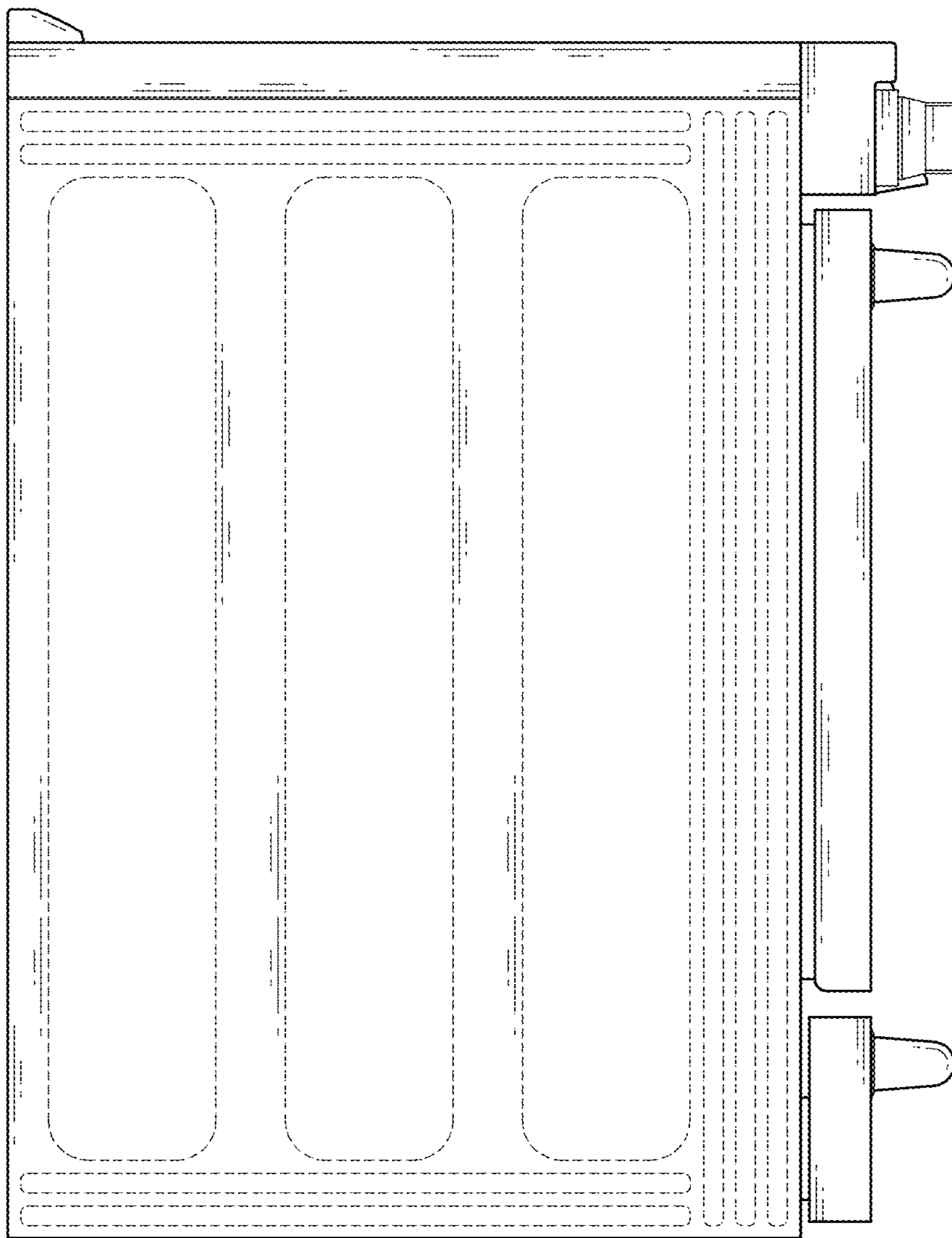


FIG. 5

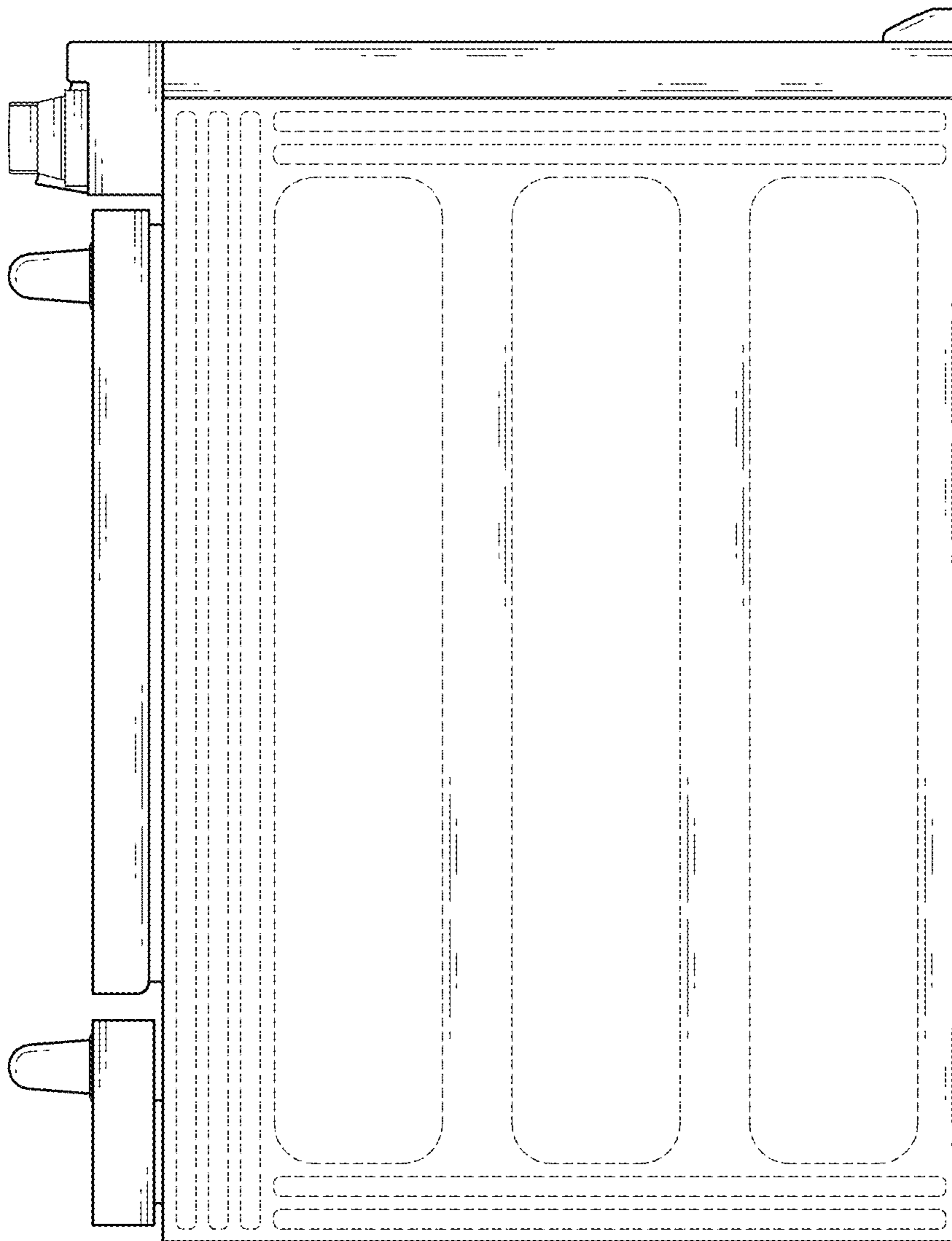


FIG. 6

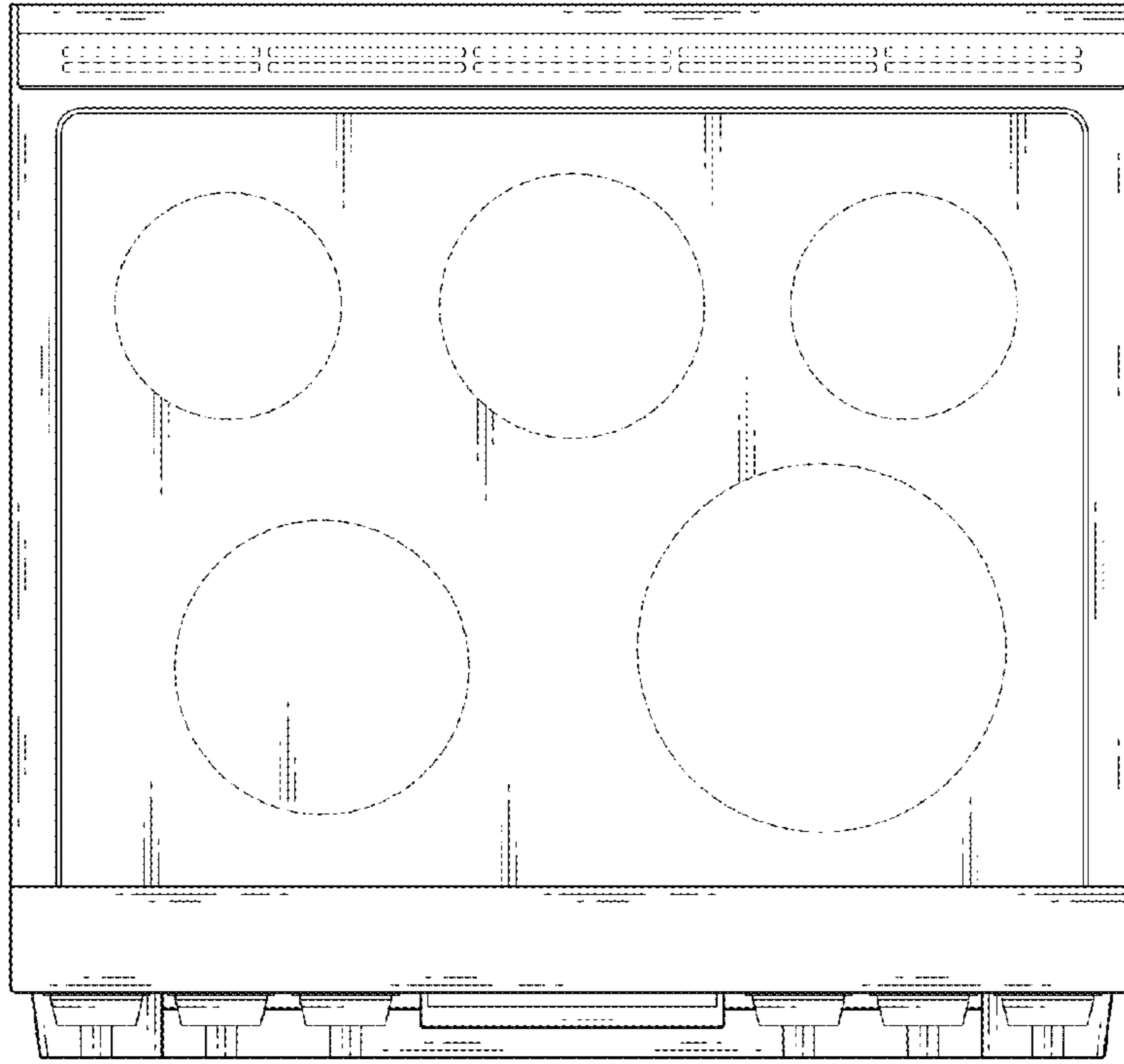


FIG. 7

