



US00D763613S

(12) **United States Design Patent**
Han et al.

(10) **Patent No.:** **US D763,613 S**
(45) **Date of Patent:** **** Aug. 16, 2016**

- (54) **BREWING MACHINE**
- (71) Applicant: **Teforia Company**, Mountain View, CA (US)
- (72) Inventors: **Allen M. Han**, Mountain View, CA (US); **Chung Ming Ying**, Taichung (TW); **I-Hsuan Tsai**, Taichung (TW)
- (73) Assignee: **Teforia Company**, Mountain View, CA (US)
- (**) Term: **15 Years**
- (21) Appl. No.: **29/540,379**
- (22) Filed: **Sep. 23, 2015**
- (51) **LOC (10) Cl.** **07-01**
- (52) **U.S. Cl.**
USPC **D7/306; D7/311**
- (58) **Field of Classification Search**
USPC D7/306-311, 305, 300; 99/279, 284, 99/290, 280, 299, 307, 297, 300; 426/435; 126/39 E
CPC A47J 31/44; A47J 31/00; A47J 31/46; A47J 31/10
See application file for complete search history.

D628,007 S *	11/2010	Di Bitonto	D7/309
D693,165 S *	11/2013	Averty	D7/309
D701,071 S *	3/2014	Buttler	D7/306
D712,188 S *	9/2014	Averty	D7/309
D719,391 S *	12/2014	De Pra	D7/309
D719,392 S *	12/2014	De Pra	D7/309
D719,393 S *	12/2014	De Pra	D7/309
D721,911 S *	2/2015	Cauwood	D7/306
D726,483 S *	4/2015	Lin	D7/309
D728,988 S *	5/2015	Warburton	D7/309
D739,169 S *	9/2015	Shao	D7/309
9,161,658 B2 *	10/2015	Clark	A47J 31/4467
D742,159 S *	11/2015	Doria	D7/309
2013/0004629 A1 *	1/2013	Clark	A47J 31/4467
				426/231
2015/0289712 A1 *	10/2015	Choi	A47J 31/54
				99/300

* cited by examiner

Primary Examiner — Marianne Pandozzi
(74) *Attorney, Agent, or Firm* — Cooley LLP

(57) **CLAIM**
The ornamental design for a brewing machine, as shown and described.

DESCRIPTION

FIG. 1 is a front perspective view of a brewing machine showing our new design;
FIG. 2 is a right side view thereof;
FIG. 3 is a left side view thereof;
FIG. 4 is a top view thereof;
FIG. 5 is a front view thereof;
FIG. 6 is a rear view thereof; and,
FIG. 7 is a bottom view thereof.

1 Claim, 4 Drawing Sheets

- (56) **References Cited**
U.S. PATENT DOCUMENTS
- D408,208 S * 4/1999 Hsu D7/309
- D499,926 S * 12/2004 Cahen D7/300
- D573,392 S * 7/2008 Smith D7/306
- D589,291 S * 3/2009 Jerstroem D7/306

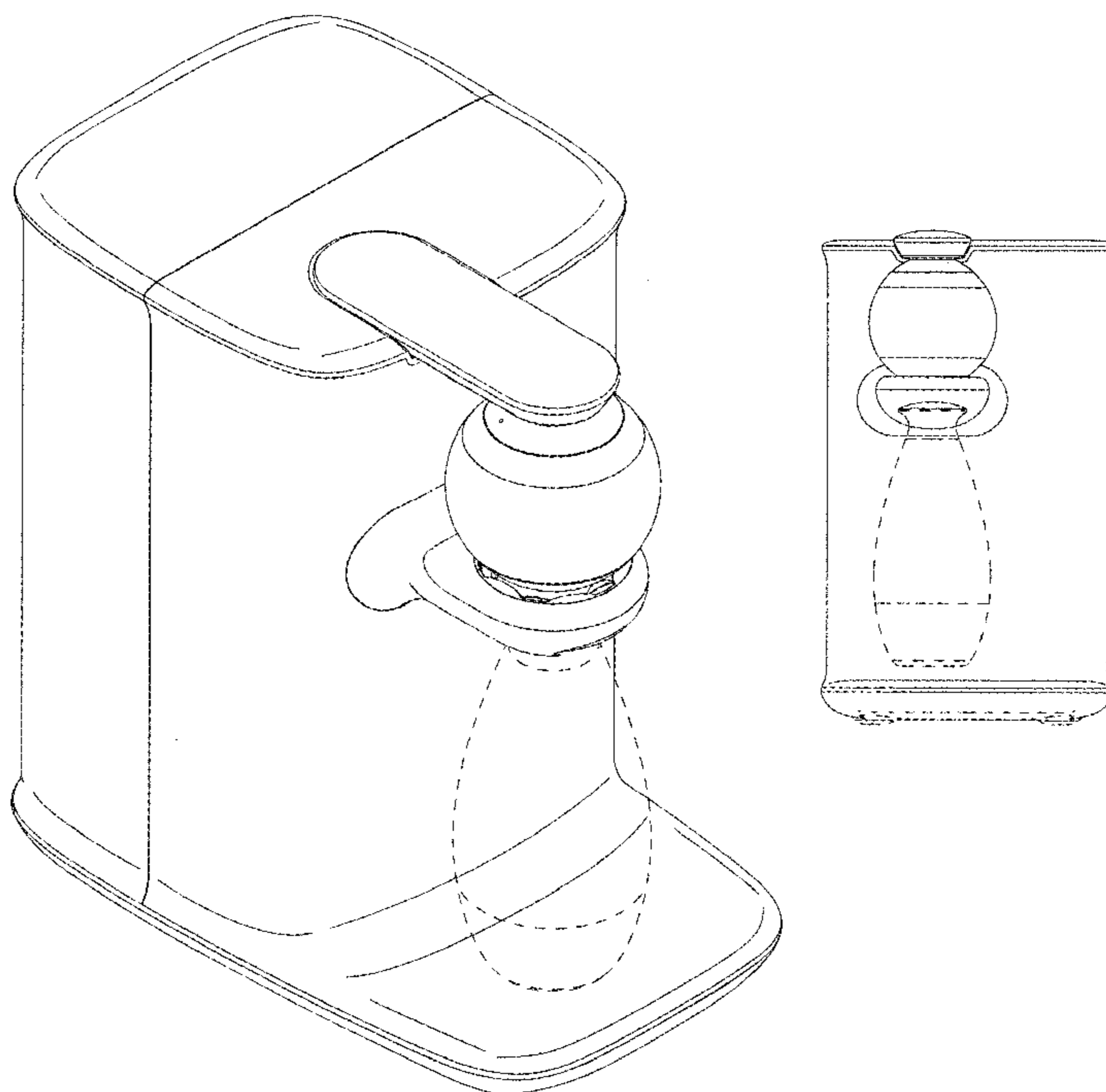
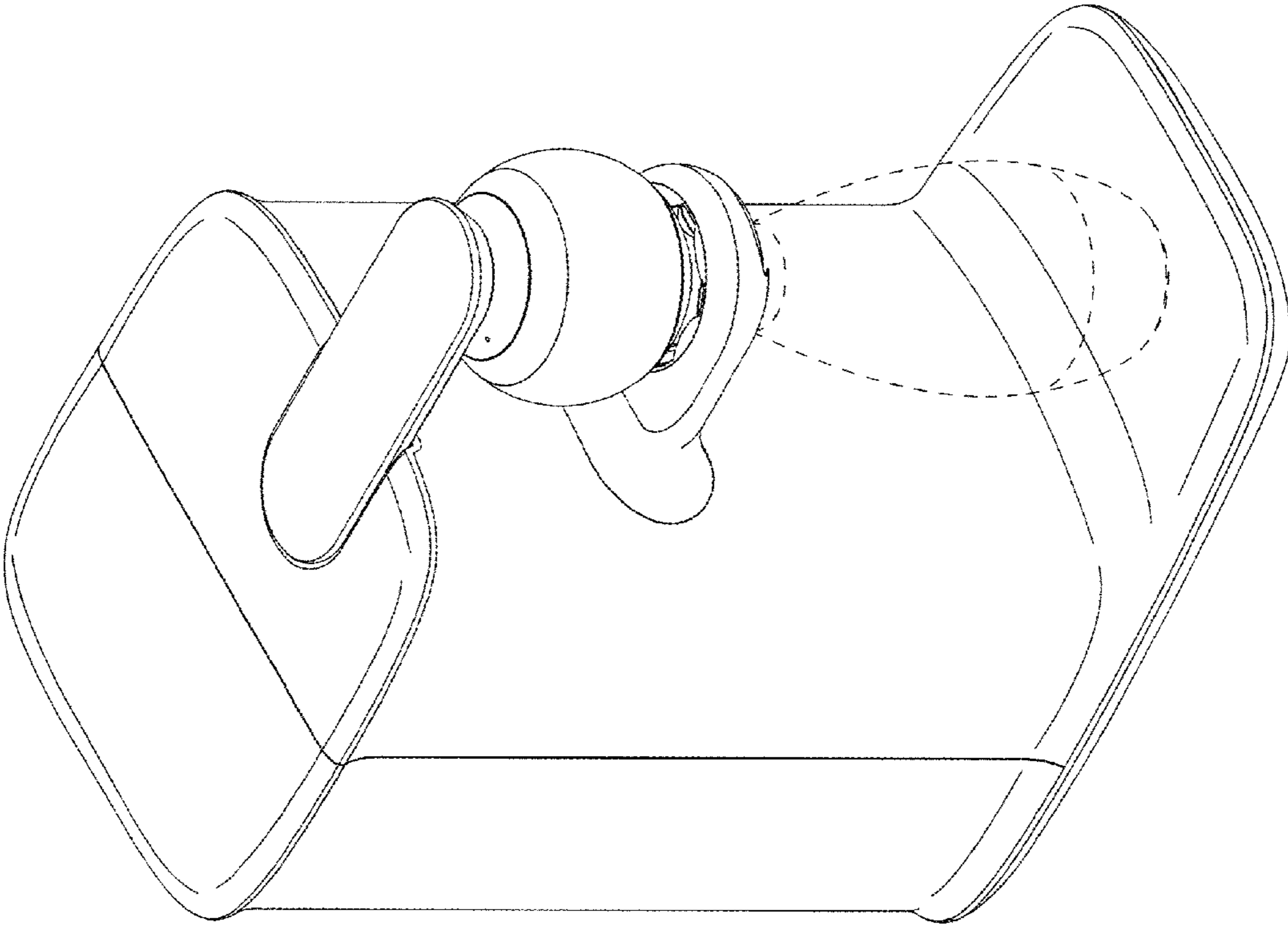


FIG. 1



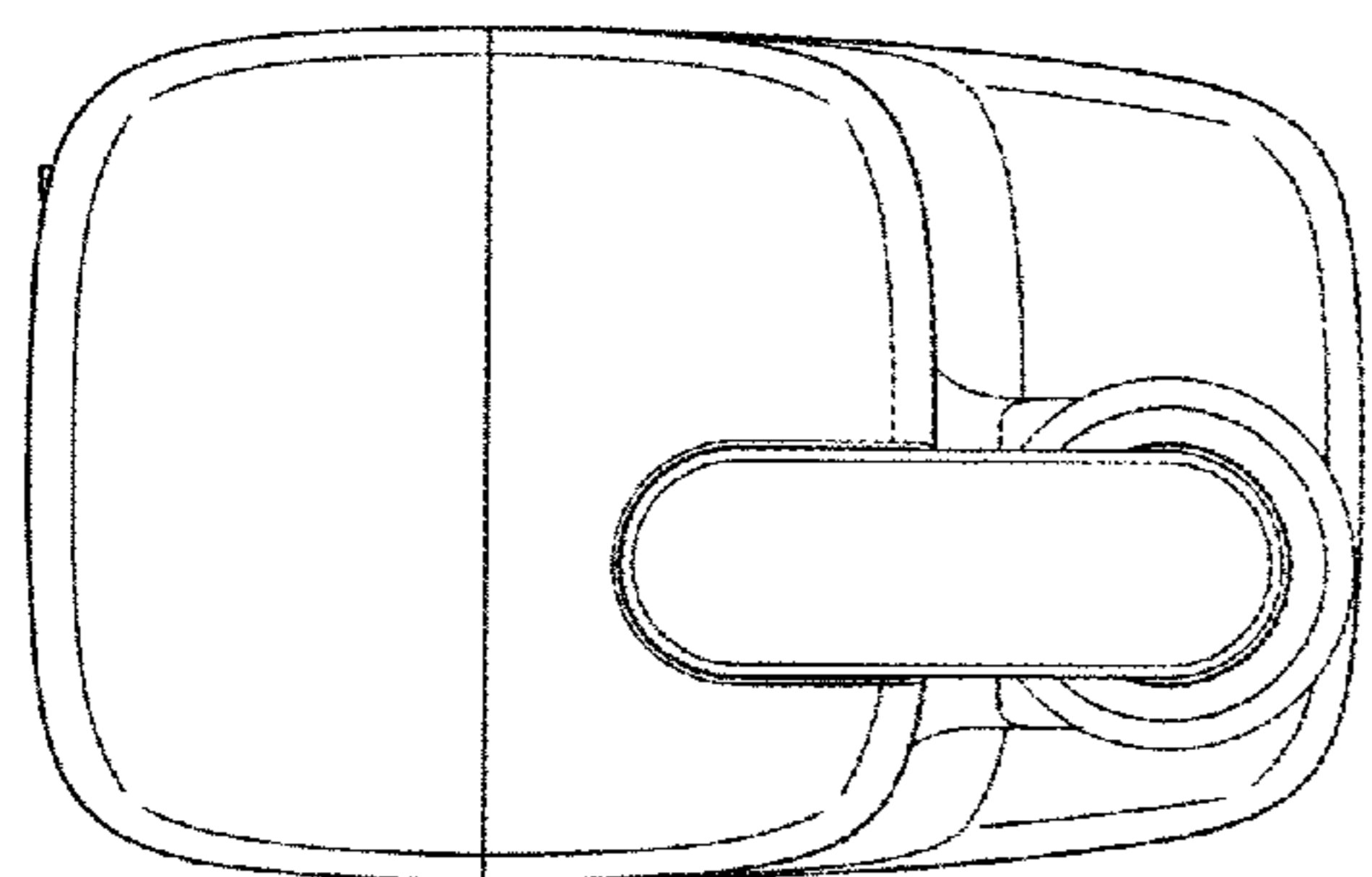


FIG. 4

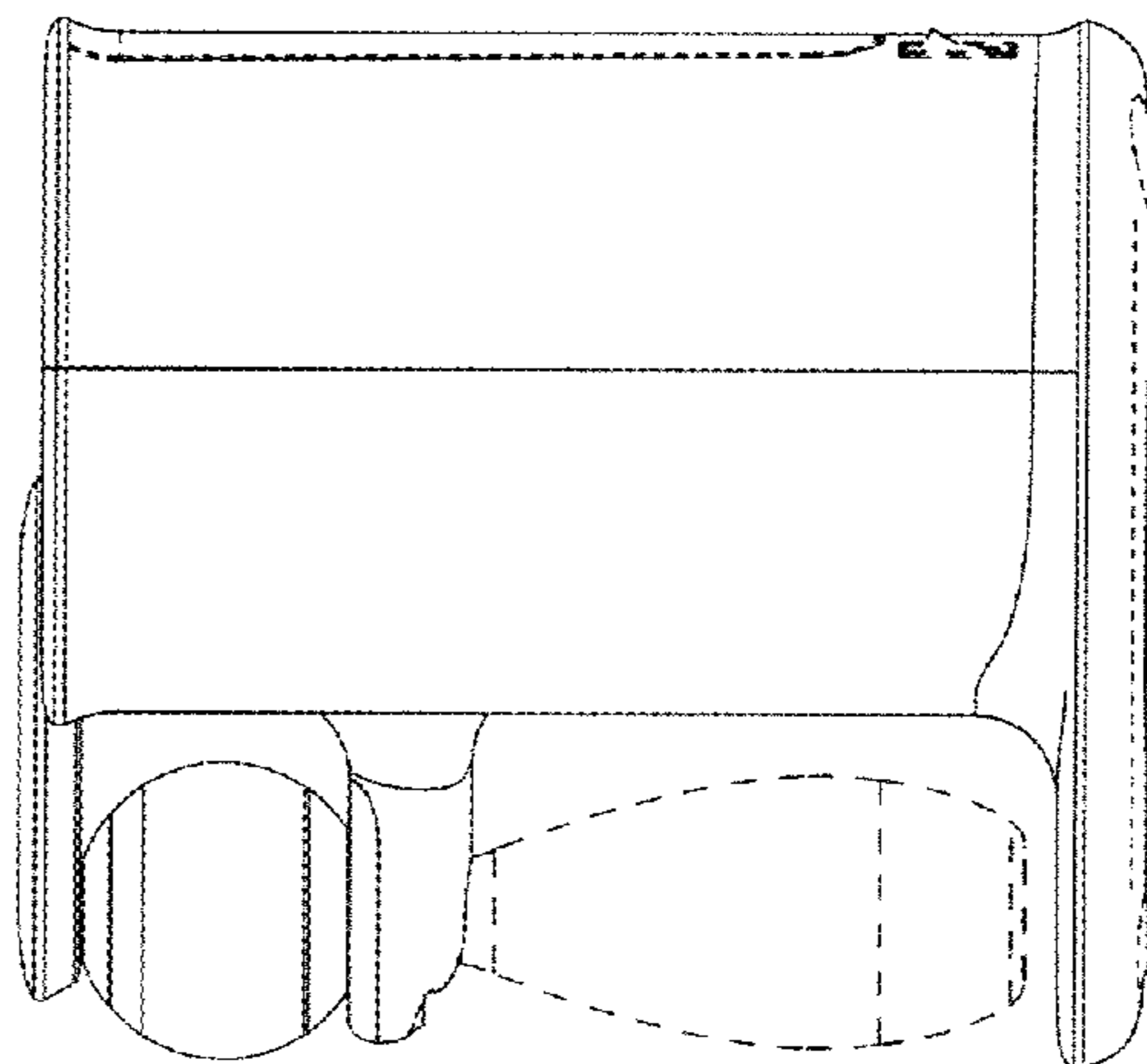


FIG. 2

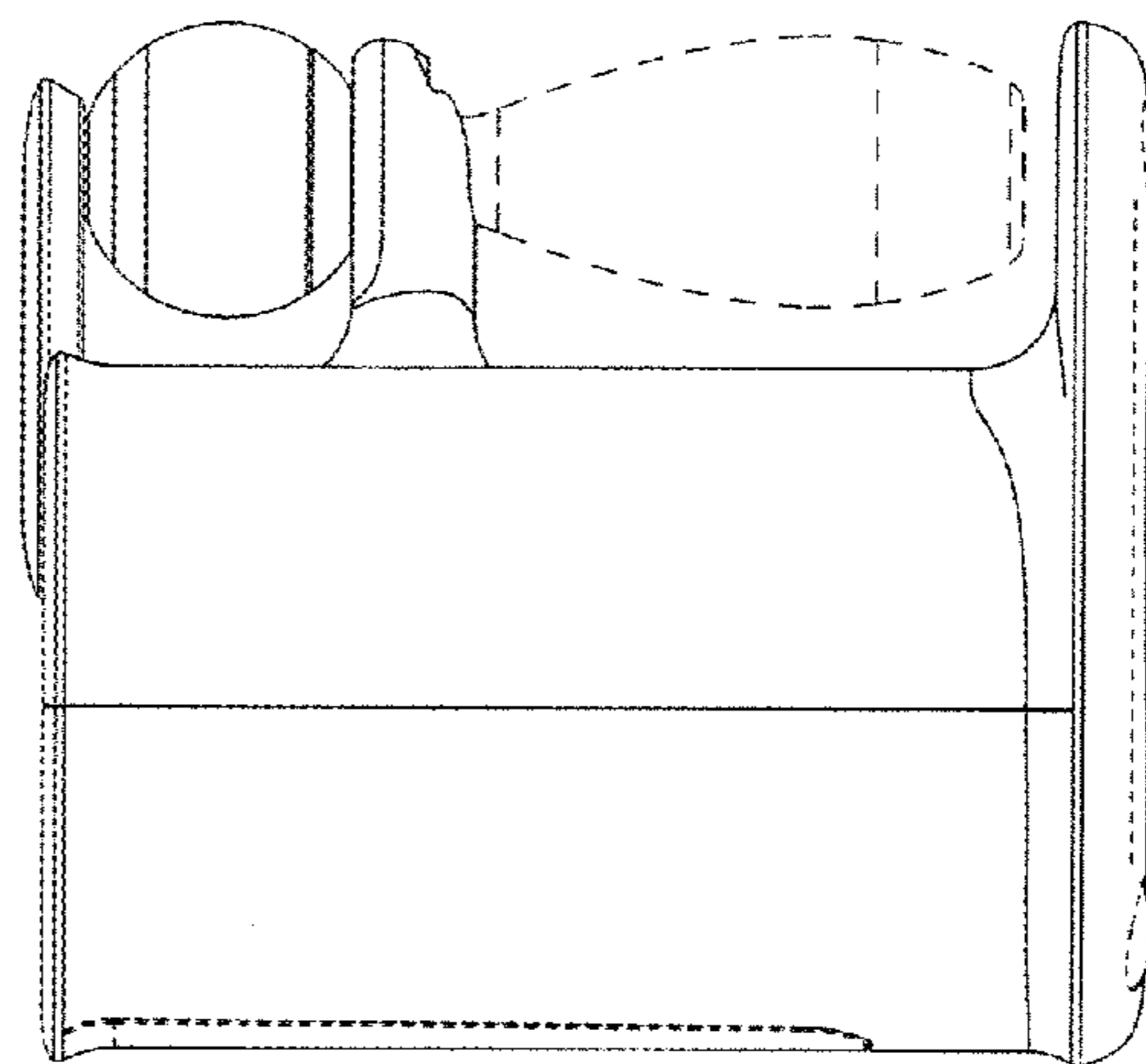


FIG. 3

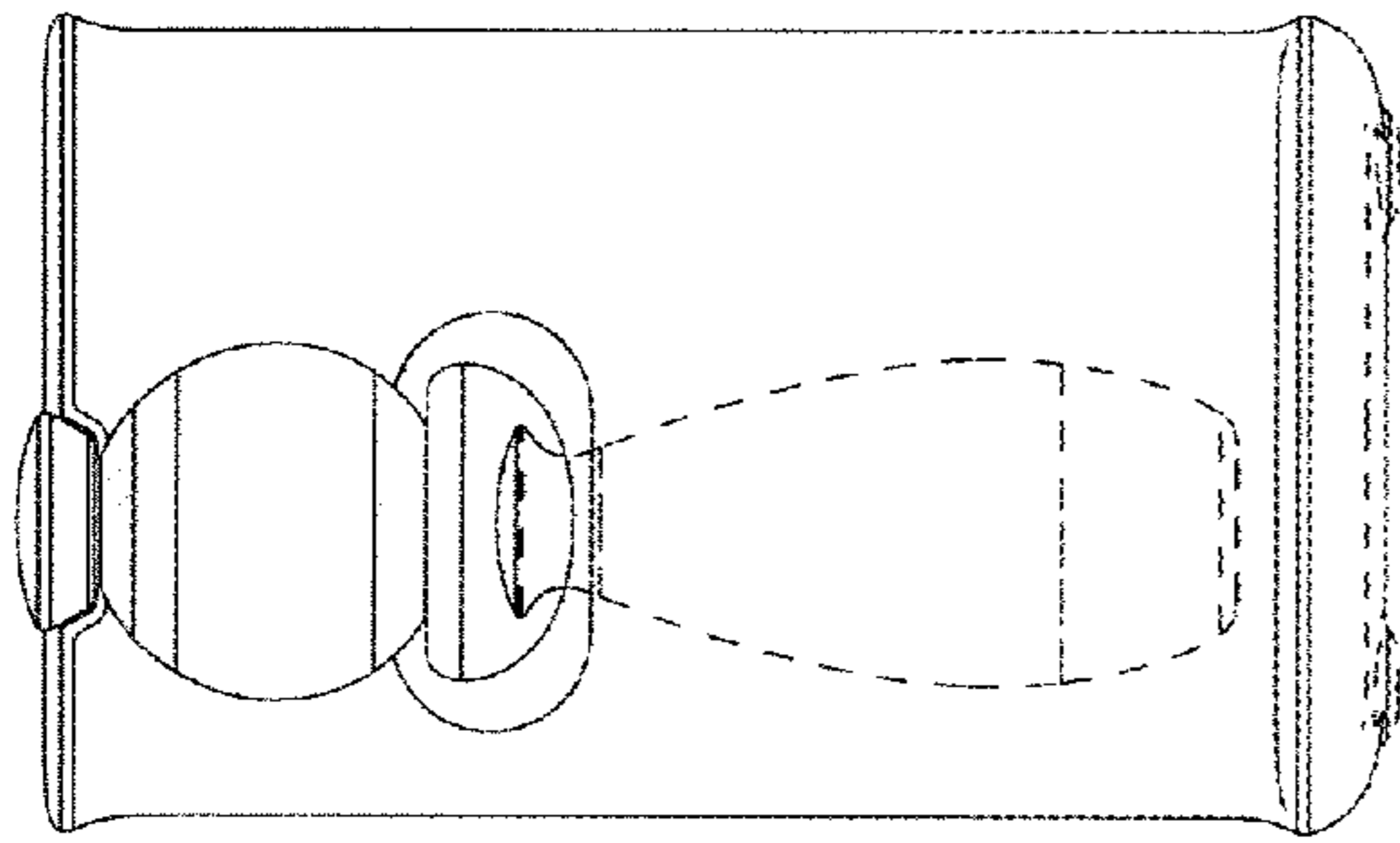


FIG. 5

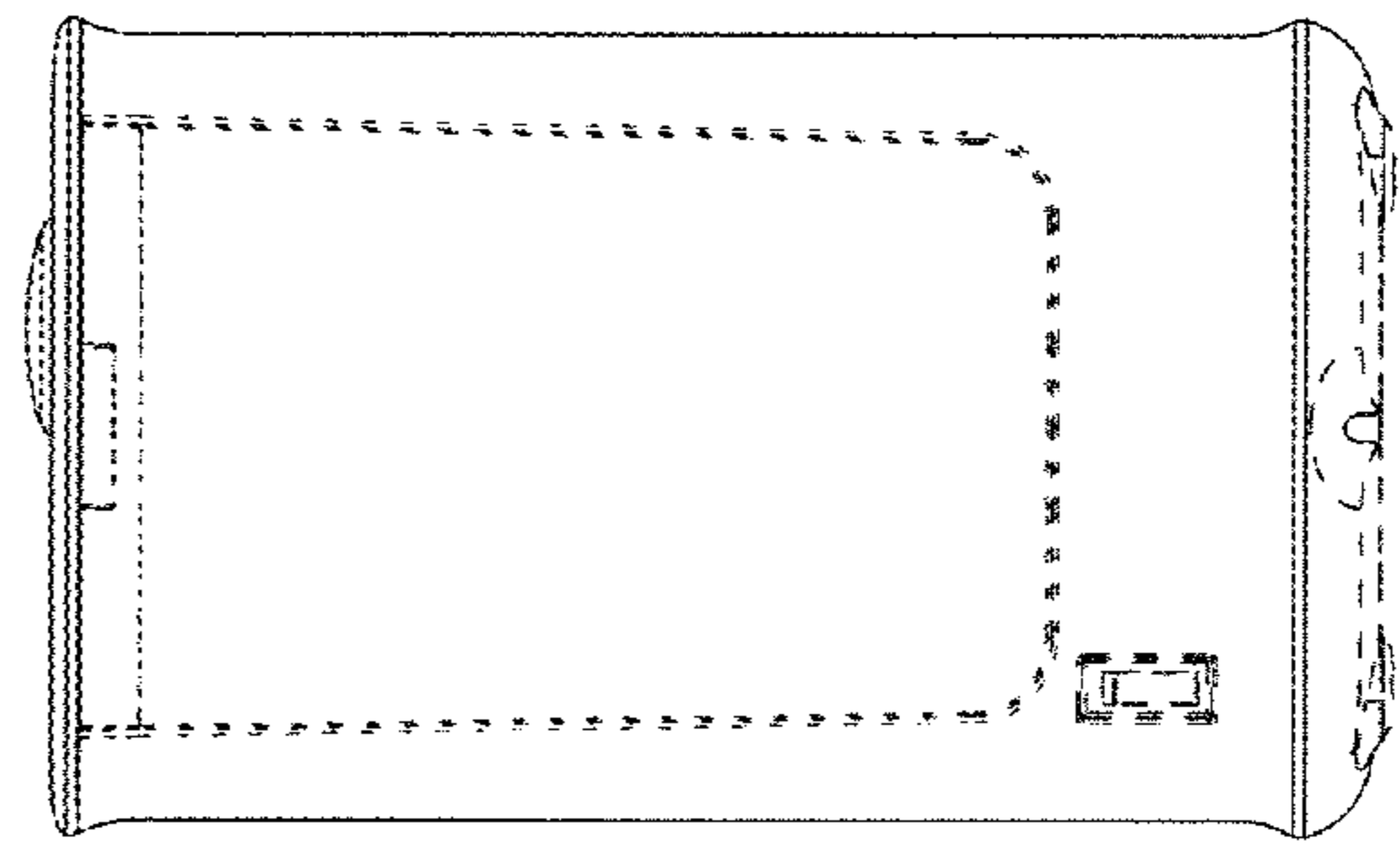


FIG. 6

FIG. 7

