



US00D763612S

(12) **United States Design Patent**  
**Goetz**

(10) **Patent No.:** **US D763,612 S**

(45) **Date of Patent:** **\*\* Aug. 16, 2016**

(54) **CHAIR**

(71) Applicant: **HERMAN MILLER, INC.**, Zeeland, MI (US)

(72) Inventor: **Mark Goetz**, Brooklyn, NY (US)

(73) Assignee: **Herman Miller, Inc.**, Zeeland, MI (US)

(\*\*) Term: **14 Years**

(21) Appl. No.: **29/512,753**

(22) Filed: **Dec. 22, 2014**

(51) **LOC (10) Cl.** ..... **06-01**

(52) **U.S. Cl.**  
USPC ..... **D6/716**

(58) **Field of Classification Search**  
USPC ..... D6/334-336, 364, 365, 366, 374, 375,  
D6/379, 380, 716, 716.1, 716.2, 716.4  
CPC ..... A47C 7/16; A47C 7/54; A47C 7/022;  
A47C 7/40; A47C 7/18; A47C 7/22; A47C  
7/24

See application file for complete search history.

(56) **References Cited**

**U.S. PATENT DOCUMENTS**

D535,838 S *	1/2007	Ritch	.....	D6/366
D546,085 S *	7/2007	Ritch	.....	D6/366
D557,916 S *	12/2007	Dietrich	.....	D6/366
D646,085 S *	10/2011	Overthun	.....	D6/375
D667,243 S *	9/2012	Su	.....	D6/716
D703,459 S *	4/2014	Nakamura	.....	D6/366

D705,587 S *	5/2014	Caruso	.....	D6/716
D726,468 S *	4/2015	McKenna	.....	D6/716
D731,801 S *	6/2015	MckKenna	.....	D6/366

\* cited by examiner

*Primary Examiner* — Mimoso De

(74) *Attorney, Agent, or Firm* — Michael Best & Friedrich LLP

(57) **CLAIM**

The ornamental design for a chair, as shown and described.

**DESCRIPTION**

FIG. 1 is a perspective view of a first embodiment of a chair including a seat and backrest;

FIG. 2 is left side view of the chair shown in FIG. 1 with a right side view being a mirror image thereof;

FIG. 3 is a front view of the chair shown in FIG. 1;

FIG. 4 is a rear view of the chair shown in FIG. 1;

FIG. 5 is a bottom view of the chair shown in FIG. 1;

FIG. 6 is a top view of the chair shown in FIG. 1;

FIG. 7 is a perspective view of a second embodiment of a chair including a seat and backrest;

FIG. 8 is left side view of the chair shown in FIG. 7 with a right side view being a mirror image thereof;

FIG. 9 is a front view of the chair shown in FIG. 7;

FIG. 10 is a rear view of the chair shown in FIG. 7;

FIG. 11 is a bottom view of the chair shown in FIG. 7; and,

FIG. 12 is a top view of the chair shown in FIG. 7.

The broken lines shown in the drawing are for illustrative purposes only and forms no part of the claimed design.

**1 Claim, 8 Drawing Sheets**

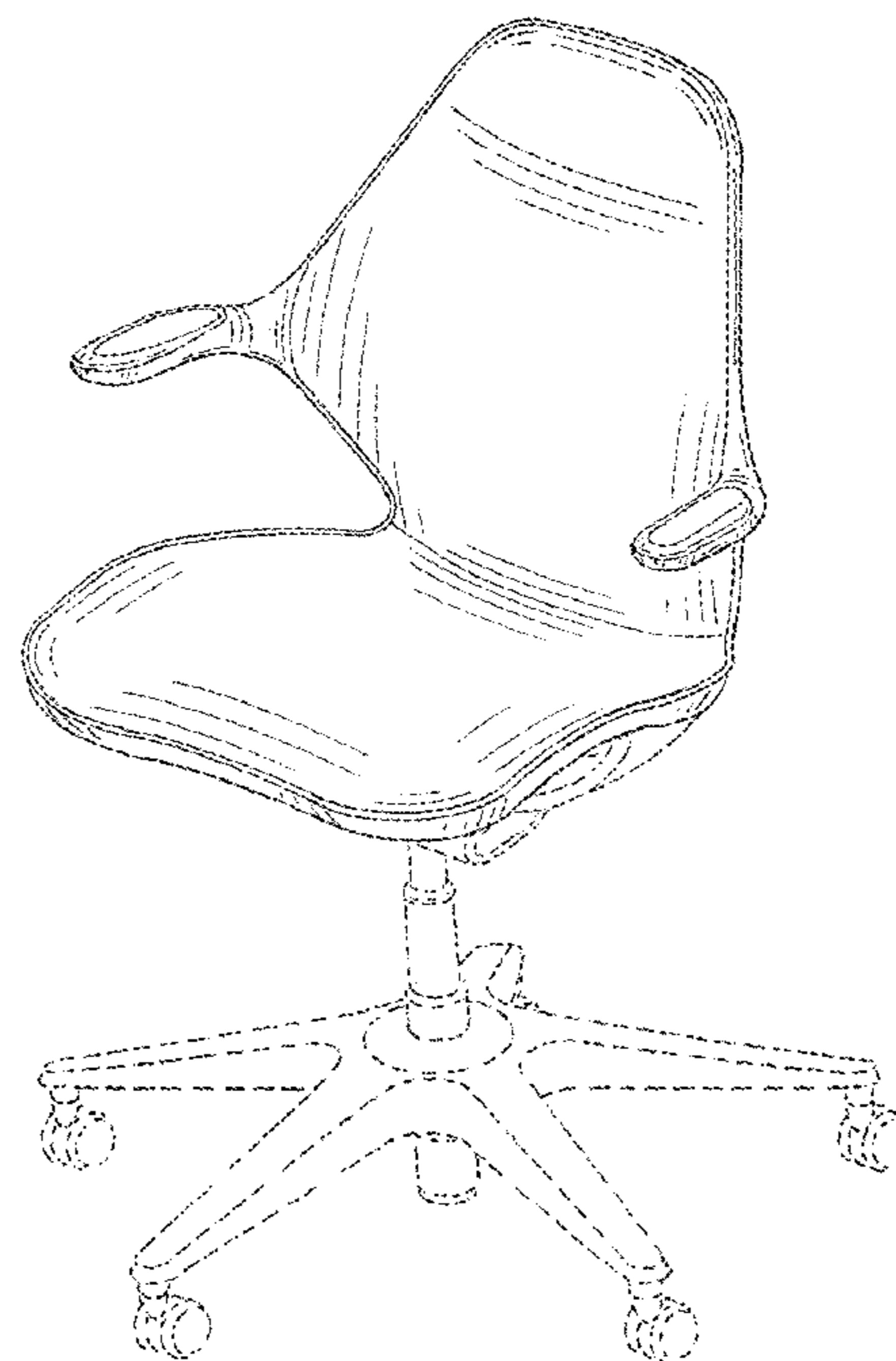
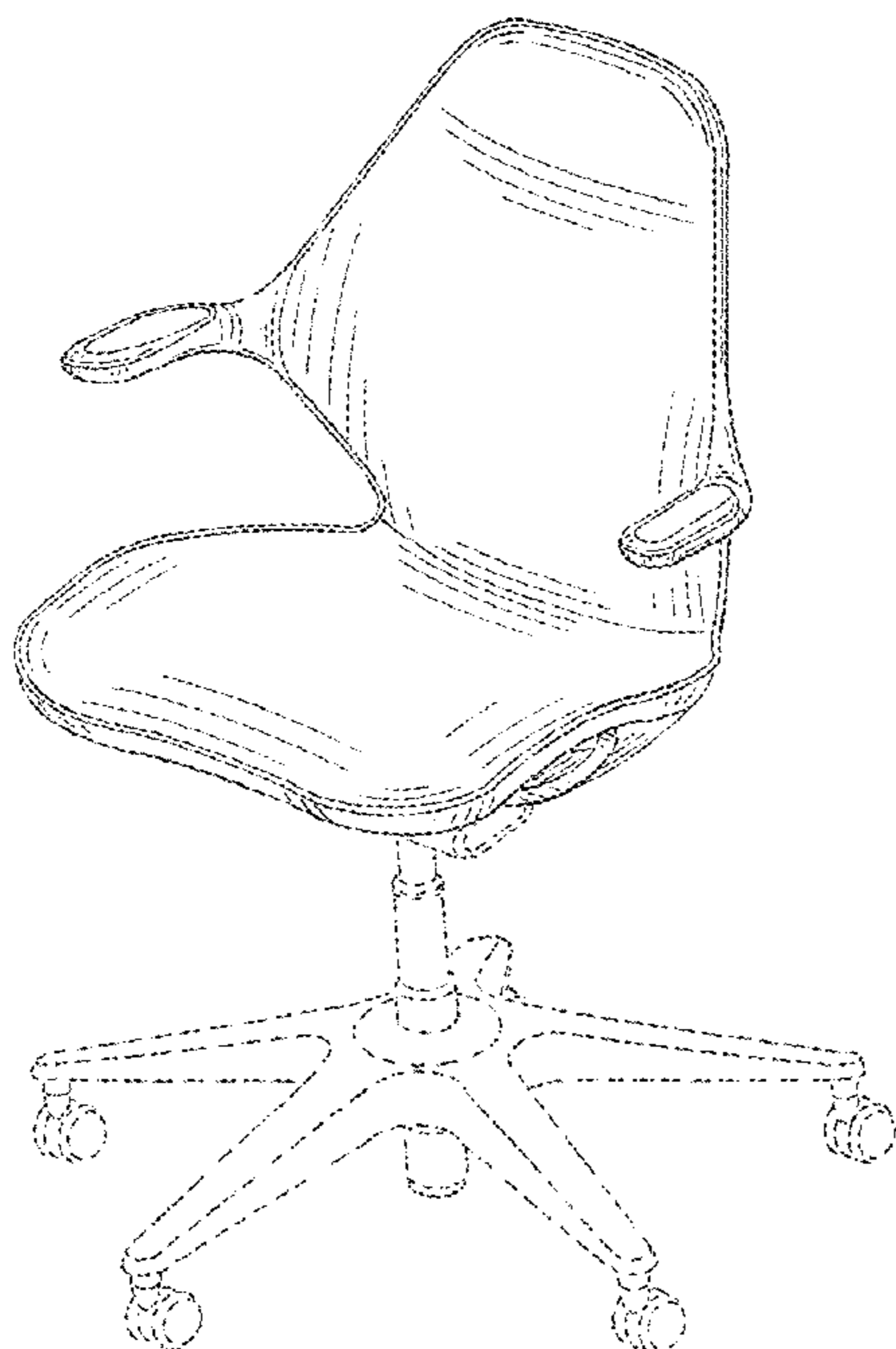


FIG. 1

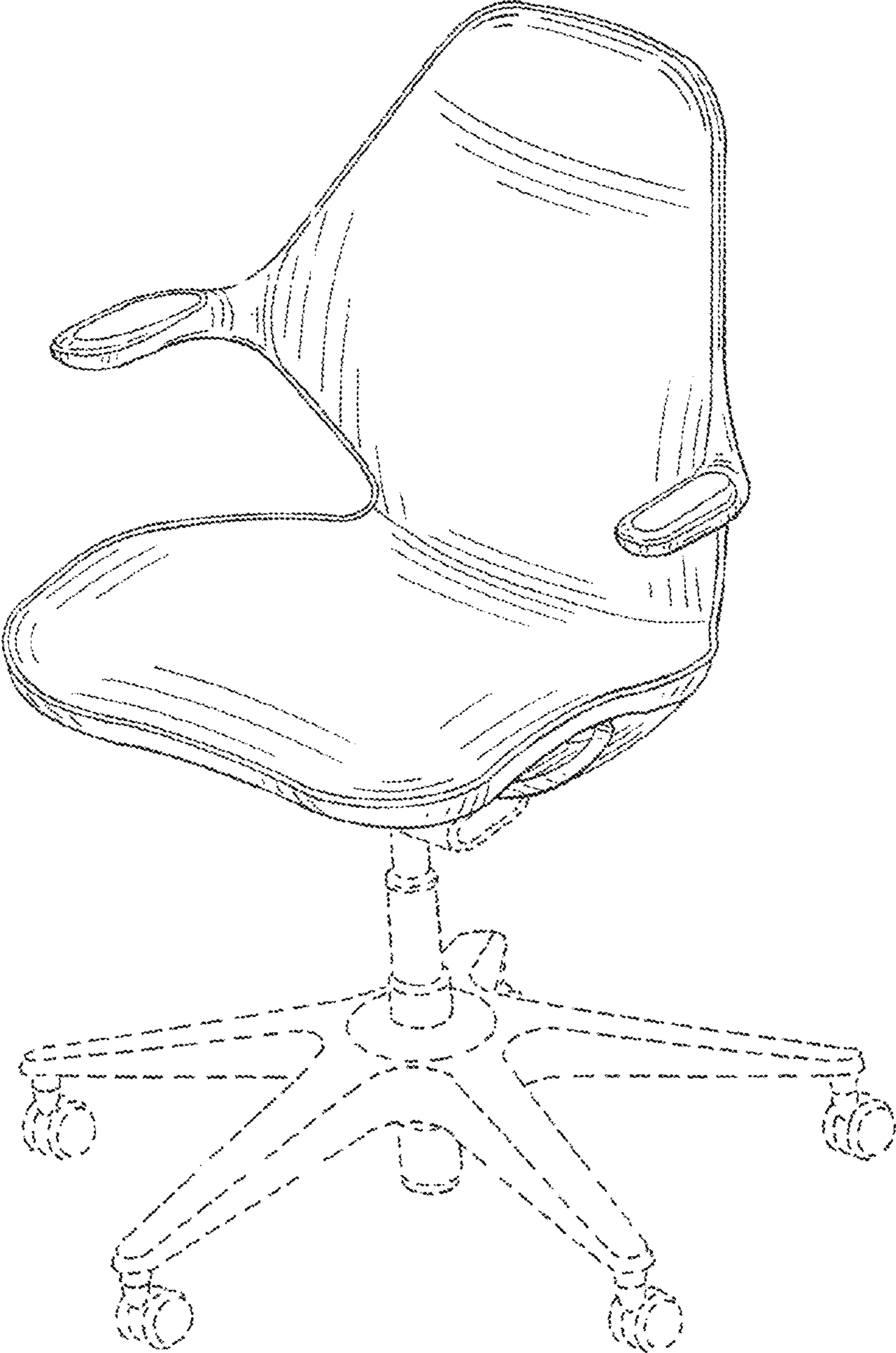


FIG. 2

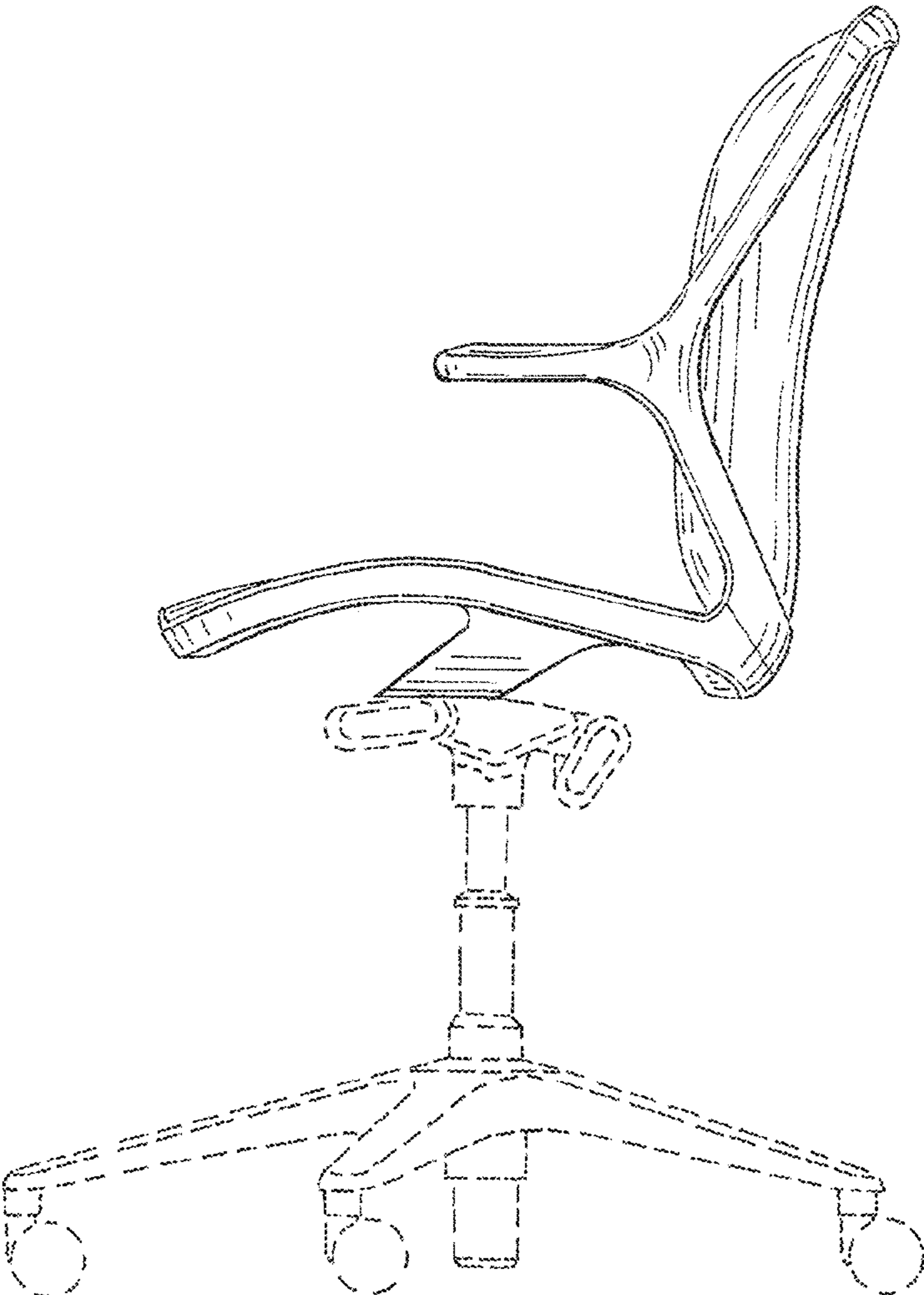


FIG. 4

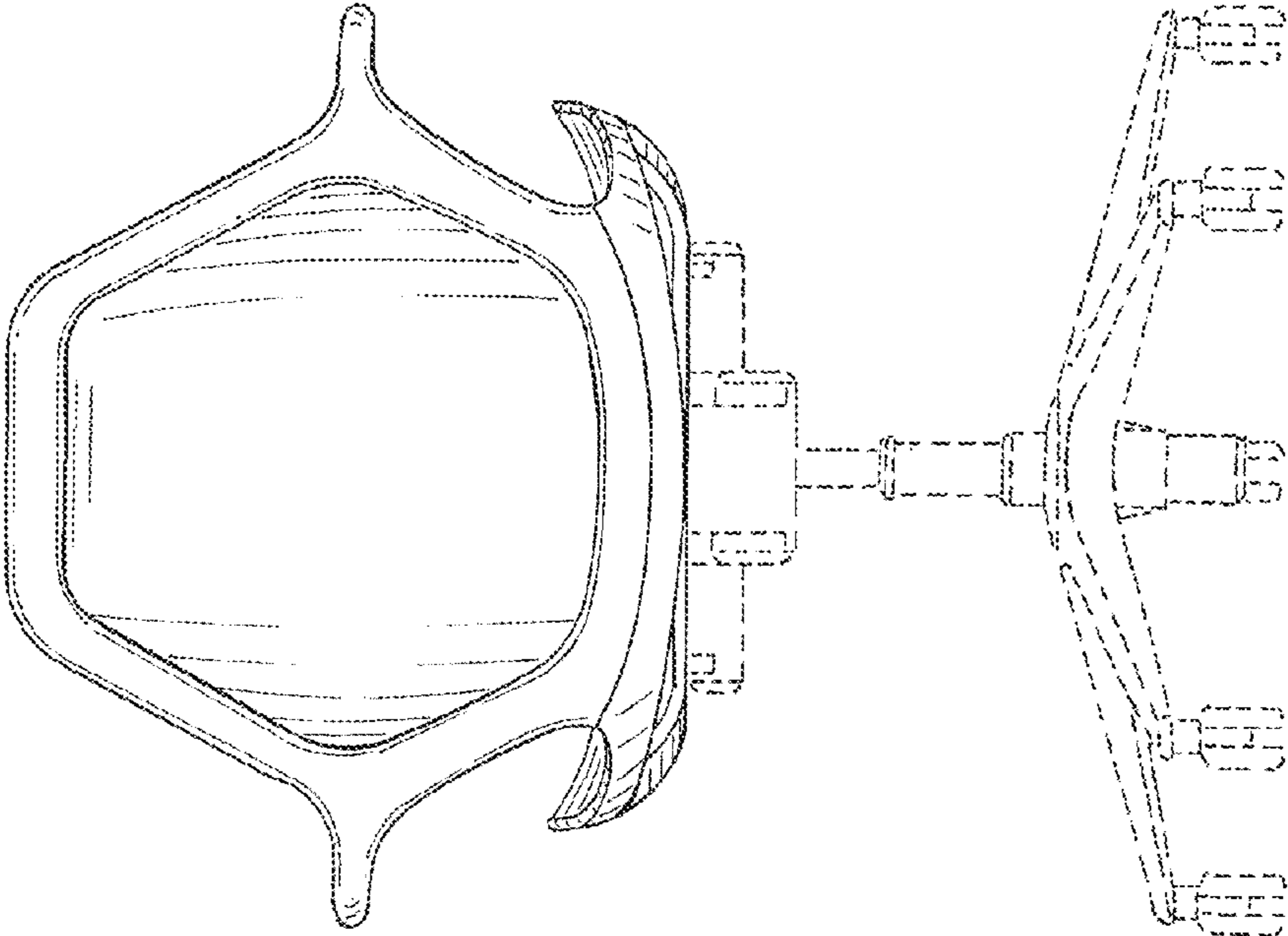


FIG. 3

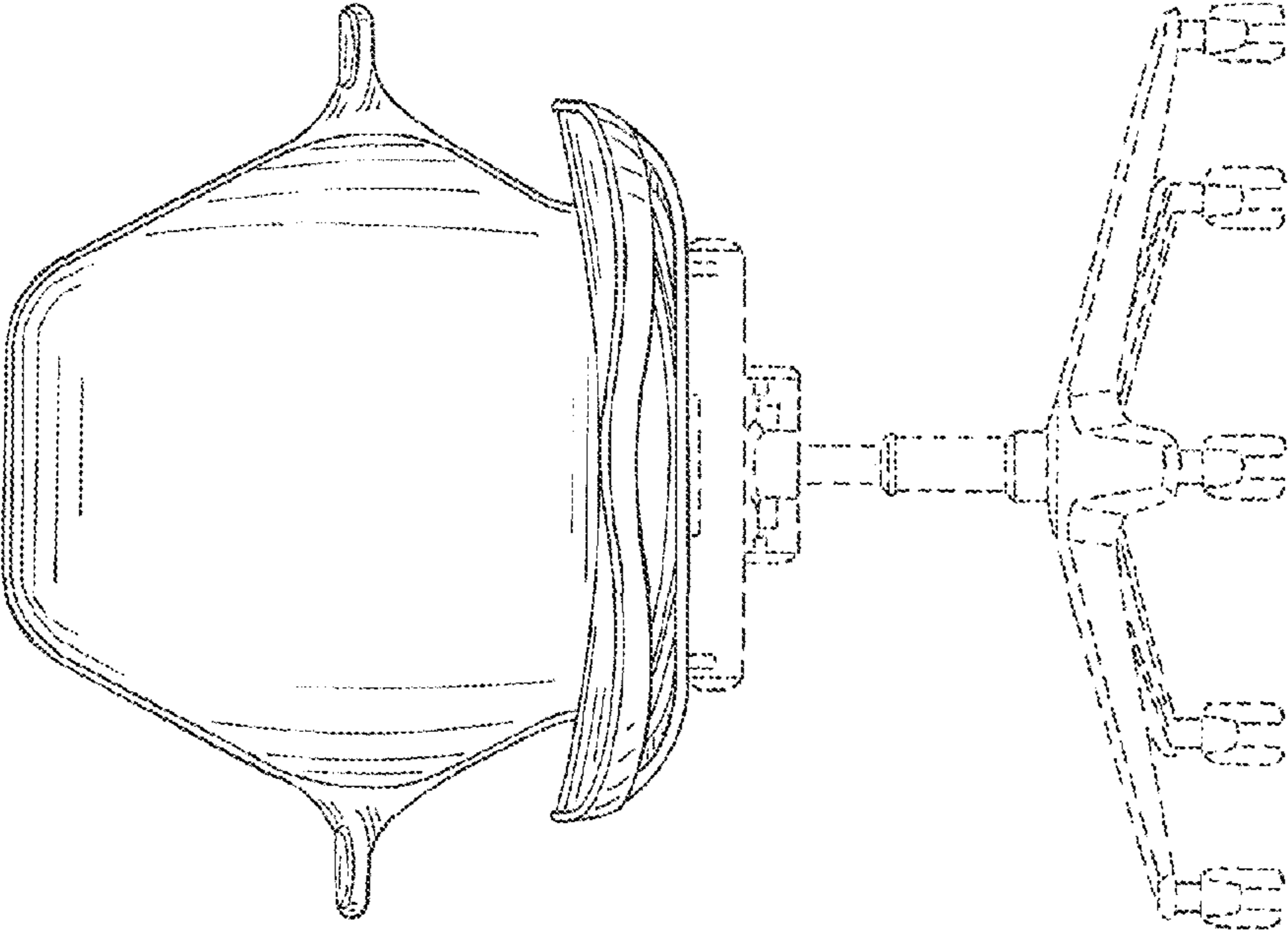


FIG. 6

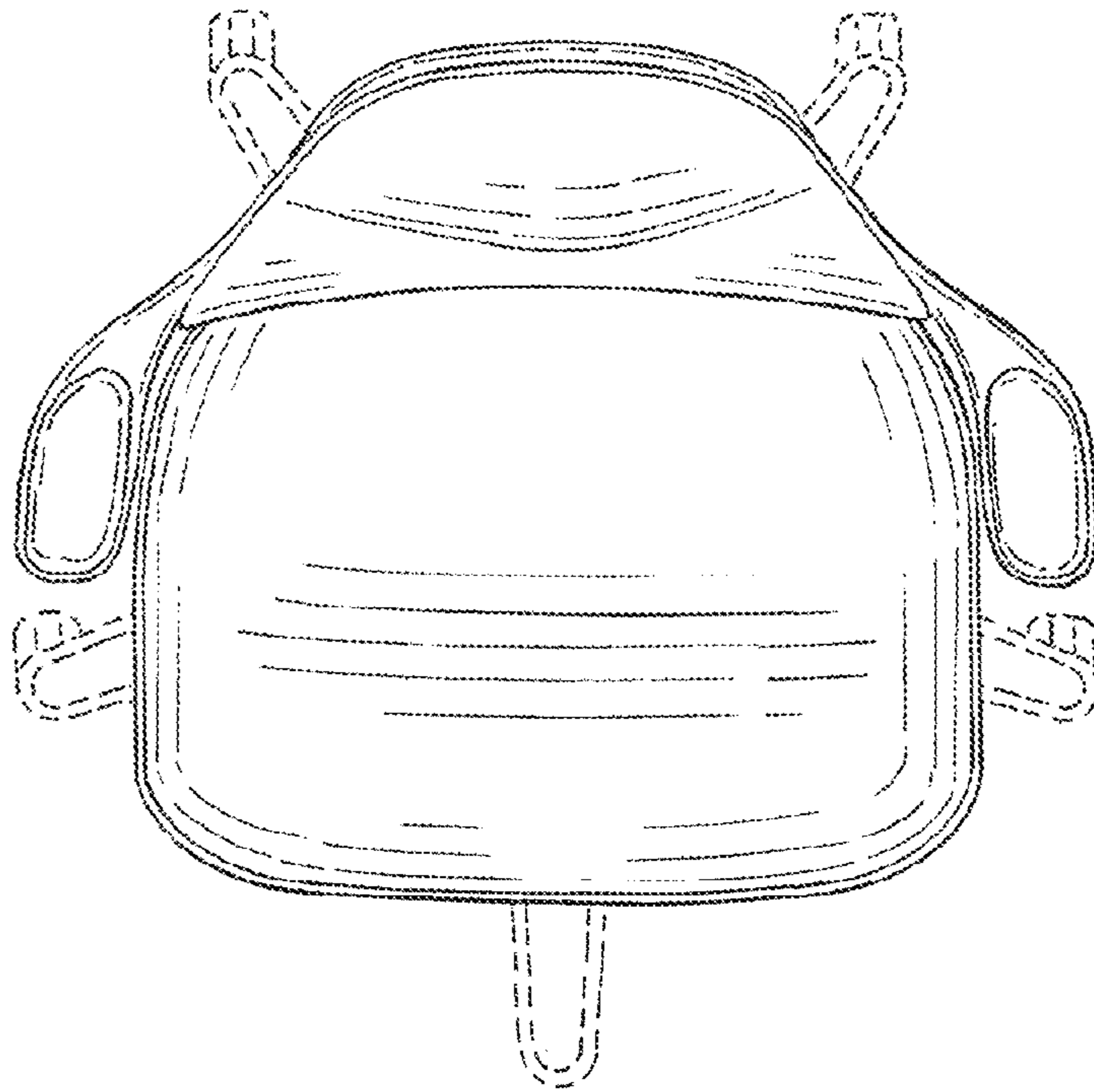


FIG. 5

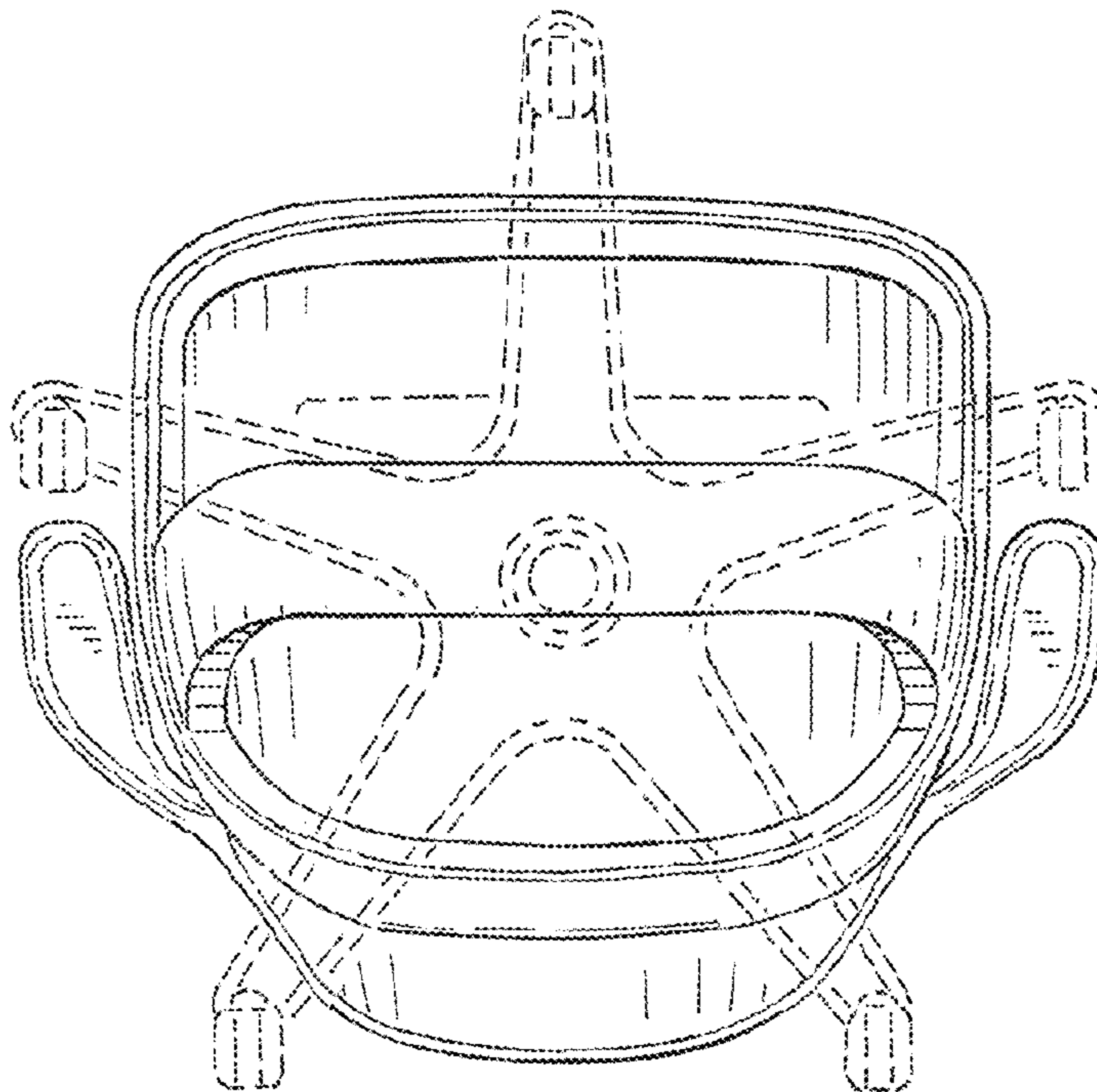


FIG. 7

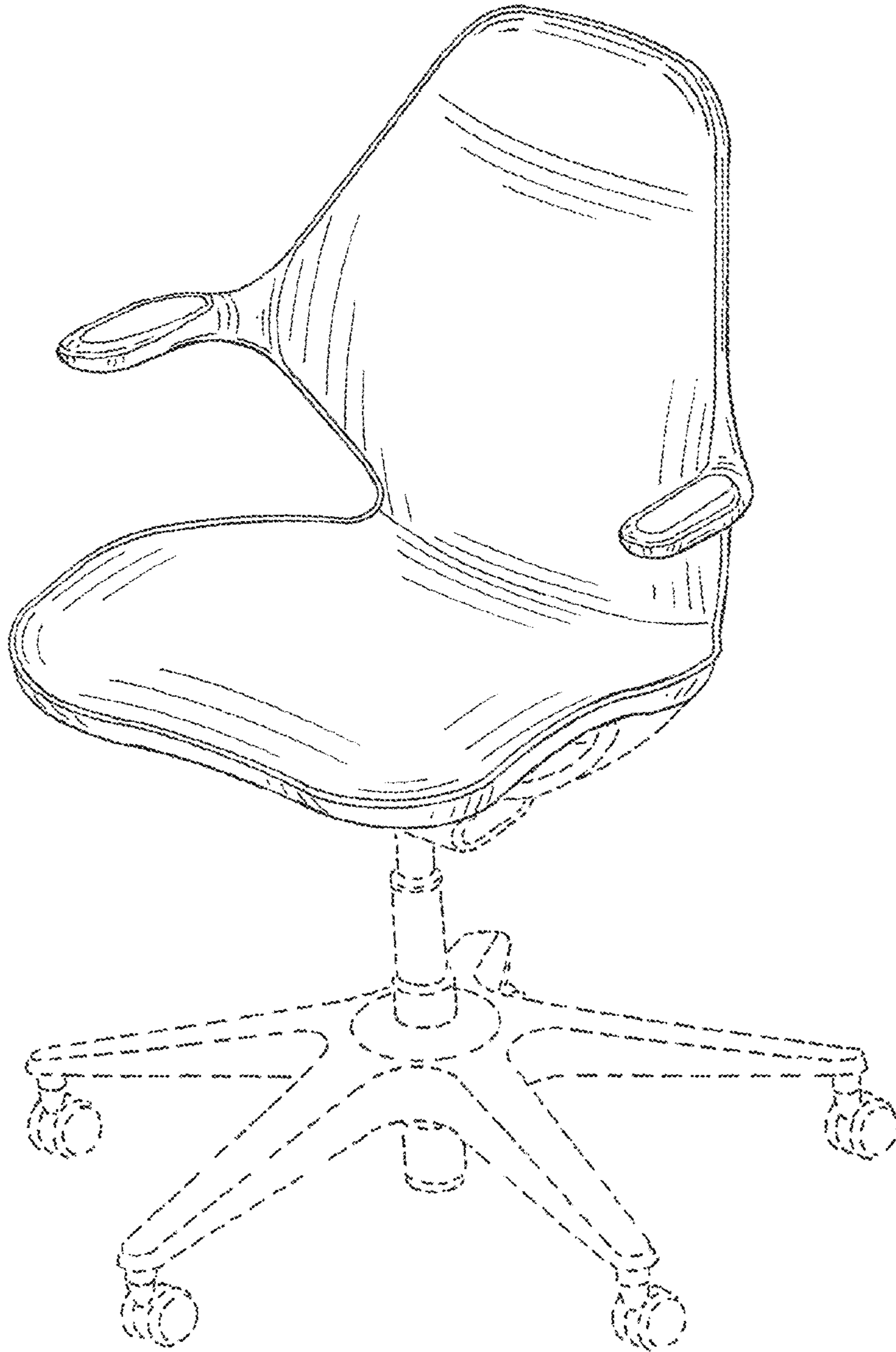


FIG. 8

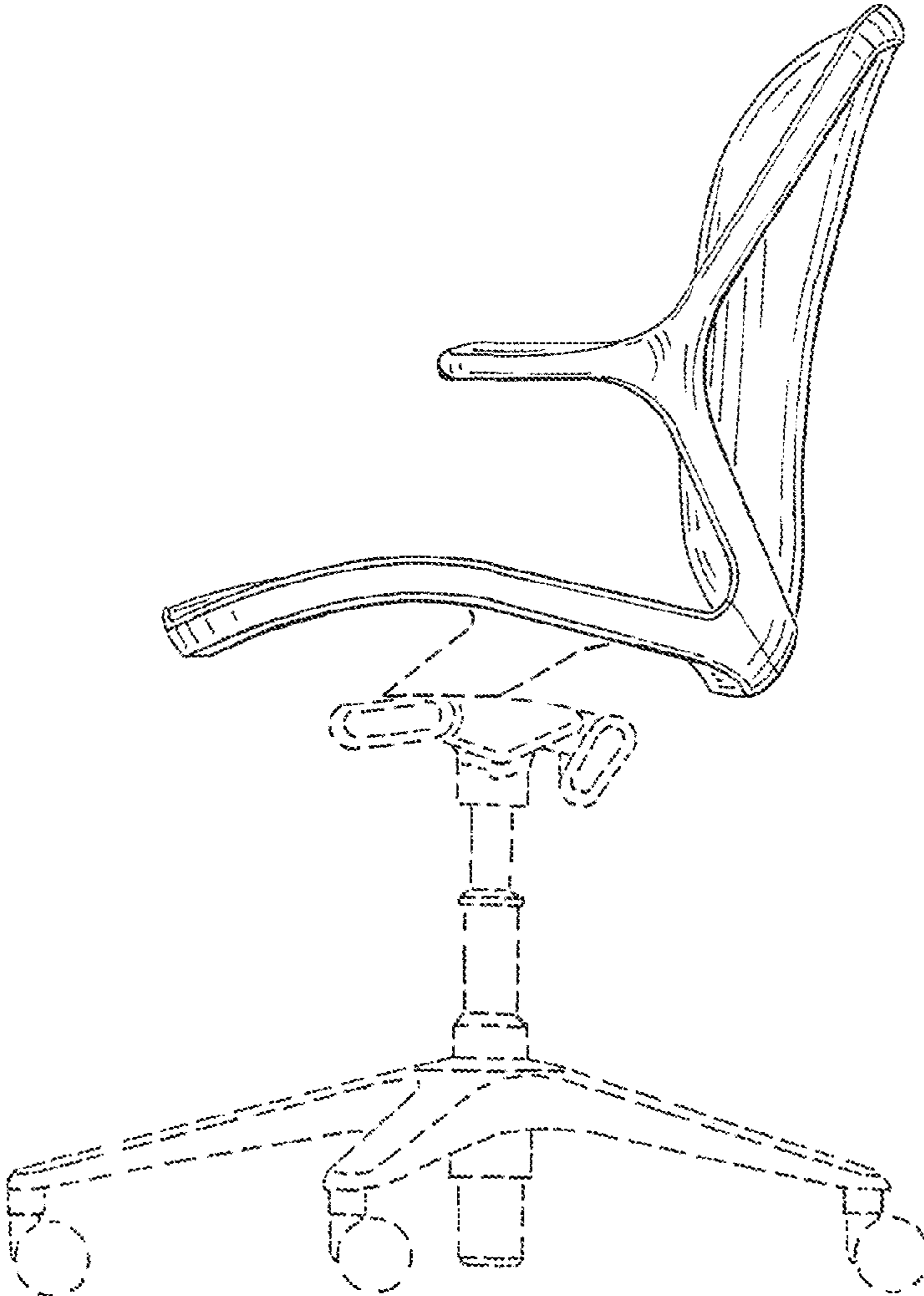


FIG. 10

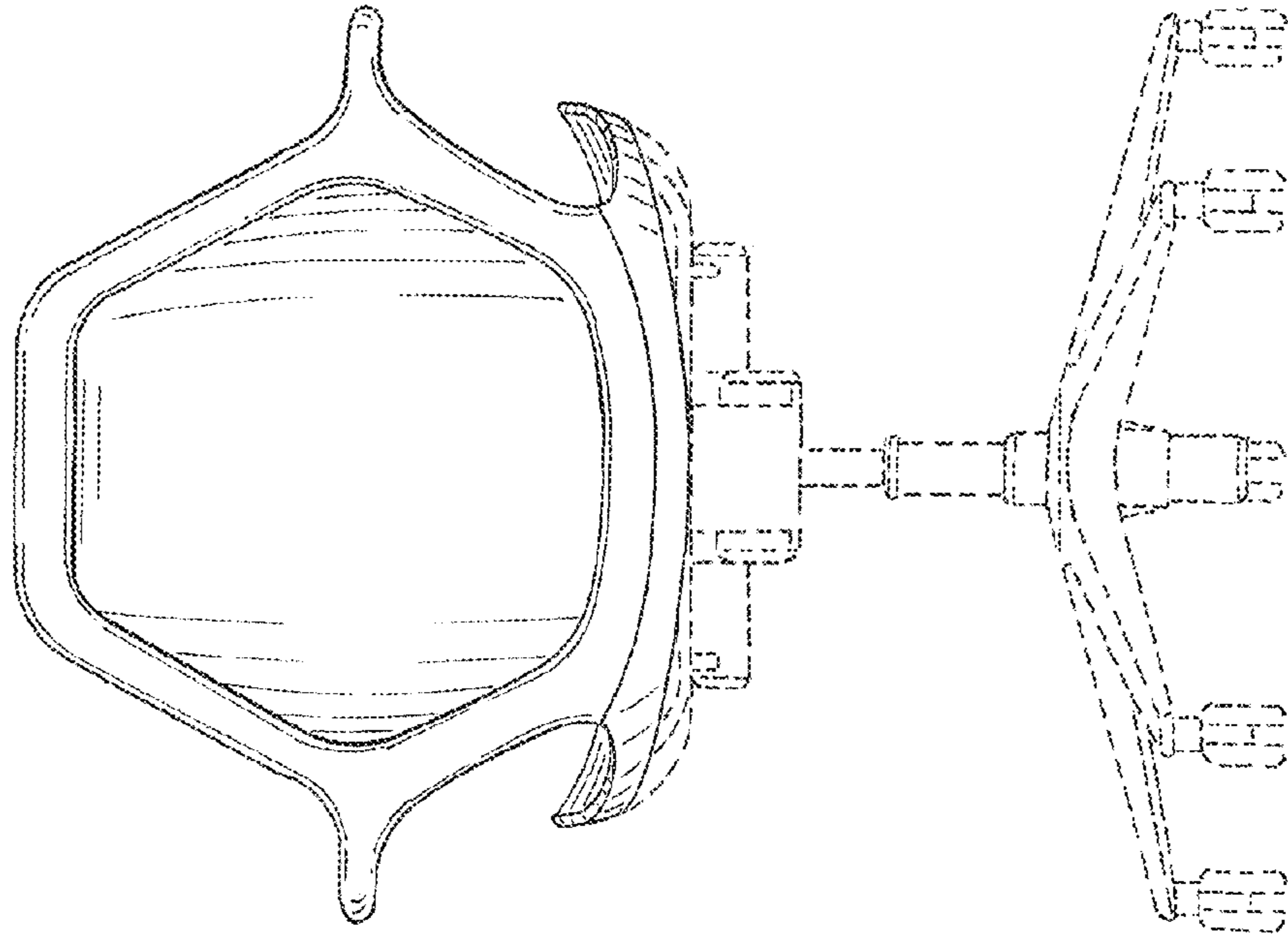


FIG. 9

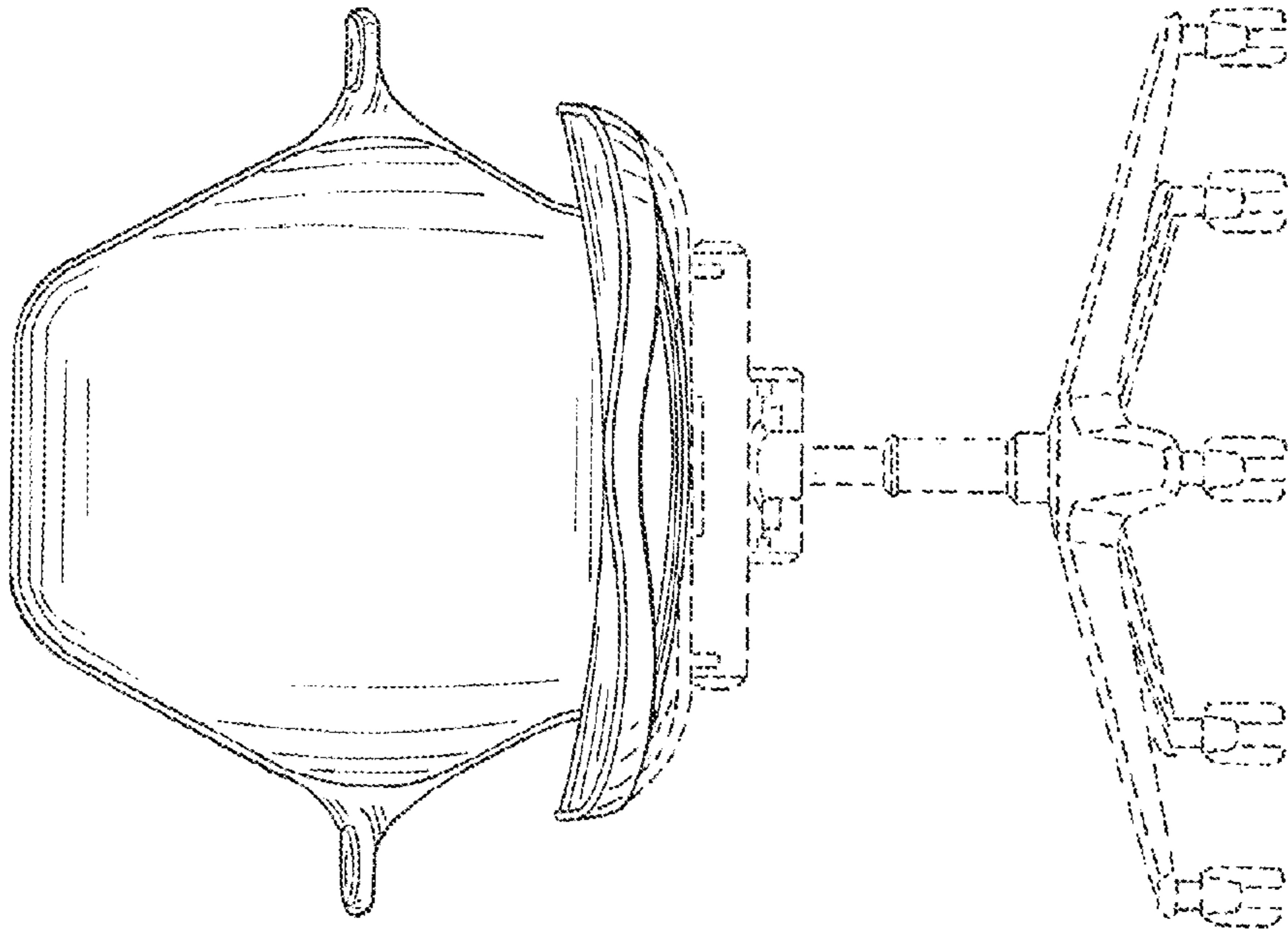




FIG. 12

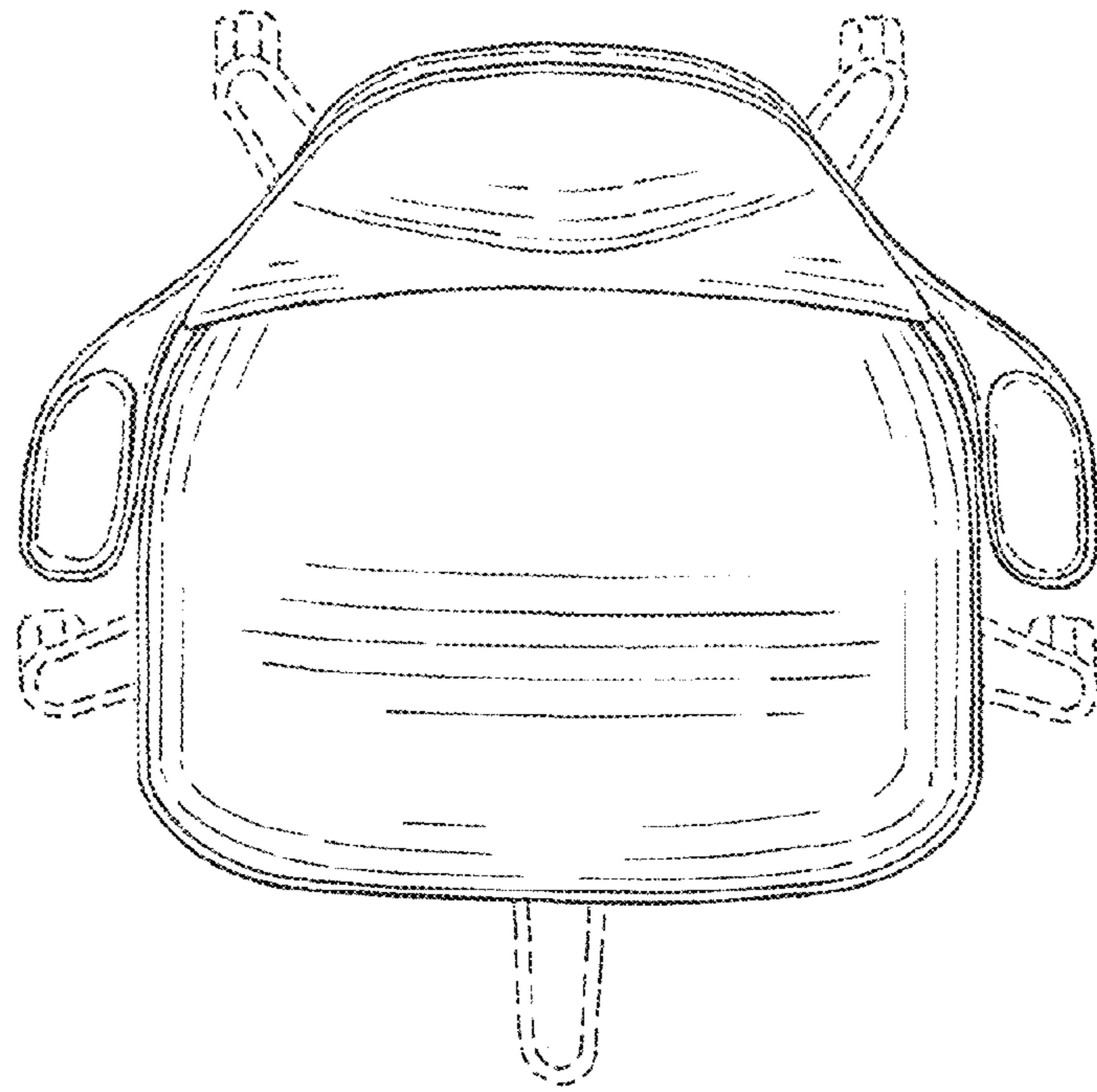


FIG. 11

