



US00D763611S

(12) **United States Design Patent**
Petrucelli

(10) **Patent No.:** **US D763,611 S**

(45) **Date of Patent:** **** Aug. 16, 2016**

- (54) **BEAUTY SALON CHAIR**
- (71) Applicant: **P.S. Pibbs, Inc.**, Flushing, NY (US)
- (72) Inventor: **Giulio Petrucelli**, Flushing, NY (US)
- (73) Assignee: **P.S. Pibbs, Inc.**, Flushing, NY (US)
- (**) Term: **14 Years**
- (21) Appl. No.: **29/509,717**
- (22) Filed: **Nov. 20, 2014**
- (51) **LOC (10) Cl.** **06-01**
- (52) **U.S. Cl.**
USPC **D6/716**
- (58) **Field of Classification Search**
USPC D6/334–336, 360, 364, 365, 366, 367,
D6/374, 376, 379, 380, 716, 716.1, 716.2,
D6/716.3, 716.4
CPC A47C 3/18; A47C 3/20; A47C 7/18;
A47C 7/50; A47C 7/54; A47C 9/00; A47C
9/007
See application file for complete search history.

D586,592 S *	2/2009	Petrucelli	D6/716
D661,134 S *	6/2012	Petrucelli	D6/360
D664,382 S *	7/2012	Petrucelli	D6/360
D664,793 S *	8/2012	Petrucelli	D6/360
D710,641 S *	8/2014	Petrucelli	D6/716

* cited by examiner

Primary Examiner — Mimoso De

(74) *Attorney, Agent, or Firm* — Gerald E. Hespos; Michael J. Porco; Matthew T. Hespos

(57) **CLAIM**

The ornamental design for a beauty salon chair, as shown and described.

DESCRIPTION

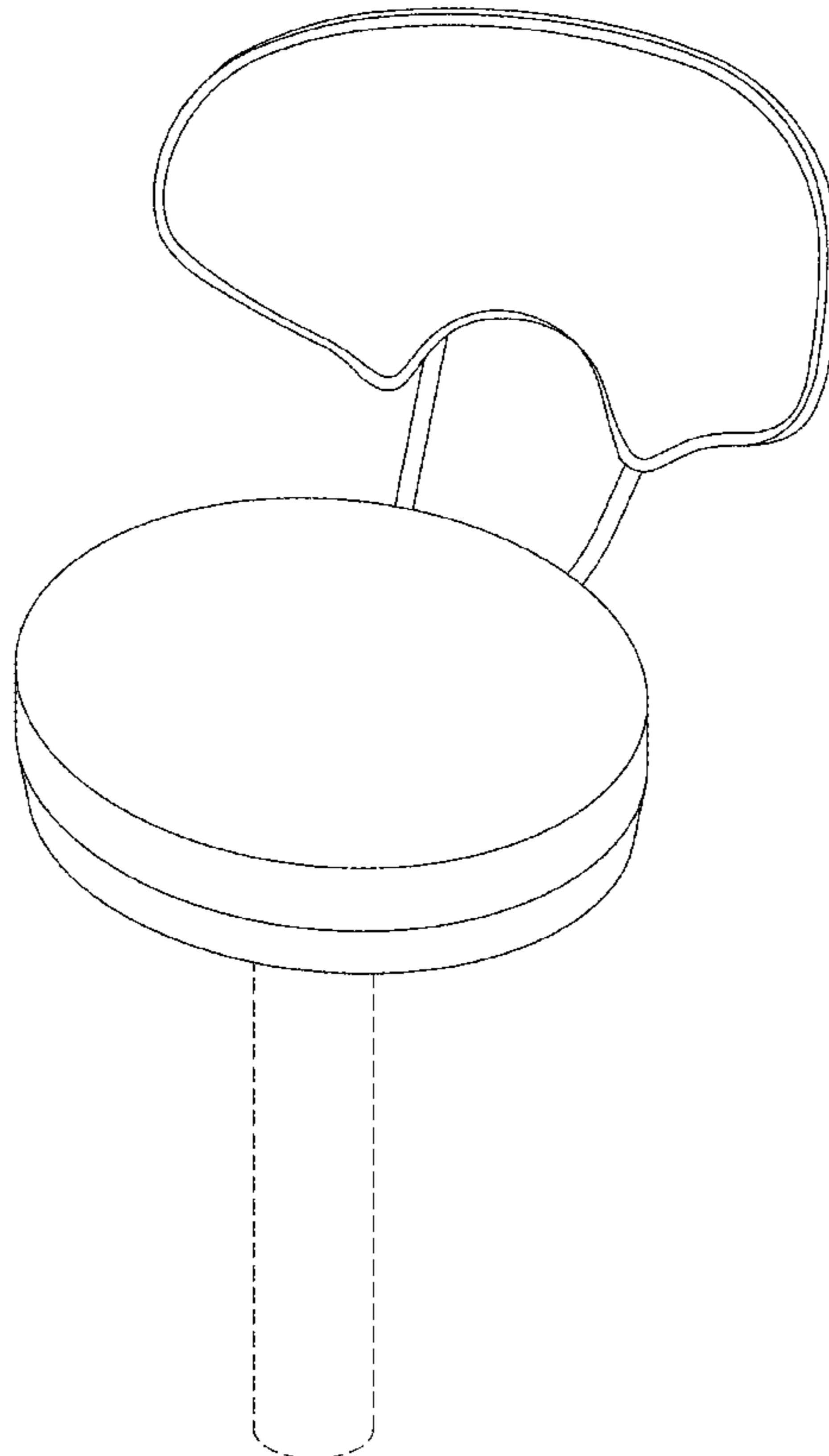
FIG. 1 is a perspective view of a beauty salon chair in accordance with my design;
 FIG. 2 is a front elevational view of the beauty salon chair of FIG. 1;
 FIG. 3 is a top plan view thereof;
 FIG. 4 is a left side elevational view, with the right side elevational view being a mirror image thereof;
 FIG. 5 is a rear elevational view thereof; and,
 FIG. 6 is a bottom plan view thereof.
 The broken lines showing the pedestal in FIGS. 1 and 6 and the broken lines in FIGS. 4-6 showing the screws and mounting brackets for attaching the chair back are for illustrative purposes only and form no part of the claimed design.

1 Claim, 6 Drawing Sheets

(56) **References Cited**

U.S. PATENT DOCUMENTS

D276,766 S *	12/1984	Truette	D6/366
D372,618 S *	8/1996	Sulzer	D6/716
D565,871 S *	4/2008	Petrucelli	D6/364



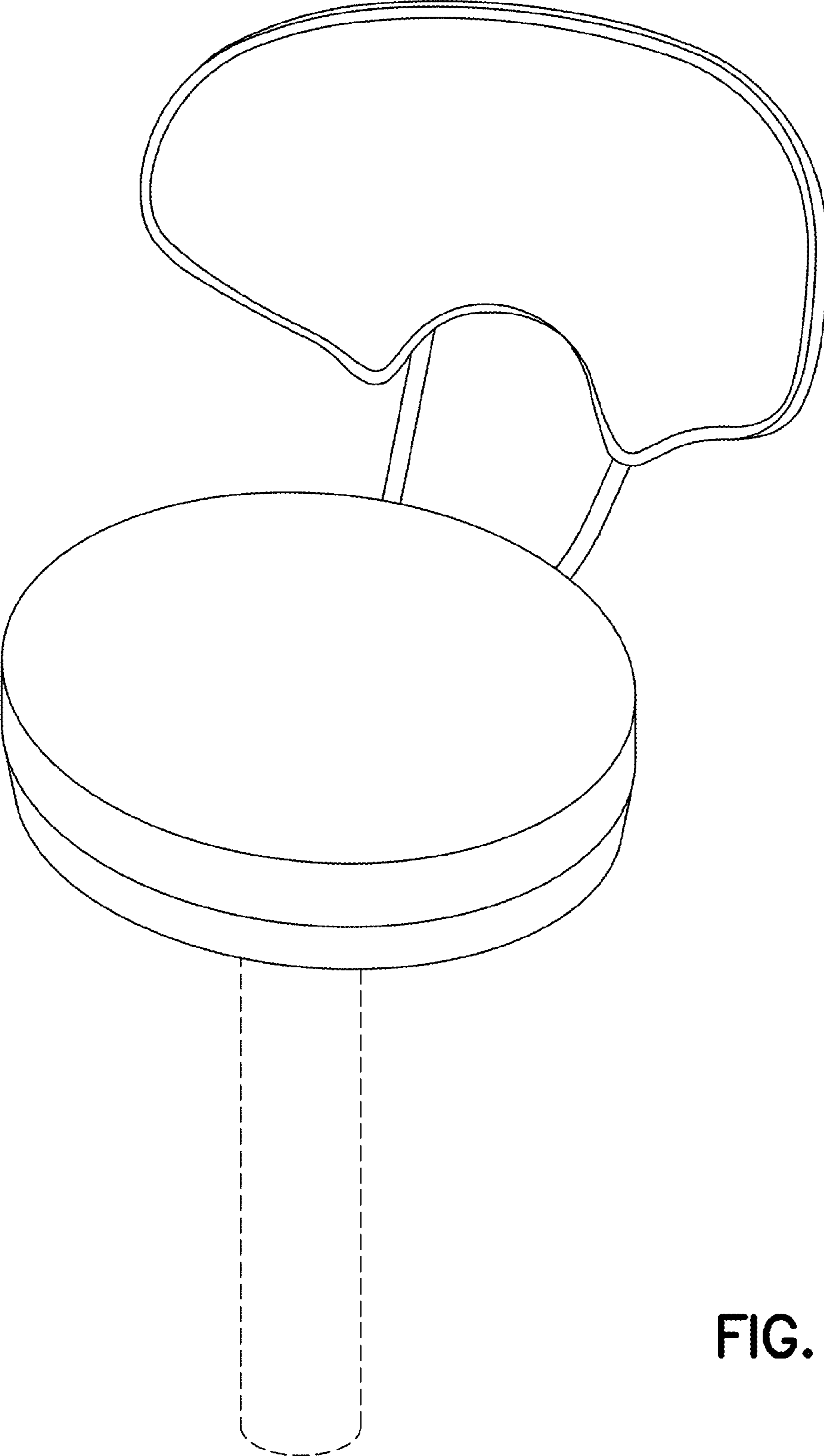


FIG. 1

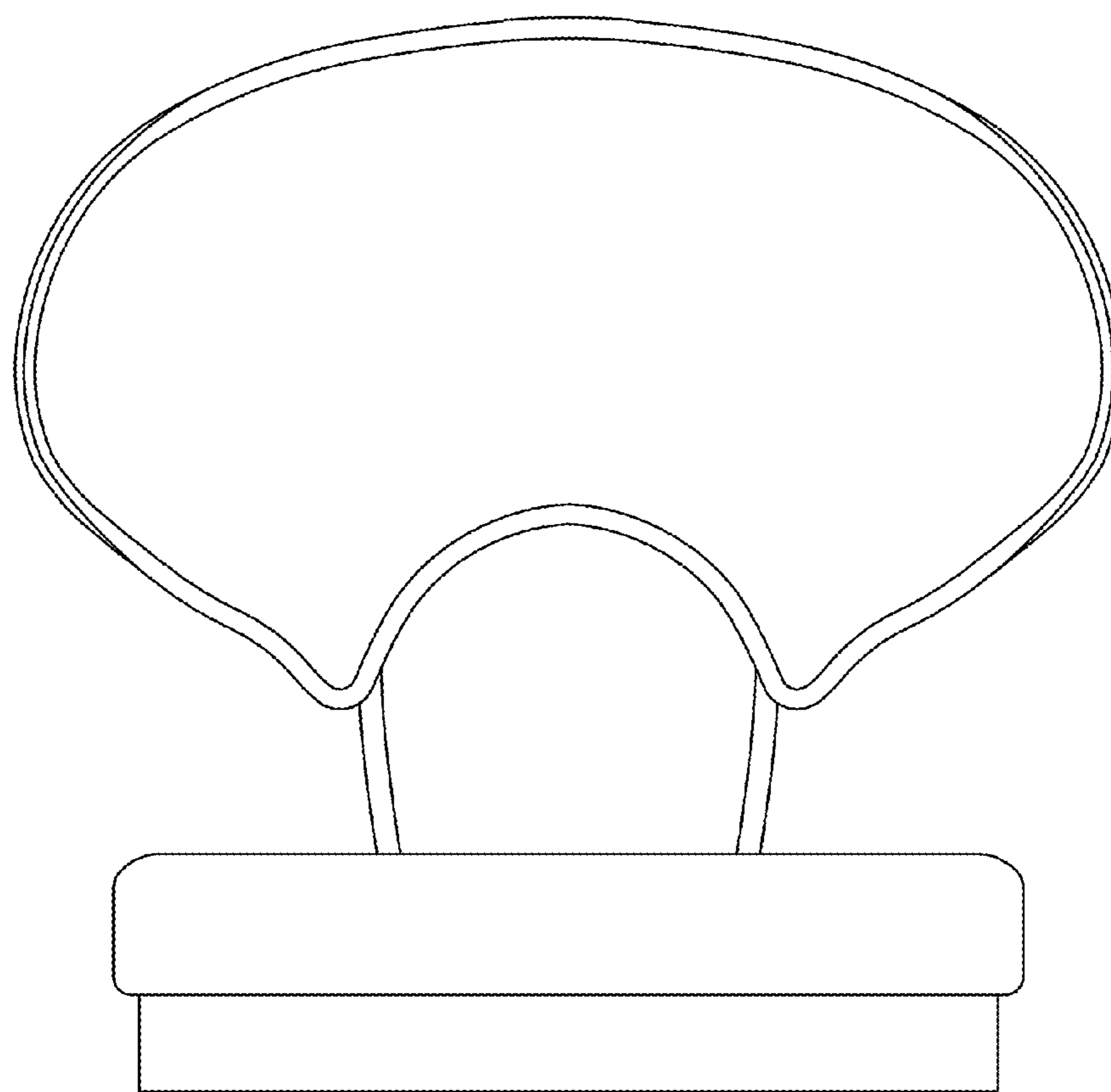


FIG.2

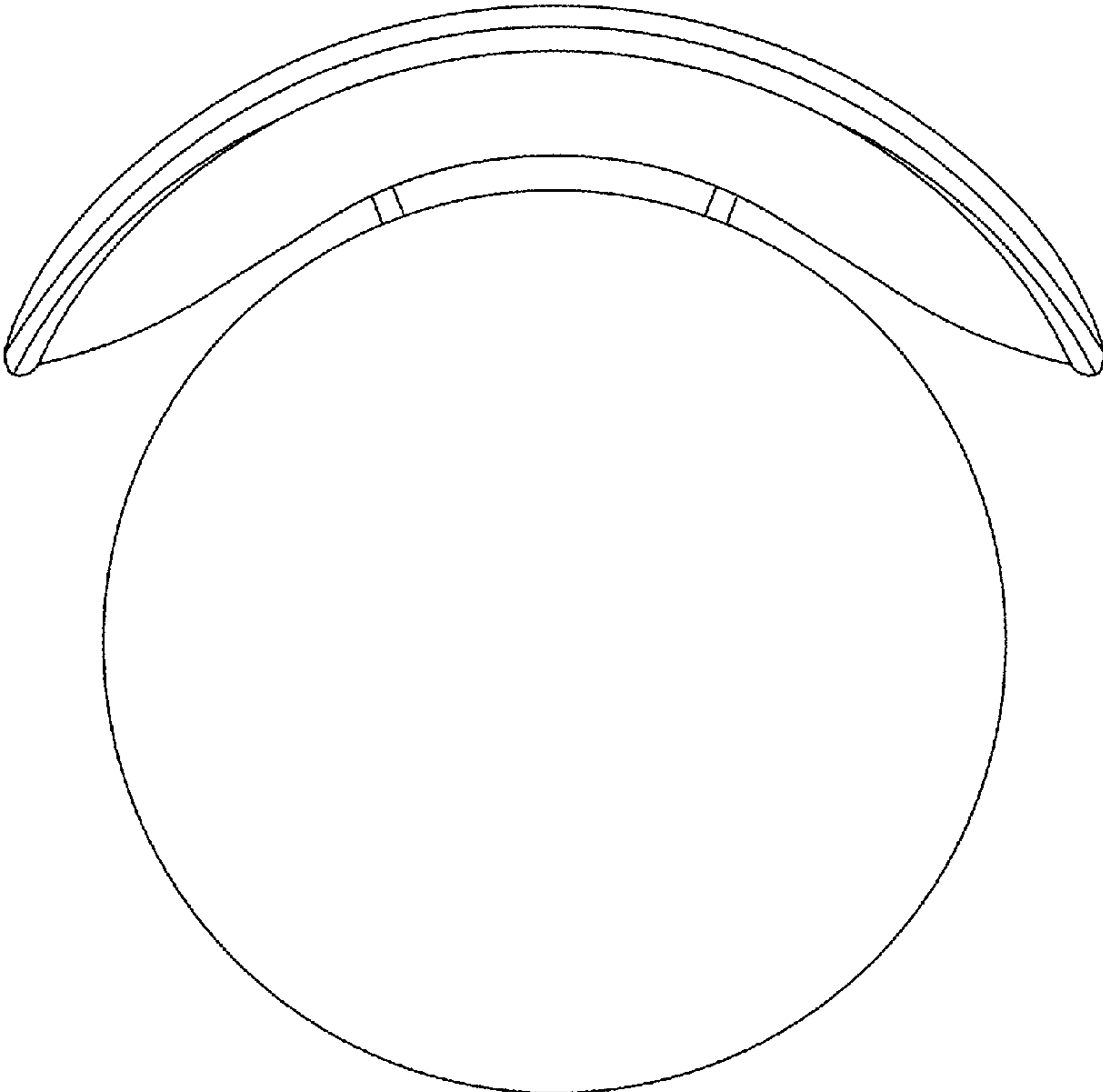


FIG.3

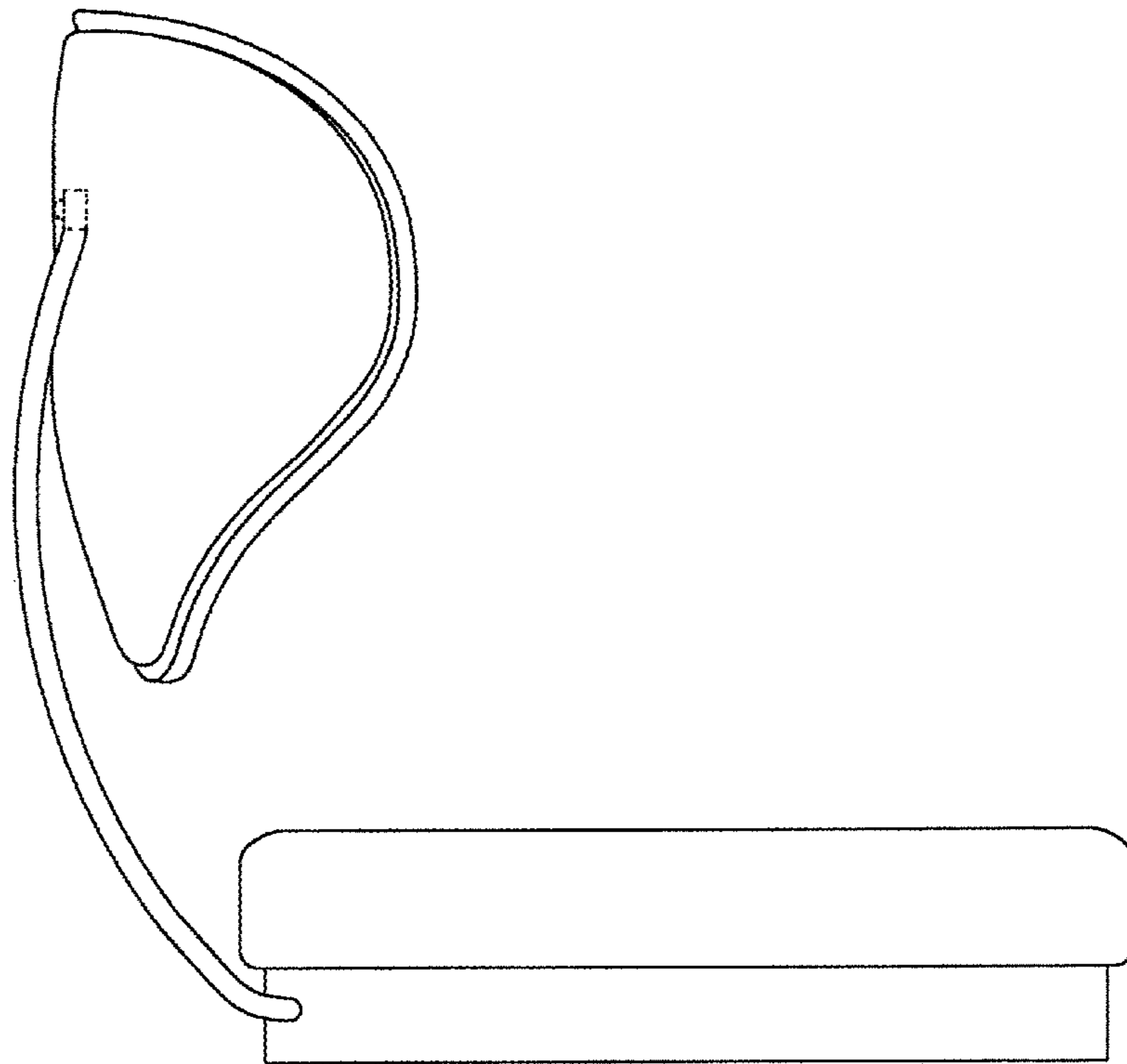


FIG.4

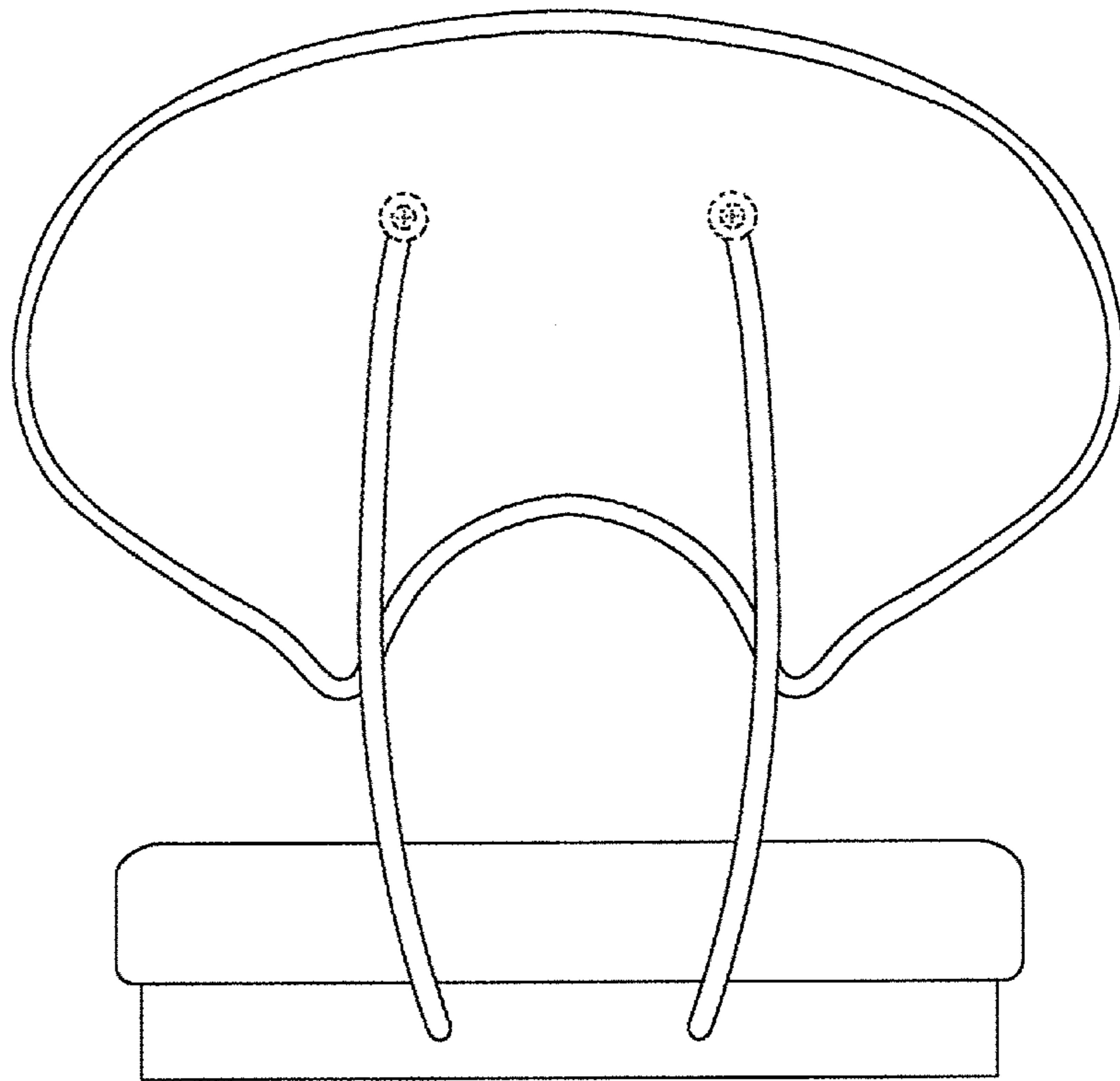


FIG.5

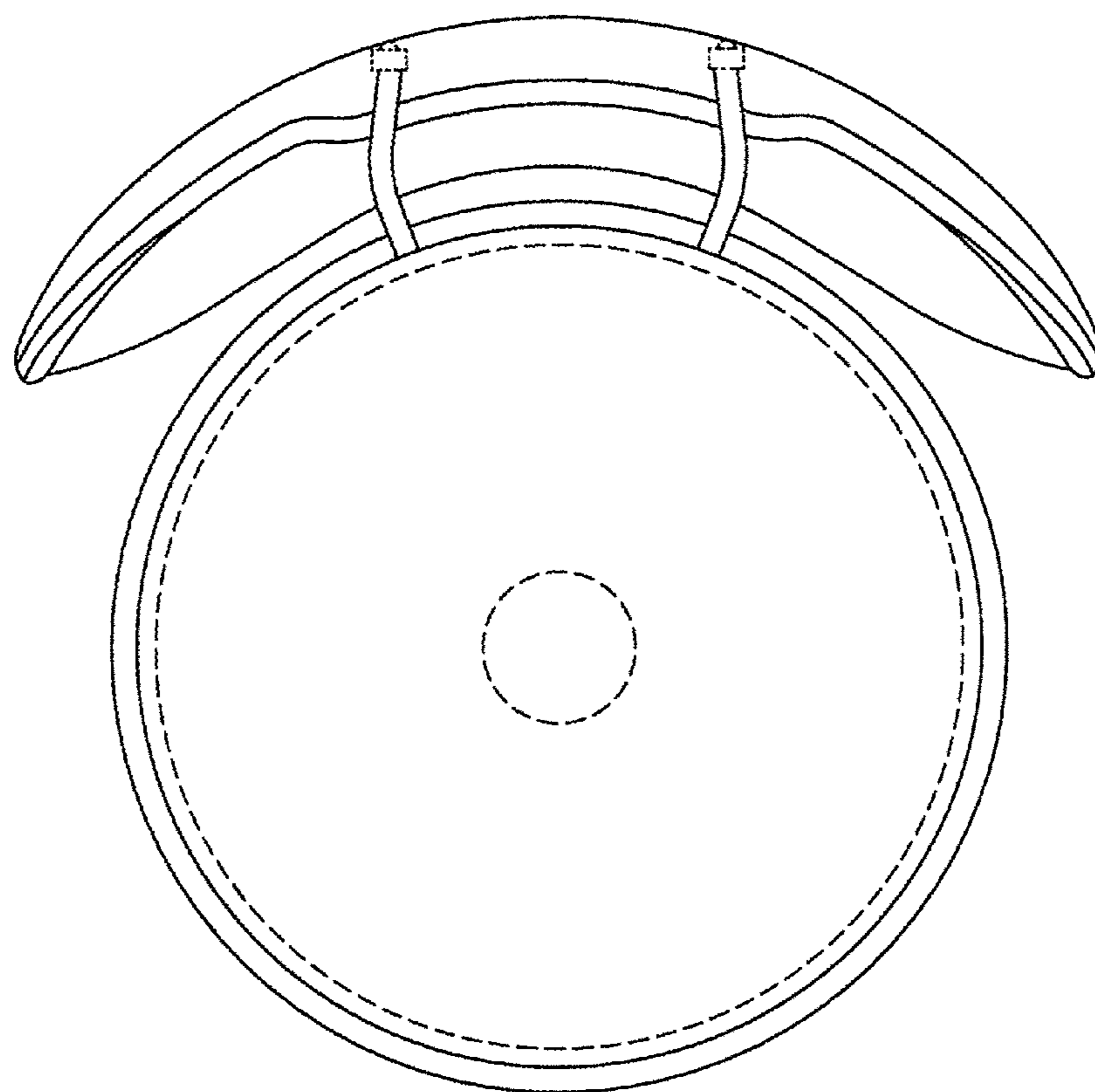


FIG.6