



US00D763610S

(12) **United States Design Patent**  
**Shapiro et al.**

(10) **Patent No.:** **US D763,610 S**  
(45) **Date of Patent:** **\*\* Aug. 16, 2016**

- (54) **SUPPORTS FOR AN INFANT RECEIVING DEVICE**
- (71) Applicant: **Mattel, Inc.**, El Segundo, CA (US)
- (72) Inventors: **David Shapiro**, East Aurora, NY (US);  
**Seth Galley**, East Aurora, NY (US)
- (73) Assignee: **Mattel, Inc.**, El Segundo, CA (US)
- (\*\*) Term: **15 Years**
- (21) Appl. No.: **29/546,020**
- (22) Filed: **Nov. 18, 2015**
- (51) **LOC (10) Cl.** ..... **06-01**
- (52) **U.S. Cl.**  
USPC ..... **D6/715; D6/344**
- (58) **Field of Classification Search**  
USPC ..... D6/334–336, 344, 347, 348, 374, 375,  
D6/716, 716.1, 715; D21/412  
CPC ..... A47D 13/00; A47D 13/02; A47D 13/10;  
A47D 13/102; A47D 13/105; A47D 13/107;  
A47D 9/02  
See application file for complete search history.

- 8,313,390 B2 \* 11/2012 Lu ..... A47D 13/102  
472/118
- D680,764 S \* 4/2013 Chen ..... D6/344
- D691,381 S \* 10/2013 Kittilsen ..... D6/344
- D692,680 S \* 11/2013 Bergkvist ..... D6/344
- 8,661,582 B2 \* 3/2014 Sclare ..... A47D 9/02  
472/118
- 8,893,326 B2 \* 11/2014 Gooris ..... A47D 13/107  
297/250.1

\* cited by examiner

*Primary Examiner* — Mimoso De

(74) *Attorney, Agent, or Firm* — Edell, Shapiro & Finnan, LLC

(57) **CLAIM**

The ornamental design for supports for an infant receiving device, as shown and described.

**DESCRIPTION**

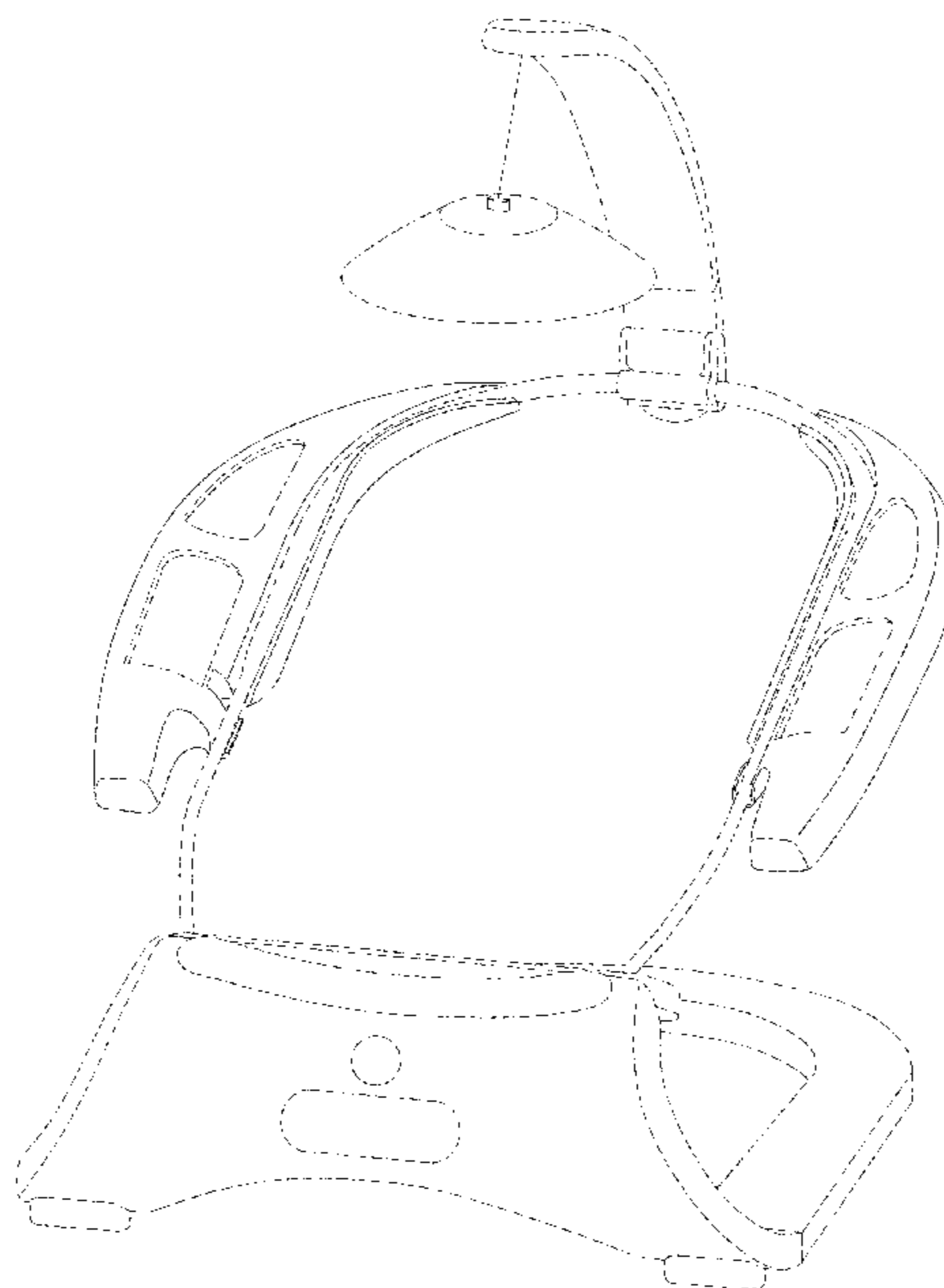
FIG. 1 is a front perspective view of supports for an infant receiving device according to the present invention;  
 FIG. 2 is a front view of the supports for an infant receiving device of FIG. 1;  
 FIG. 3 is a rear view of the supports for an infant receiving device of FIG. 1;  
 FIG. 4 is a left side view of the supports for an infant receiving device of FIG. 1;  
 FIG. 5 is a right side view of the supports for an infant receiving device of FIG. 1;  
 FIG. 6 is a top view of the supports for an infant receiving device of FIG. 1; and,  
 FIG. 7 is a bottom view of the supports for an infant receiving device of FIG. 1.  
 The broken lines shown in the figures are included for the purpose of illustrating the unclaimed portions of the article and form no part of the claimed design.

**1 Claim, 7 Drawing Sheets**

(56) **References Cited**

U.S. PATENT DOCUMENTS

- 5,507,564 A \* 4/1996 Huang ..... A47D 13/107  
297/256.13
- 6,594,840 B2 \* 7/2003 Tomas ..... A47D 13/107  
5/101
- 6,877,802 B2 \* 4/2005 Christensen ..... A47D 13/107  
297/16.1
- 7,780,236 B2 \* 8/2010 Bergkvist ..... A47D 13/10  
297/256.13
- D655,113 S \* 3/2012 Wiegmann ..... D6/715
- D660,026 S \* 5/2012 Shi ..... D6/347



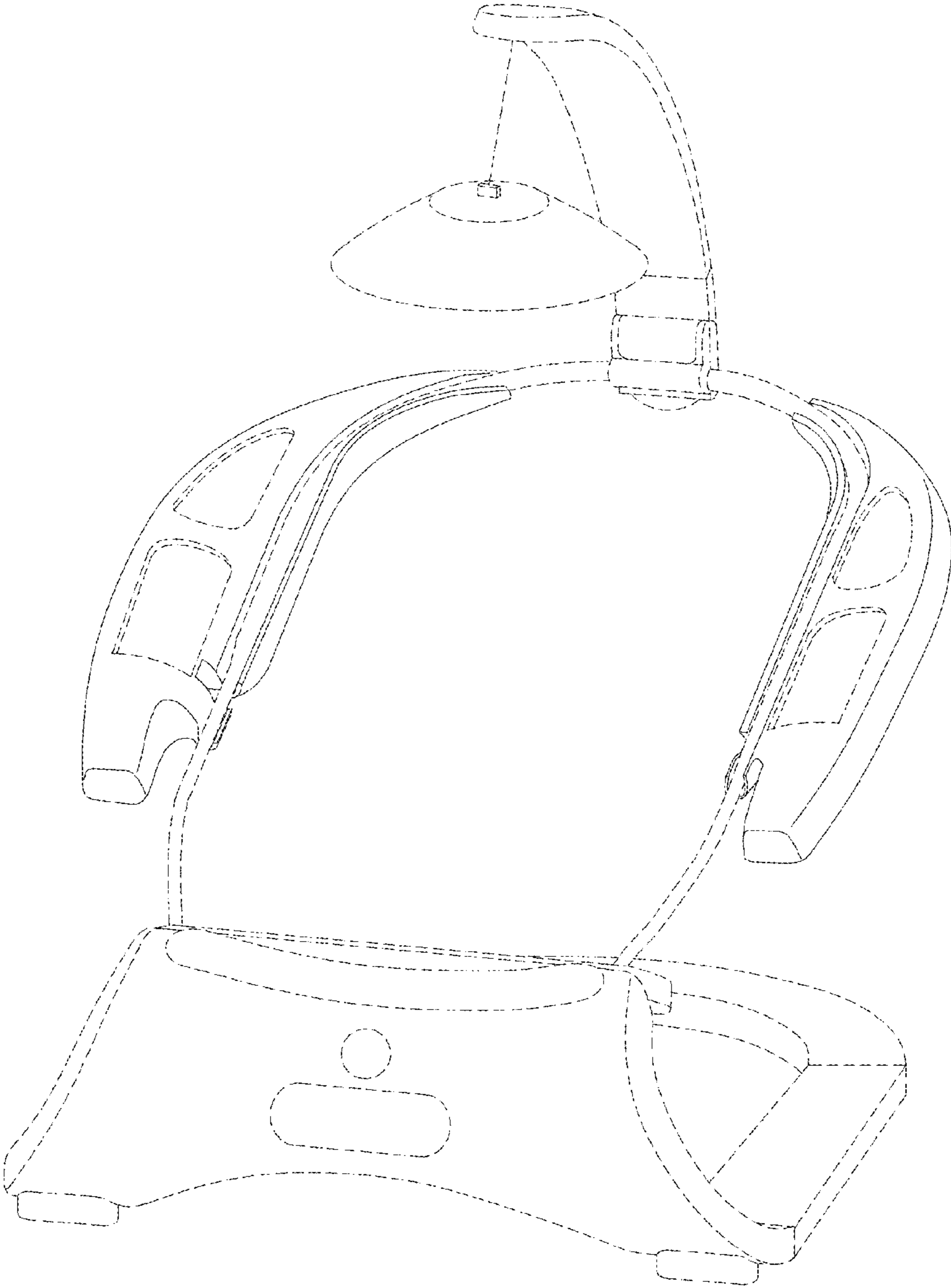


FIG.1

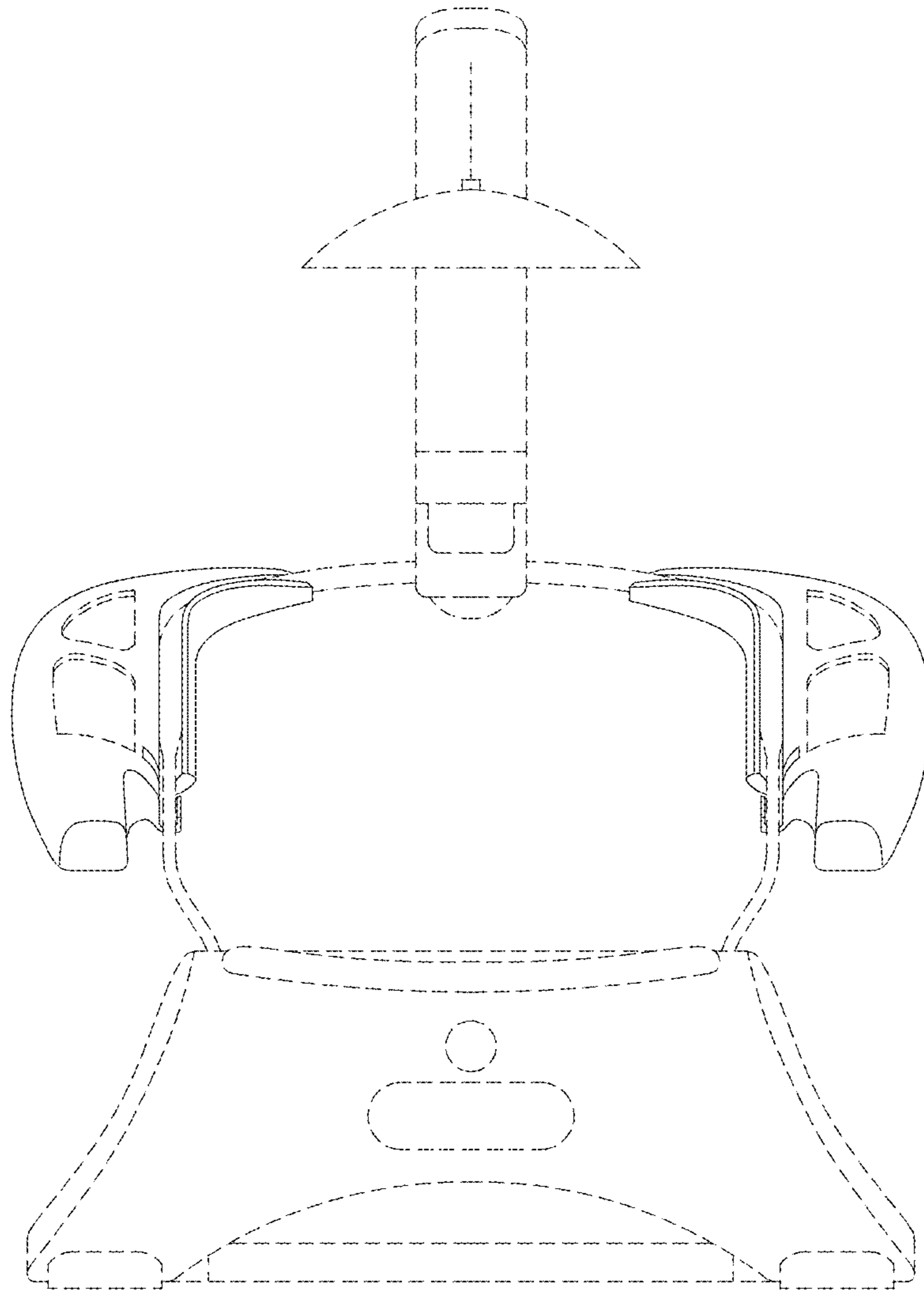


FIG.2

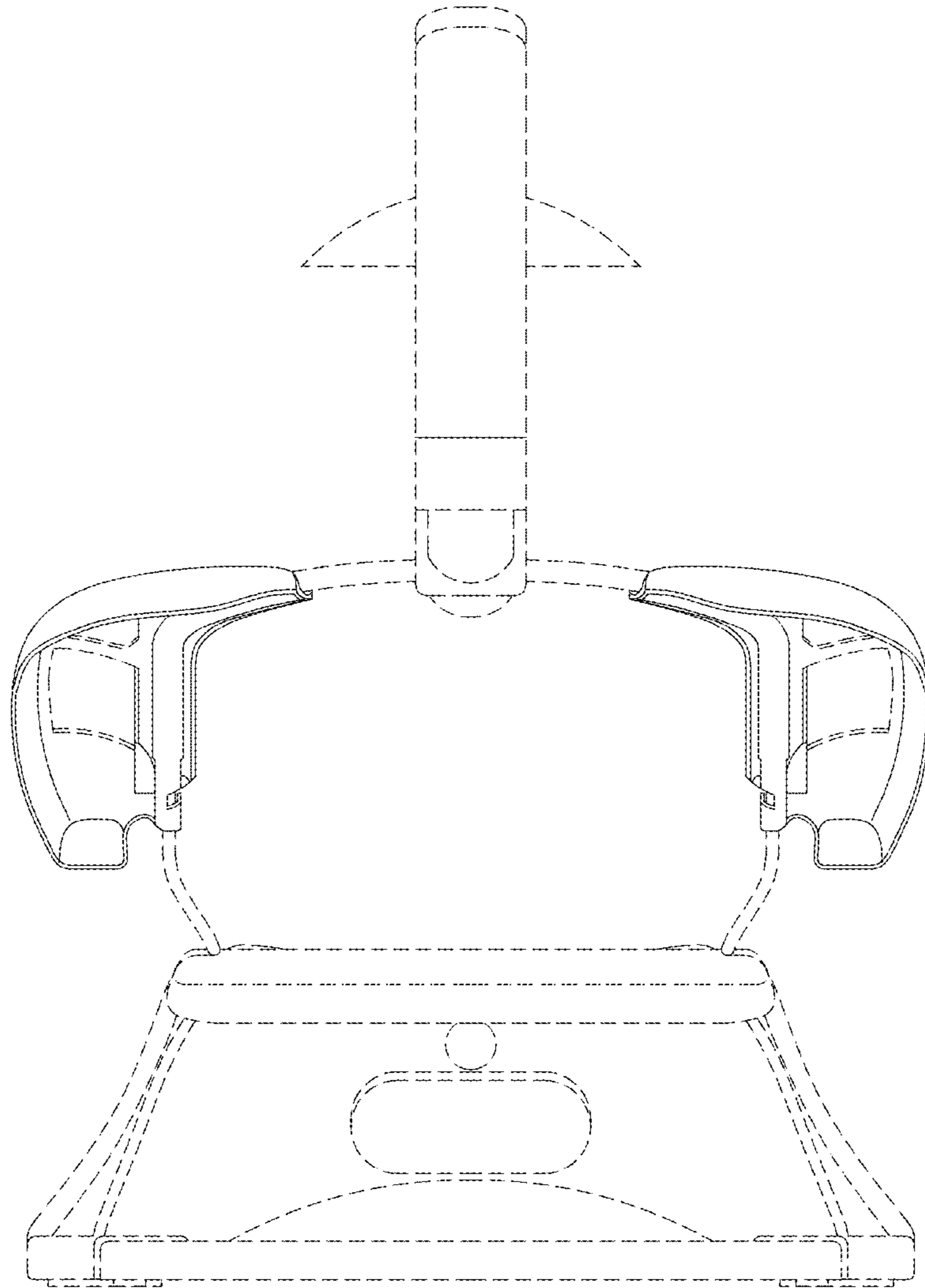


FIG.3

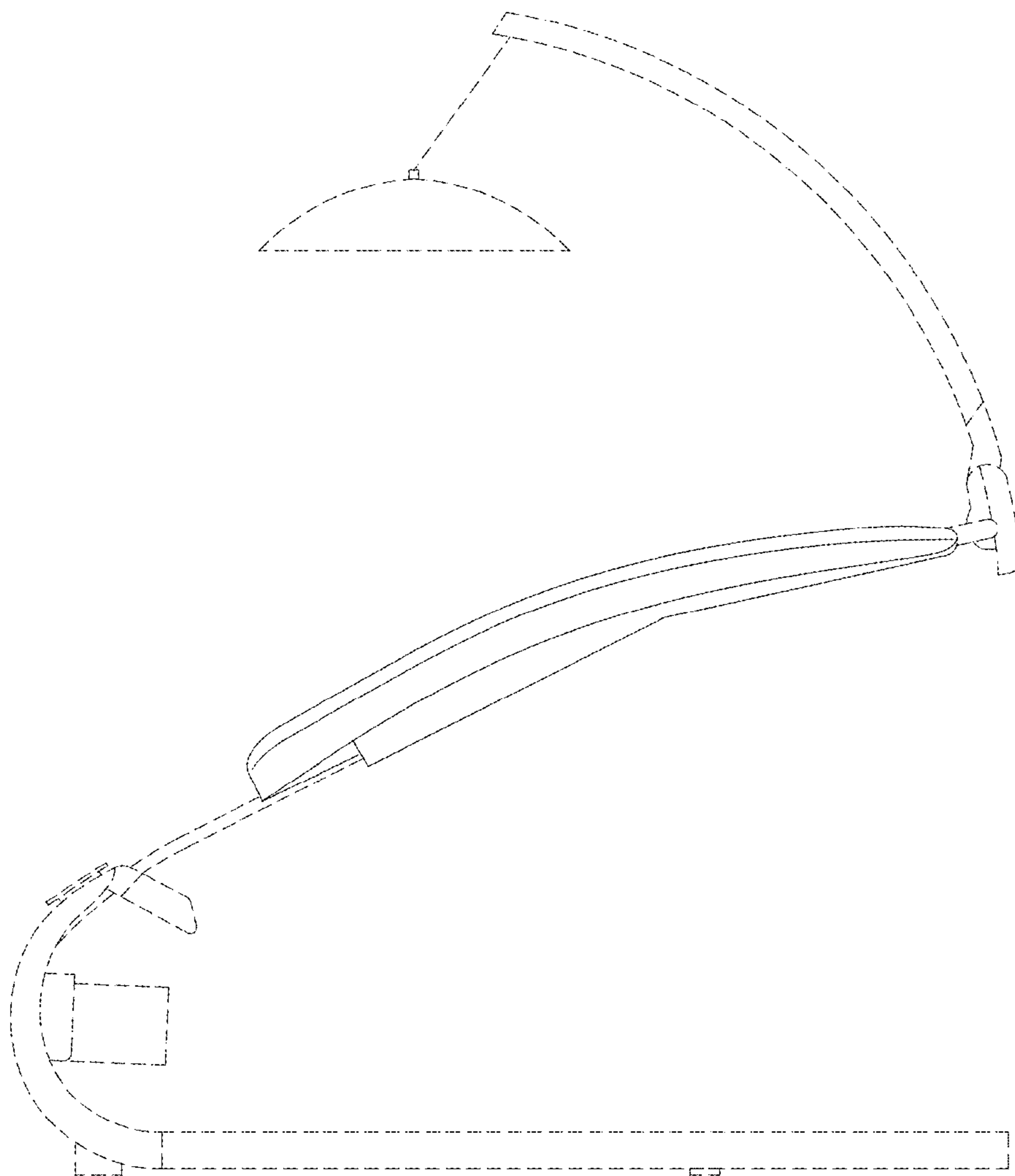


FIG.4

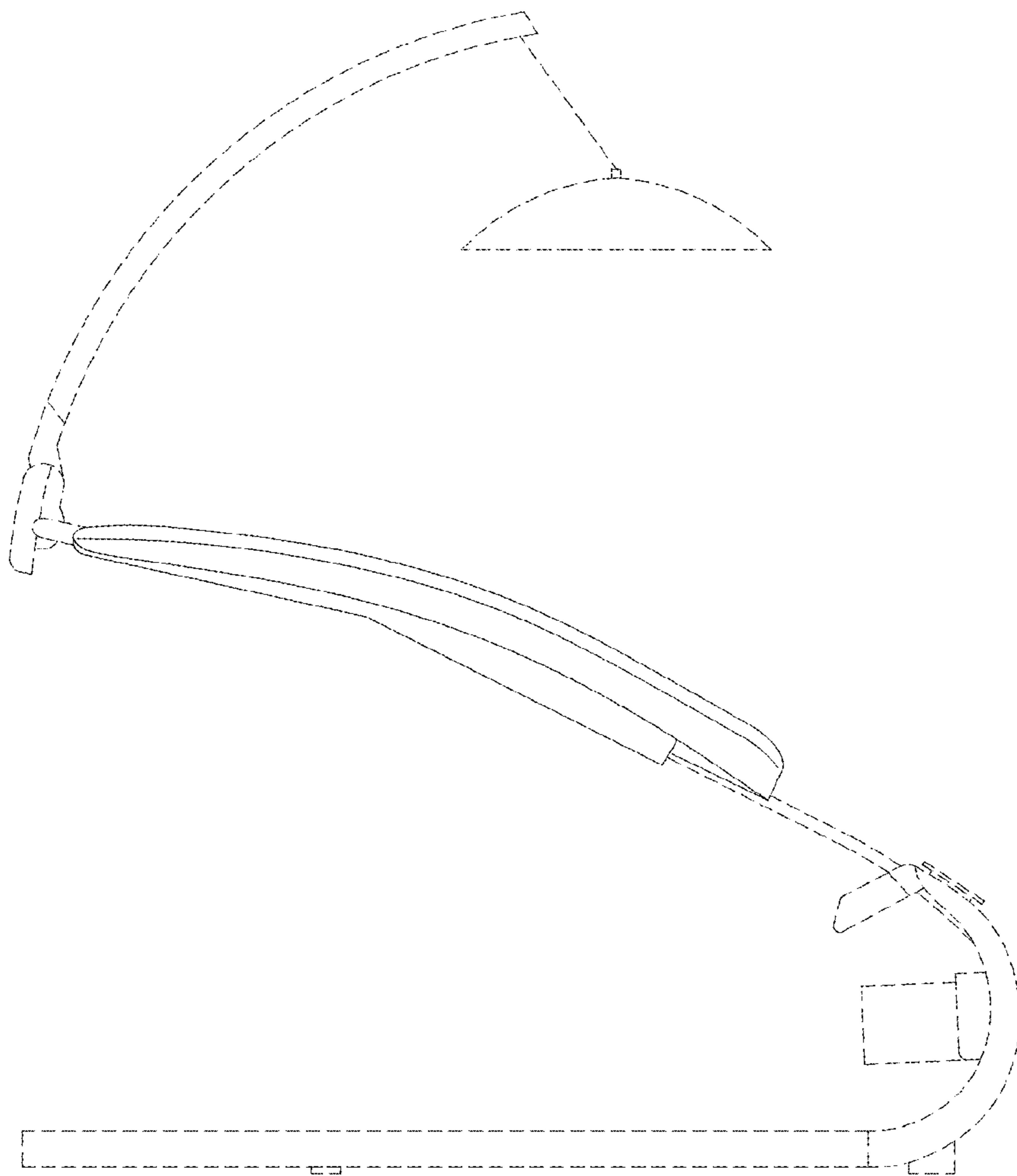


FIG. 5

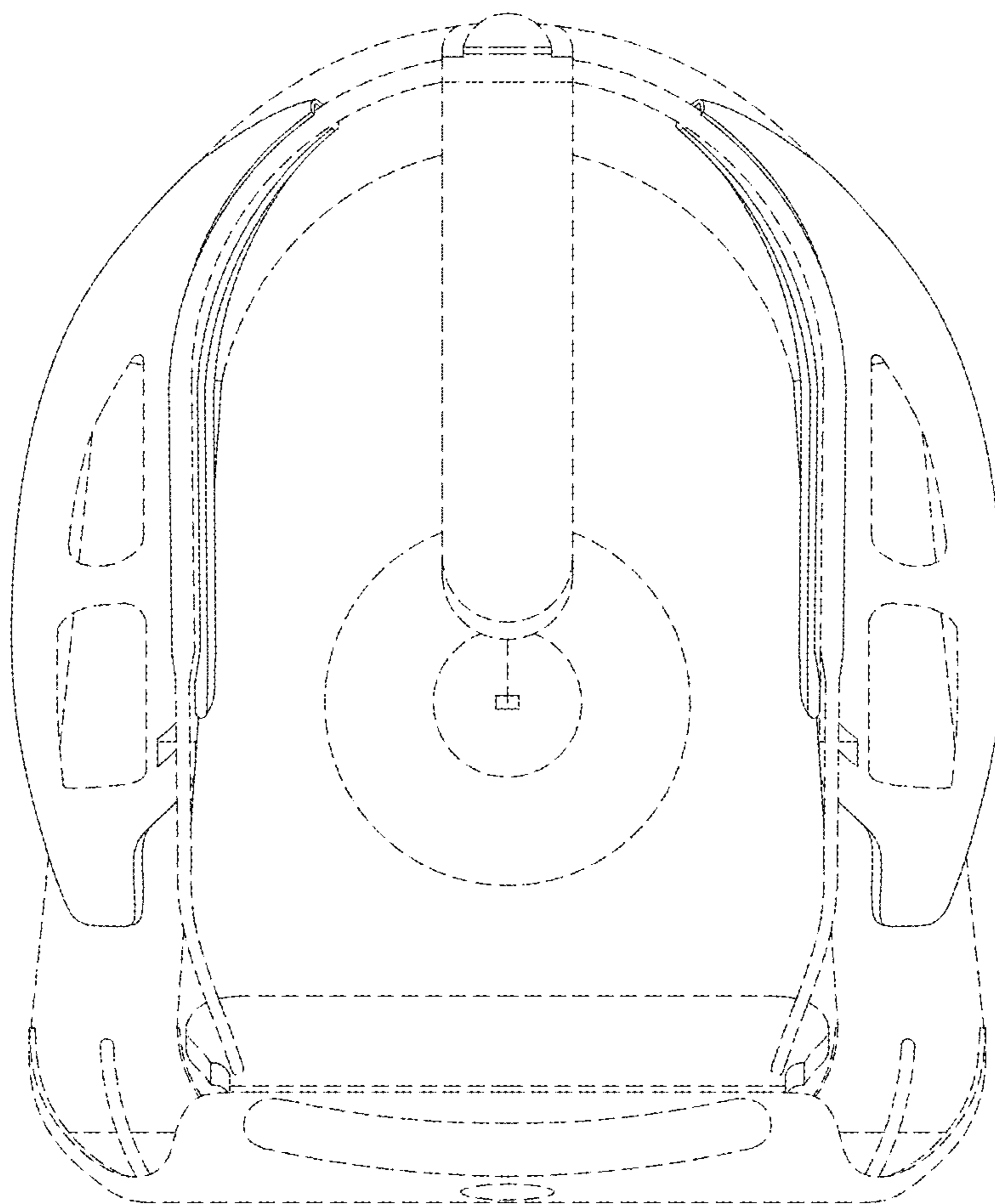


FIG.6

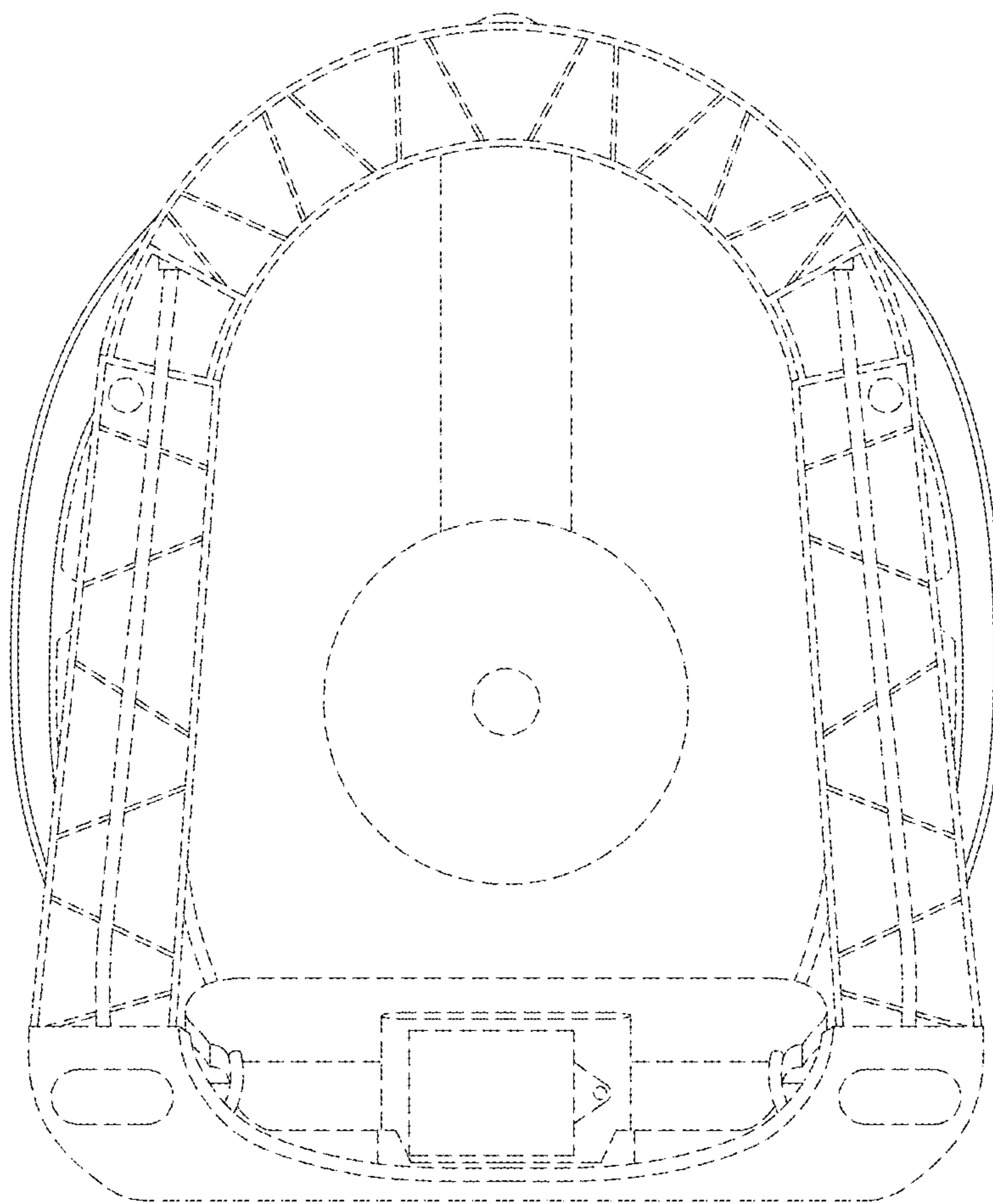


FIG.7