



US00D763603S

(12) **United States Design Patent**
Bartelmuss

(10) **Patent No.:** **US D763,603 S**
(45) **Date of Patent:** **** Aug. 16, 2016**

- (54) **KIOSK**
- (71) Applicant: **HBT Energietechnik GmbH**,
Judenburg (AT)
- (72) Inventor: **Heinz Bartelmuss**, Teufenbach (AT)
- (73) Assignee: **HBT ENERGIETECHNIK GMBH**,
Judenburg (AT)
- (**) Term: **15 Years**
- (21) Appl. No.: **29/538,429**
- (22) Filed: **Sep. 3, 2015**

Related U.S. Application Data

- (63) Continuation of application No. 29/469,334, filed on Oct. 9, 2013, now Pat. No. Des. 738,140.
- (51) **LOC (10) Cl.** **06-04**
- (52) **U.S. Cl.**
USPC **D6/664**
- (58) **Field of Classification Search**
USPC D3/272–273, 312; D6/657, 661–662,
D6/662.1, 664, 671.1, 671.2, 675, 675.1;
D9/432; D13/102; D19/62; D21/499
CPC A47B 17/04; A47B 47/03; A47B 47/0033;
A47B 67/005; A47B 83/00; A47C 3/04;
A47C 19/22; A47C 31/11; A47F 3/00; A47F
3/005; E04B 1/3483; E04H 1/1222; G06Q
20/10; G06Q 20/18; G06Q 20/20; G06Q
20/123; G06Q 30/02; G06Q 30/06; G06F
1/10

See application file for complete search history.

(56) **References Cited**

U.S. PATENT DOCUMENTS

| | | |
|-------------|---------|-----------------|
| D167,622 S | 9/1952 | Erickson |
| 3,430,588 A | 3/1969 | Heyer |
| D256,534 S | 8/1980 | Bugos |
| 4,471,586 A | 9/1984 | Shuch et al. |
| D313,077 S | 12/1990 | Minarro |
| 4,974,386 A | 12/1990 | Eriksson et al. |
| D337,668 S | 7/1993 | van der Molen |
| D365,729 S | 1/1996 | Wold |
| D550,855 S | 9/2007 | Tonella |
| D556,341 S | 11/2007 | Jackson et al. |

| | | | | |
|-------------------|---------|-------------|-------|-------------------------|
| D569,440 S * | 5/2008 | Rotta | | D19/62 |
| D603,186 S * | 11/2009 | Abe | | D6/675 |
| D610,818 S | 3/2010 | Crane | | |
| D622,959 S * | 9/2010 | Zalewski | | D3/273 |
| D663,118 S * | 7/2012 | Zalewski | | D3/273 |
| D677,076 S | 3/2013 | Olson | | |
| D681,548 S * | 5/2013 | Zhang | | D13/102 |
| D696,526 S * | 12/2013 | Christensen | | D6/661 |
| D698,869 S * | 2/2014 | Strzelewicz | | D21/499 |
| 8,783,779 B2 * | 7/2014 | Wittenberg | | A47C 31/11 297/228.1 |
| D721,890 S * | 2/2015 | Heil | | D3/272 |
| D729,059 S * | 5/2015 | Taylor | | D9/432 |
| D738,140 S * | 9/2015 | Bartelmuss | | D6/664 |
| 2004/0226210 A1 * | 11/2004 | Kaur | | G09F 1/10 40/725 |
| 2005/0104483 A1 * | 5/2005 | Saravis | | A47B 47/0033 312/111 |

* cited by examiner

Primary Examiner — Ricky Pham

(74) *Attorney, Agent, or Firm* — Fitch, Even, Tabin & Flannery, LLP

(57) **CLAIM**

I claim the ornamental design for a kiosk, as shown and described.

DESCRIPTION

FIG. 1 is a perspective view of a kiosk in accordance with a first embodiment of my new design in a closed configuration; FIG. 2 is a front elevational view thereof, the rear elevational, right side elevational, and left side elevational views being identical thereto; FIG. 3 is a top plan view thereof; FIG. 4 is a bottom plan view thereof; FIG. 5 is a perspective view of the kiosk of FIG. 1 in an open configuration; FIG. 6 is a front elevational view thereof, the rear elevational, right side elevational, and left side elevational views being identical thereto; FIG. 7 is a top plan view thereof; FIG. 8 is a bottom plan view thereof; FIG. 9 is a perspective view of a kiosk in accordance with a second embodiment of my new design in a closed configuration;

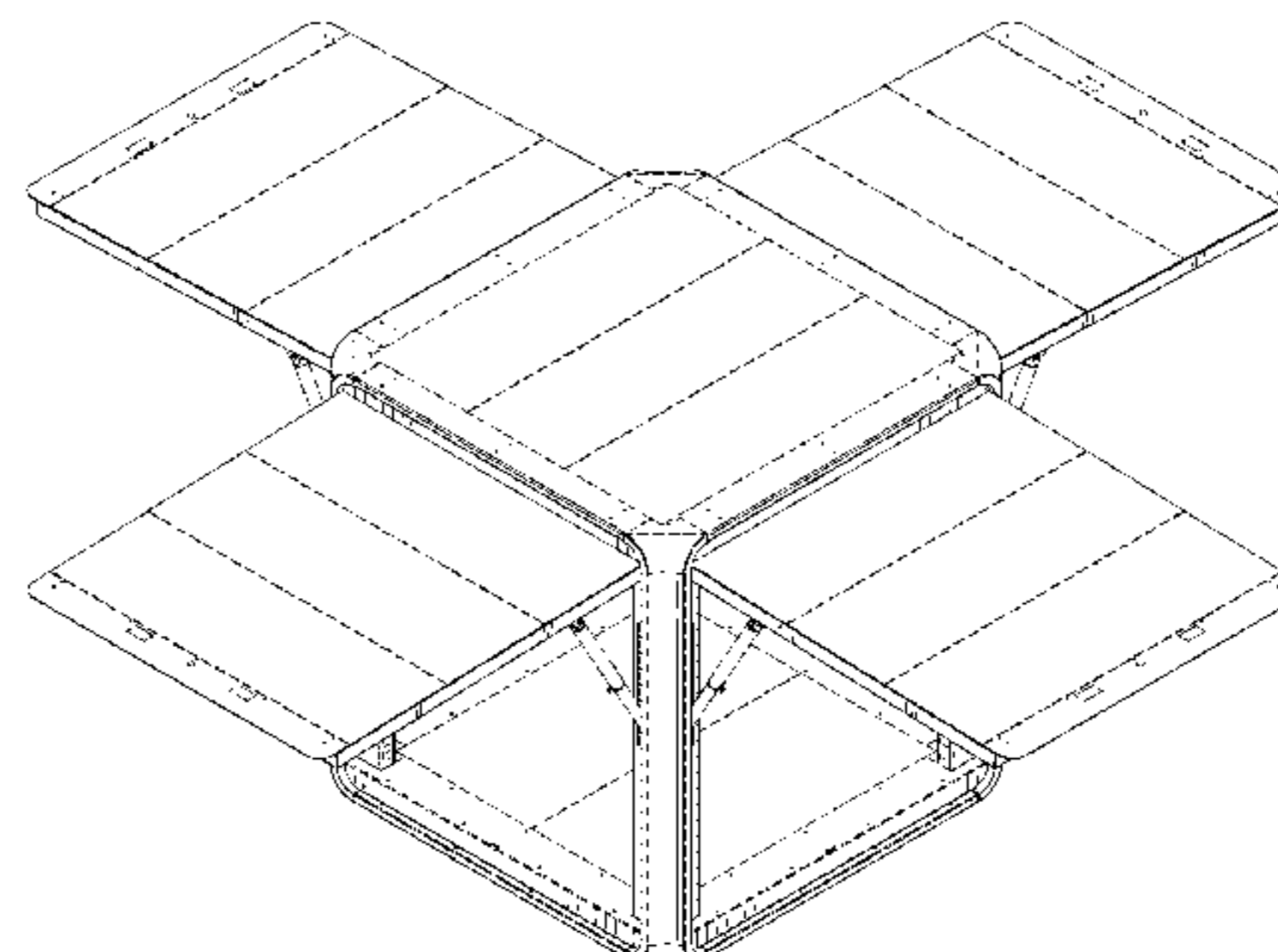
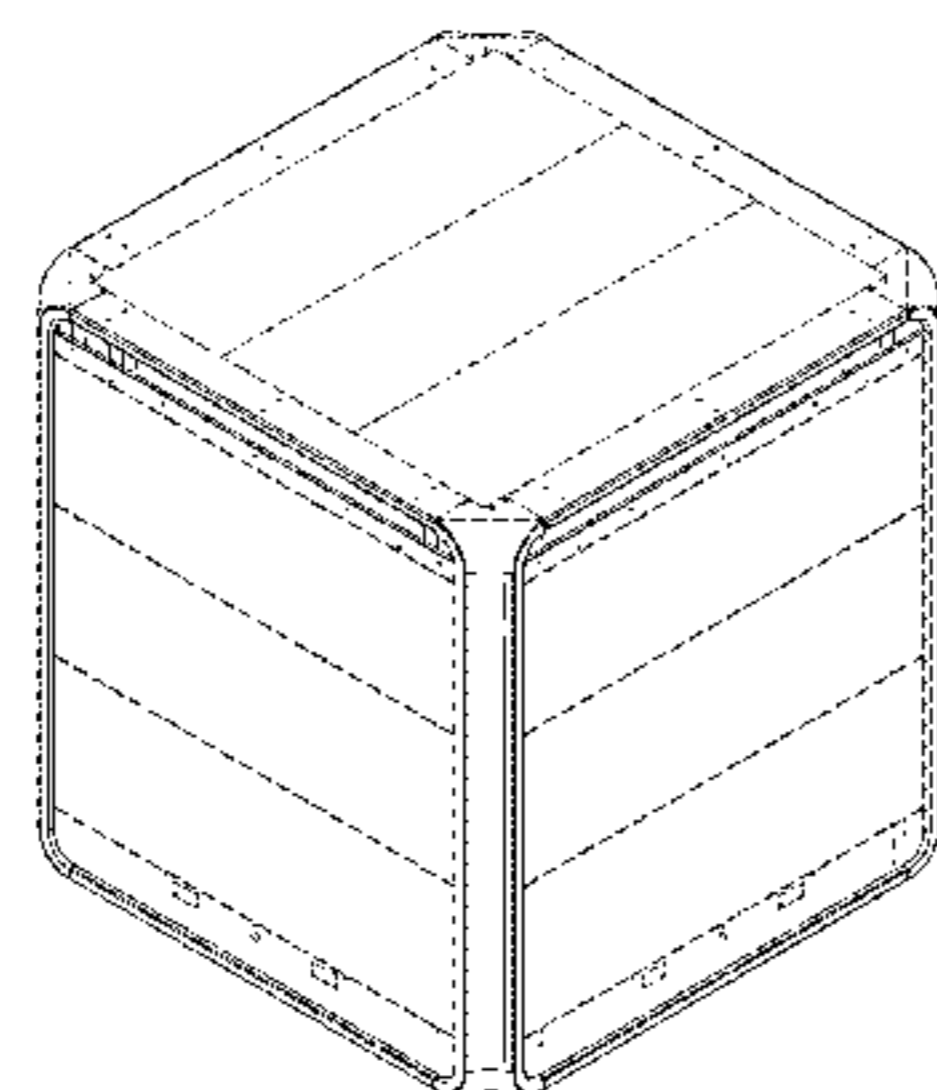


FIG. 10 is a front elevational view thereof, the rear elevational, right side elevational, and left side elevational views being identical thereto;

FIG. 11 is a top plan view thereof;

FIG. 12 is a bottom plan view thereof;

FIG. 13 is a perspective view of the kiosk of FIG. 9 in an open configuration;

FIG. 14 is a front elevational view thereof, the rear elevational, right side elevational, and left side elevational views being identical thereto;

FIG. 15 is a top plan view thereof;

FIG. 16 is a bottom plan view thereof;

FIG. 17 is a perspective view of a kiosk in accordance with a third embodiment of my new design in a closed configuration;

FIG. 18 is a front elevational view thereof, the rear elevational view being identical thereto;

FIG. 19 is a right side elevational view thereof, the left side elevational view being identical thereto;

FIG. 20 is a top plan view thereof;

FIG. 21 is a bottom plan view thereof;

FIG. 22 is a perspective view of the kiosk of FIG. 17 in an open configuration;

FIG. 23 is a front elevational view thereof, the rear elevational view being identical thereto;

FIG. 24 is a right side elevational view thereof, the left side elevational view being identical thereto;

FIG. 25 is a top plan view thereof;

FIG. 26 is a bottom plan view thereof; and,

FIG. 27 is a perspective view of the kiosk of FIG. 17 in a partially open configuration.

The broken lines depict unclaimed environmental subject matter and form no part of the claimed design.

1 Claim, 19 Drawing Sheets

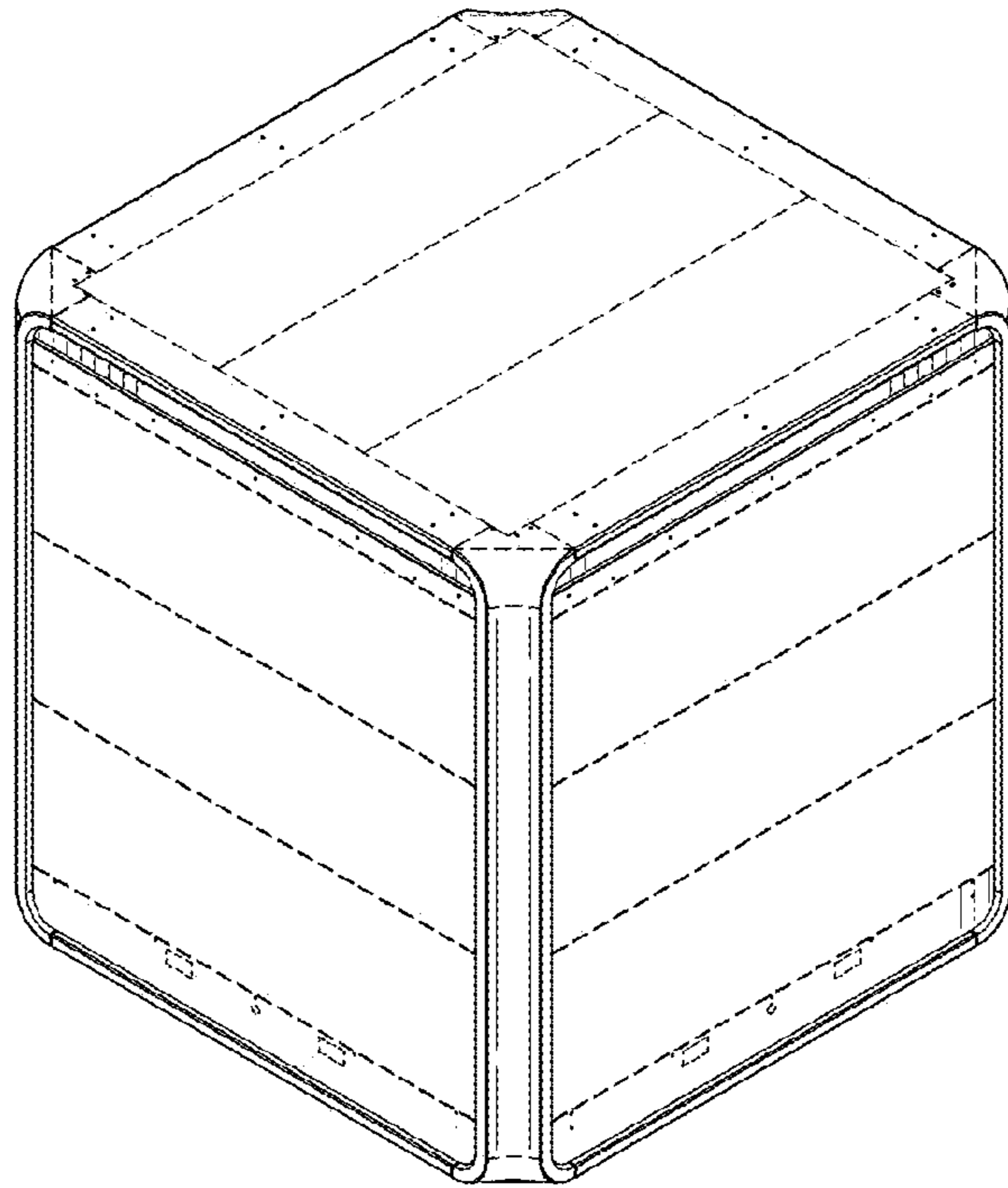


FIG. 1

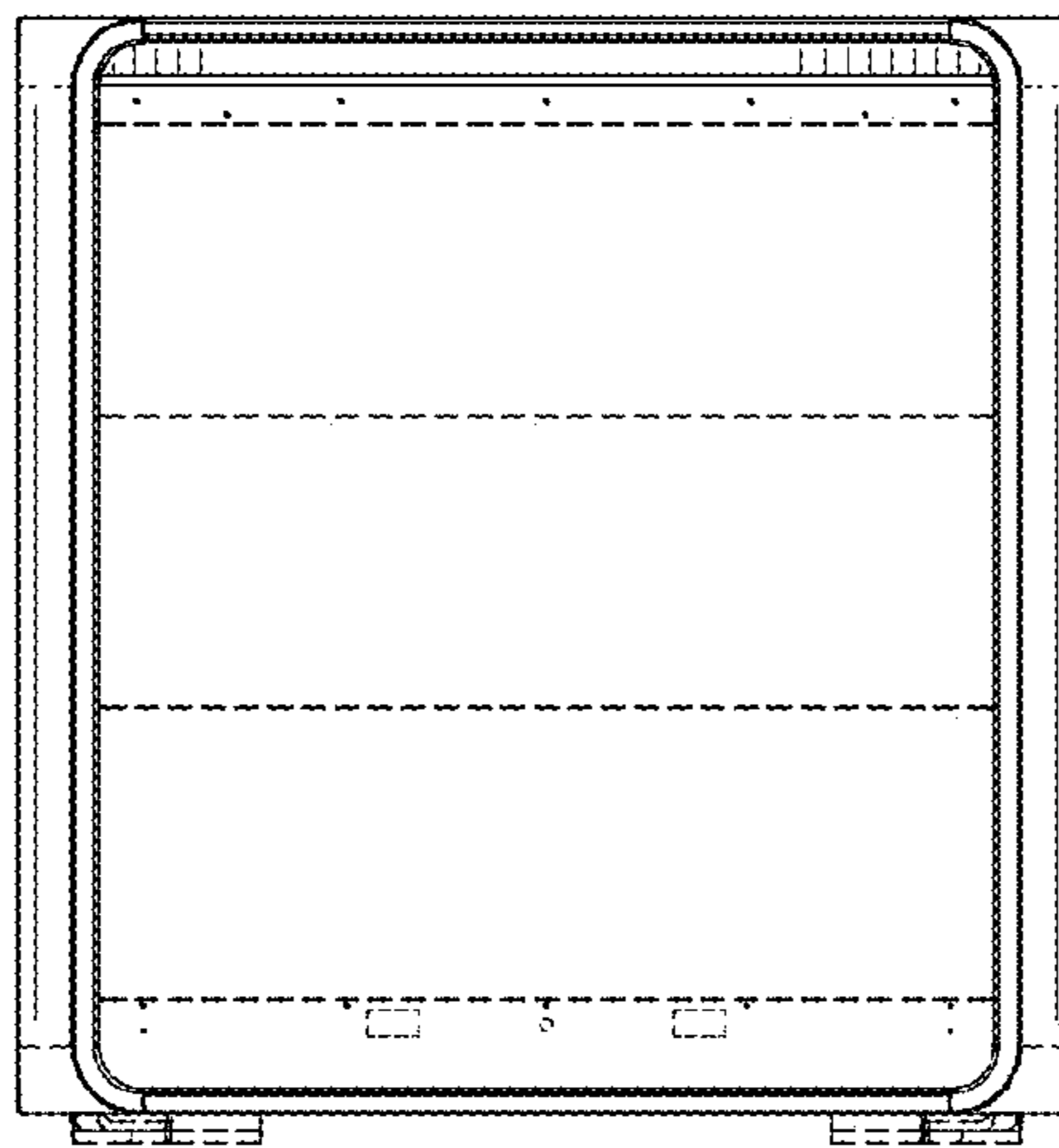


FIG. 2

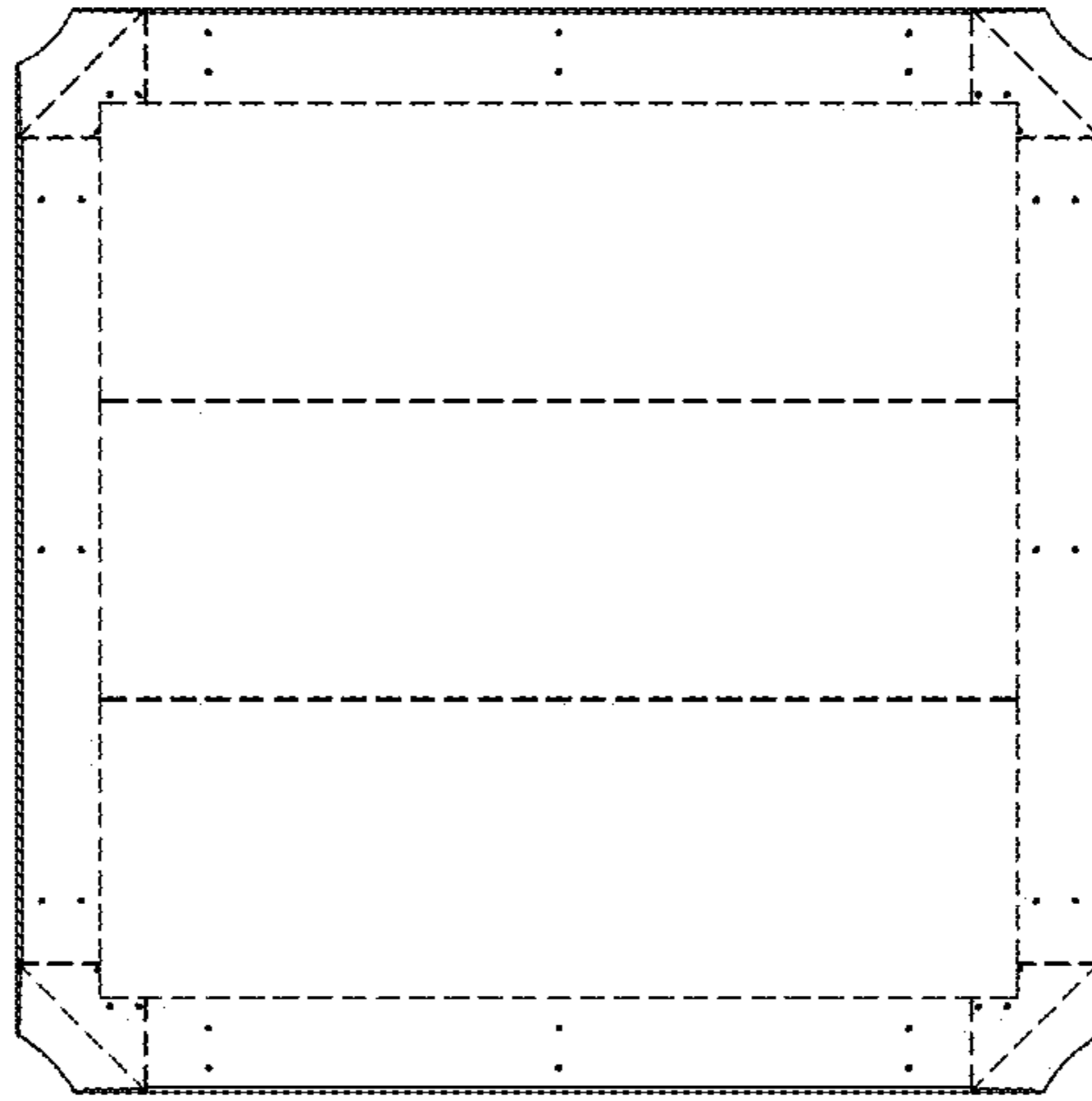


FIG. 3

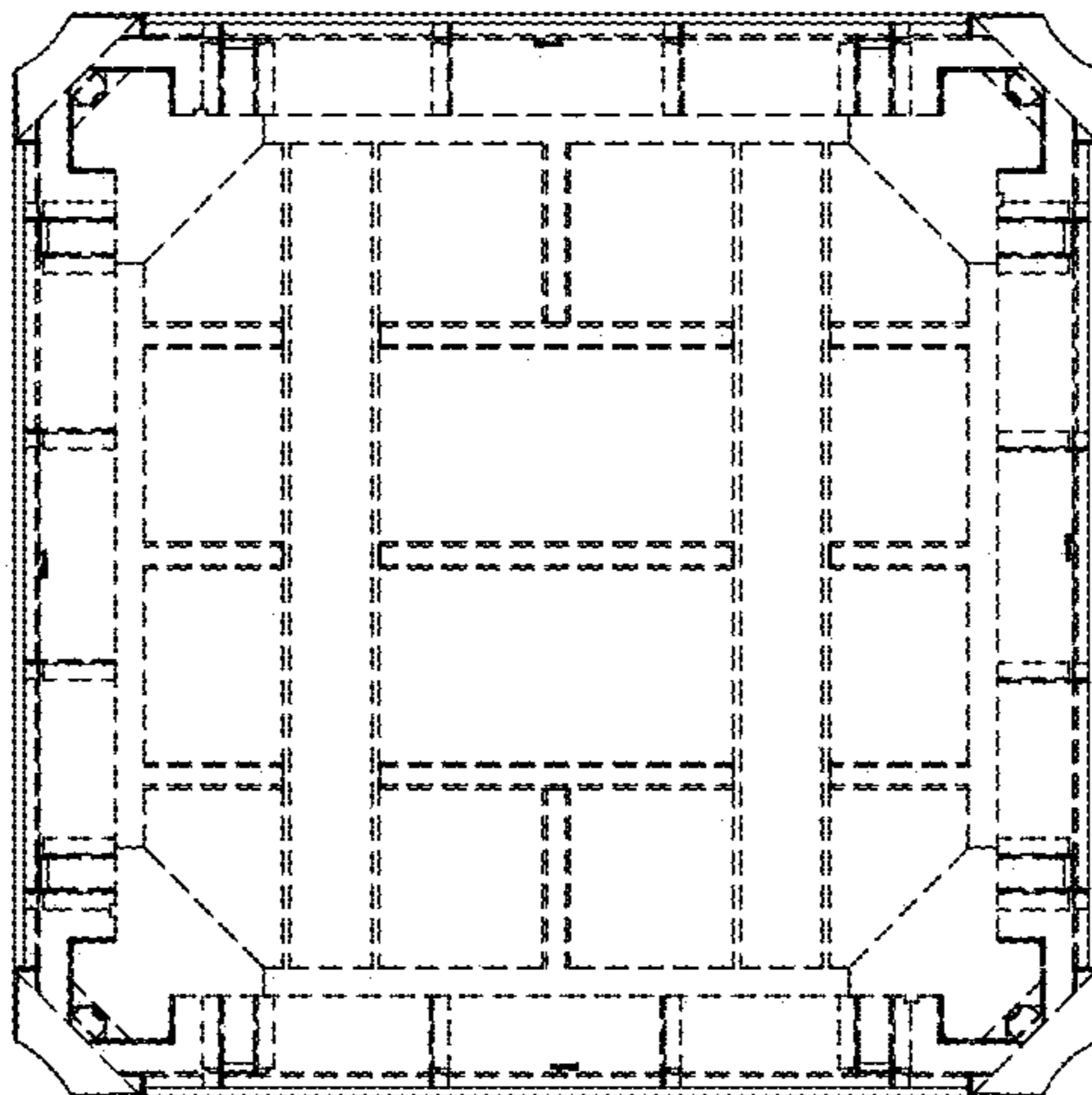


FIG. 4

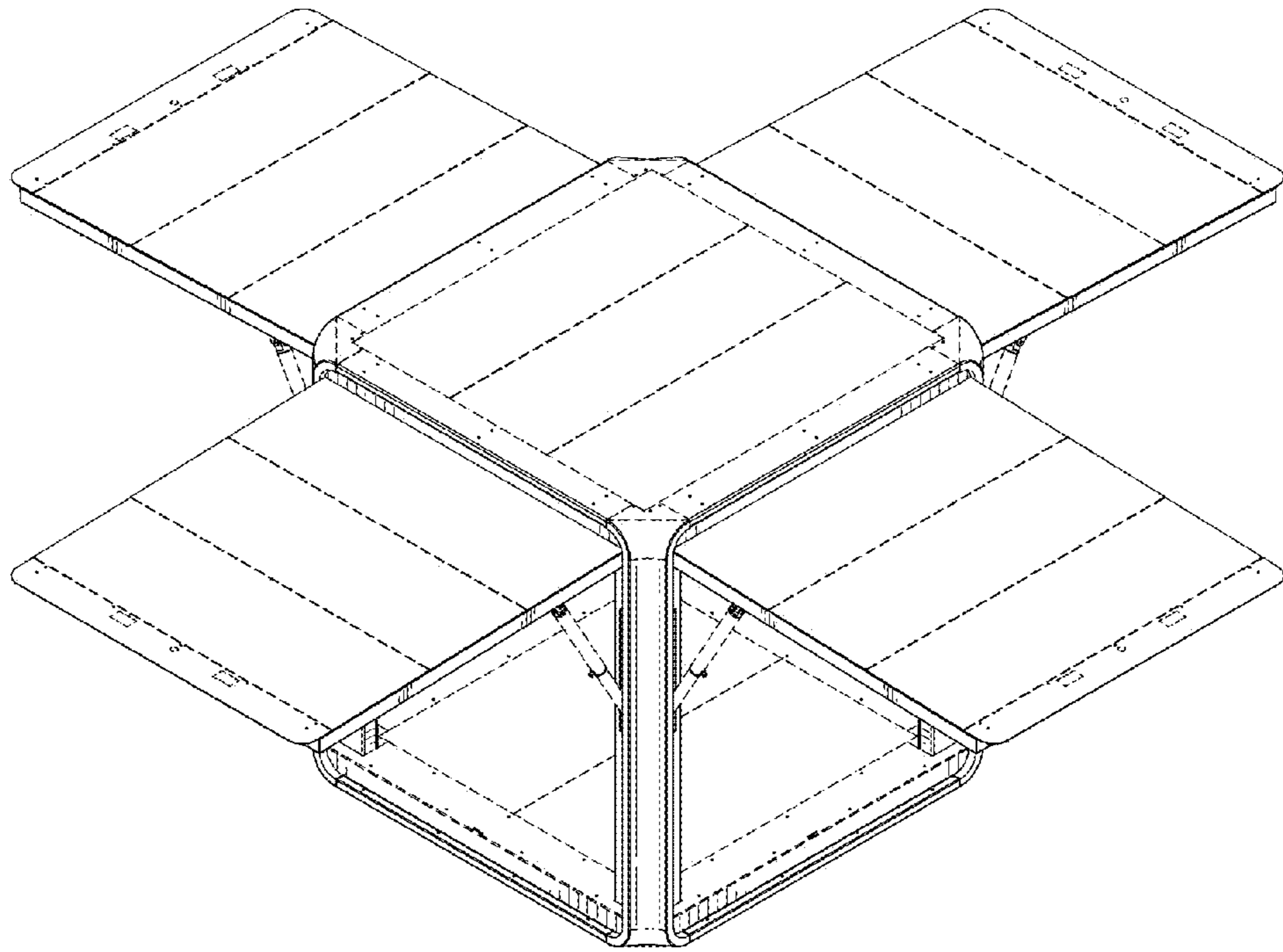


FIG. 5

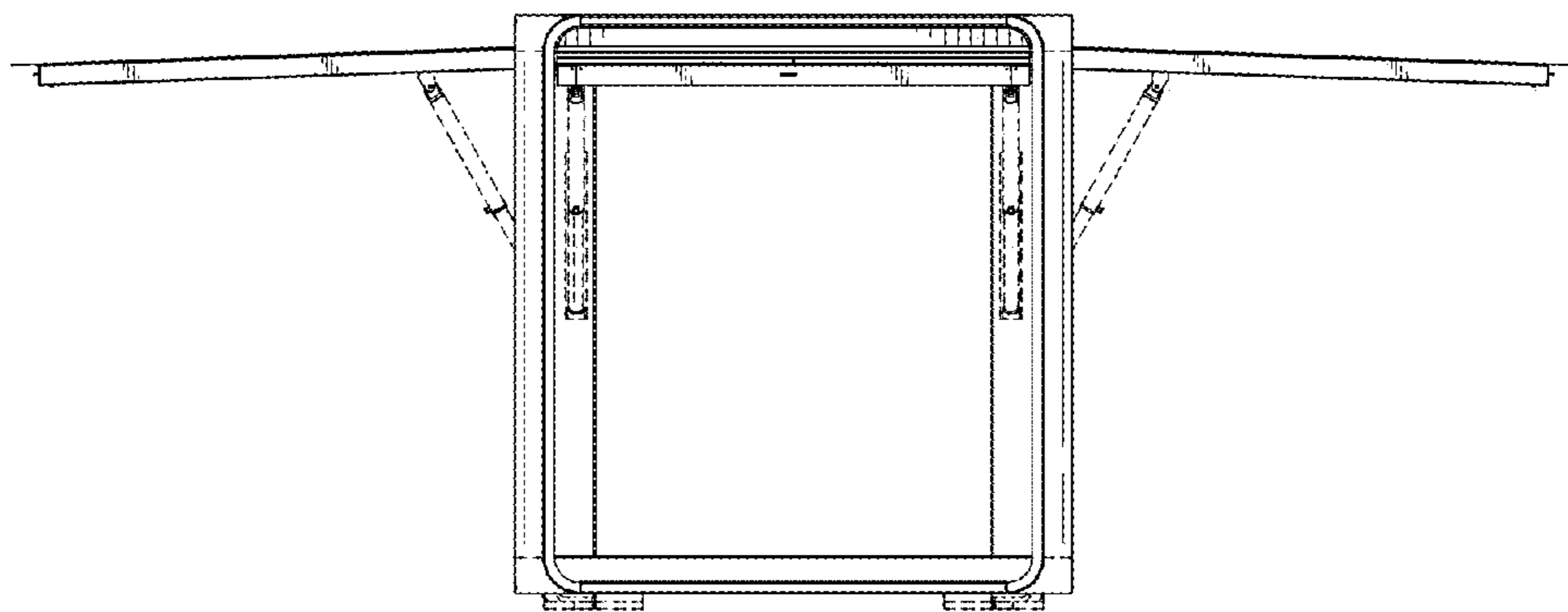


FIG. 6

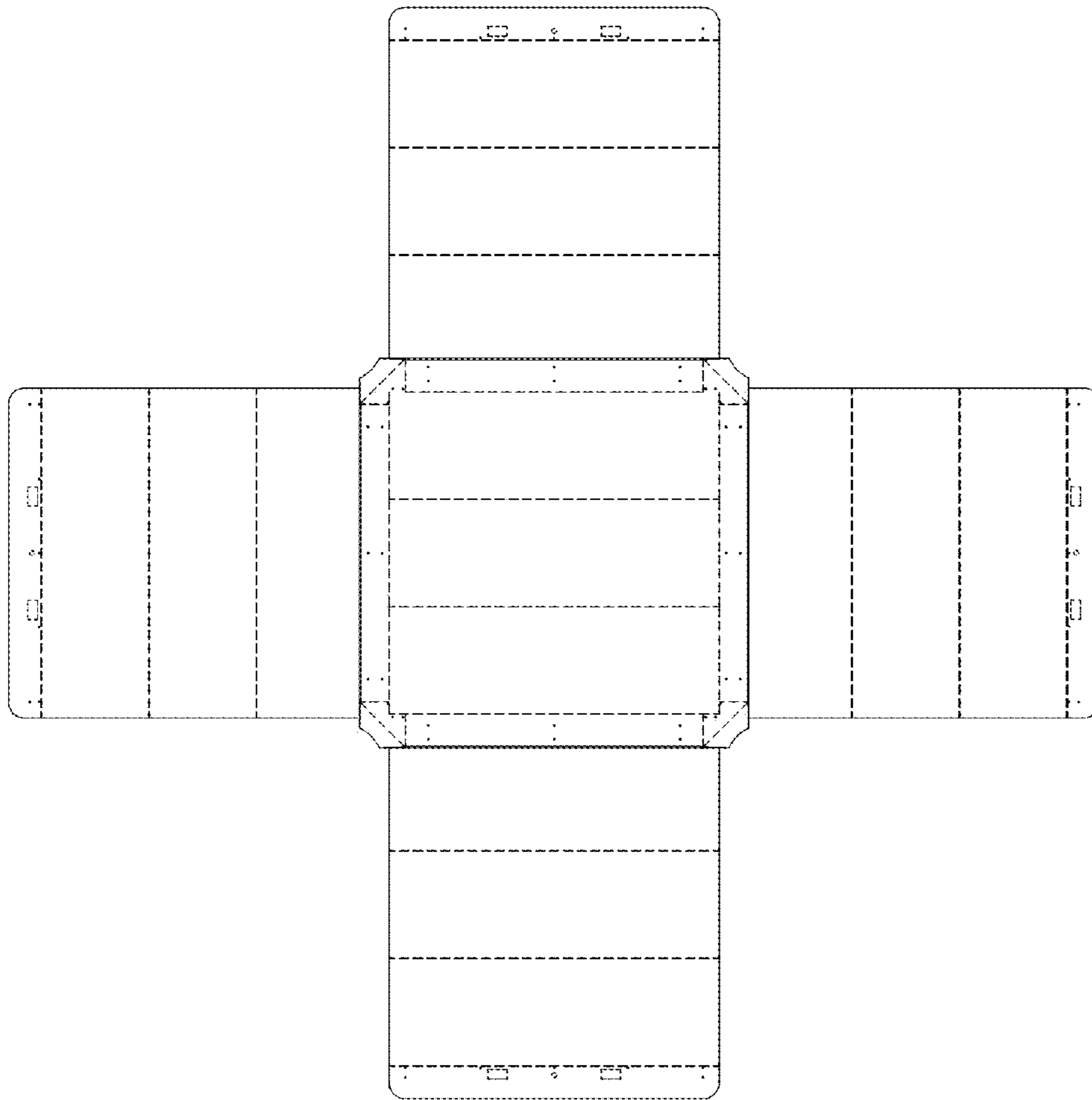


FIG. 7

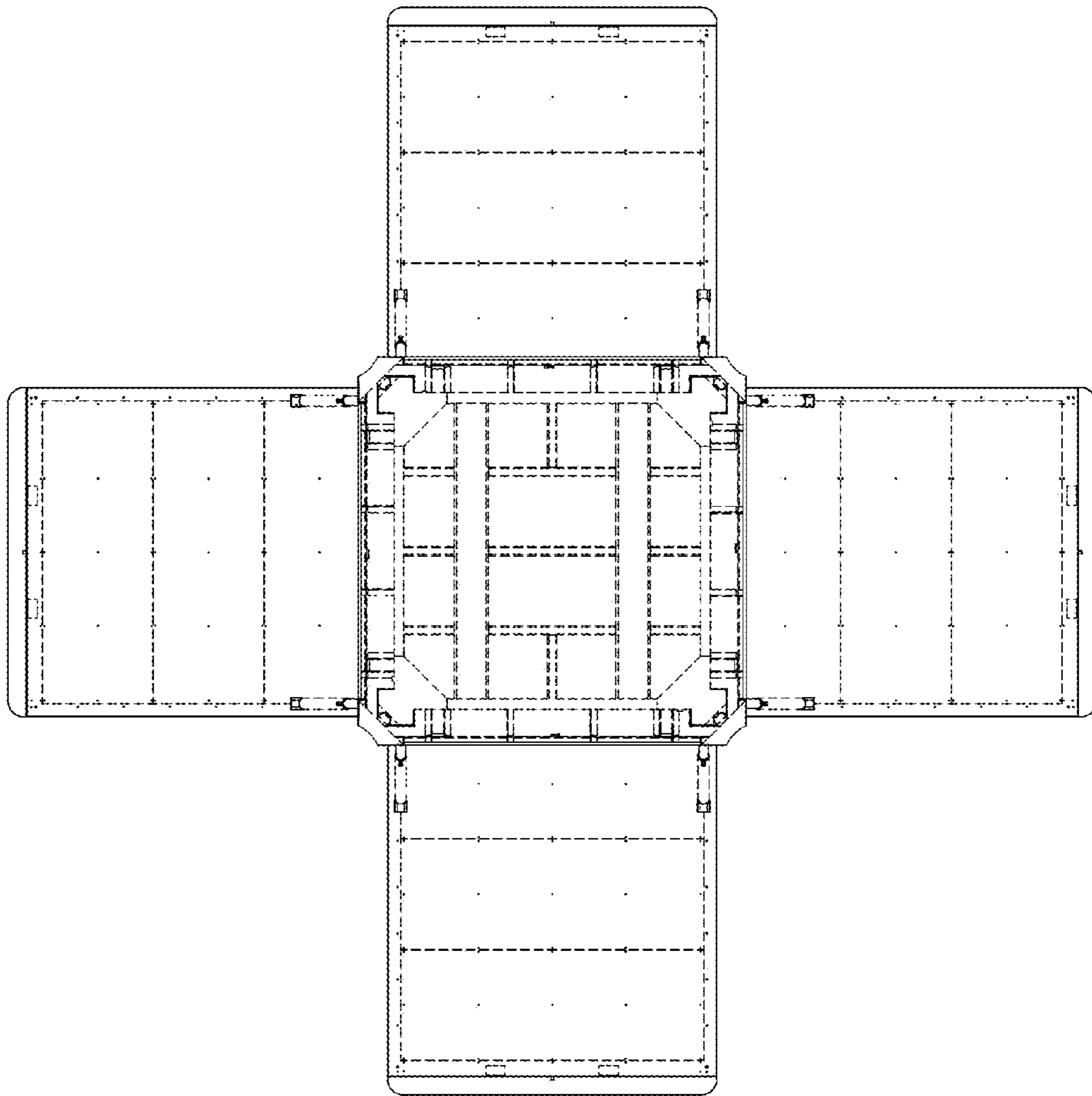


FIG. 8

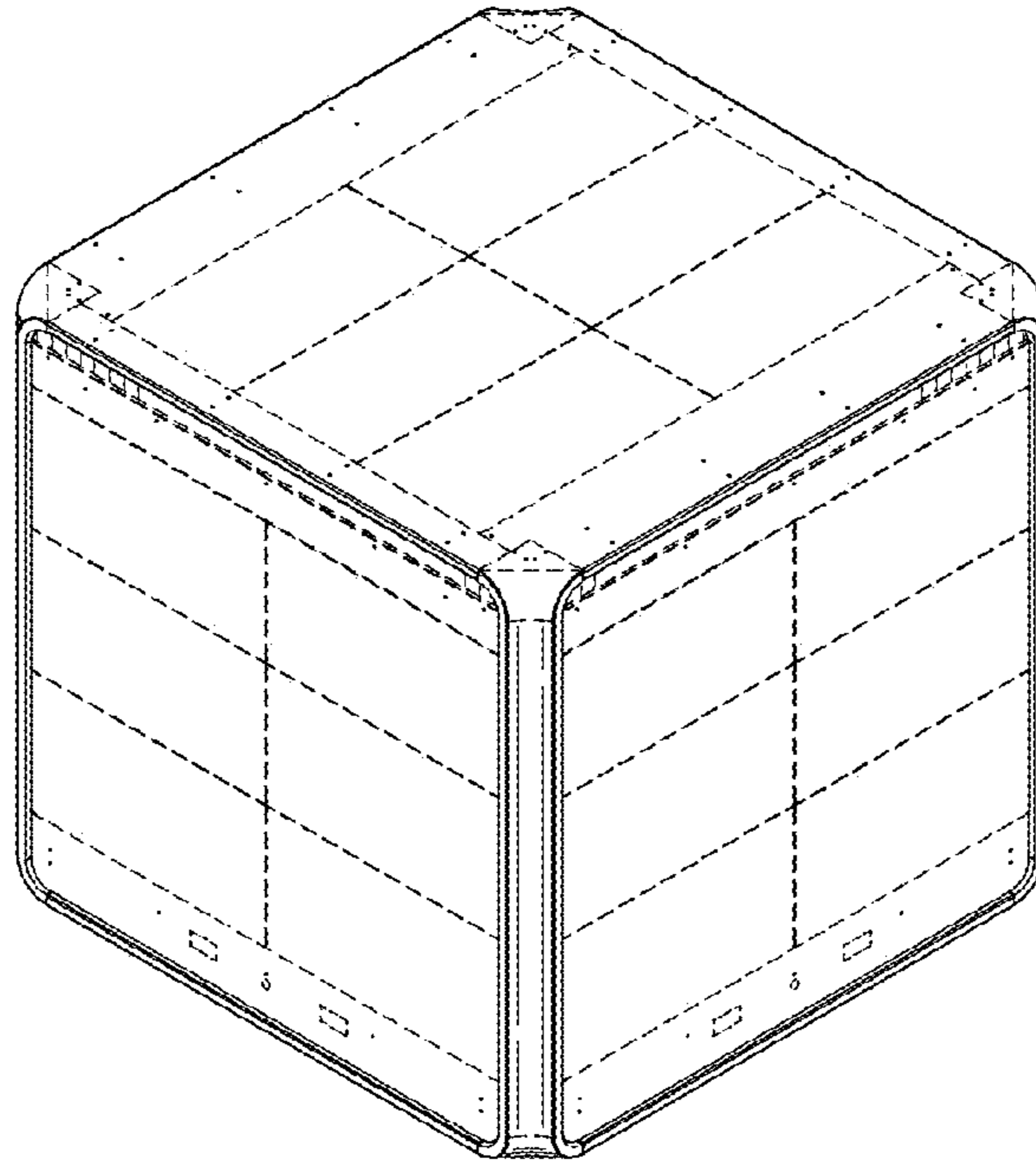


FIG. 9

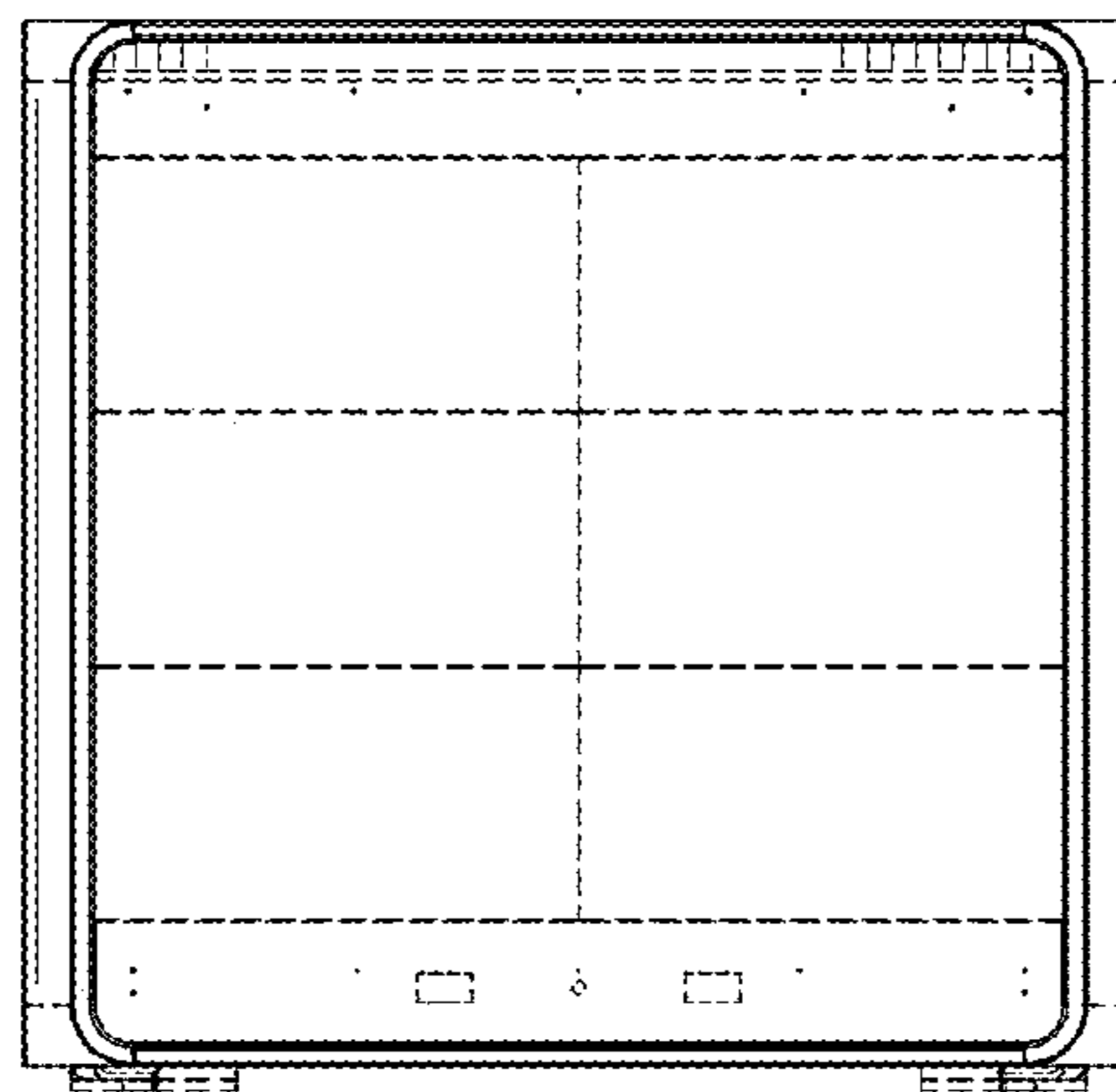


FIG. 10

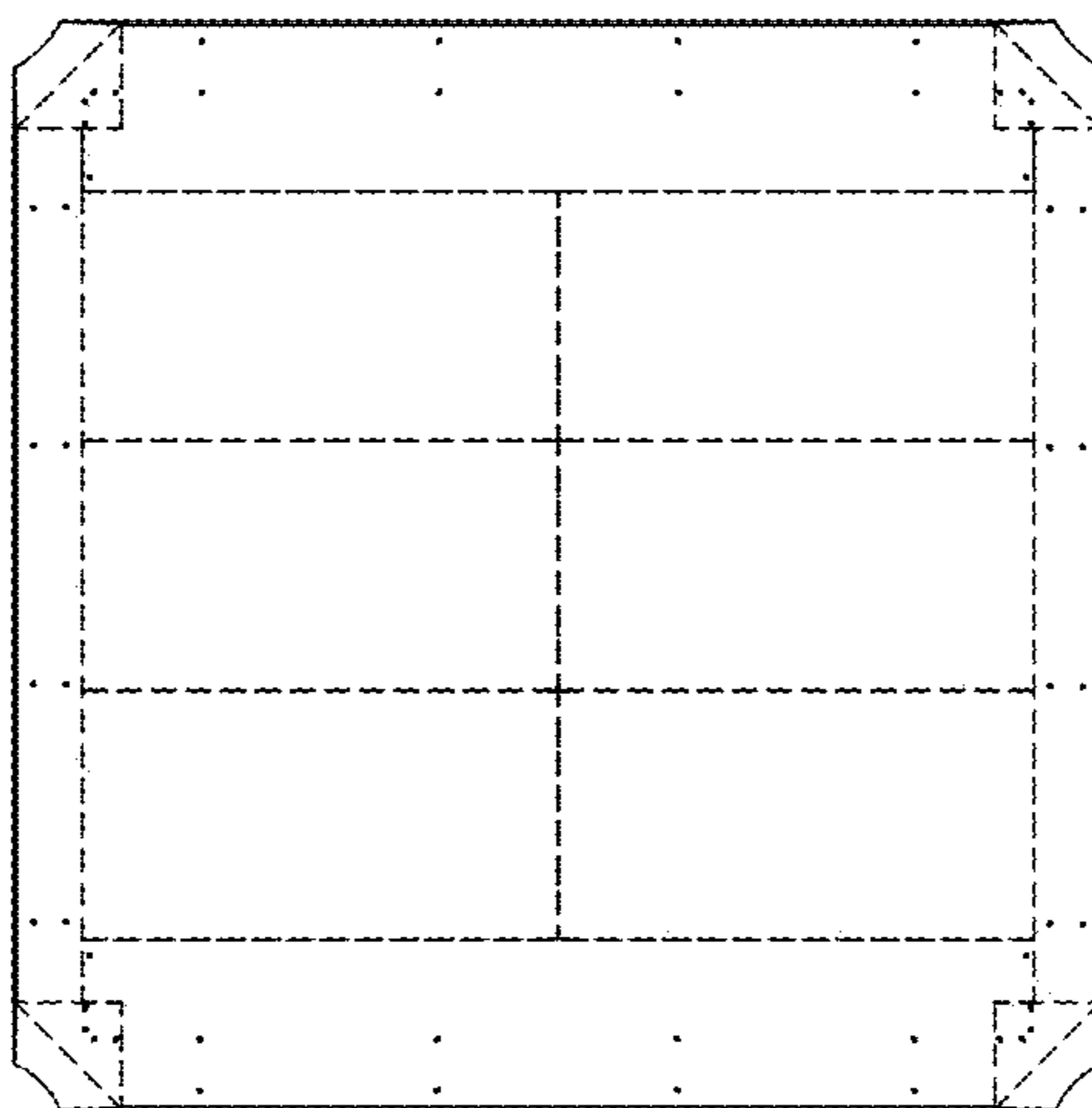


FIG. 11

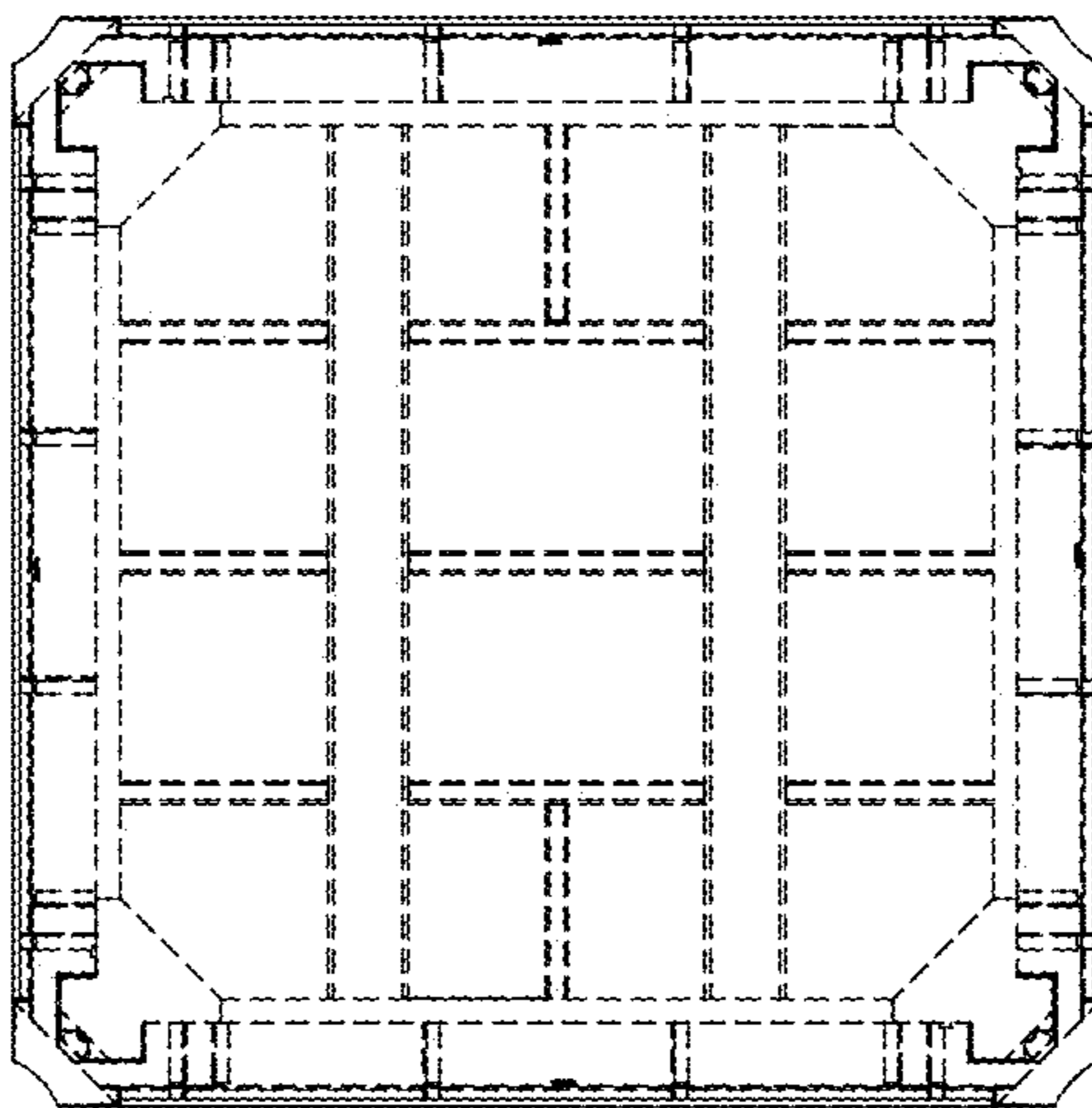


FIG. 12

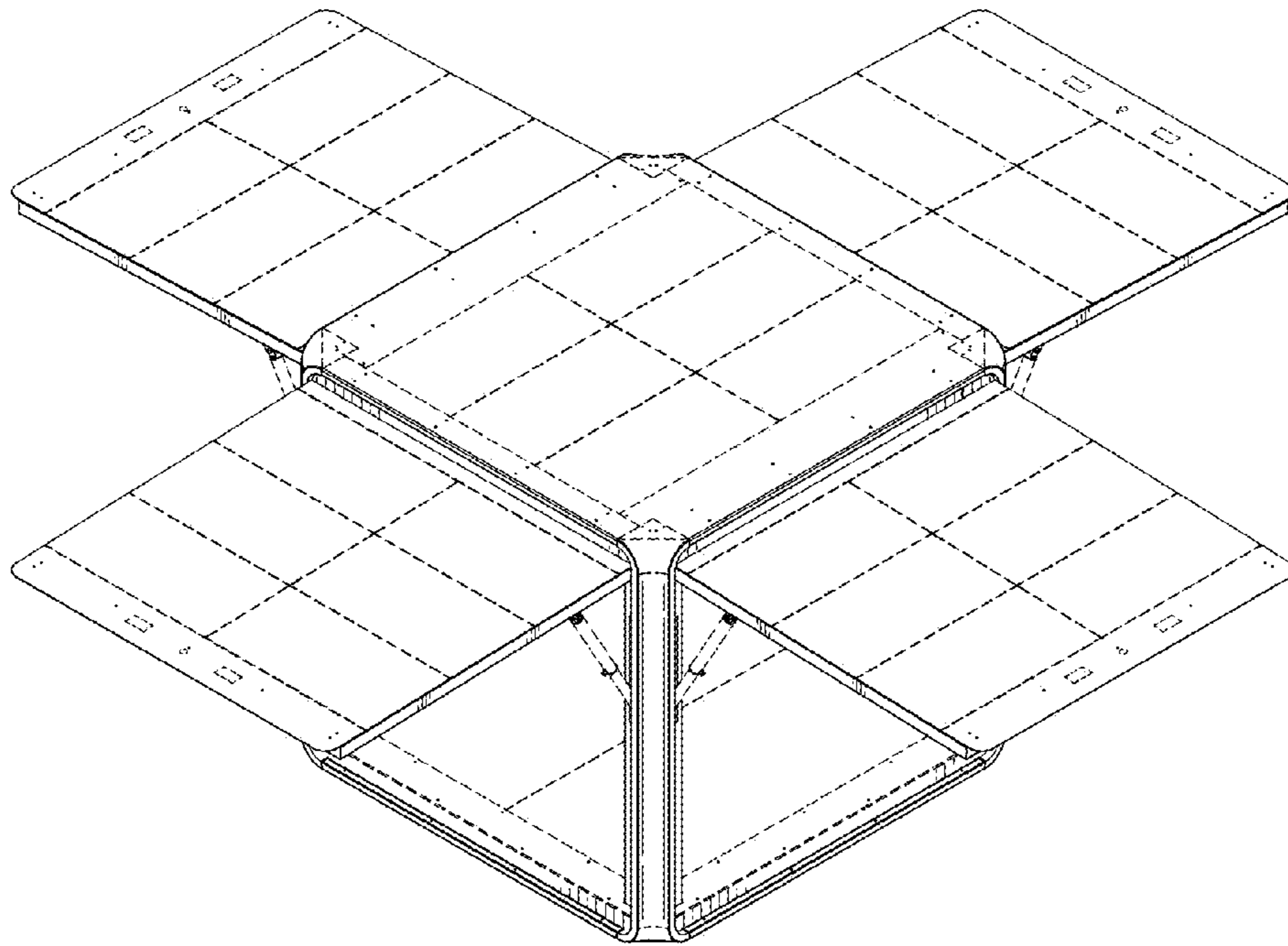


FIG. 13

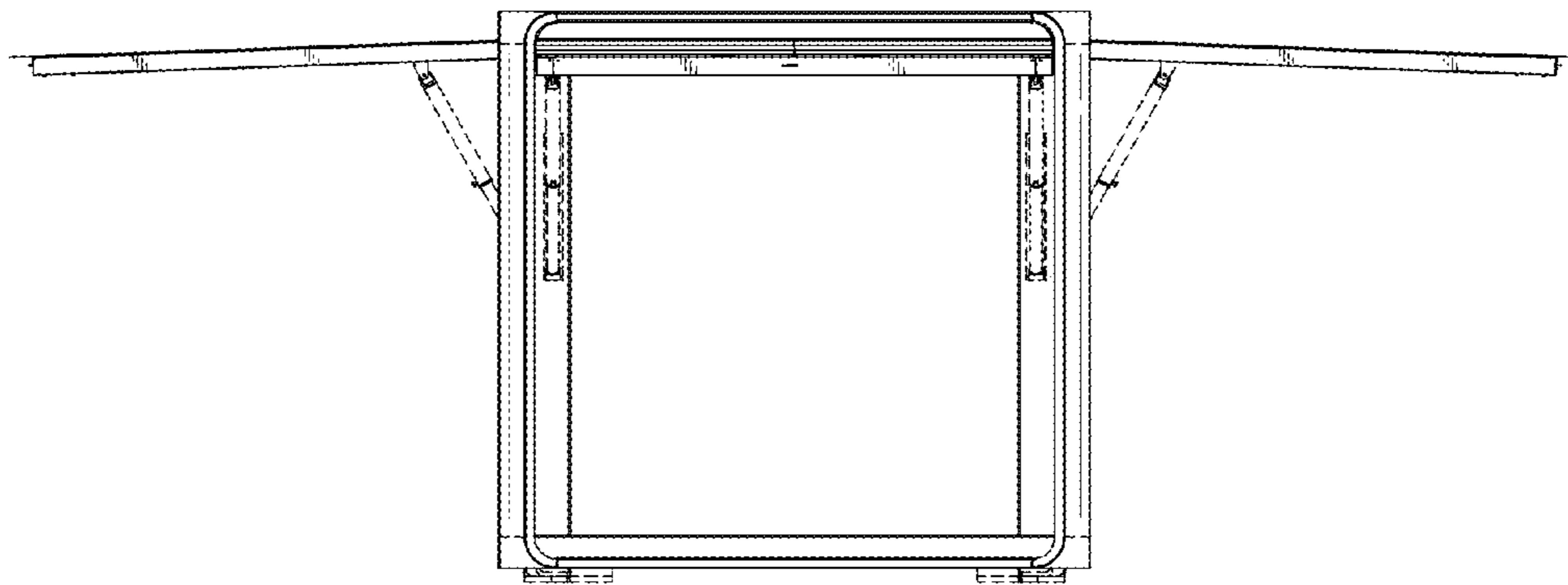


FIG. 14

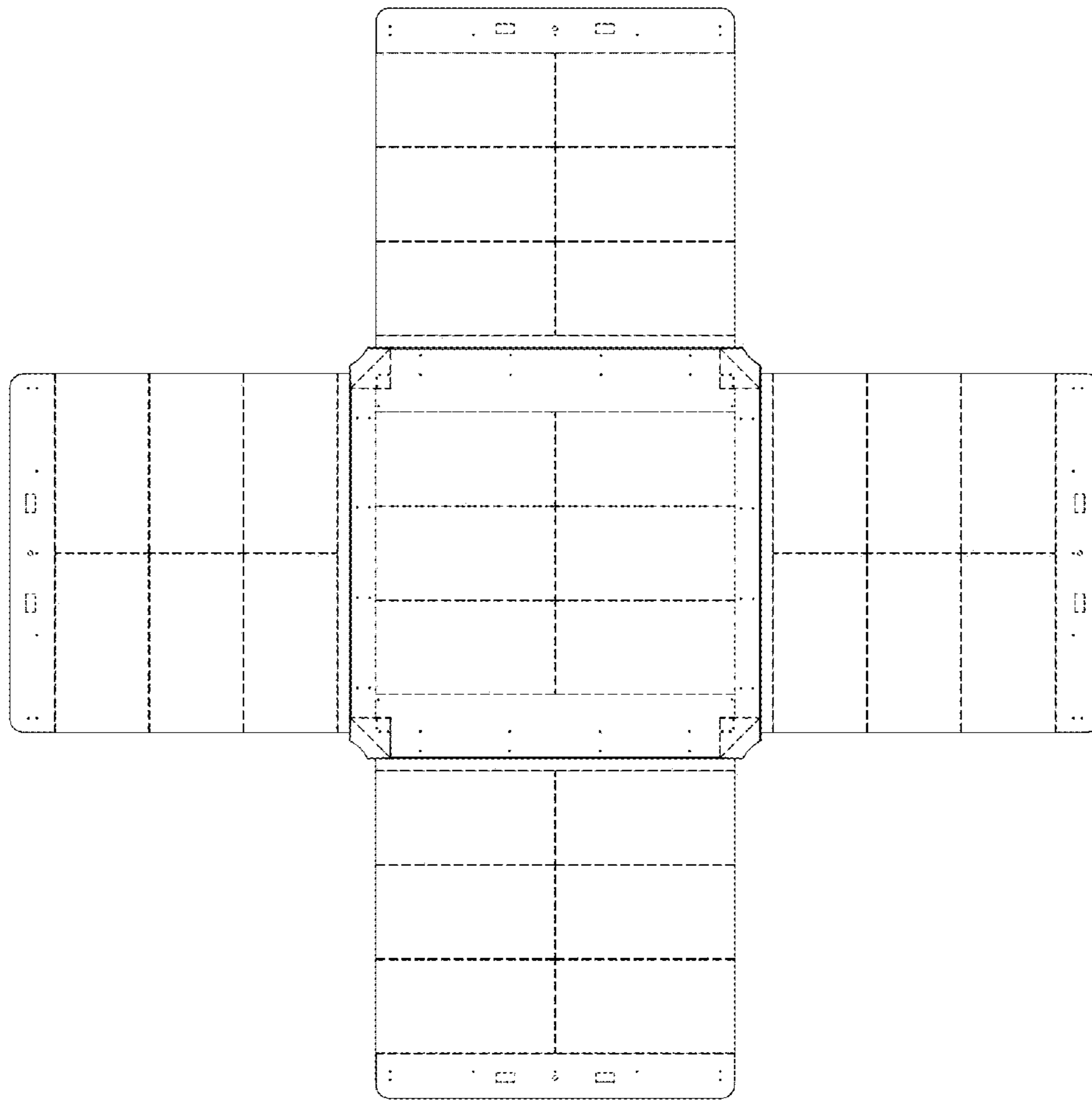


FIG. 15

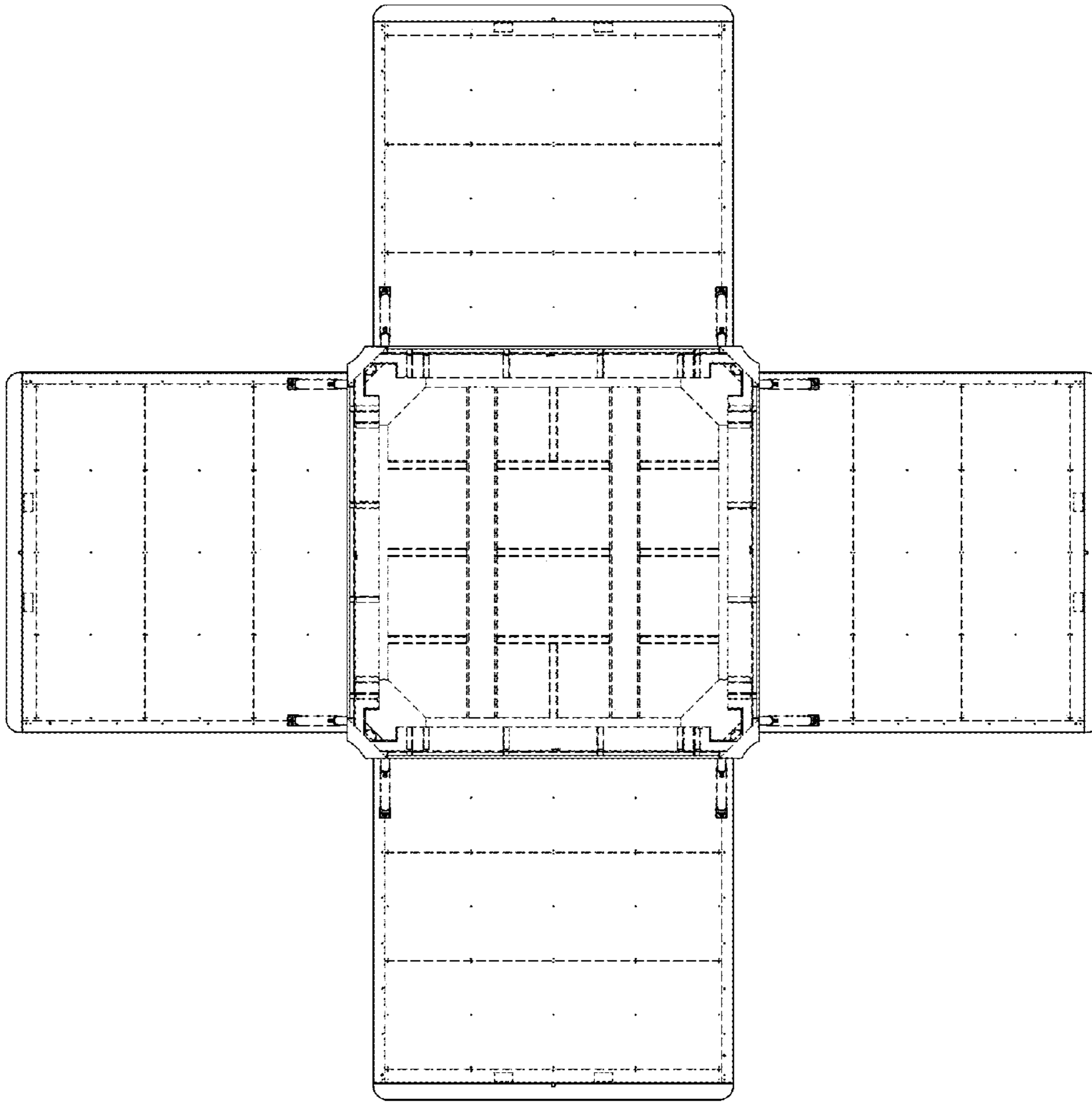


FIG. 16

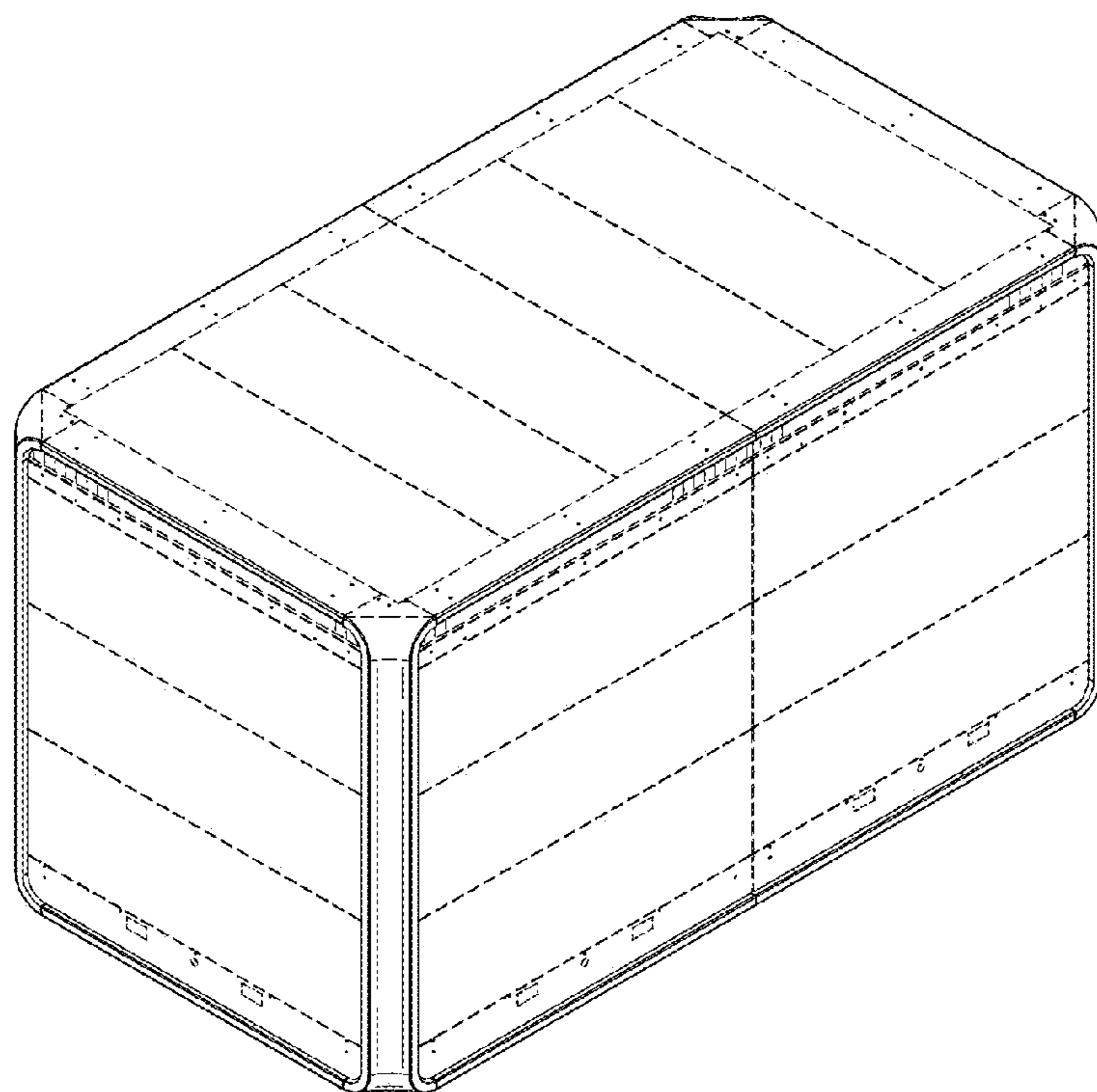


FIG. 17

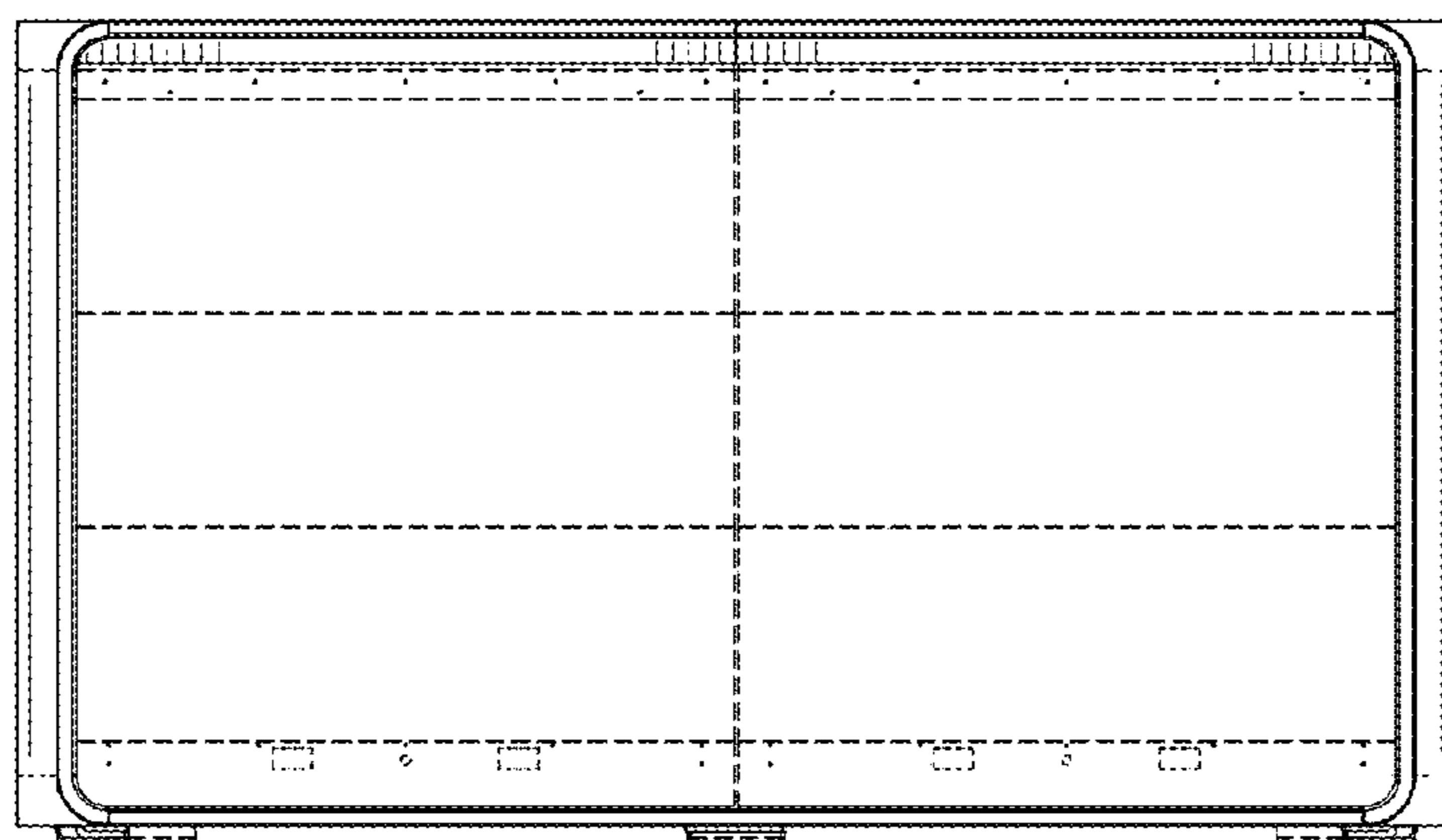


FIG. 18

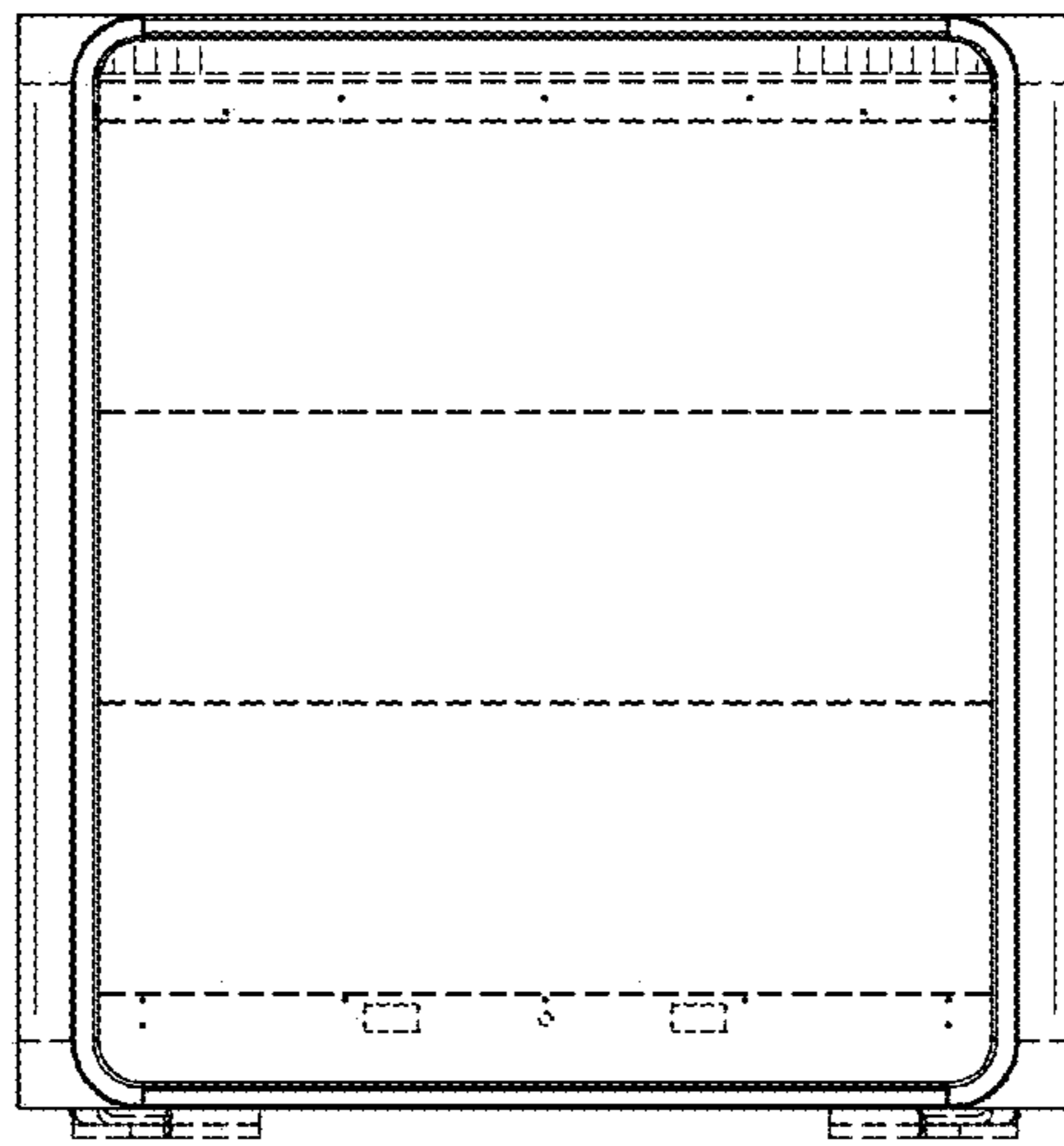


FIG. 19

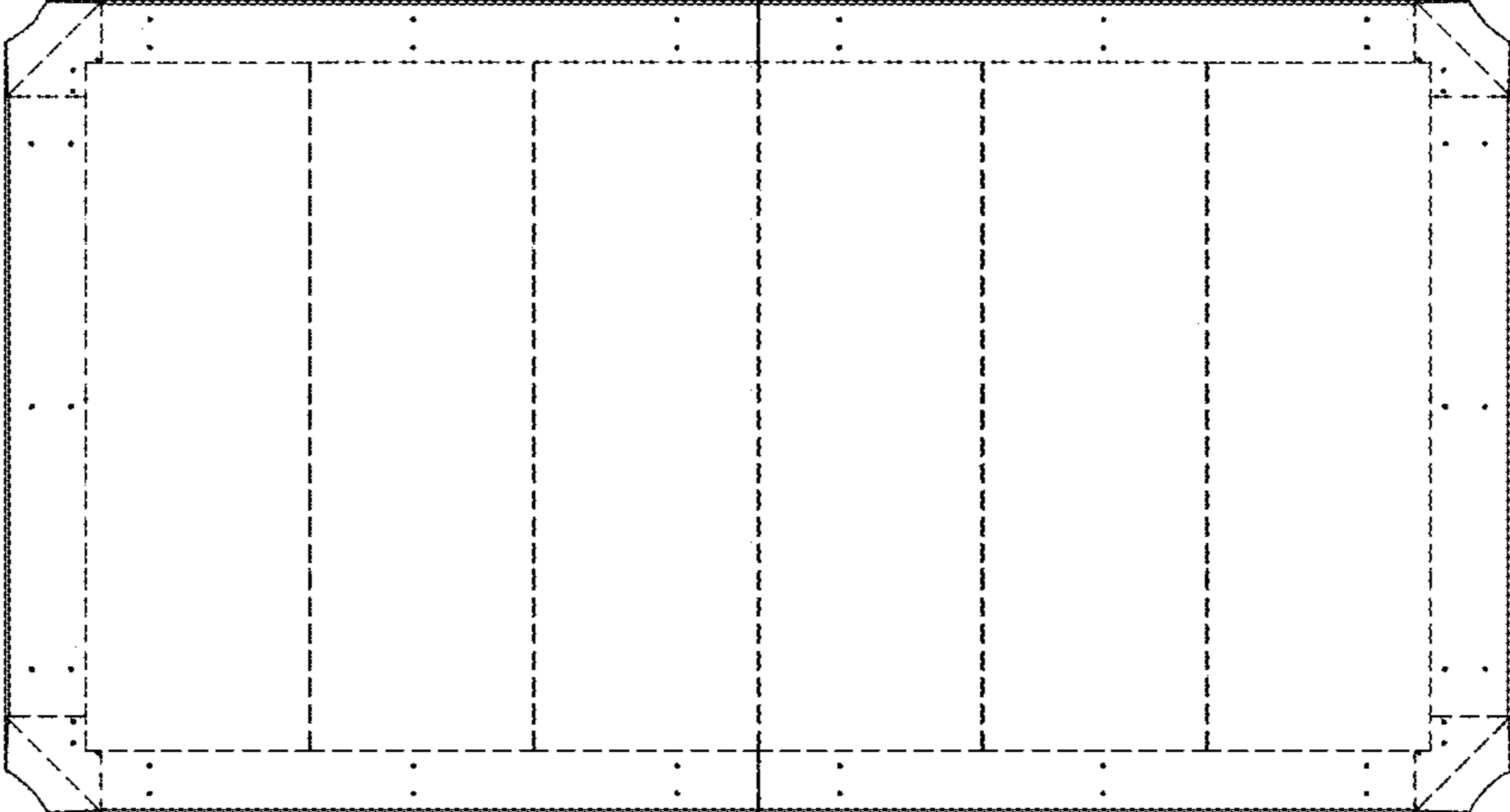


FIG. 20

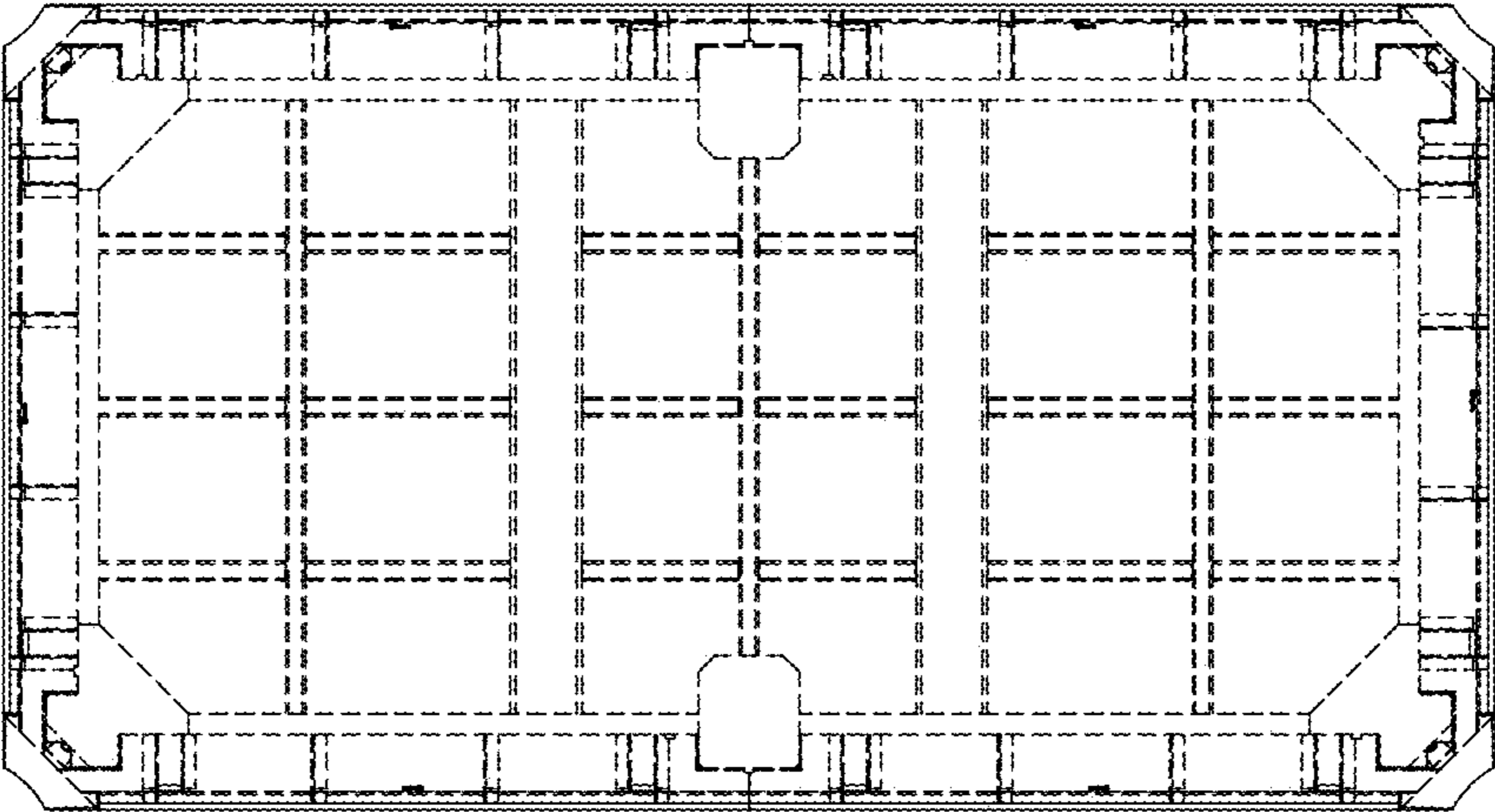


FIG. 21

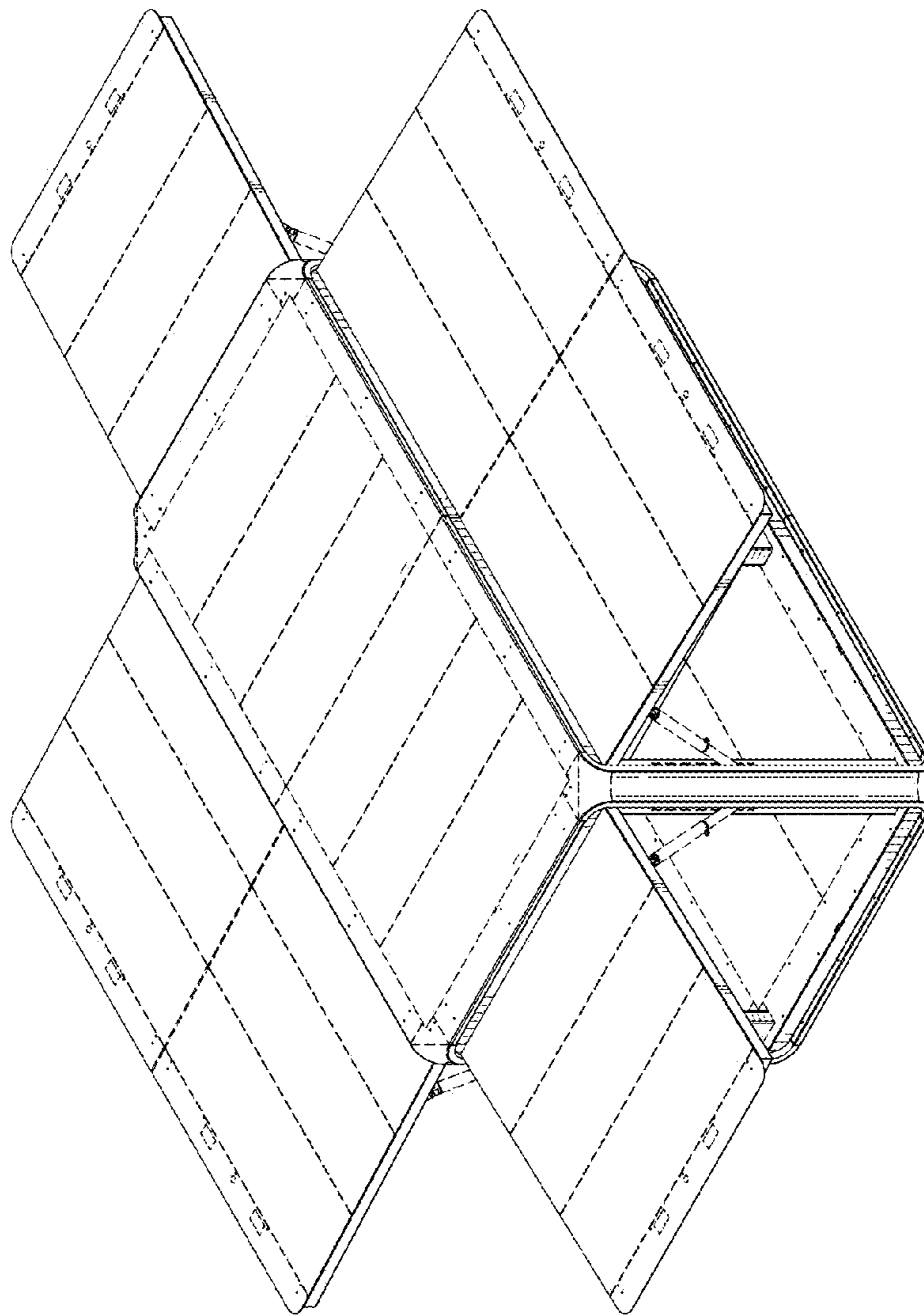


FIG. 22

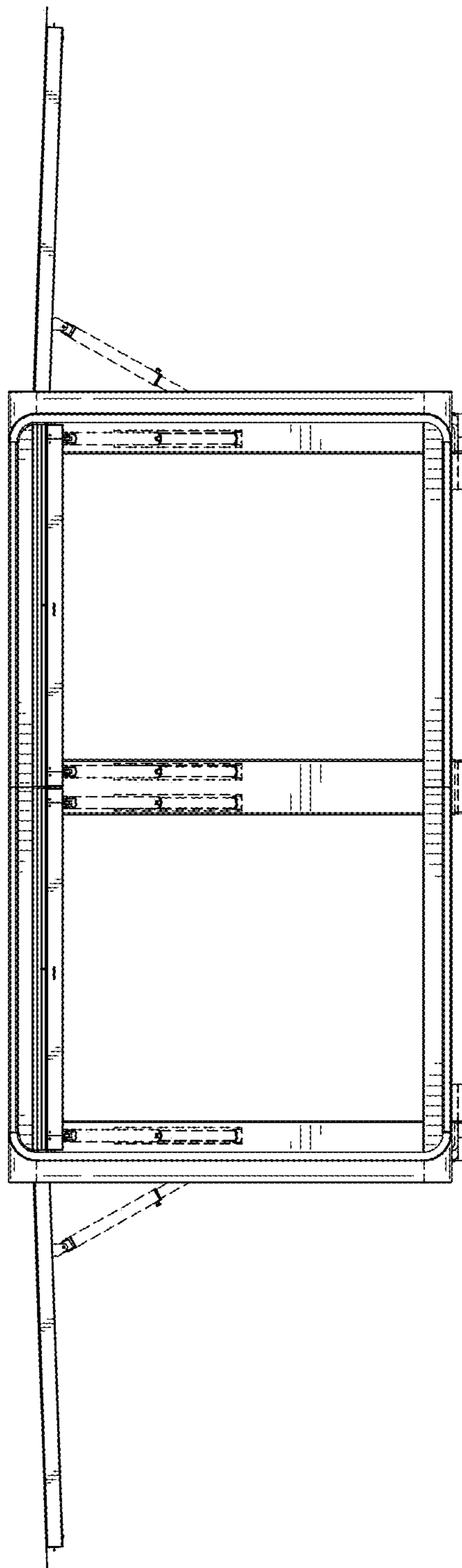


FIG. 23

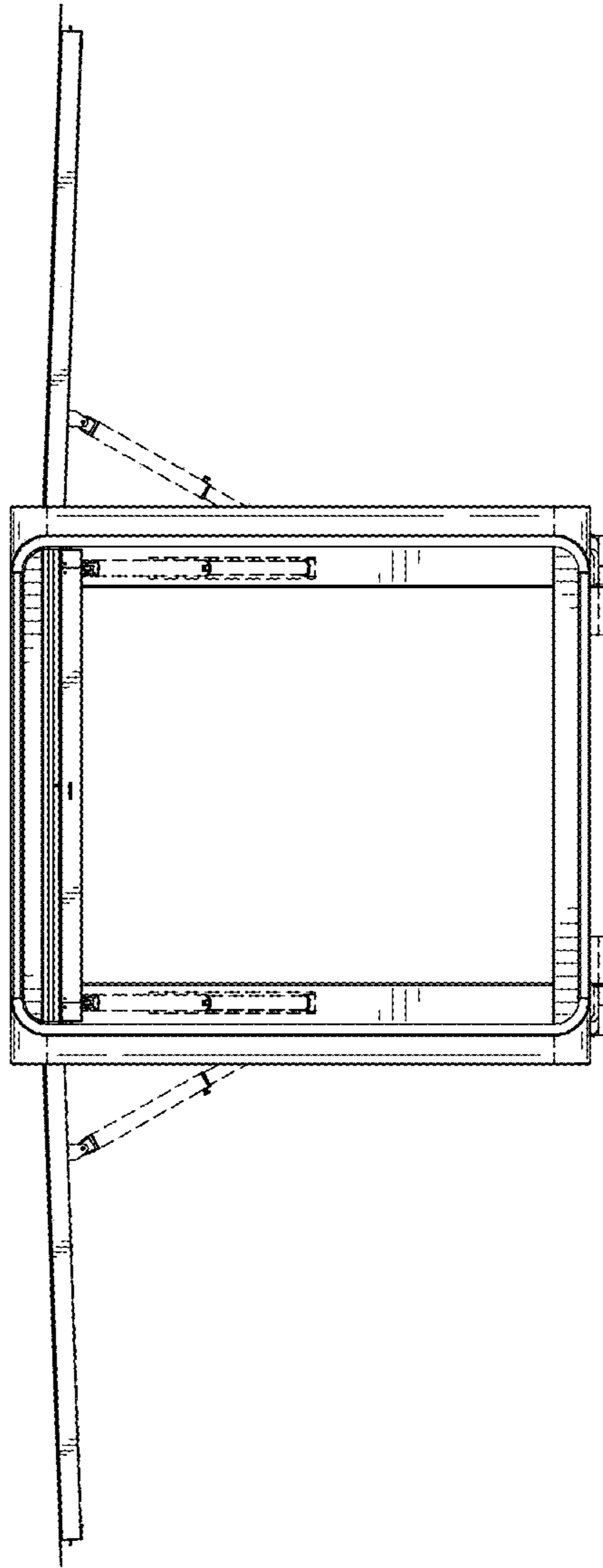


FIG. 24

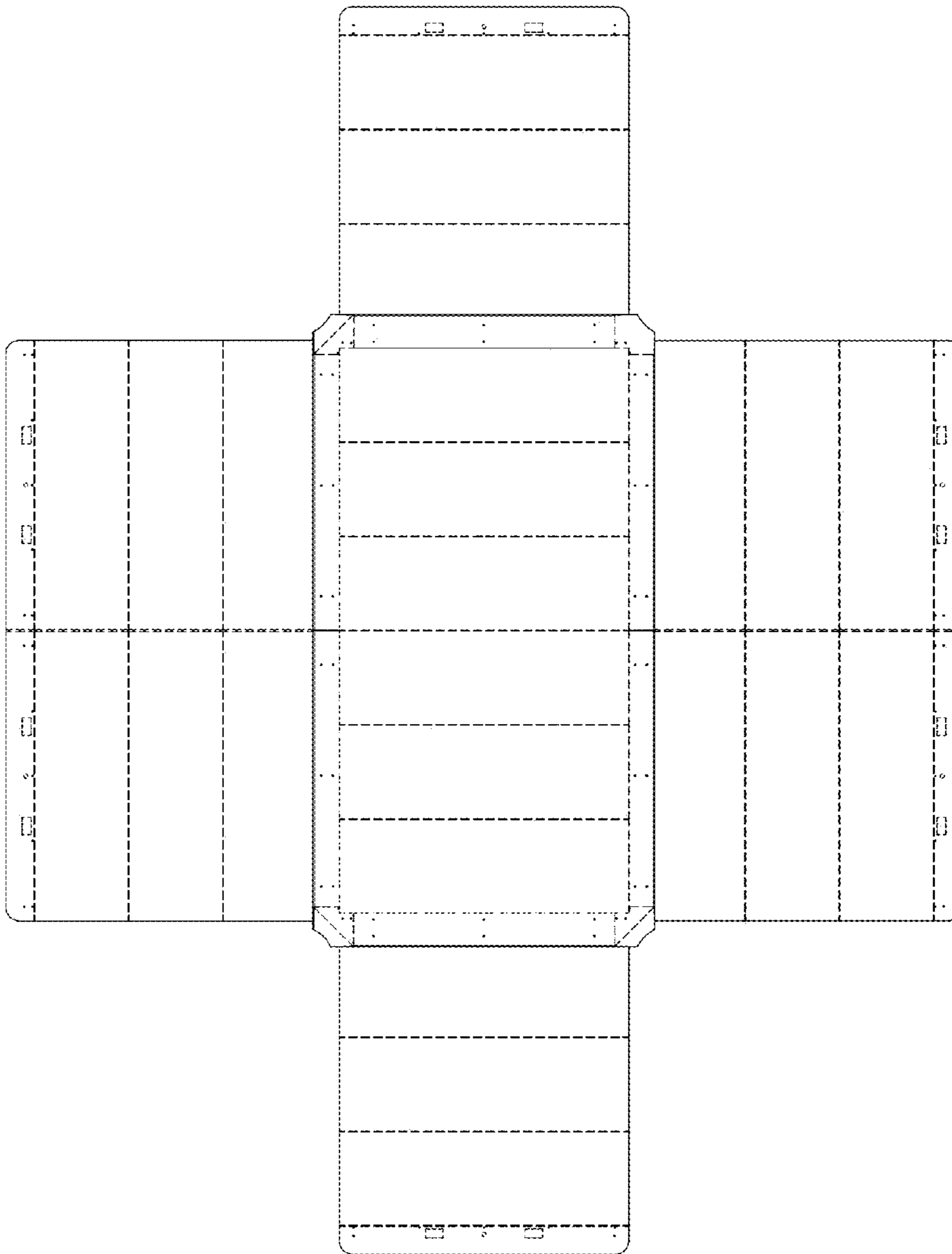


FIG. 25

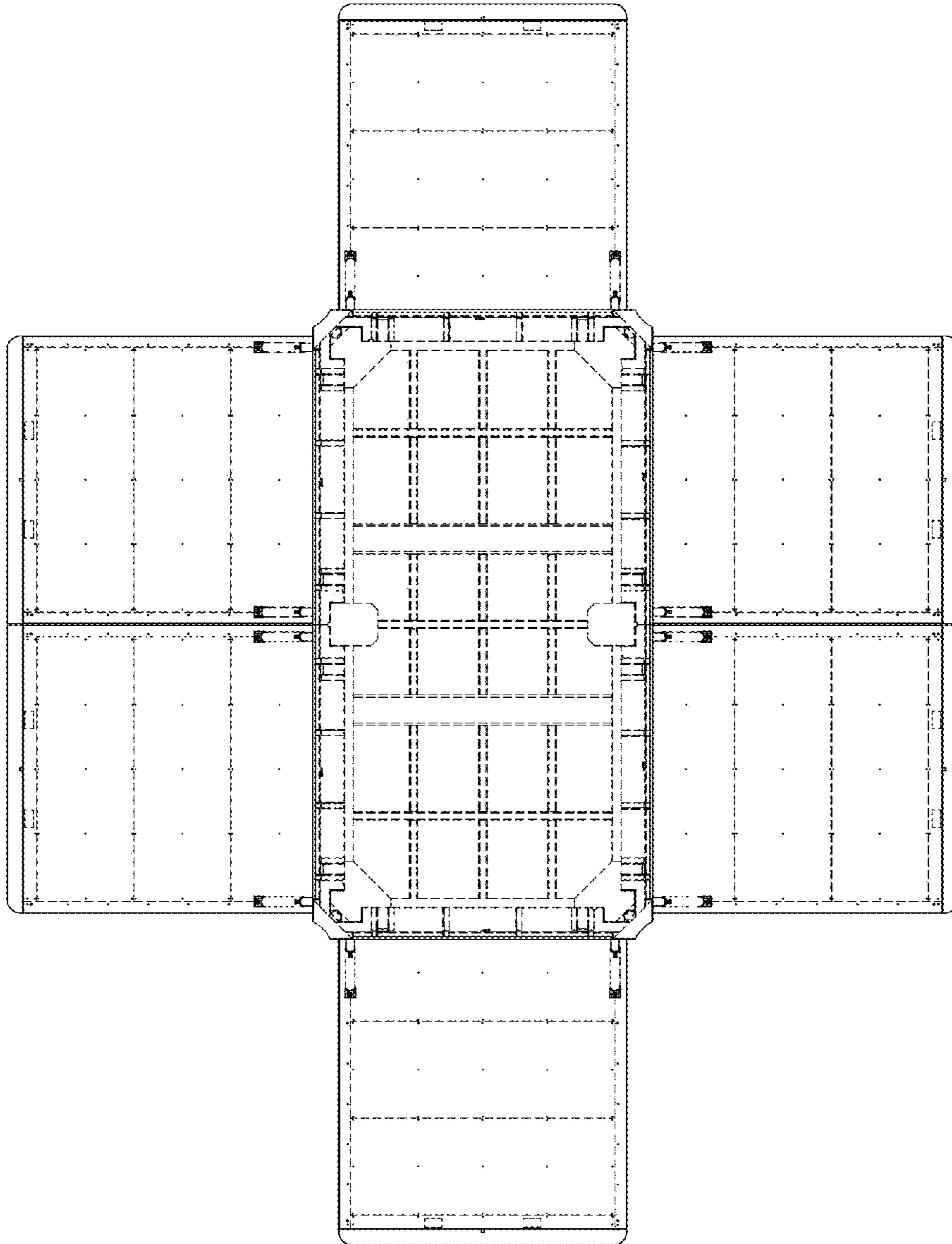


FIG. 26

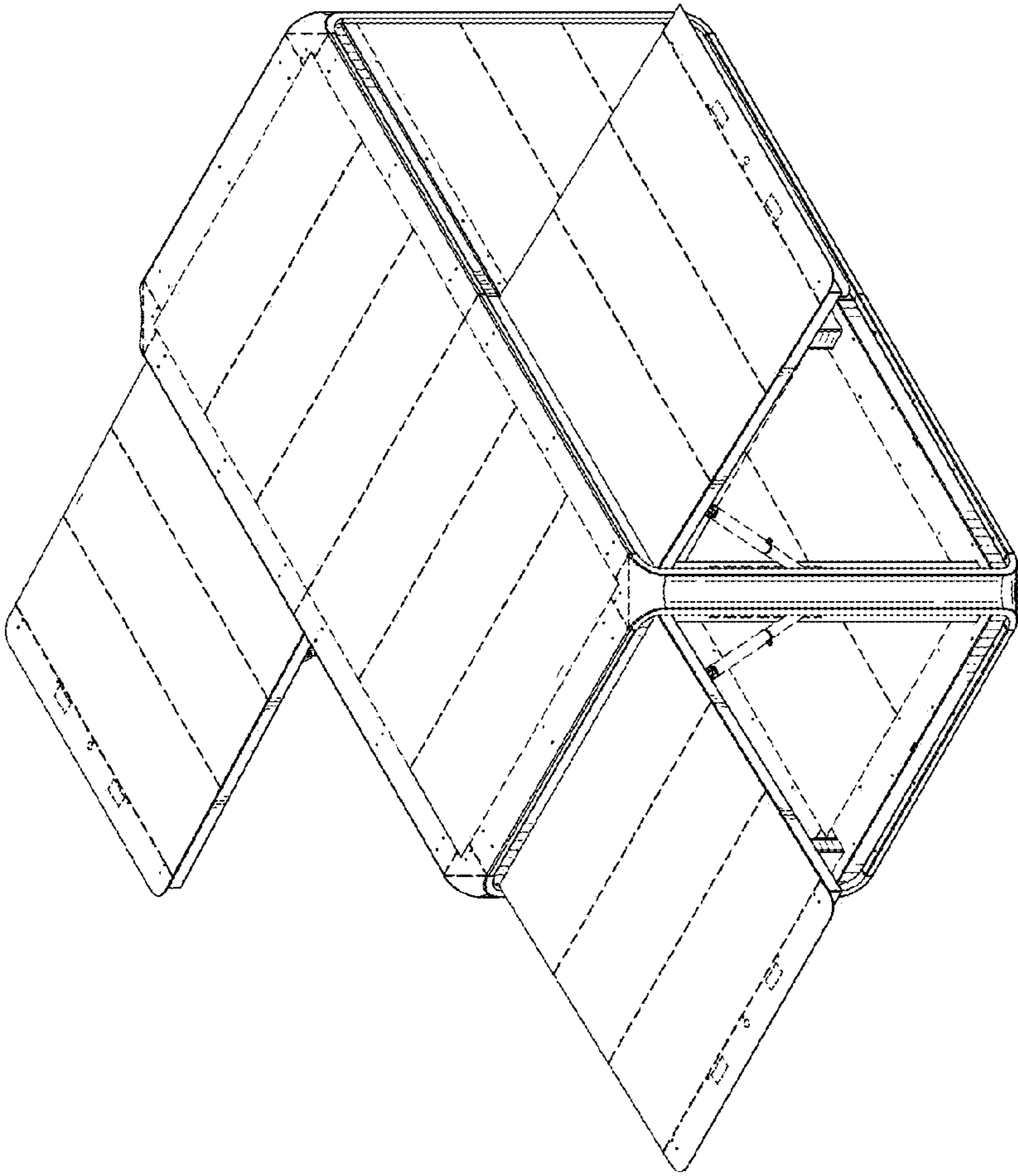


FIG. 27