



US00D763599S

(12) **United States Design Patent**
Vinson

(10) **Patent No.:** **US D763,599 S**
(45) **Date of Patent:** **** Aug. 16, 2016**

(54) **MAGNETIC GUN HOLDER**

(71) Applicant: **Wesley D. Vinson**, Paducah, KY (US)

(72) Inventor: **Wesley D. Vinson**, Paducah, KY (US)

(**) Term: **14 Years**

(21) Appl. No.: **29/496,970**

(22) Filed: **Jul. 18, 2014**

(51) **LOC (10) Cl.** **06-04**

(52) **U.S. Cl.**
USPC **D6/552**

(58) **Field of Classification Search**
USPC D6/552; D22/109, 110; 42/99;
211/13.1, 60.1, 64; 248/206.5, 309.4,
248/467, 537, 683
CPC F41A 23/18; B60R 7/14
See application file for complete search history.

(56) **References Cited**

U.S. PATENT DOCUMENTS

2,910,804 A	11/1959	White	
3,266,633 A	8/1966	Graebnet	
D457,369 S *	5/2002	Fiscus	D6/552
D459,625 S *	7/2002	Zebbedies	D6/552
D643,658 S *	8/2011	Vining	D6/552
8,403,278 B1	3/2013	Kasbolm	
8,739,453 B1	6/2014	Conner	
D716,410 S *	10/2014	Wallgren	D22/109
2005/0218285 A1	10/2005	Yorns	

* cited by examiner

Primary Examiner — Wan Laymon
Assistant Examiner — Mark Booker

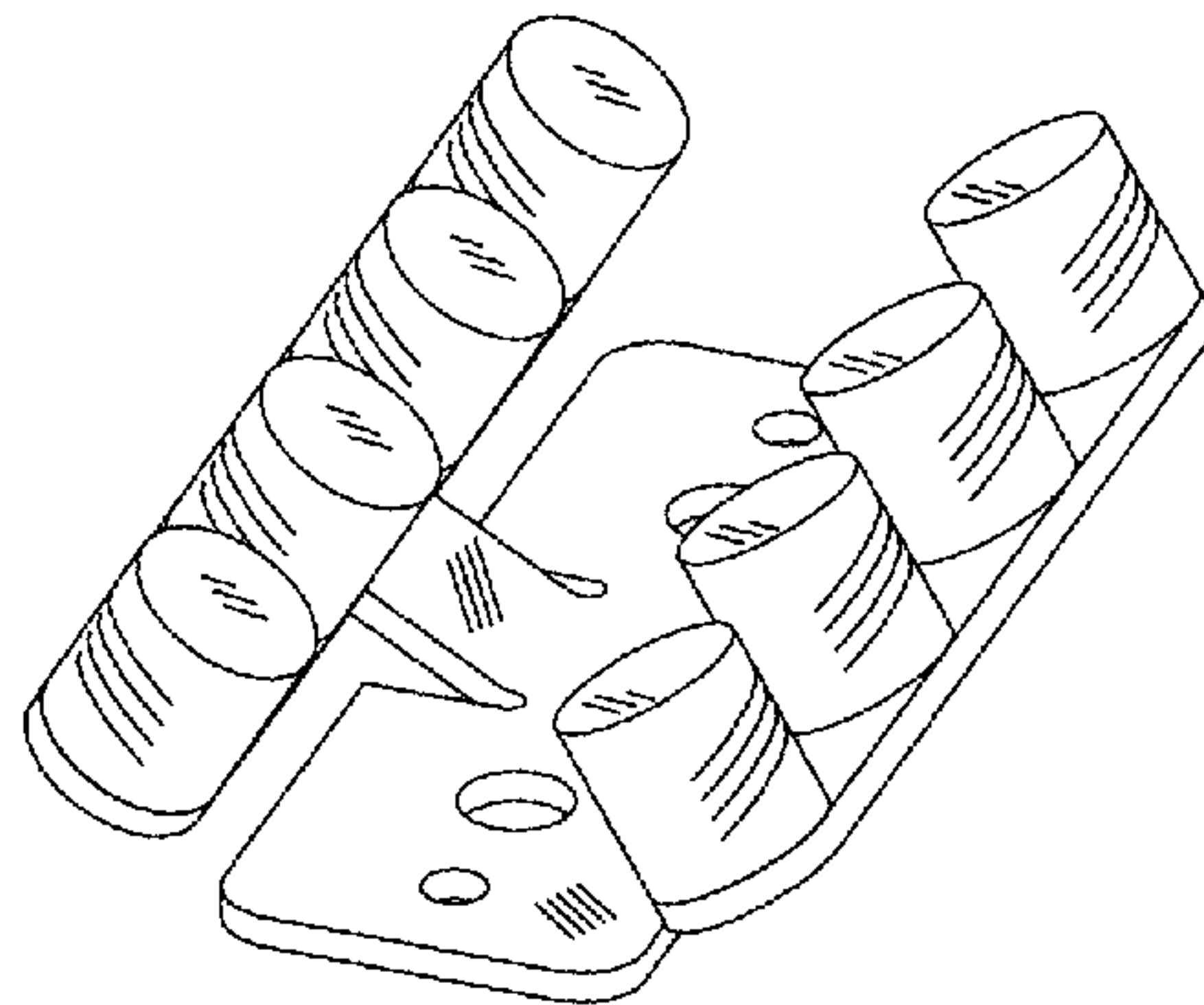
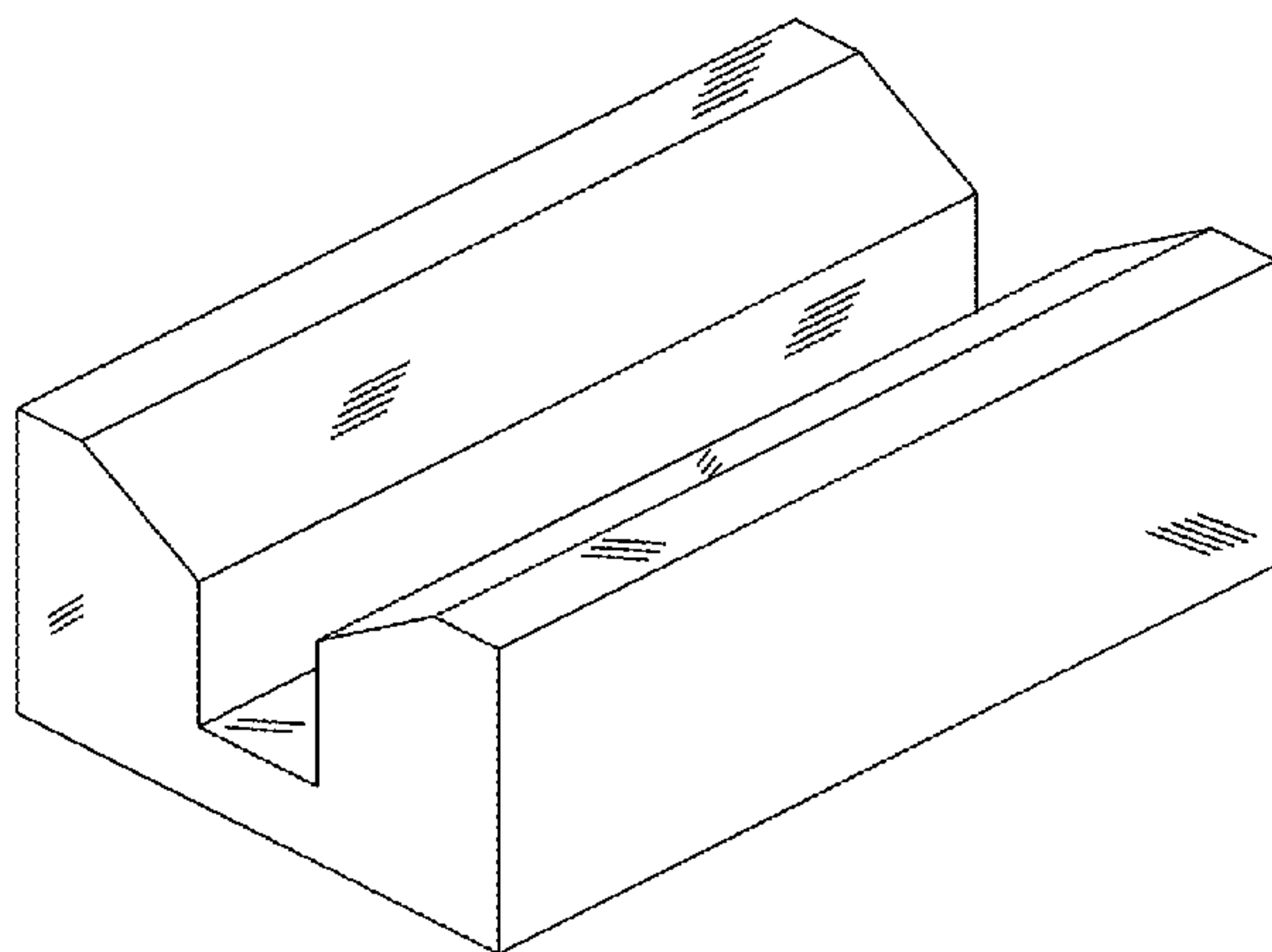
(57) **CLAIM**

I claim the ornamental design for a magnetic gun holder, as shown and described.

DESCRIPTION

FIG. 1 is a perspective view of the exterior of the magnetic gun holder.
 FIG. 2 is a top plan view of the exterior of the magnetic gun holder.
 FIG. 3 is a front elevational view of the exterior of the magnetic gun holder.
 FIG. 4 is a side elevational view of the exterior of the magnetic gun holder.
 FIG. 5 is a bottom plan view of the exterior of the magnetic gun holder.
 FIG. 6 is a perspective view of the interior part of the magnetic gun holder with the exterior removed for ease of illustration.
 FIG. 7 is a top plan view of the interior part of the magnetic gun holder.
 FIG. 8 is a front elevational view of the interior part of the magnetic gun holder.
 FIG. 9 is a side elevational view of the interior part of the magnetic gun holder; and,
 FIG. 10 is a bottom plan view of the interior part of the magnetic gun holder.
 The broken line showing in the figures is included for the purpose of illustrating portions of the magnetic gun holder and forms no part of the claimed design.

1 Claim, 10 Drawing Sheets



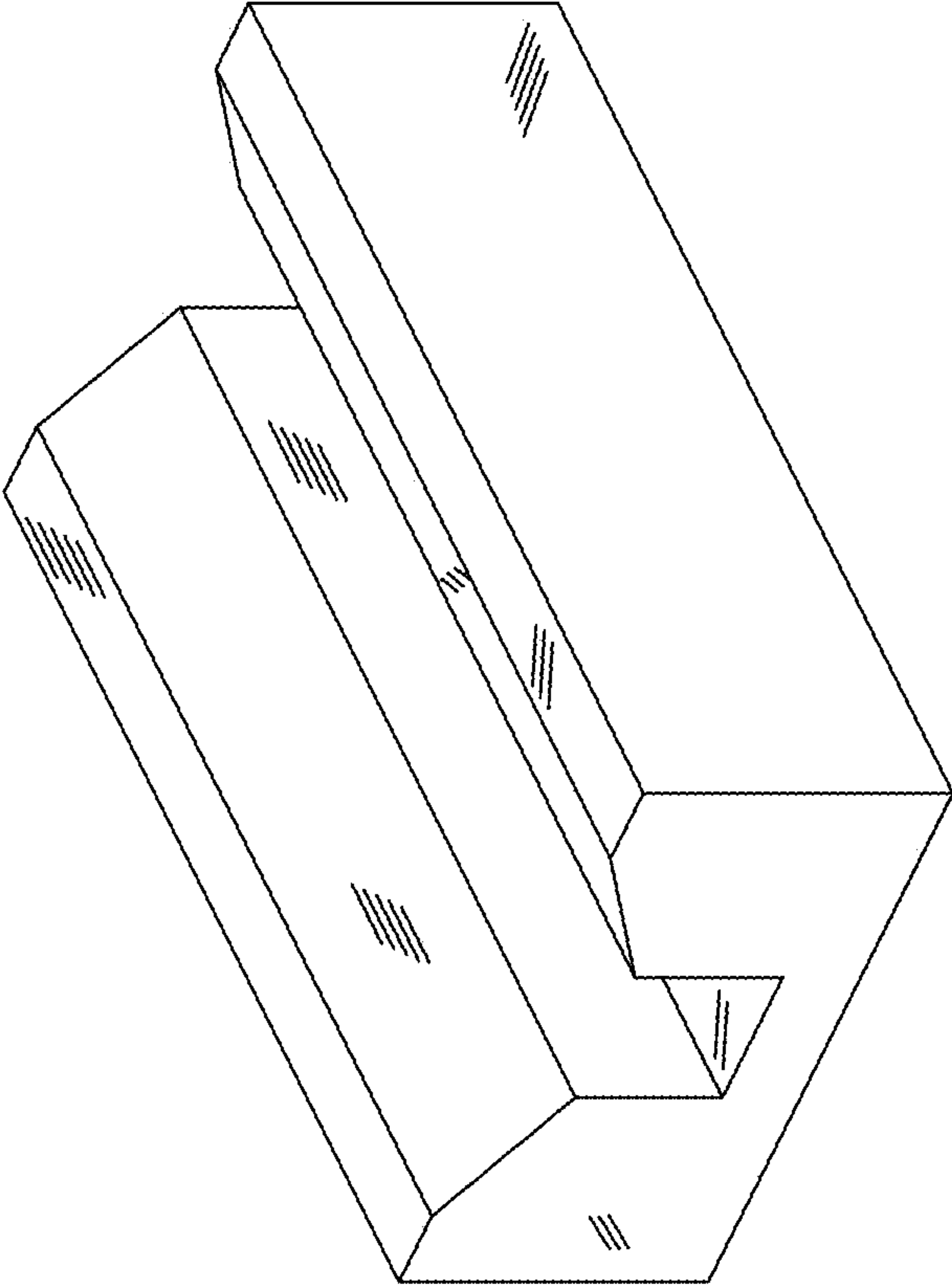


FIG. 1

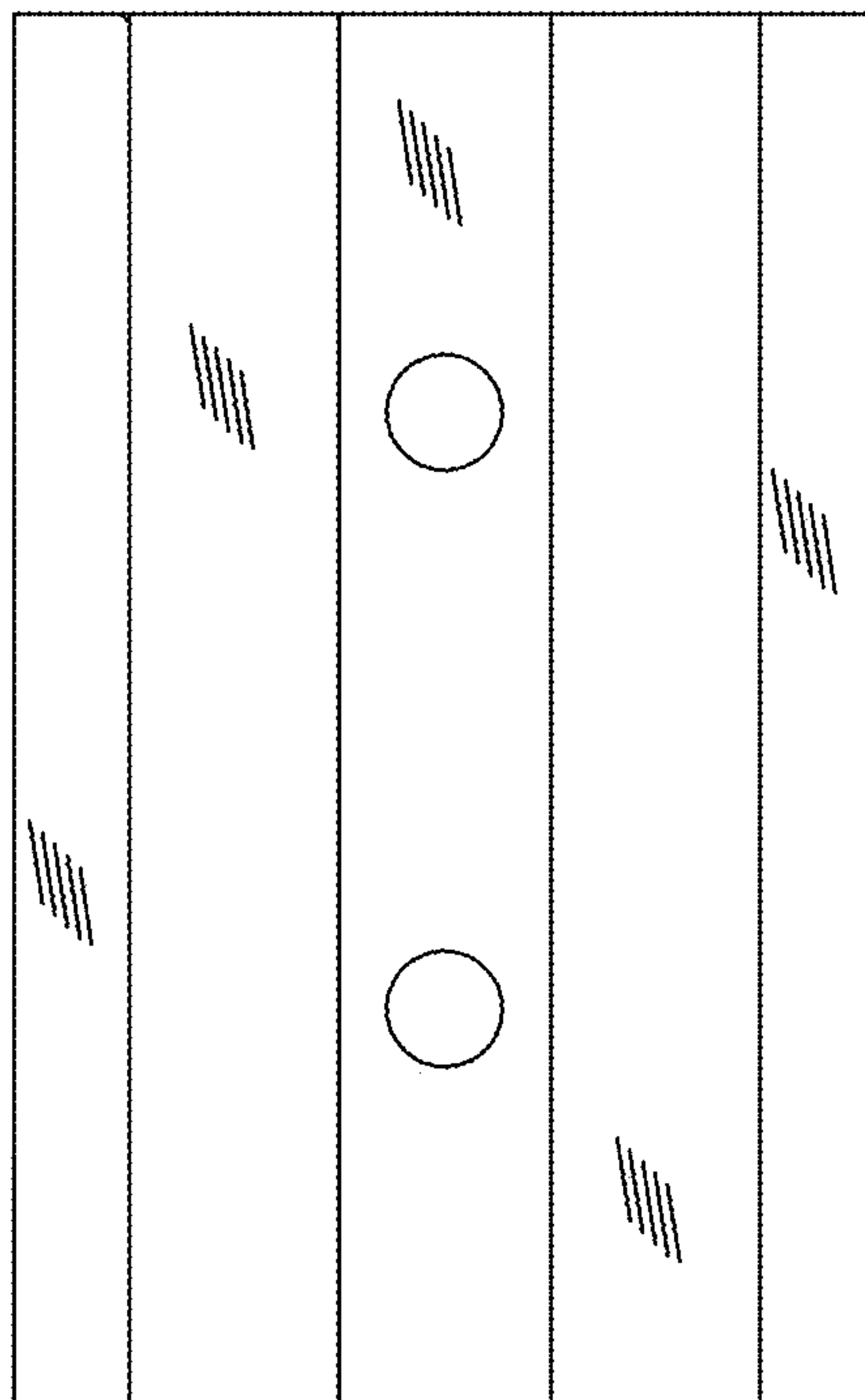


FIG. 2

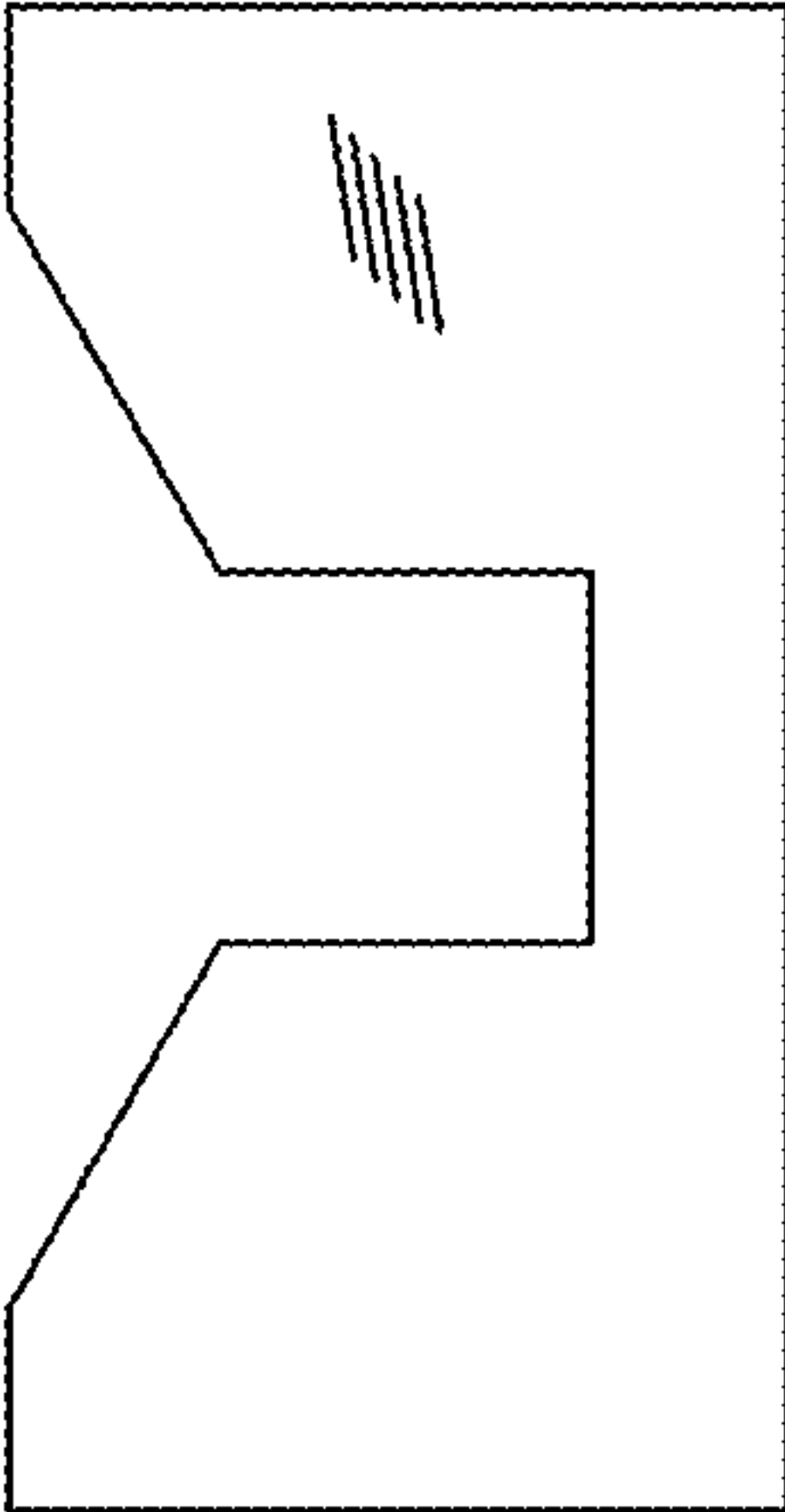


FIG. 3

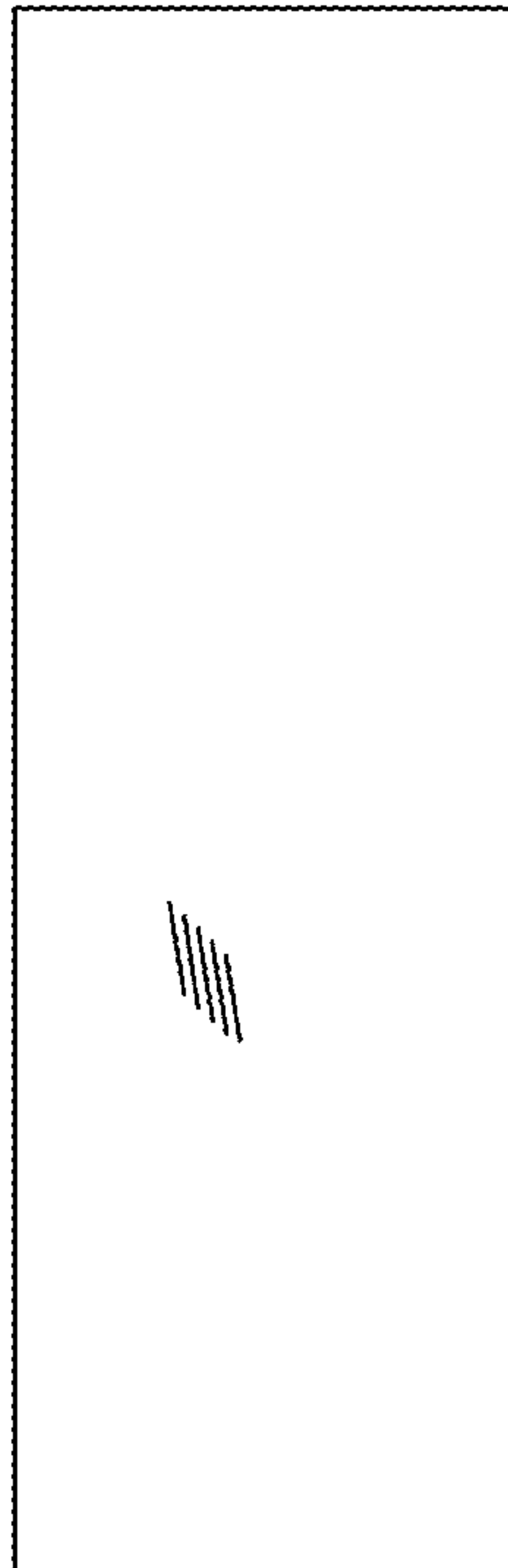


FIG. 4

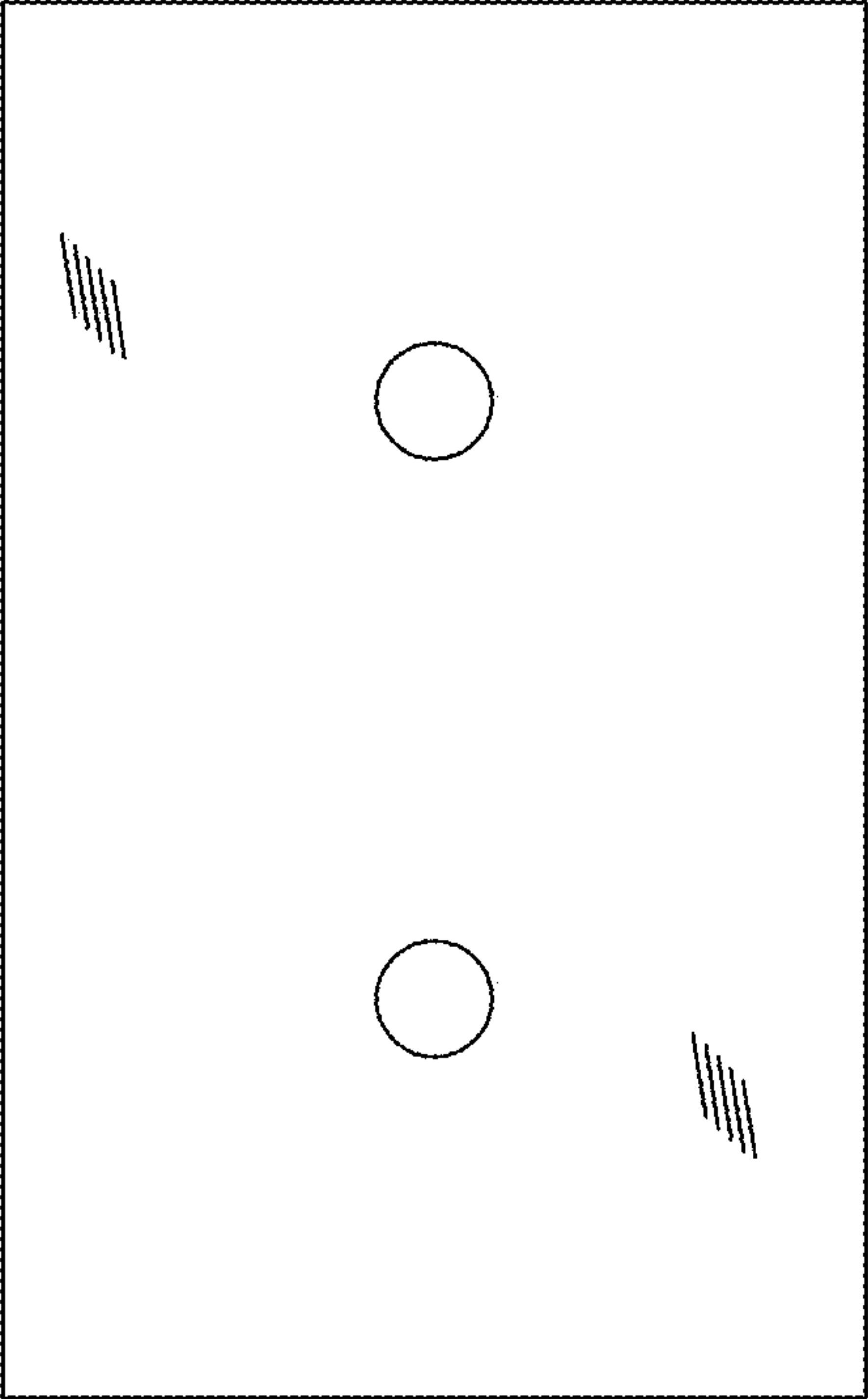


FIG. 5

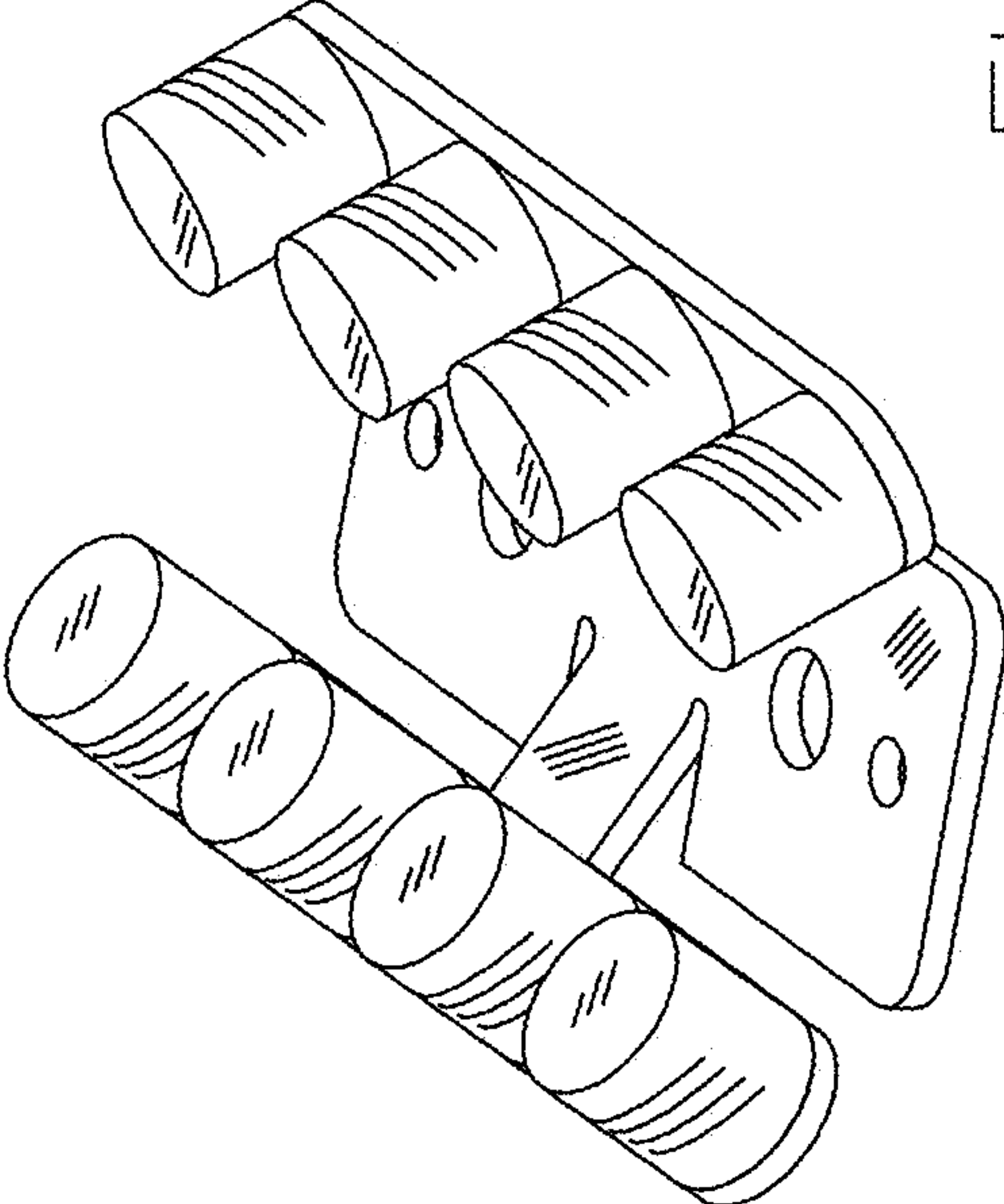


FIG. 6

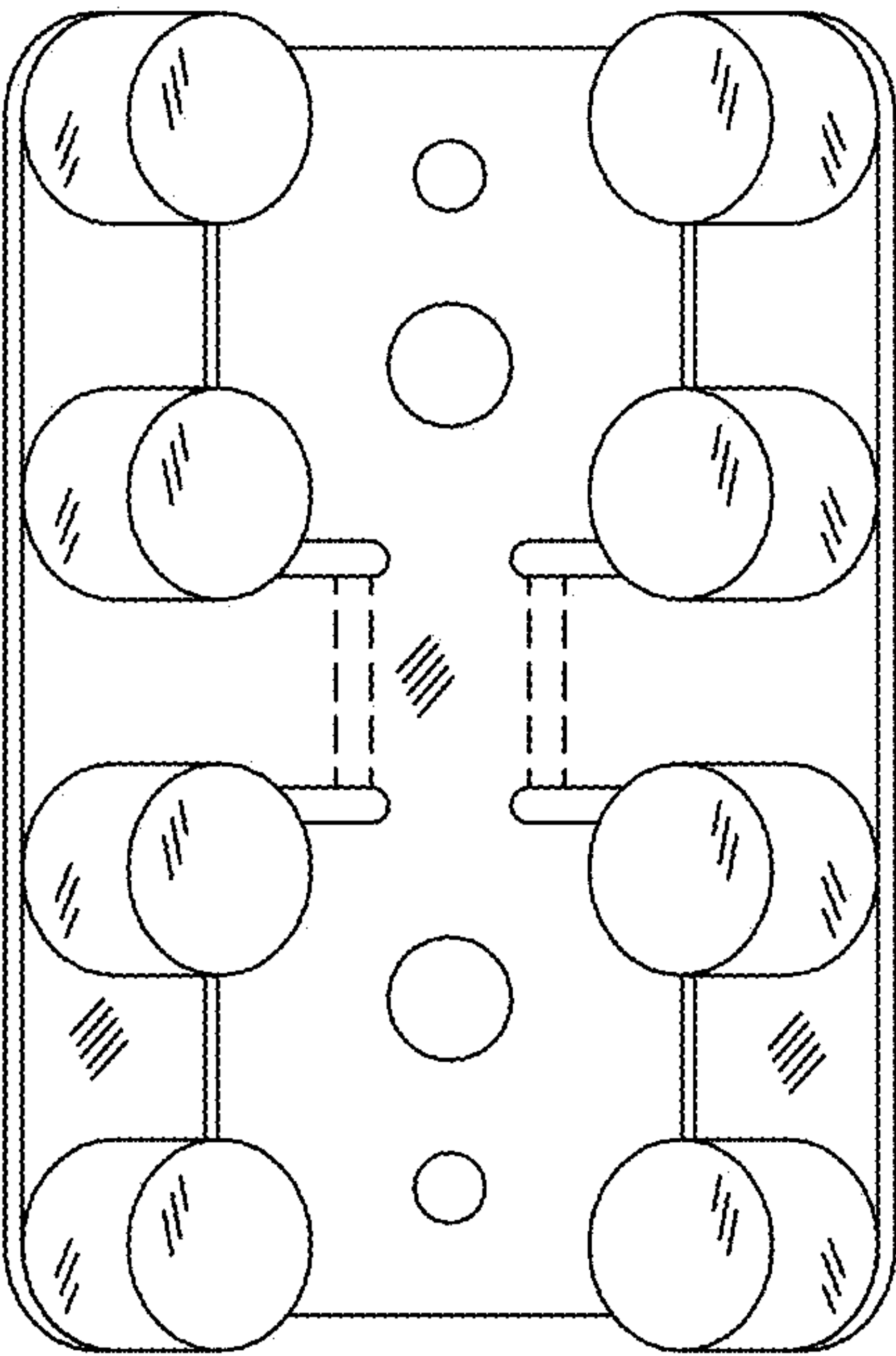


FIG. 7

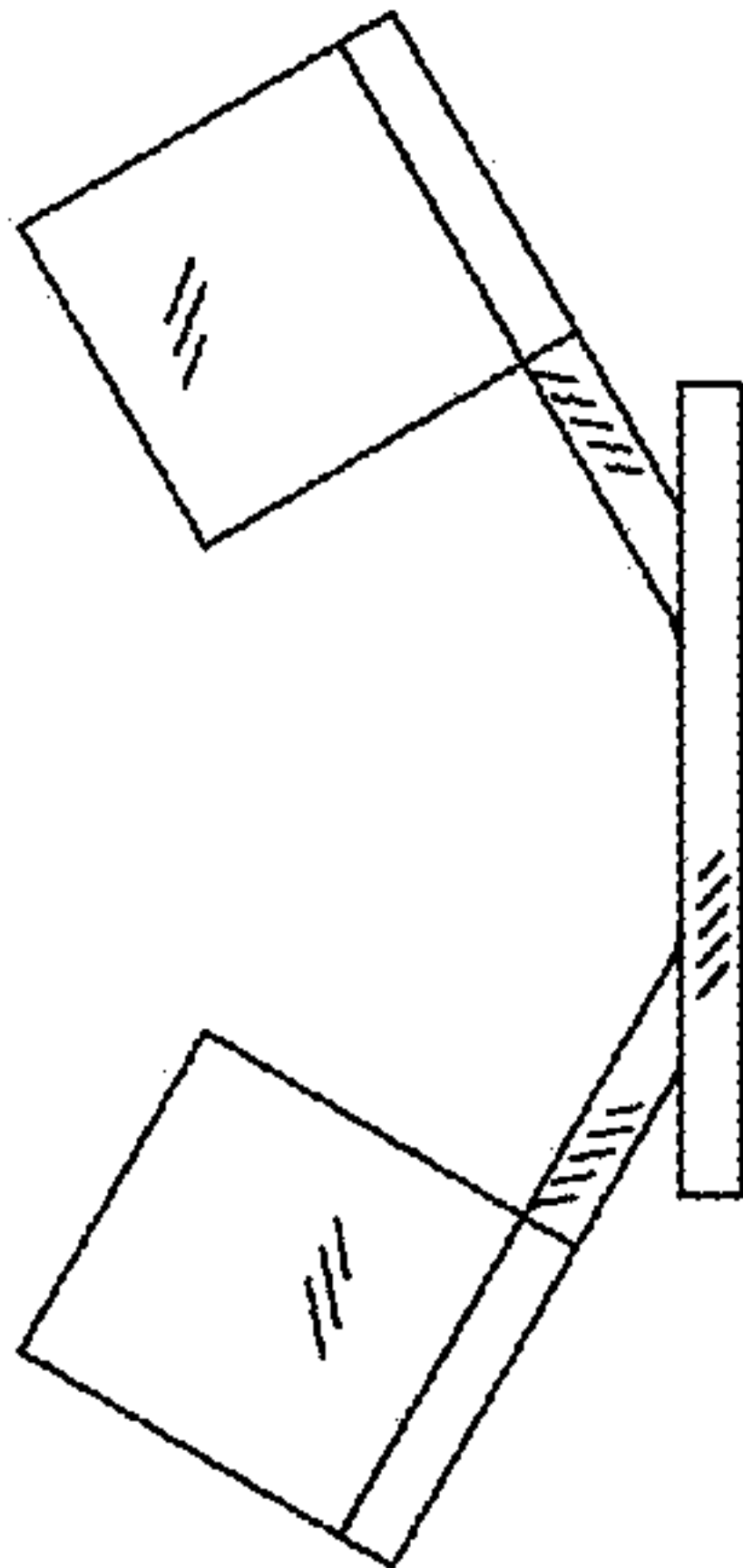


FIG. 8

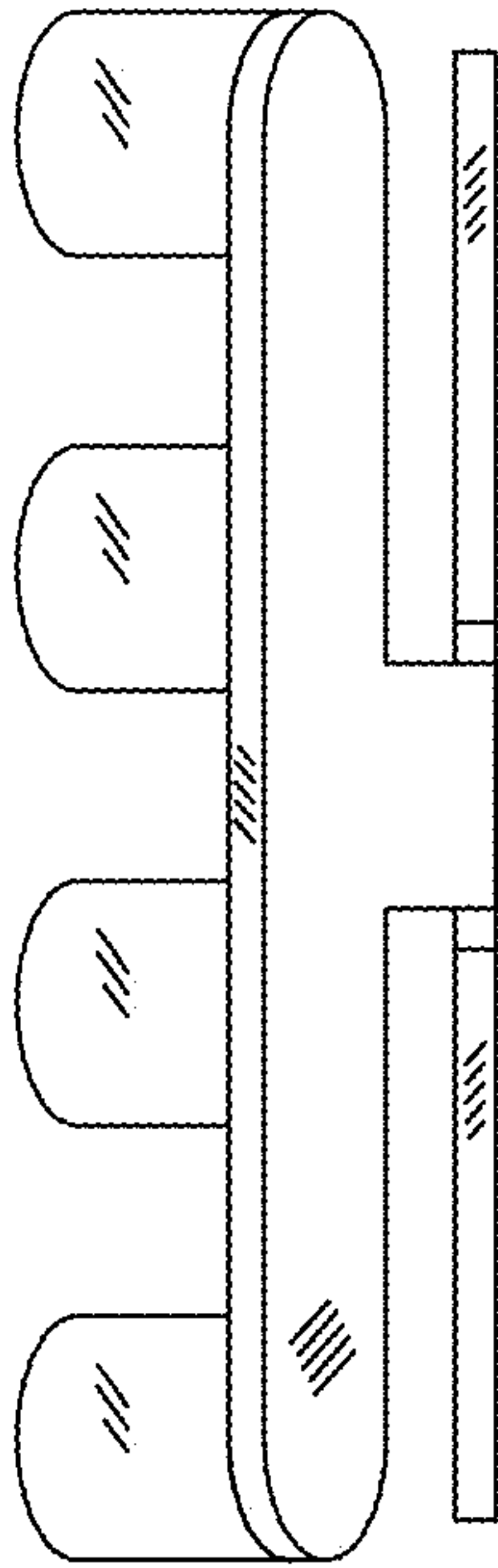


FIG. 9

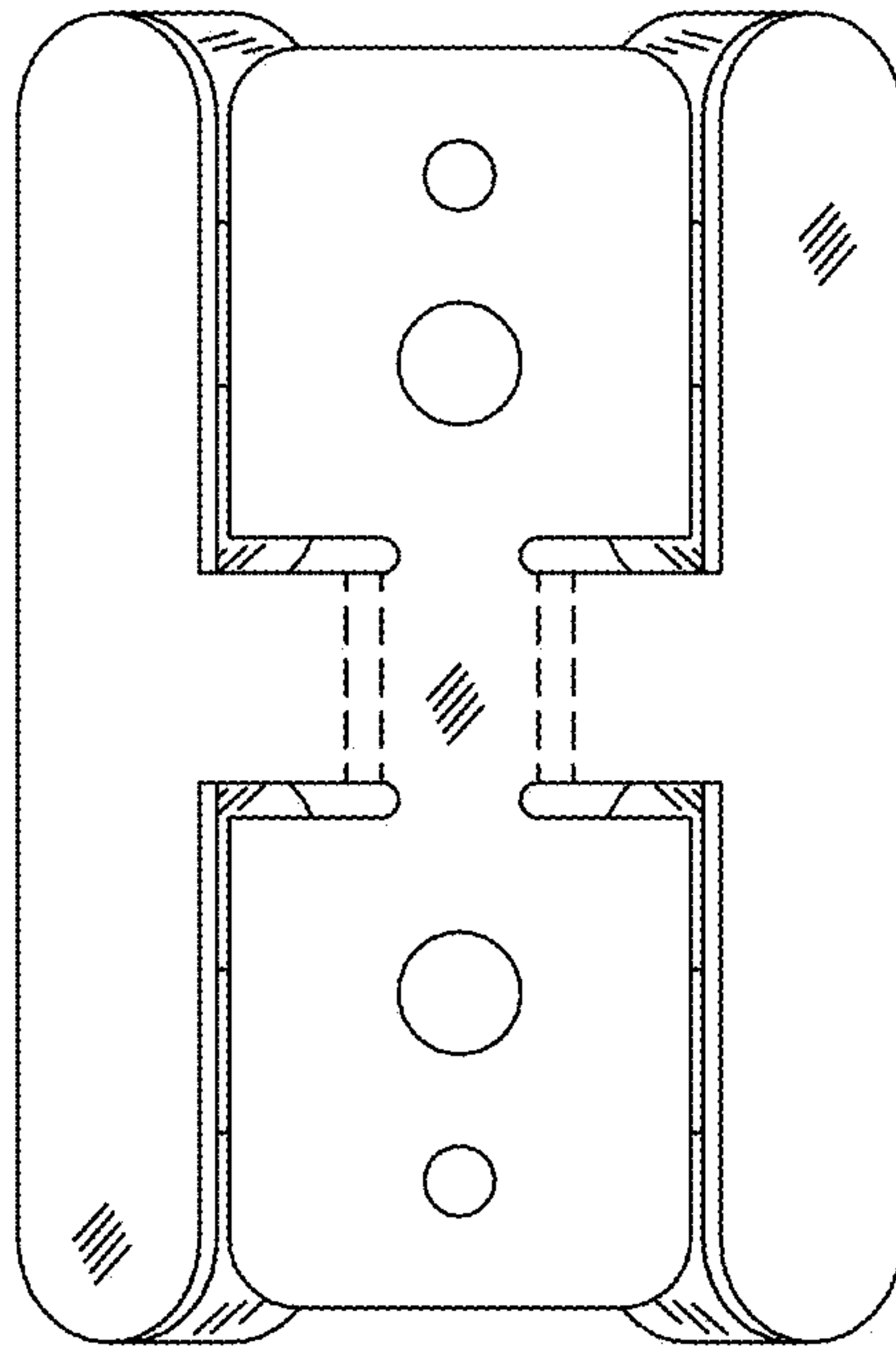


FIG. 10