



US00D763597S

(12) **United States Design Patent**
Citterio

(10) **Patent No.:** **US D763,597 S**

(45) **Date of Patent:** **** Aug. 16, 2016**

(54) **BATHROOM ACCESSORY HOLDER**

(71) Applicant: **Hansgrohe SE**, Schiltach (DE)

(72) Inventor: **Antonio Citterio**, Milan (IT)

(73) Assignee: **Hansgrohe SE**, Schiltach (DE)

(**) Term: **14 Years**

(21) Appl. No.: **29/506,936**

(22) Filed: **Oct. 22, 2014**

(30) **Foreign Application Priority Data**

Apr. 25, 2014 (EM) 002453043-0003

(51) **LOC (10) Cl.** **23-02**

(52) **U.S. Cl.**
USPC **D6/525**

(58) **Field of Classification Search**

USPC D6/525, 512, 524, 552, 567, 304, 314;
206/77.1, 207, 581, 349, 557, 823,
206/13.1, 86.01, 87.01, 119.09, 134, 126,
206/106

CPC A47K 1/09; A47K 3/281; A47K 10/16;
A47K 2201/00; A47K 5/05; A47K 5/18

See application file for complete search history.

(56) **References Cited**

U.S. PATENT DOCUMENTS

D287,321 S * 12/1986 Bussell D6/536
D338,793 S * 8/1993 Primeau D6/524
D347,512 S * 5/1994 Yoshikawa D3/304
5,375,734 A * 12/1994 Tiramani A45C 13/04
206/581
6,082,573 A * 7/2000 Hofman A47K 3/281
220/480
D450,926 S * 11/2001 Dickinson D3/304
D481,894 S * 11/2003 Hunt D6/525
D483,587 S * 12/2003 Snell D6/525
D496,272 S * 9/2004 Jackson D7/602

D512,255 S * 12/2005 Snell D6/567
7,246,709 B2 * 7/2007 Kim A47K 1/09
211/65
D577,913 S * 10/2008 Thompson D6/567
D599,596 S * 9/2009 Ghiorghie D6/536
D602,740 S 10/2009 Urquiola
D612,180 S * 3/2010 Mayer D6/524
D612,181 S * 3/2010 Tanguay D6/524
D636,200 S * 4/2011 Yang D6/536
D679,528 S * 4/2013 Gilboe D6/525
D679,529 S * 4/2013 Gilboe D6/525
D702,457 S * 4/2014 Williams D6/524
D706,549 S * 6/2014 Cho D6/524
D710,059 S * 7/2014 Risser D30/121
2004/0262317 A1 * 12/2004 Ando A47G 19/2205
220/500

(Continued)

FOREIGN PATENT DOCUMENTS

EM 000449194-0005 12/2005
EM 002051797-0002 6/2012
EM 002051797-0006 6/2012

Primary Examiner — Wan Laymon

Assistant Examiner — Mark Booker

(74) *Attorney, Agent, or Firm* — Lora J. Graentzdoerffer

(57) **CLAIM**

The ornamental design for a bathroom accessory holder, as shown and described.

DESCRIPTION

FIG. 1 is a perspective view of a bathroom accessory holder showing my design;

FIG. 2 is a front elevation view;

FIG. 3 is a rear elevation view;

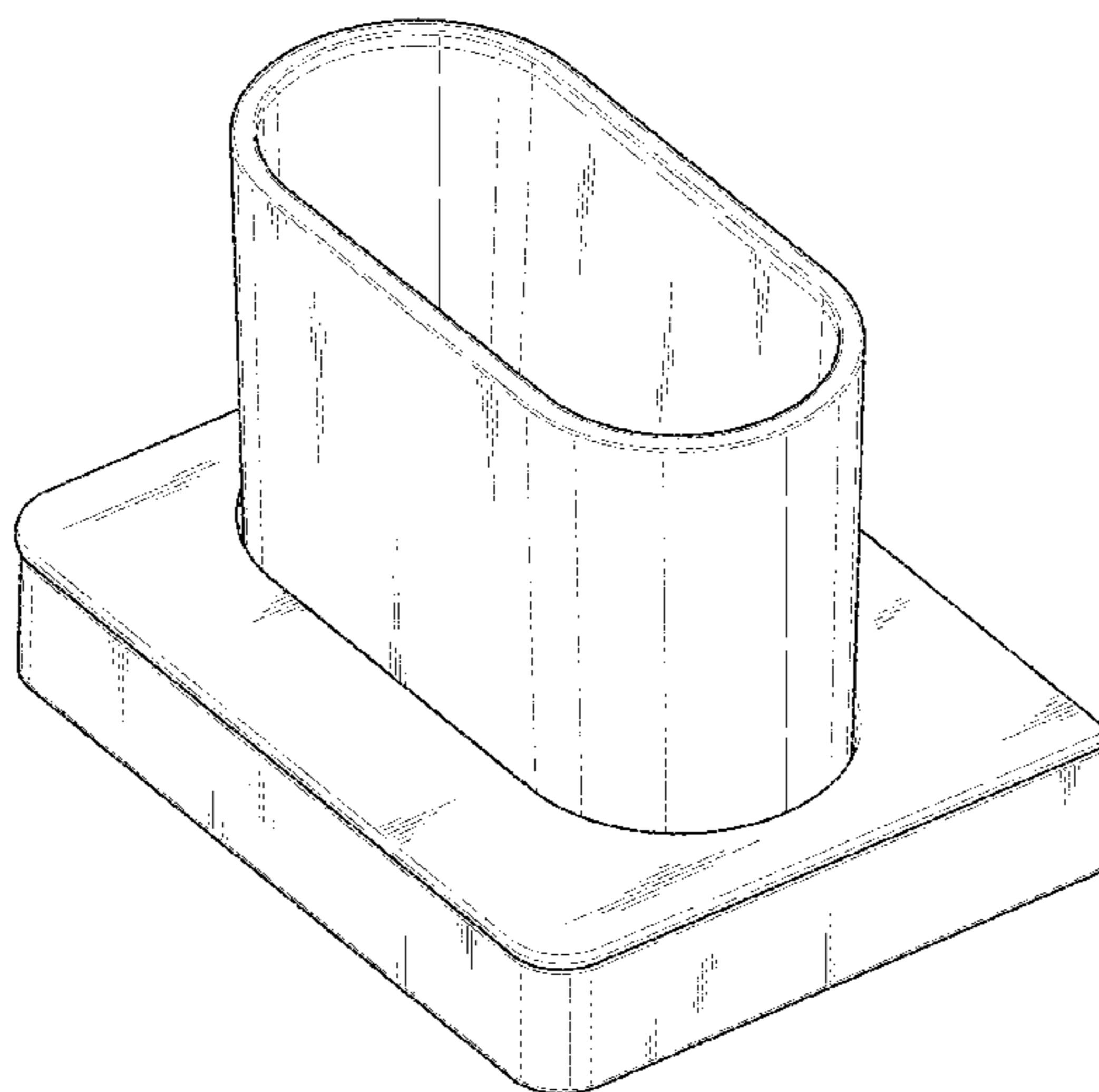
FIG. 4 is a left side elevation view; wherein the right side elevation view is a mirror image thereof;

FIG. 5 is a top plan view; and,

FIG. 6 is a bottom plan view.

The broken lines indicate portions of the bathroom accessory holder that form no part of the claimed design.

1 Claim, 6 Drawing Sheets



US D763,597 S

Page 2

(56)

References Cited

U.S. PATENT DOCUMENTS

2010/0301723 A1*	12/2010	Seo	F25D 25/04 312/408
2014/0166829 A1*	6/2014	Thompson	A47K 5/02 248/201
2010/0187138 A1*	7/2010	Hecker	A47K 1/09 206/209.1

* cited by examiner

FIG. 1

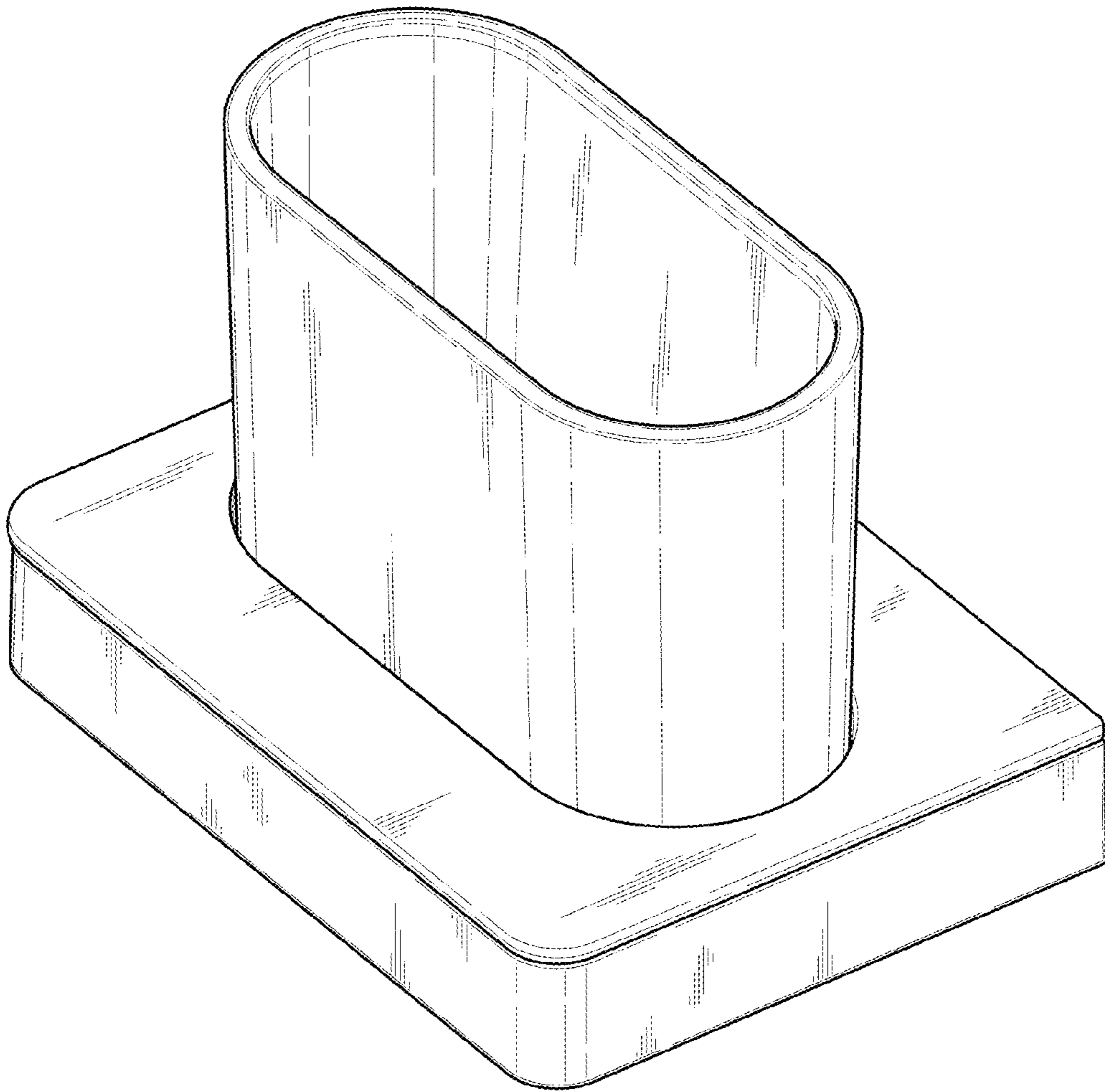


FIG. 2

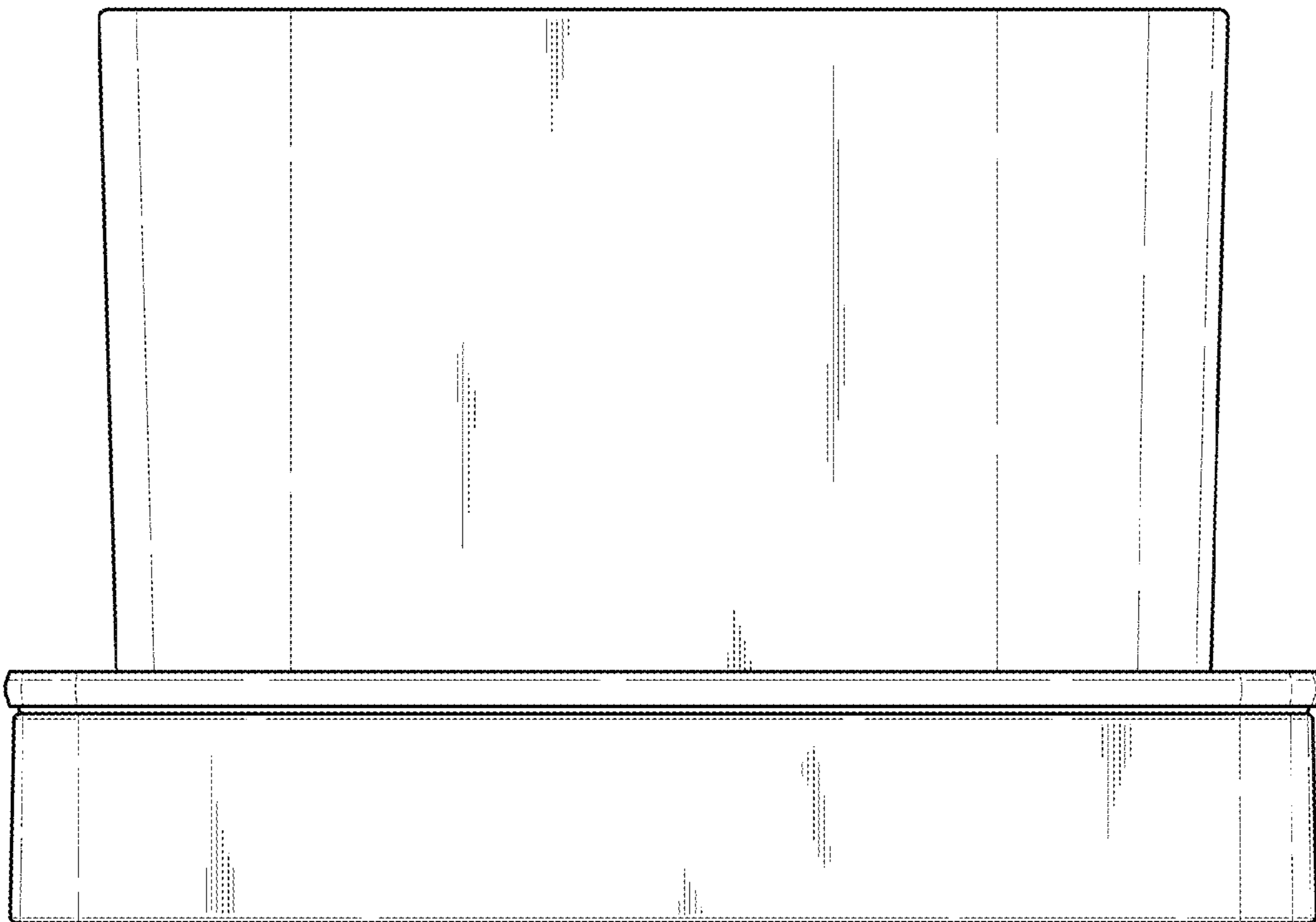


FIG. 3

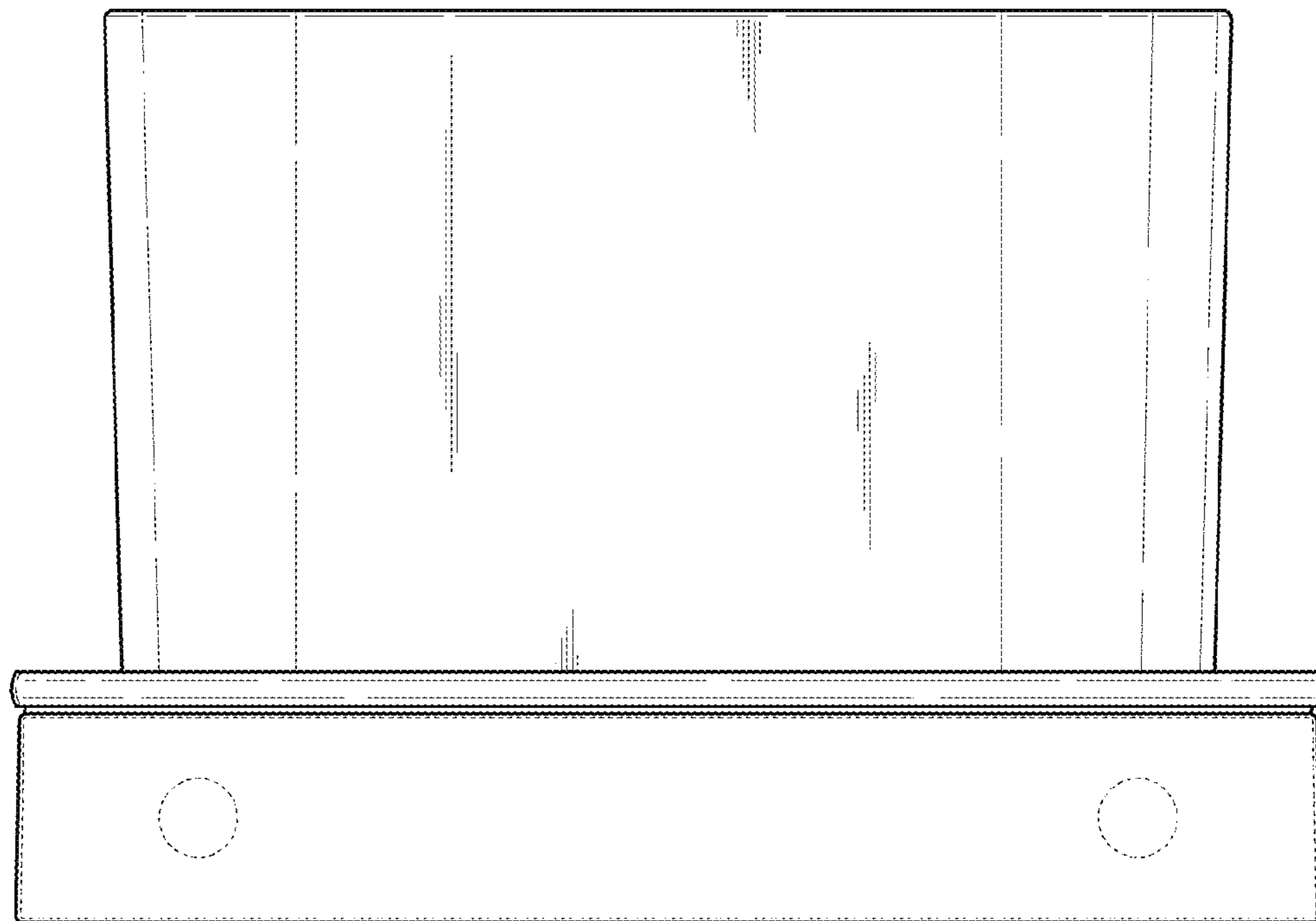


FIG. 4

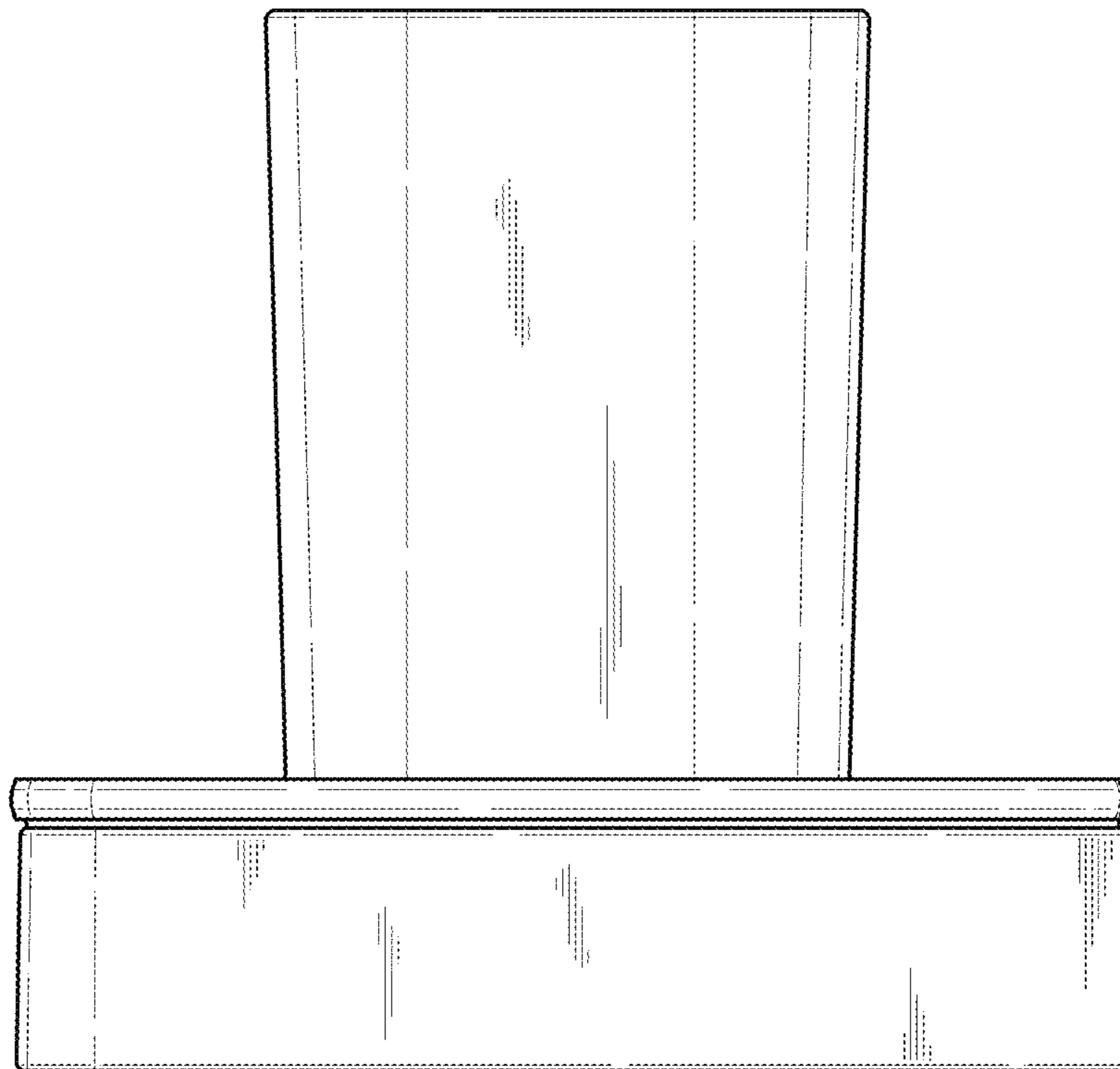


FIG. 5

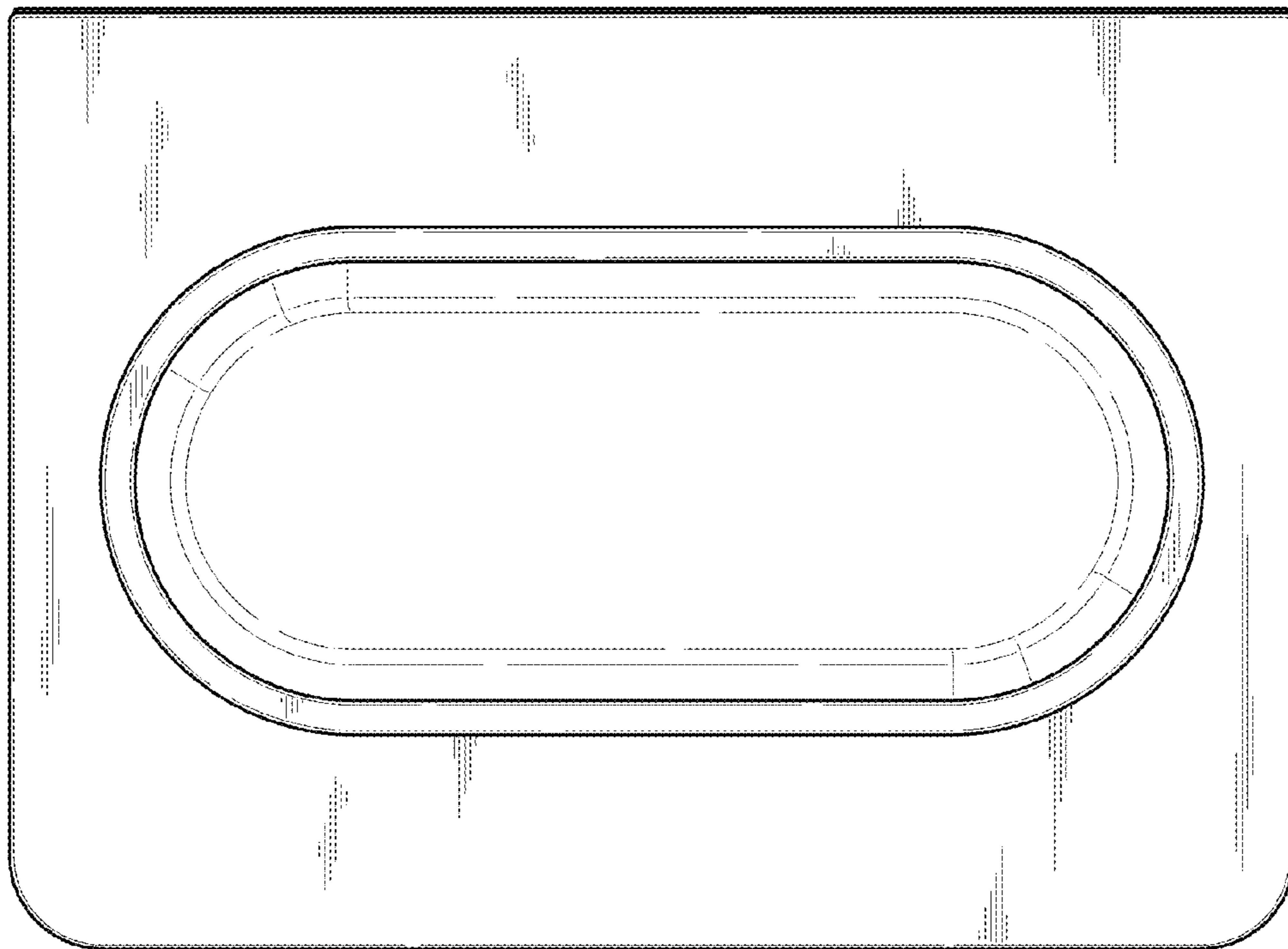


FIG. 6

