

US00D763588S

(12) **United States Design Patent**
Chen et al.

(10) **Patent No.:** **US D763,588 S**
(45) **Date of Patent:** **** Aug. 16, 2016**

- (54) **CHAIR**
- (71) Applicants: **Michael Chen**, Baldwin Park, CA (US);
Adam Miller, Los Angeles, CA (US)
- (72) Inventors: **Michael Chen**, Baldwin Park, CA (US);
Adam Miller, Los Angeles, CA (US)
- (73) Assignees: **Michael Chen**, Baldwin Park, CA (US);
Wen Wei, Baldwin Park, CA (US); **Billy**
Chen, Baldwin Park, CA (US)

6,938,956 B1 * 9/2005 Piretti A47C 7/405
297/284.7
7,396,082 B2 * 7/2008 Sanchez A47C 7/405
297/284.4
D577,229 S * 9/2008 Haaksma D6/366
D577,230 S * 9/2008 Haaksma D6/366
7,427,107 B2 * 9/2008 Yang A47C 7/405
297/291
D577,933 S * 10/2008 Haaksma D6/366
D673,398 S * 1/2013 Opsvik D6/716.4
D692,247 S * 10/2013 Opsvik D6/366

* cited by examiner

(**) Term: **14 Years**

Primary Examiner — Mimoso De

(21) Appl. No.: **29/525,646**

(74) *Attorney, Agent, or Firm* — Quickpatents, LLC; Kevin Prince

(22) Filed: **Apr. 30, 2015**

(51) **LOC (10) Cl.** **06-01**

(52) **U.S. Cl.**

USPC **D6/366**

(58) **Field of Classification Search**

USPC D6/334–336, 364, 365, 366, 374, 379,
D6/380, 716, 716.1, 716.2, 716.4

CPC A47C 7/004; A47C 7/022; A47C 7/40;
A47C 7/18; A47C 7/24; A47C 7/405

See application file for complete search history.

(56) **References Cited**

U.S. PATENT DOCUMENTS

D239,791 S * 5/1976 Alessandri D6/366
D254,038 S * 1/1980 Hosoe D6/366
D267,680 S * 1/1983 Leffler D6/366
D273,917 S * 5/1984 Pelly D6/366
D289,708 S * 5/1987 Rykken D6/335
D293,049 S * 12/1987 Opsvik D6/354
D320,120 S * 9/1991 Samuelsson D6/366
D320,705 S * 10/1991 Novotny D6/366

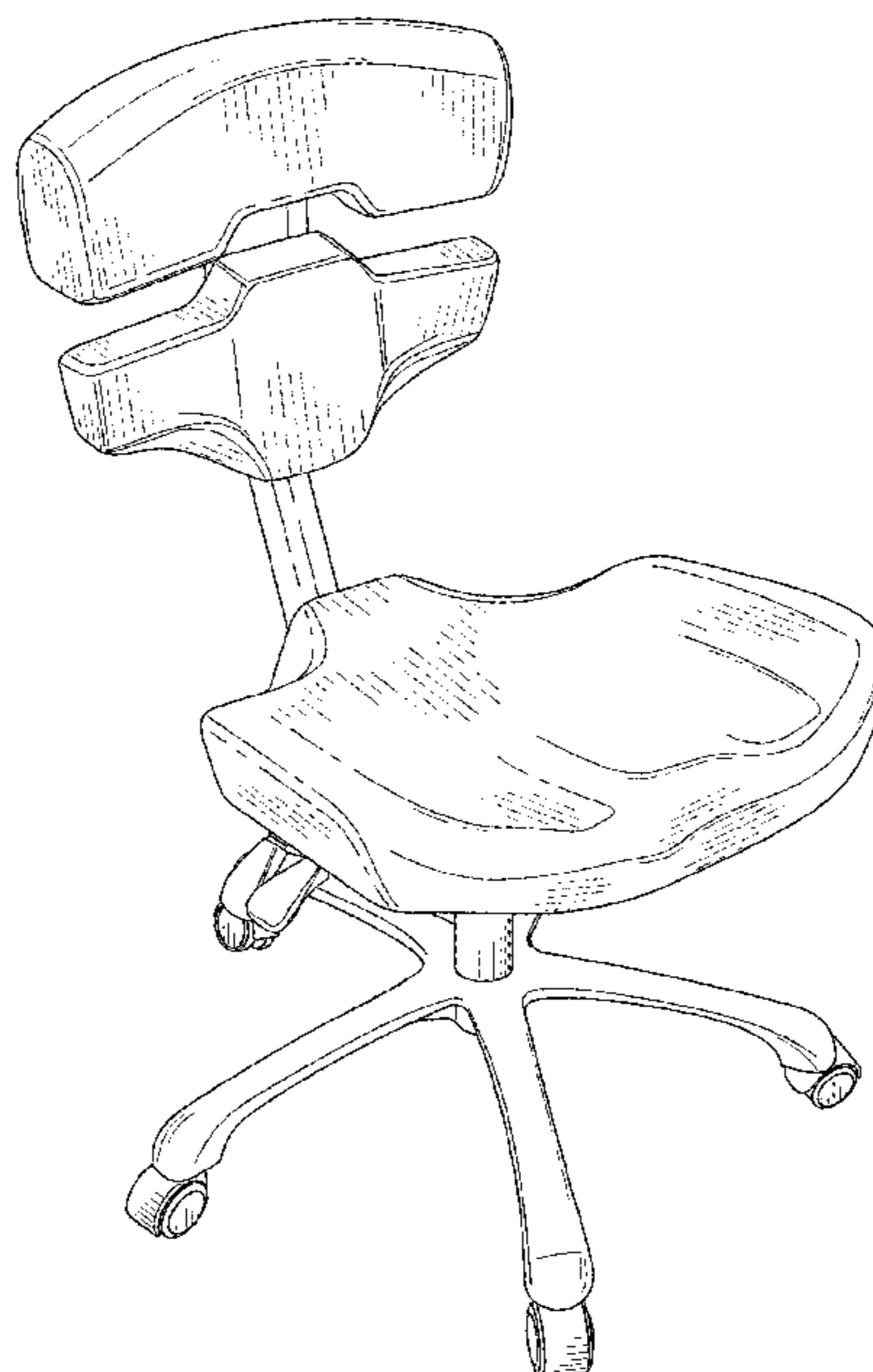
(57) **CLAIM**

We claim the ornamental design for a chair, as shown and described.

DESCRIPTION

FIG. 1 is a front perspective view of a chair, showing our new design with two backrest portions both in raised positions; FIG. 2 is a rear perspective view of FIG. 1; FIG. 3 is a rear perspective view thereof, illustrated with both backrest portions in lowered positions; FIG. 4 is a front elevational view of FIG. 1; FIG. 5 is a rear elevational view of FIG. 1; FIG. 6 is a left-side elevational view of FIG. 1; FIG. 7 is a right-side elevational view of FIG. 1; FIG. 8 is a top plan view of FIG. 1; and, FIG. 9 is a bottom plan view of FIG. 1. The broken lines in FIG. 9 illustrate portions of the chair that form no part of the claimed design.

1 Claim, 5 Drawing Sheets



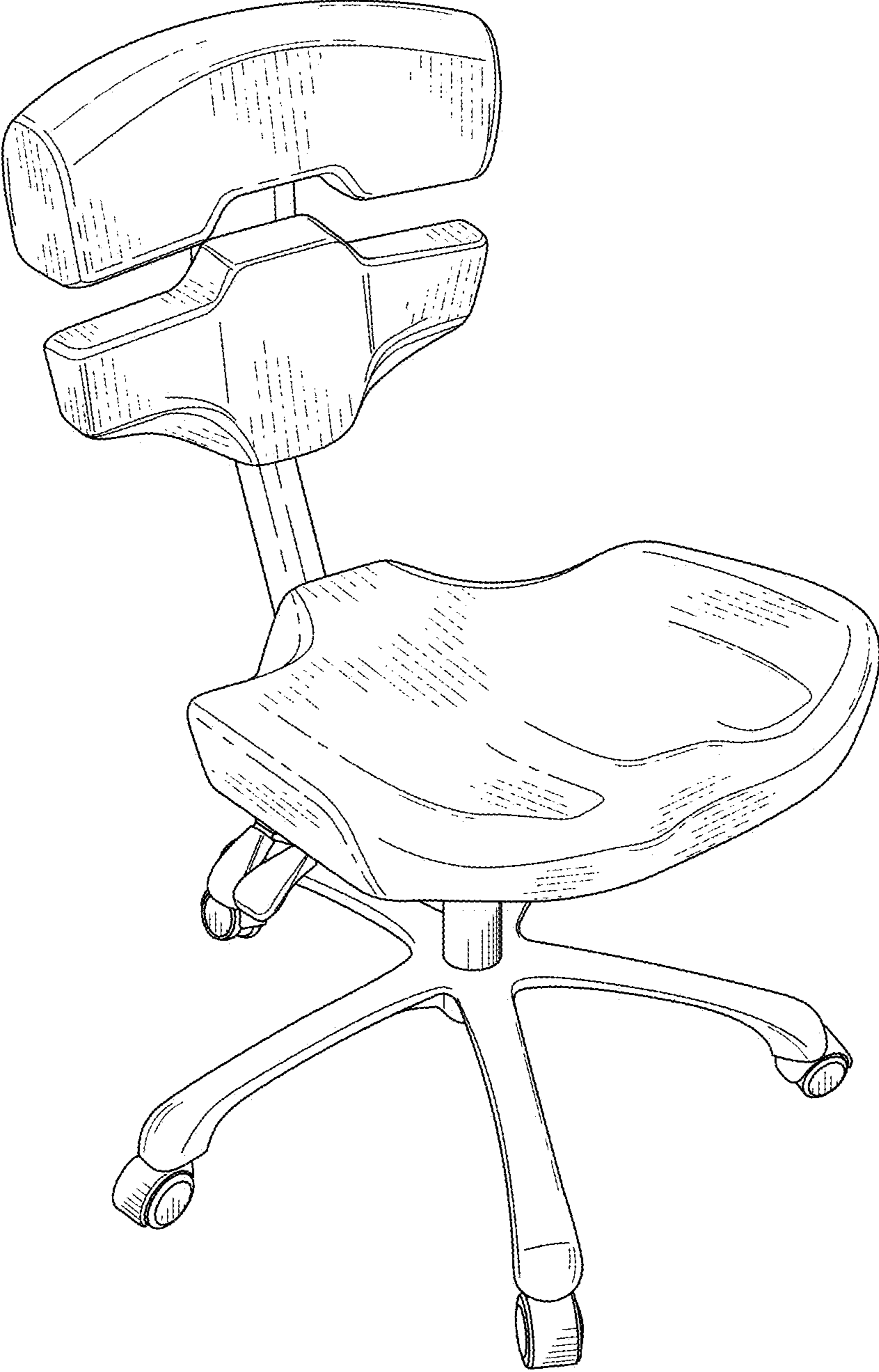


FIG. 1

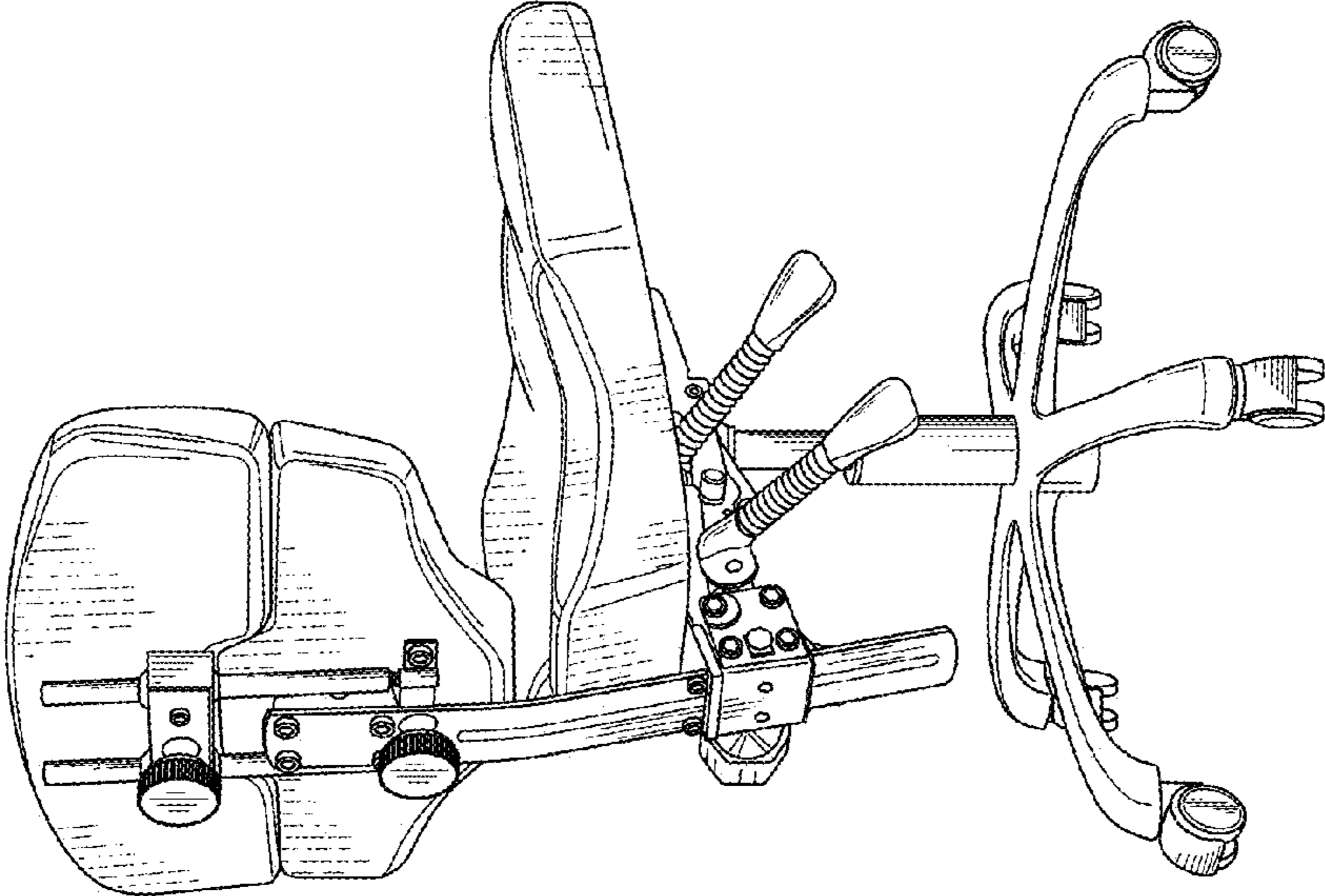


FIG. 3

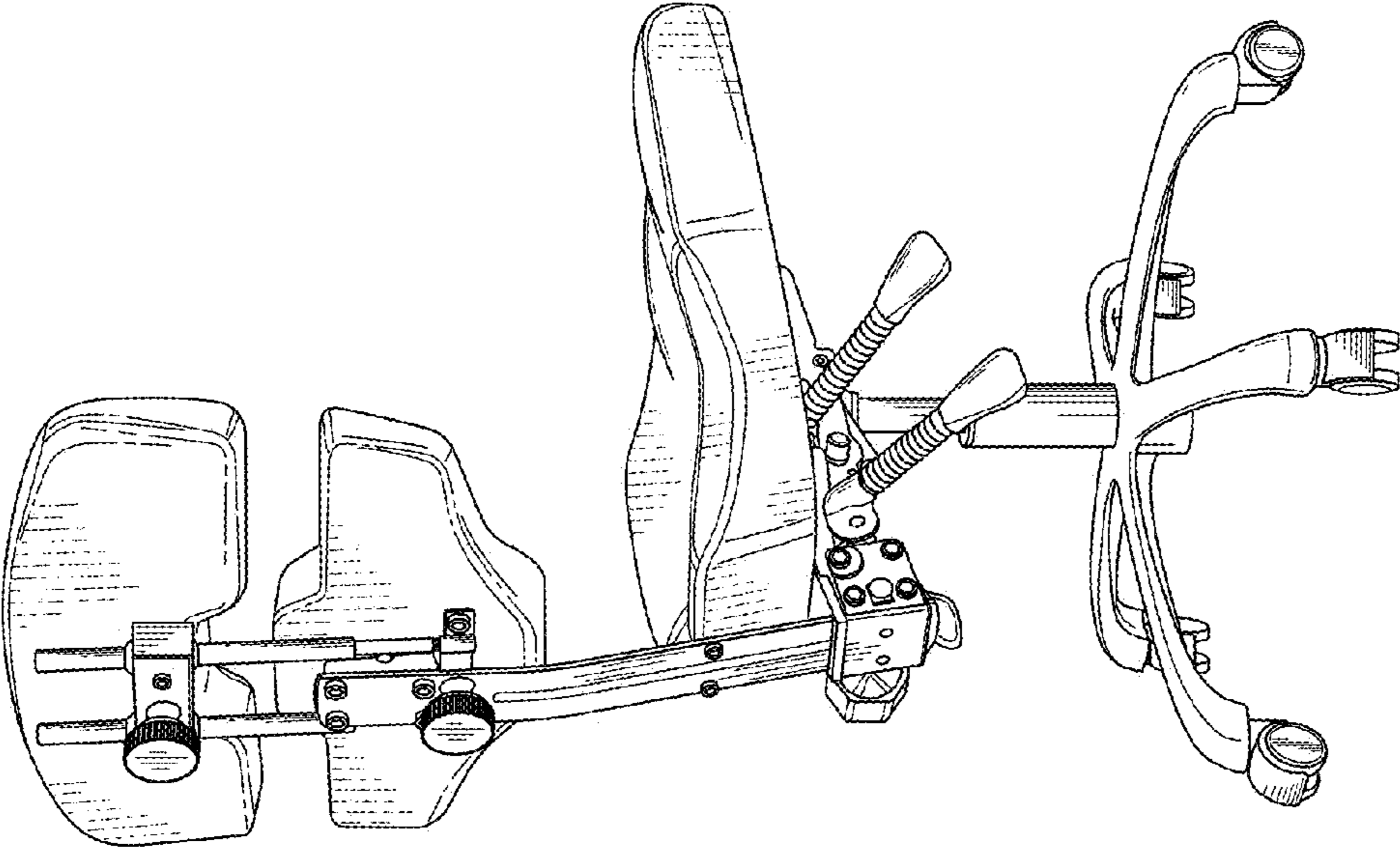


FIG. 2

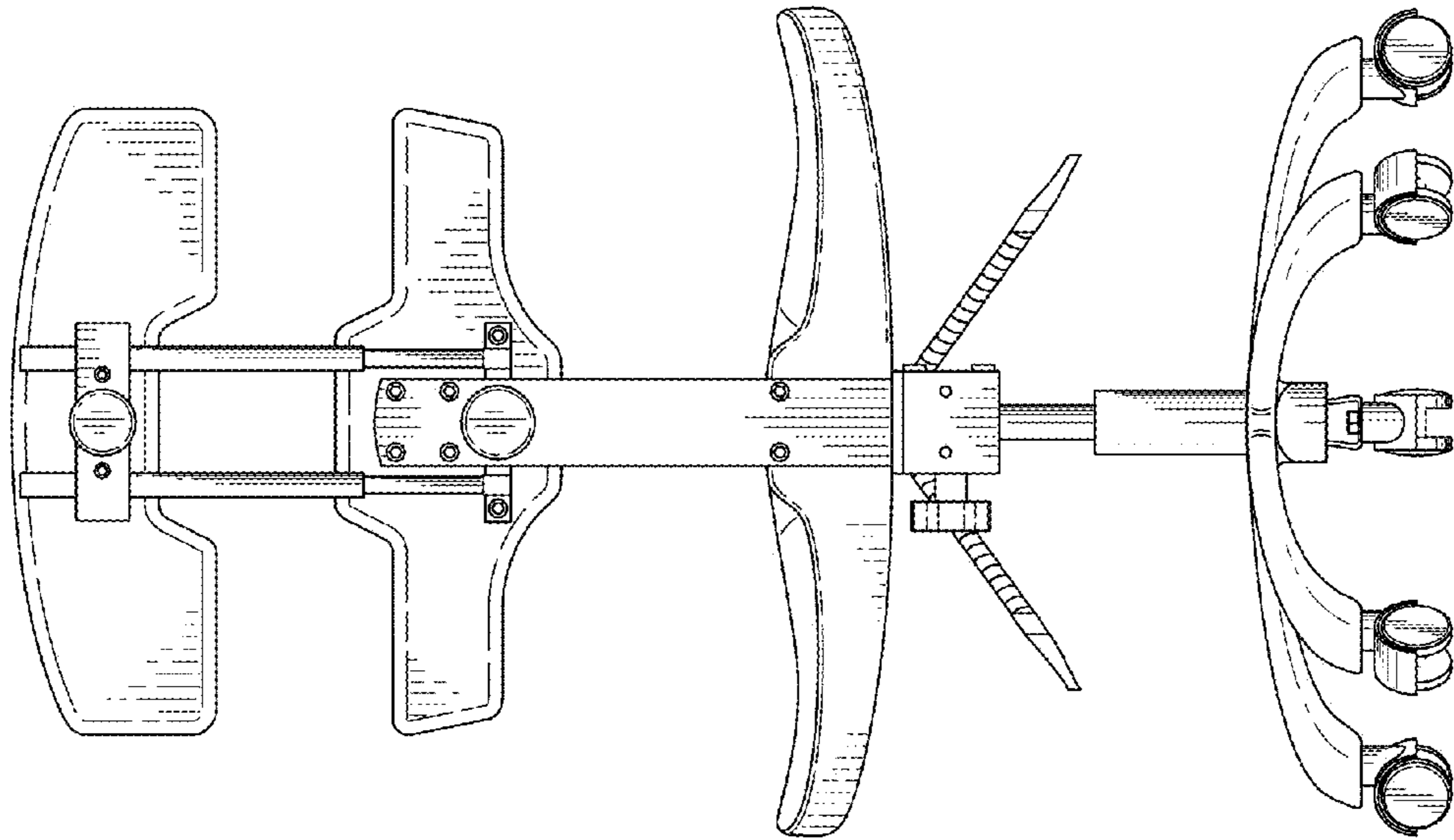


FIG. 5

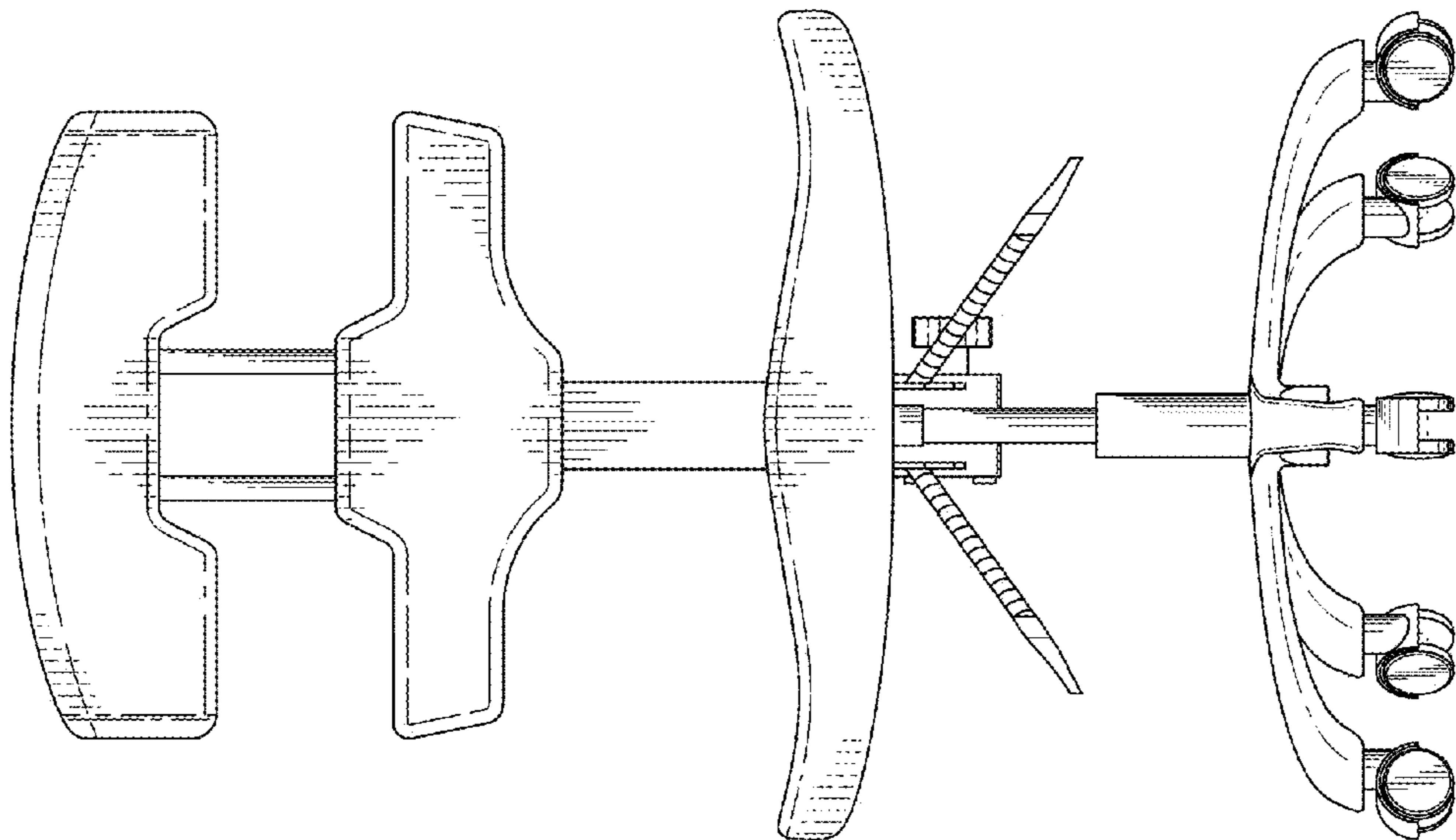


FIG. 4

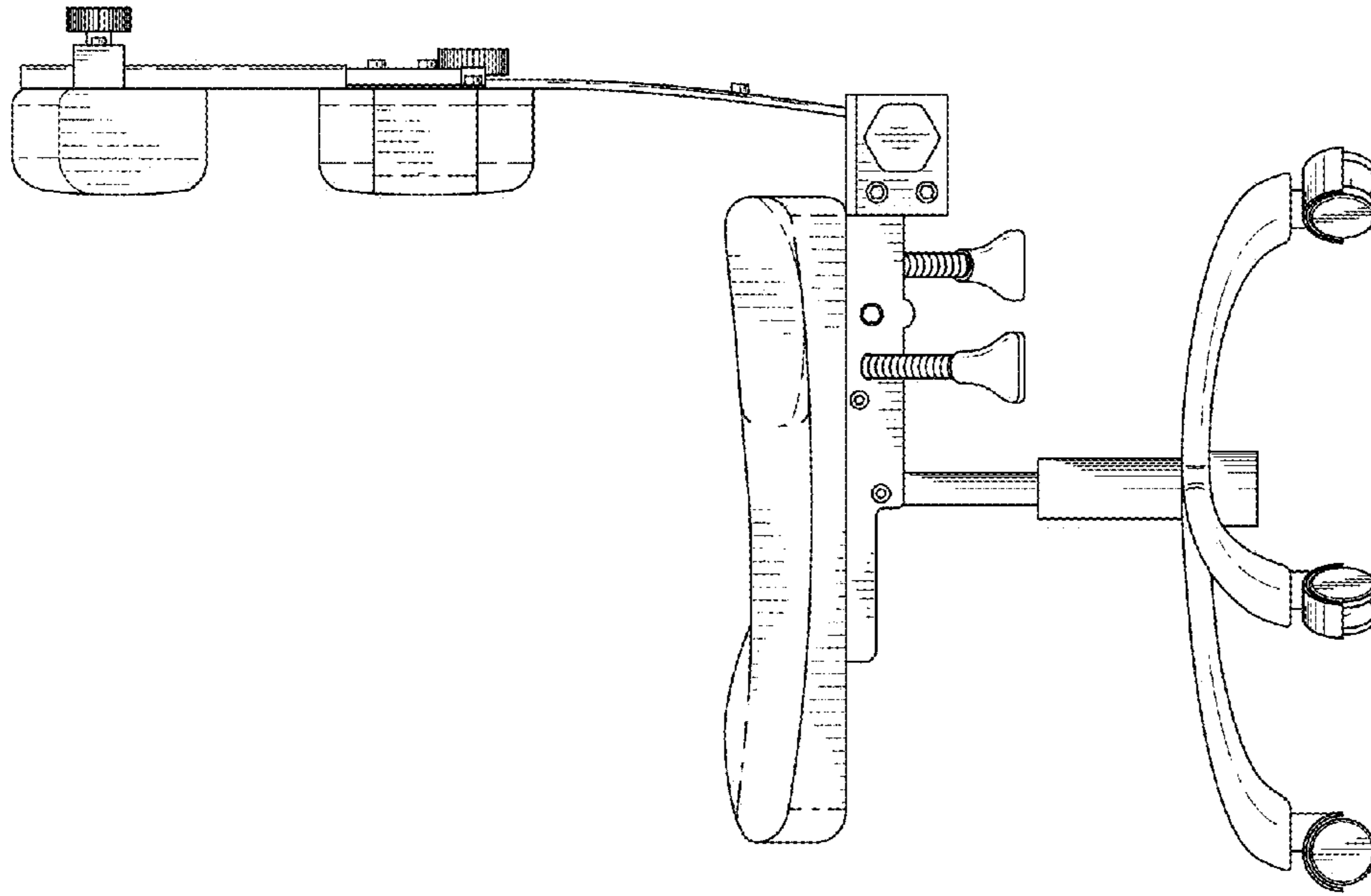


FIG. 7

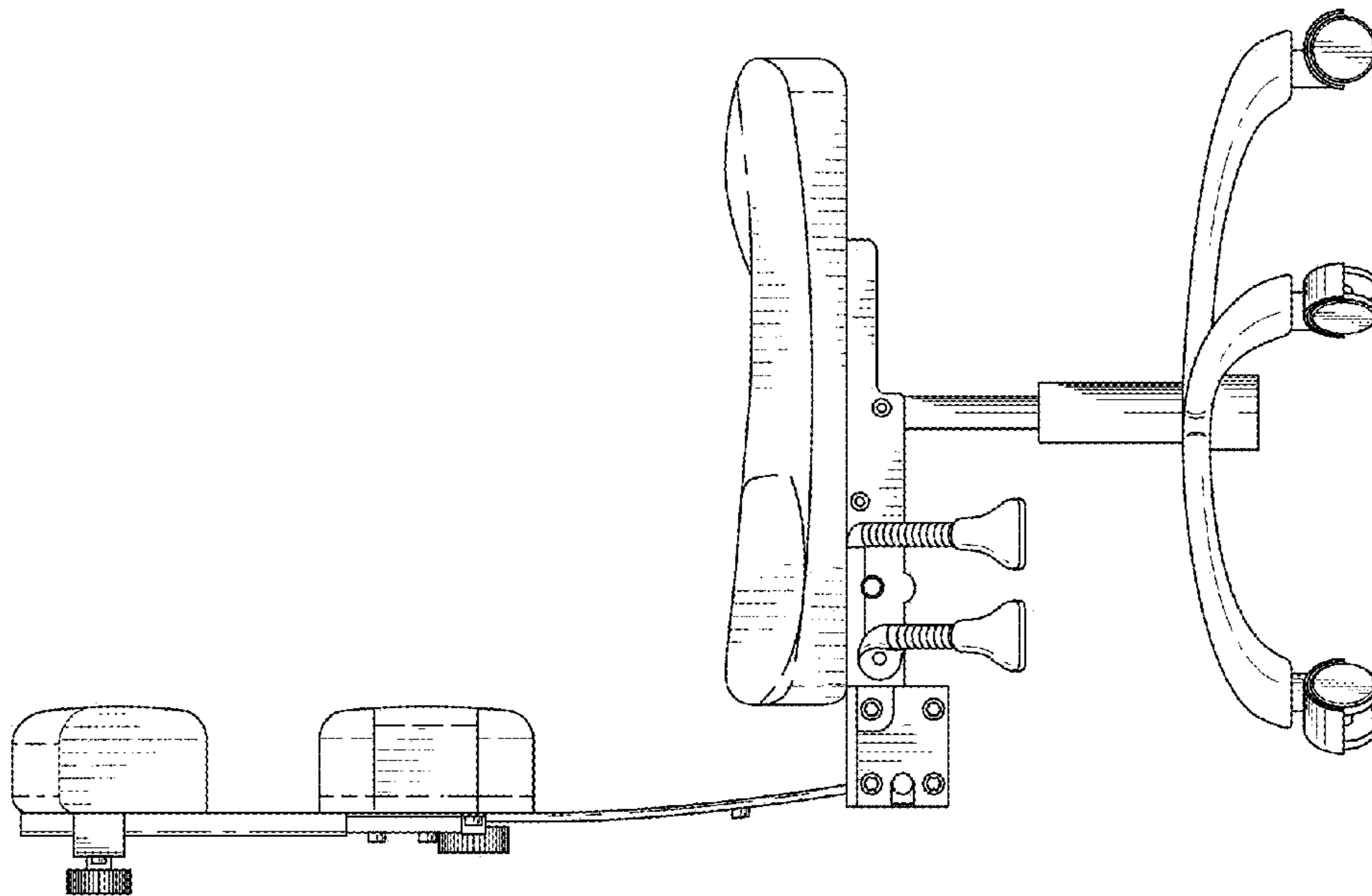


FIG. 6

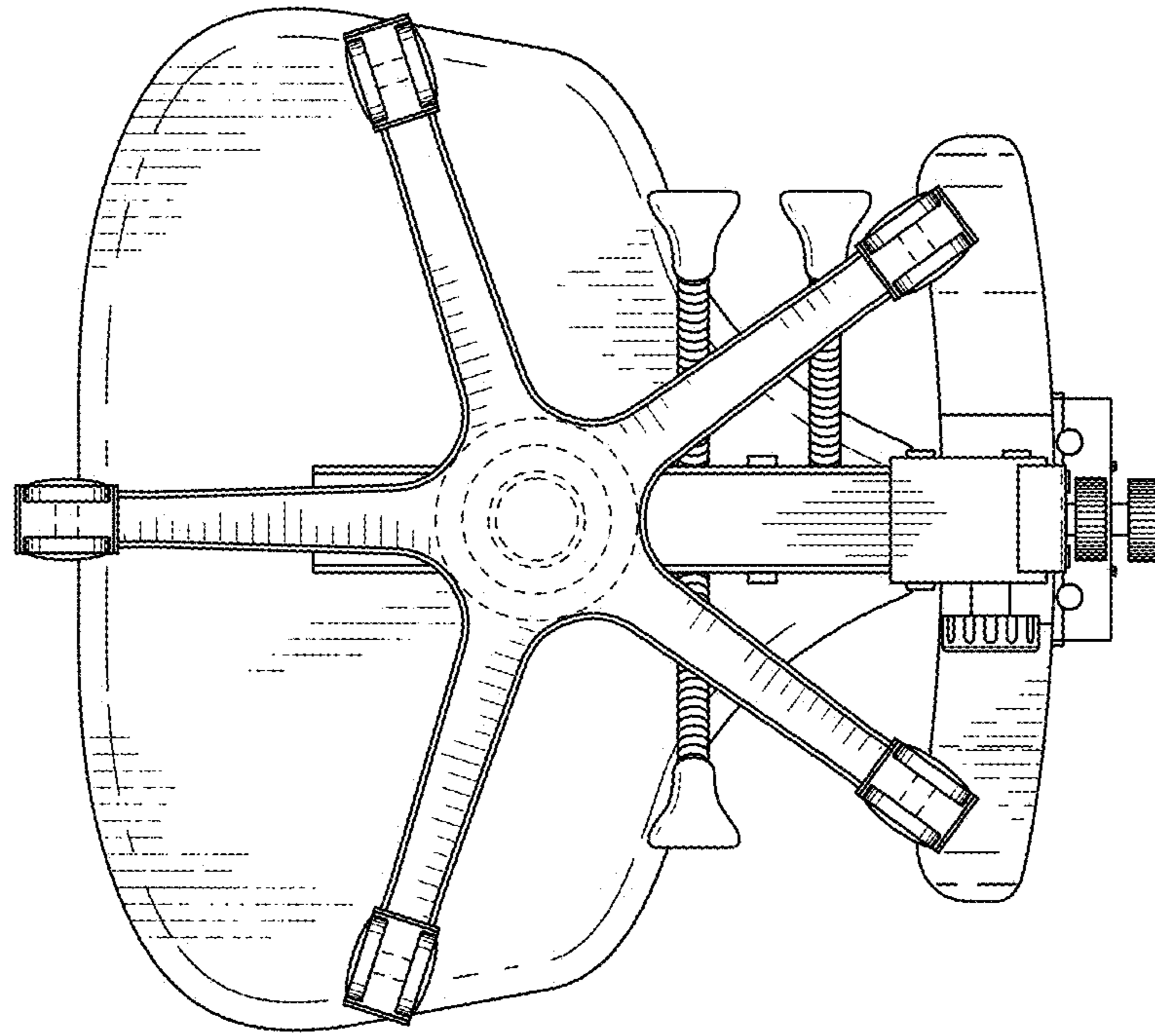


FIG. 9

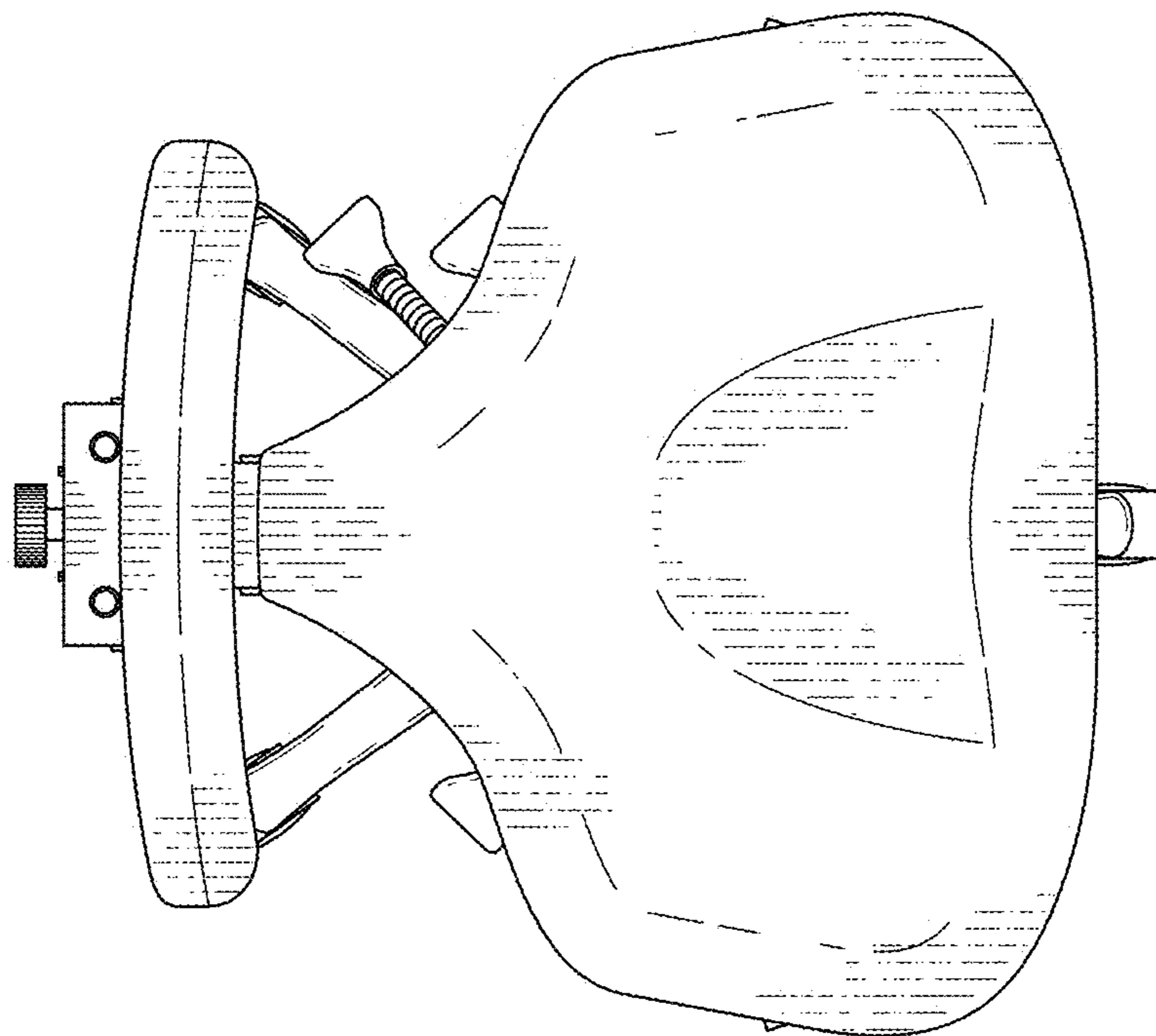


FIG. 8