

US00D763587S

(12) **United States Design Patent**  
**Neil**

(10) **Patent No.:** **US D763,587 S**

(45) **Date of Patent:** **\*\* Aug. 16, 2016**

(54) **CHAIR**

(71) Applicant: **Gary Neil**, Mississauga (CA)

(72) Inventor: **Gary Neil**, Mississauga (CA)

(73) Assignee: **Allseating Corporation**, Mississauga,  
Ontario

(\*\*) Term: **14 Years**

(21) Appl. No.: **29/506,172**

(22) Filed: **Oct. 14, 2014**

(51) **LOC (10) Cl.** ..... **06-01**

(52) **U.S. Cl.**  
USPC ..... **D6/366**

(58) **Field of Classification Search**  
USPC ..... D6/334-336, 364, 365, 366, 374, 379,  
D6/380, 716, 716.1, 716.2, 716.4  
CPC ..... A47C 7/022; A47C 7/40; A47C 7/18;  
A47C 7/004; A47C 4/028; A47C 7/54;  
A47C 7/282; B60N 2/66

See application file for complete search history.

(56) **References Cited**

**U.S. PATENT DOCUMENTS**

D445,580 S *	7/2001	Pennington	.....	D6/366
D446,397 S *	8/2001	Pennington	.....	D6/366
D558,995 S *	1/2008	Igarashi	.....	D6/366
D559,571 S *	1/2008	Meda	.....	D6/366
D559,572 S *	1/2008	Igarashi	.....	D6/366

D566,410 S *	4/2008	Neil	.....	D6/366
D582,170 S *	12/2008	Chi	.....	D6/366
D636,614 S *	4/2011	Sander	.....	D6/366
D640,477 S *	6/2011	Neil	.....	D6/366
D646,915 S *	10/2011	Schweikarth	.....	D6/366
D652,647 S *	1/2012	Schaack	.....	D6/366
D653,044 S *	1/2012	Schaack	.....	D6/366
D661,136 S *	6/2012	Su	.....	D6/366
D683,172 S *	5/2013	Su	.....	D6/366
D683,574 S *	6/2013	Su	.....	D6/366

\* cited by examiner

*Primary Examiner* — Mimoso De

(74) *Attorney, Agent, or Firm* — Lorelei G. Graham

(57) **CLAIM**

I claim the ornamental design for a chair, as shown and described.

**DESCRIPTION**

FIG. 1 is a front perspective view of the chair.

FIG. 2 is a back perspective view of the chair.

FIG. 3 is a right view of the chair.

FIG. 4 is a front view of the chair.

FIG. 5 is a left view of the chair.

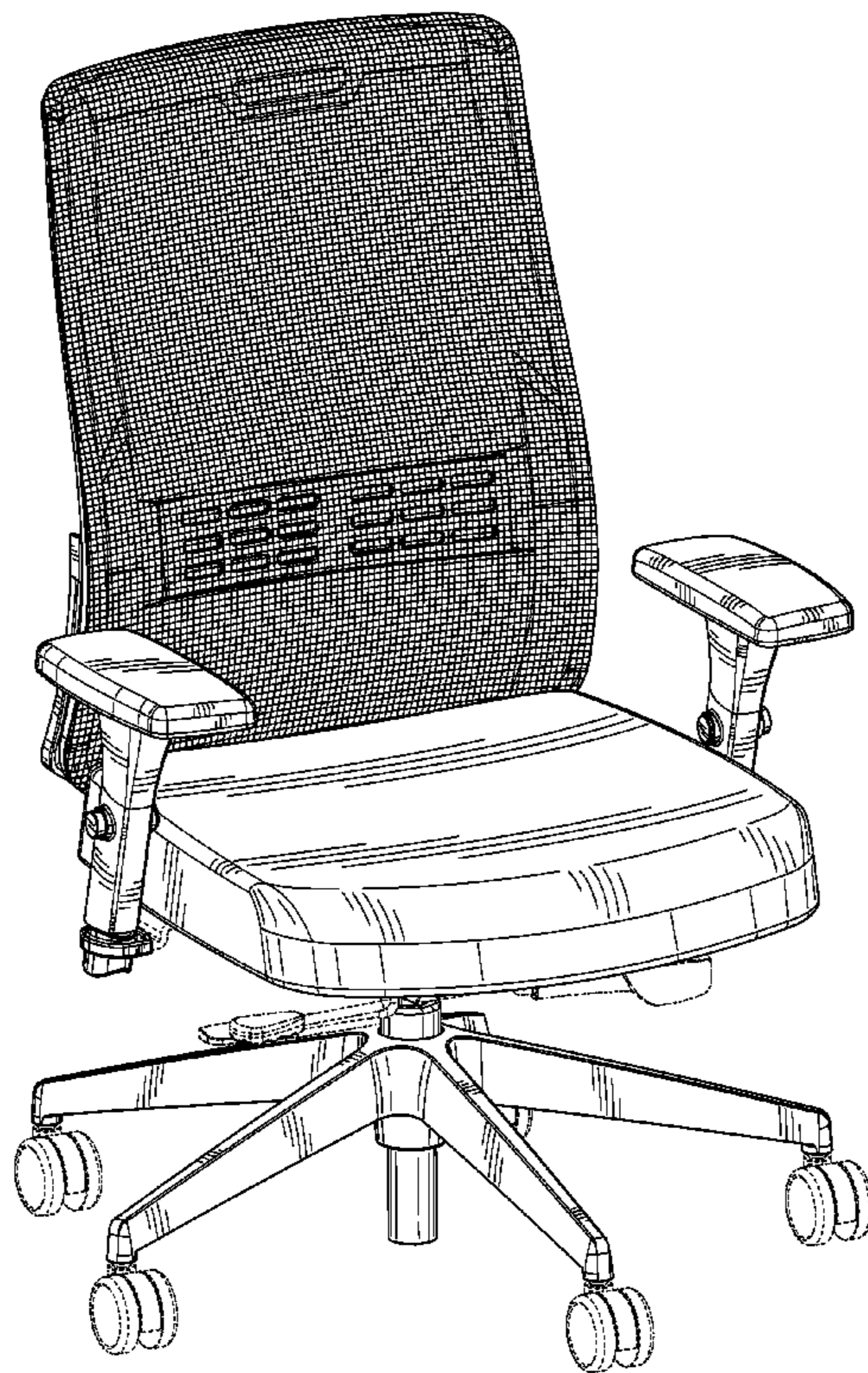
FIG. 6 is a back view of the chair.

FIG. 7 is a top view of the chair; and,

FIG. 8 is a bottom view of the chair.

The broken lines shown in the drawings are for the purpose of illustrating portions of the article that form no part of the claim design.

**1 Claim, 8 Drawing Sheets**



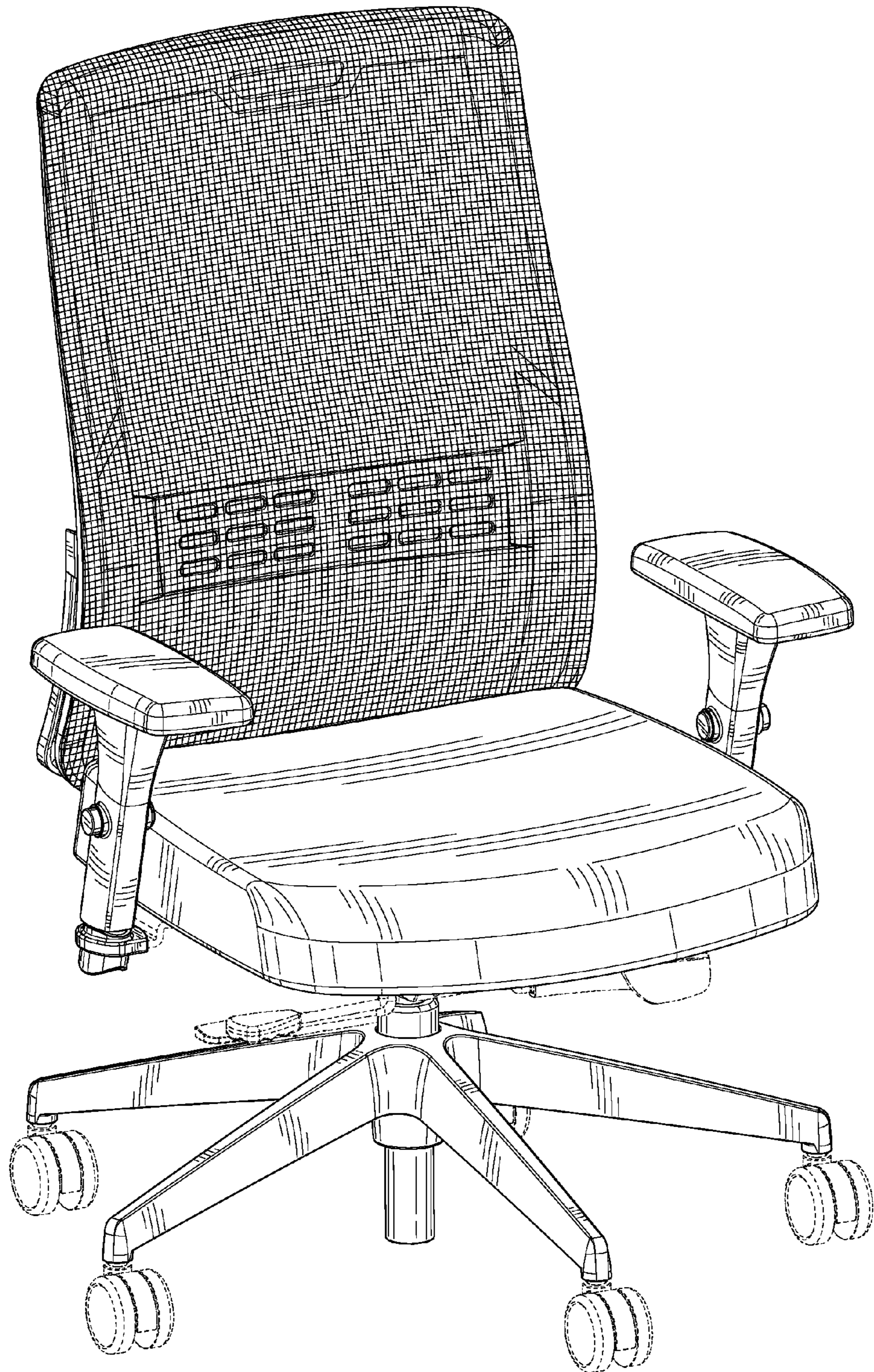


FIG. 1

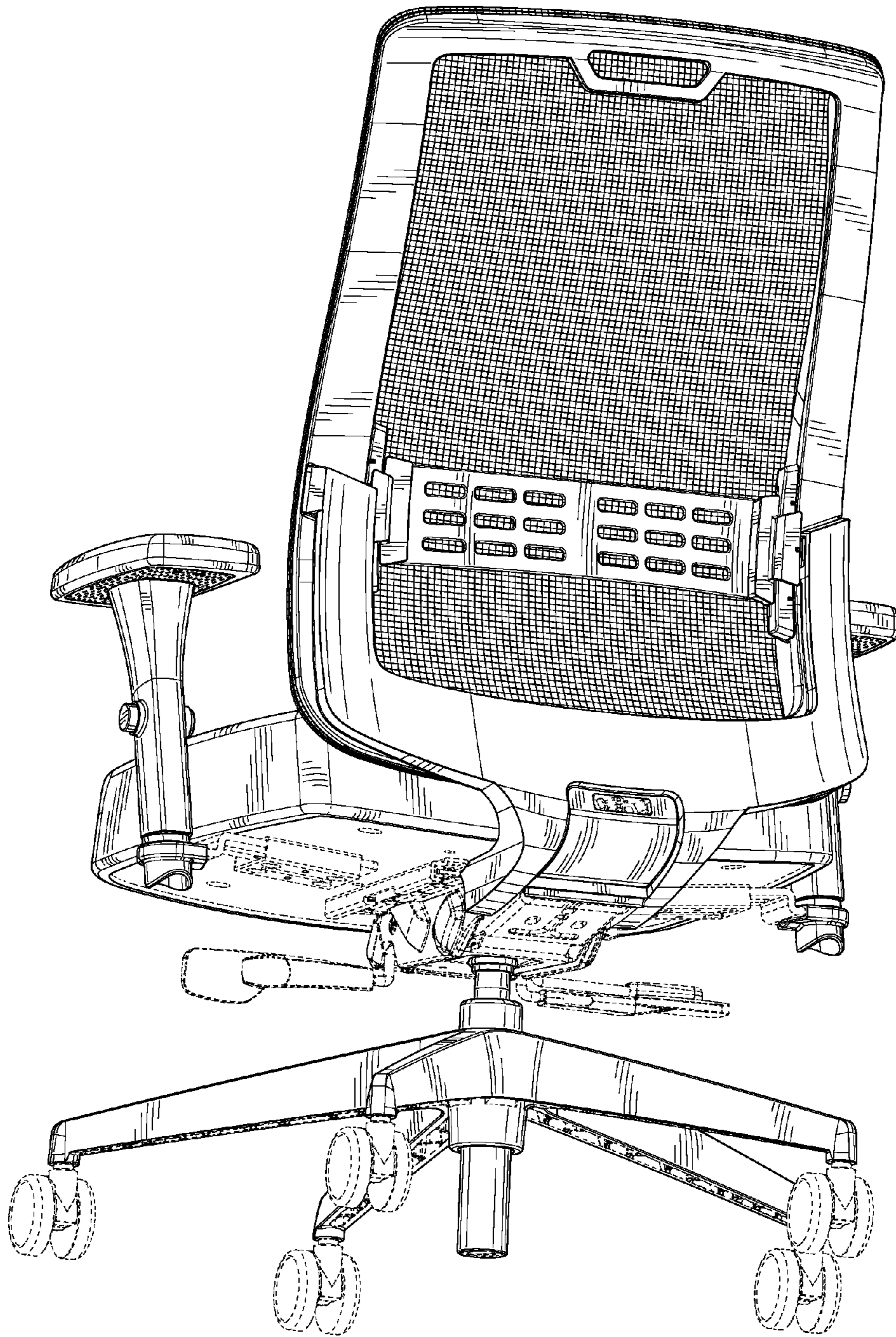


FIG. 2

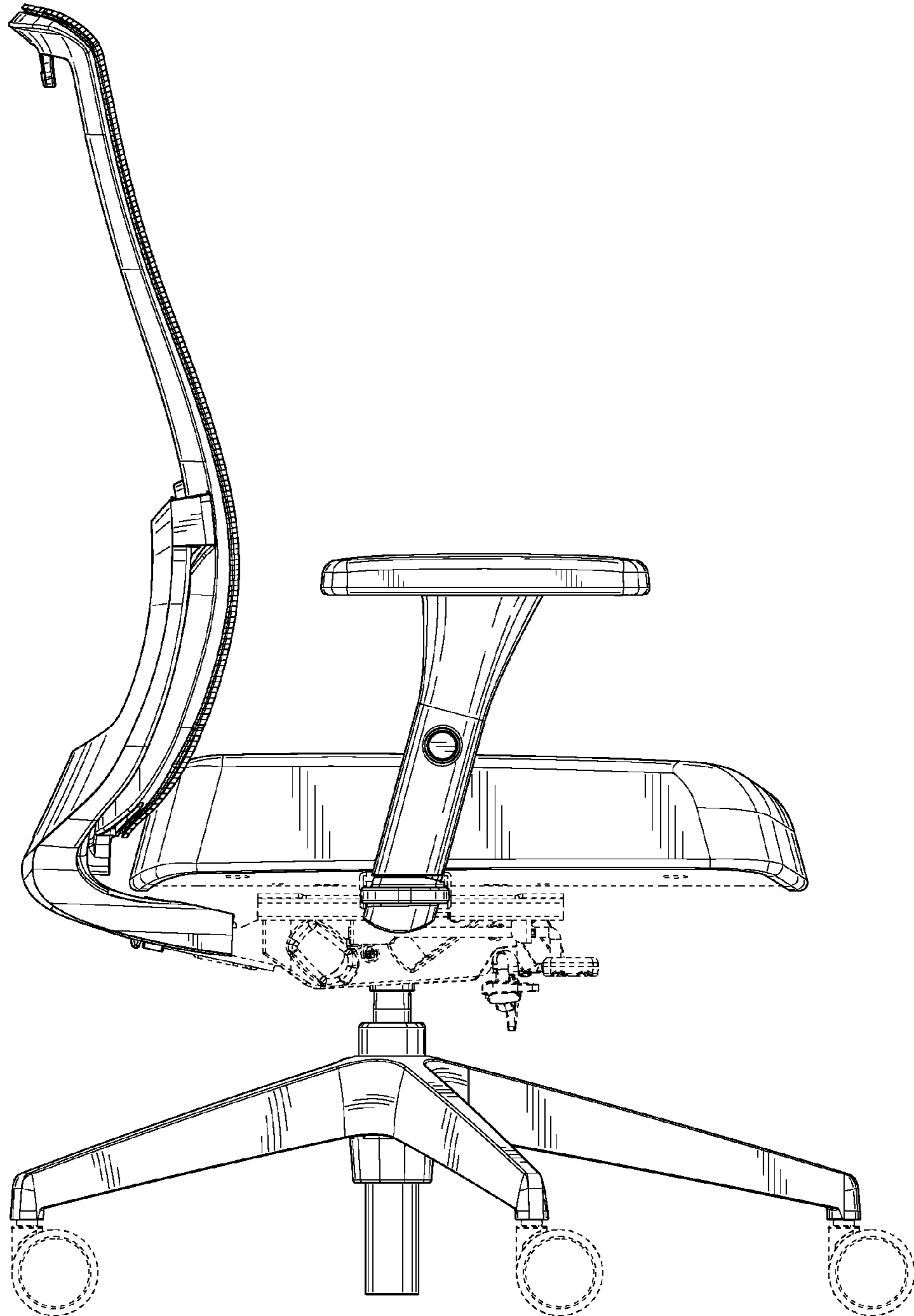


FIG. 3

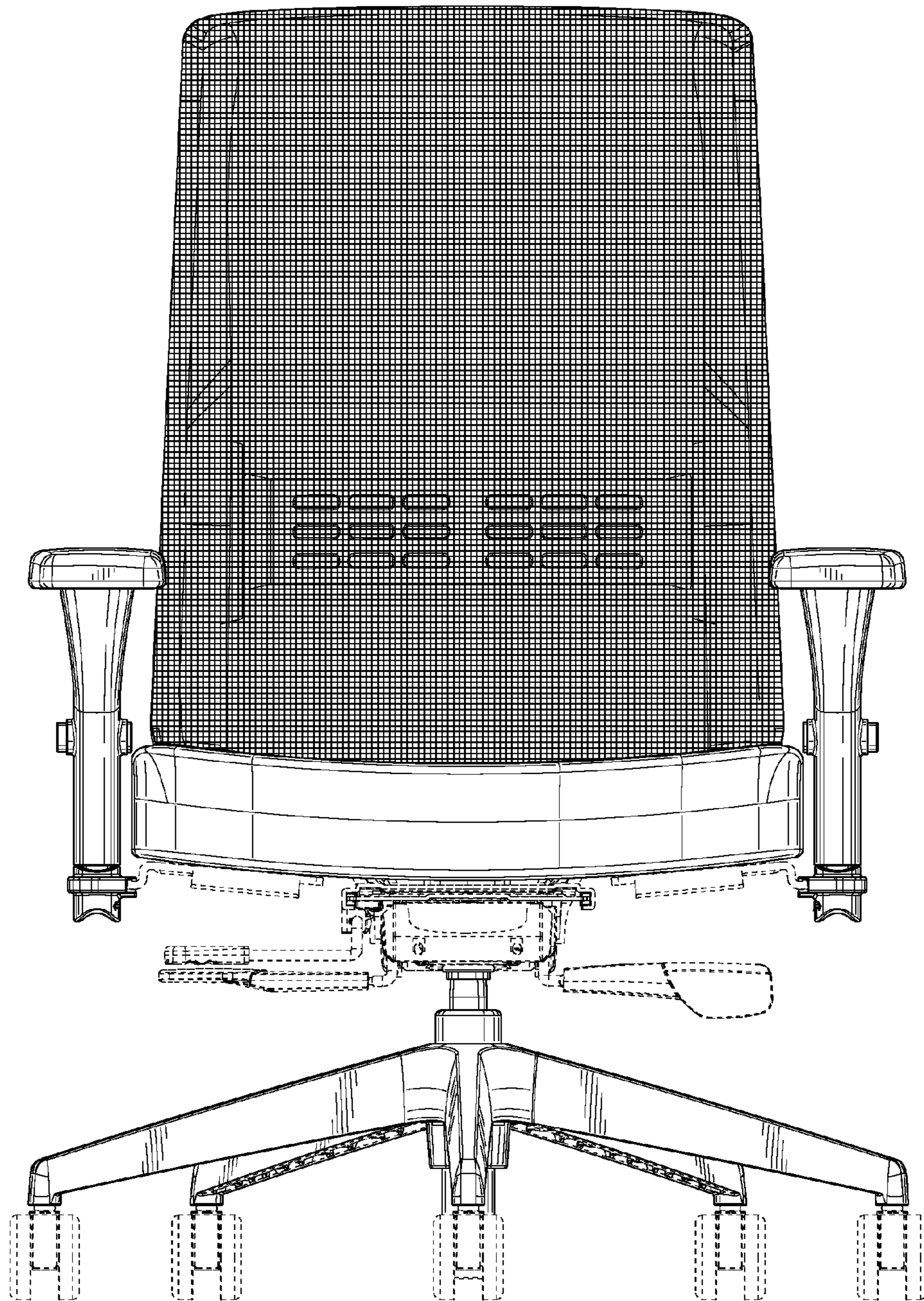


FIG. 4

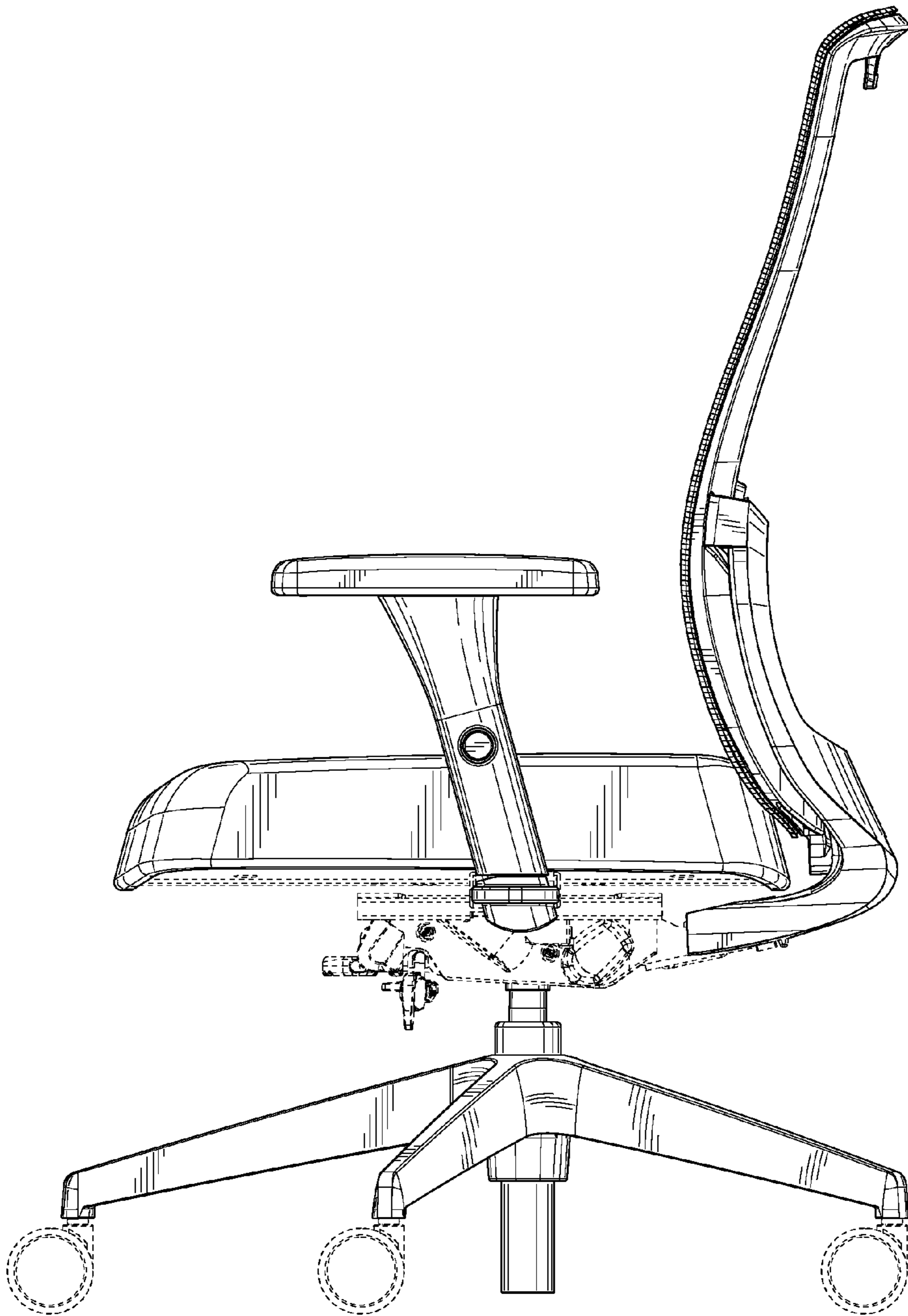


FIG. 5

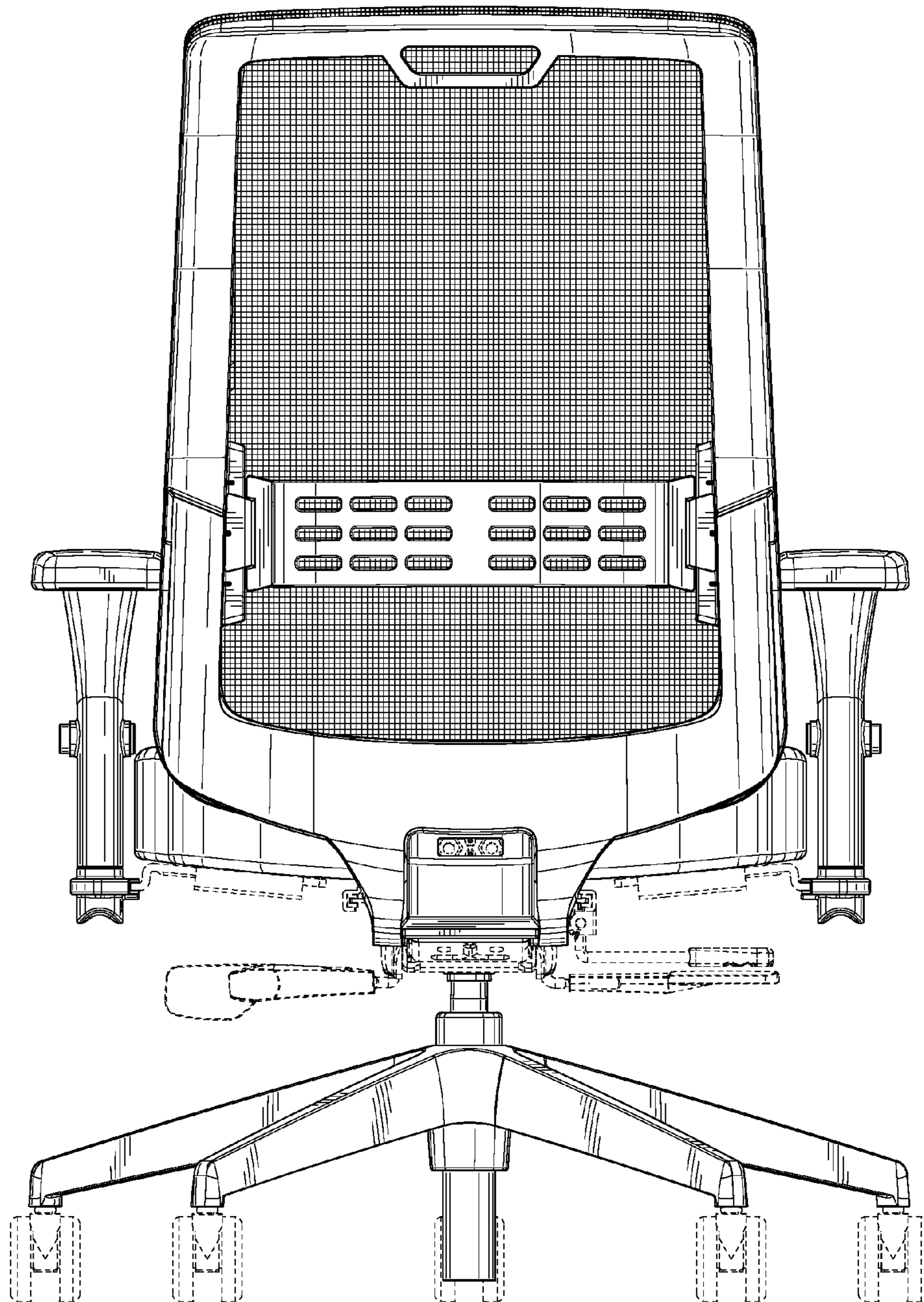


FIG. 6

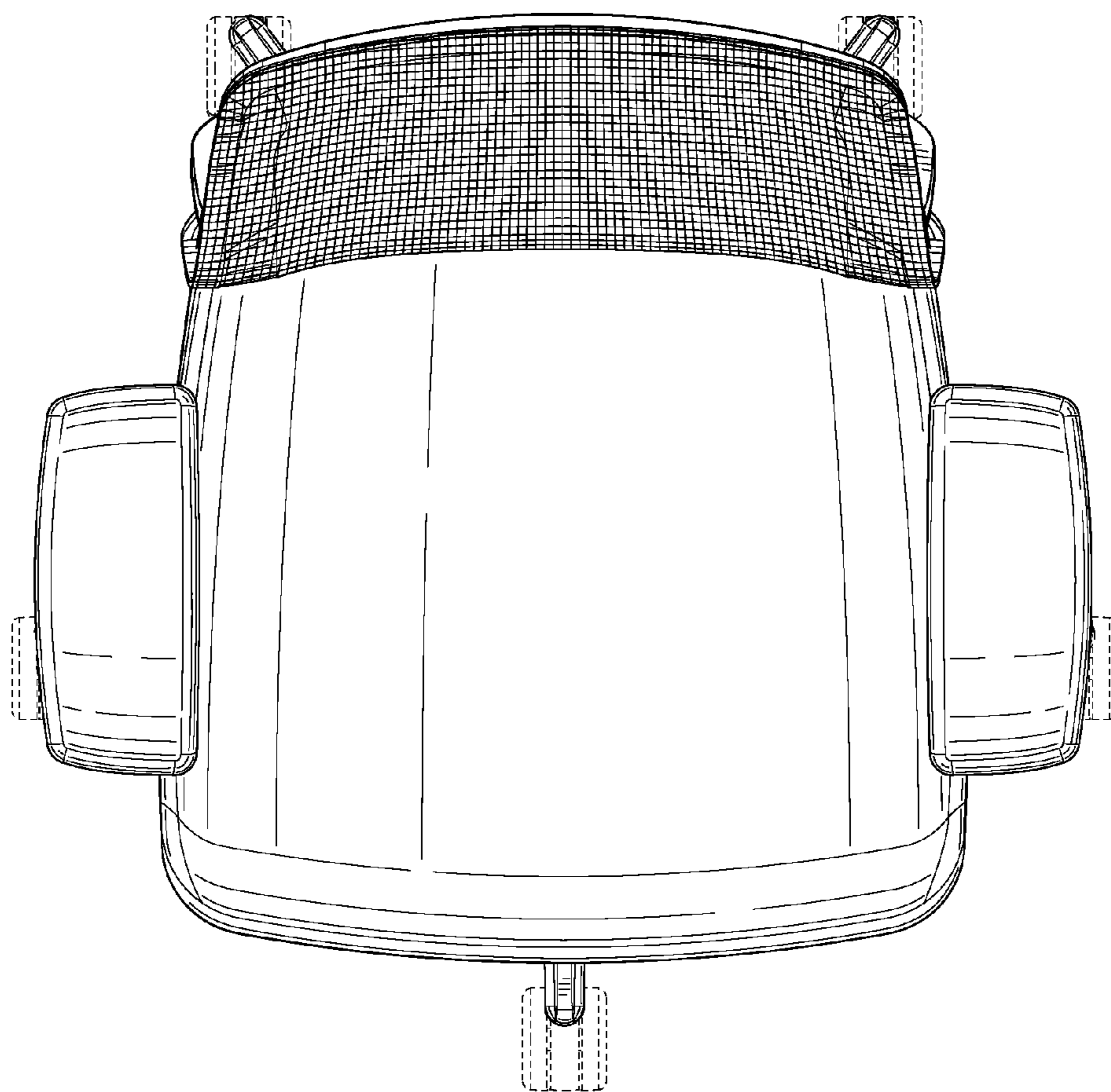


FIG. 7



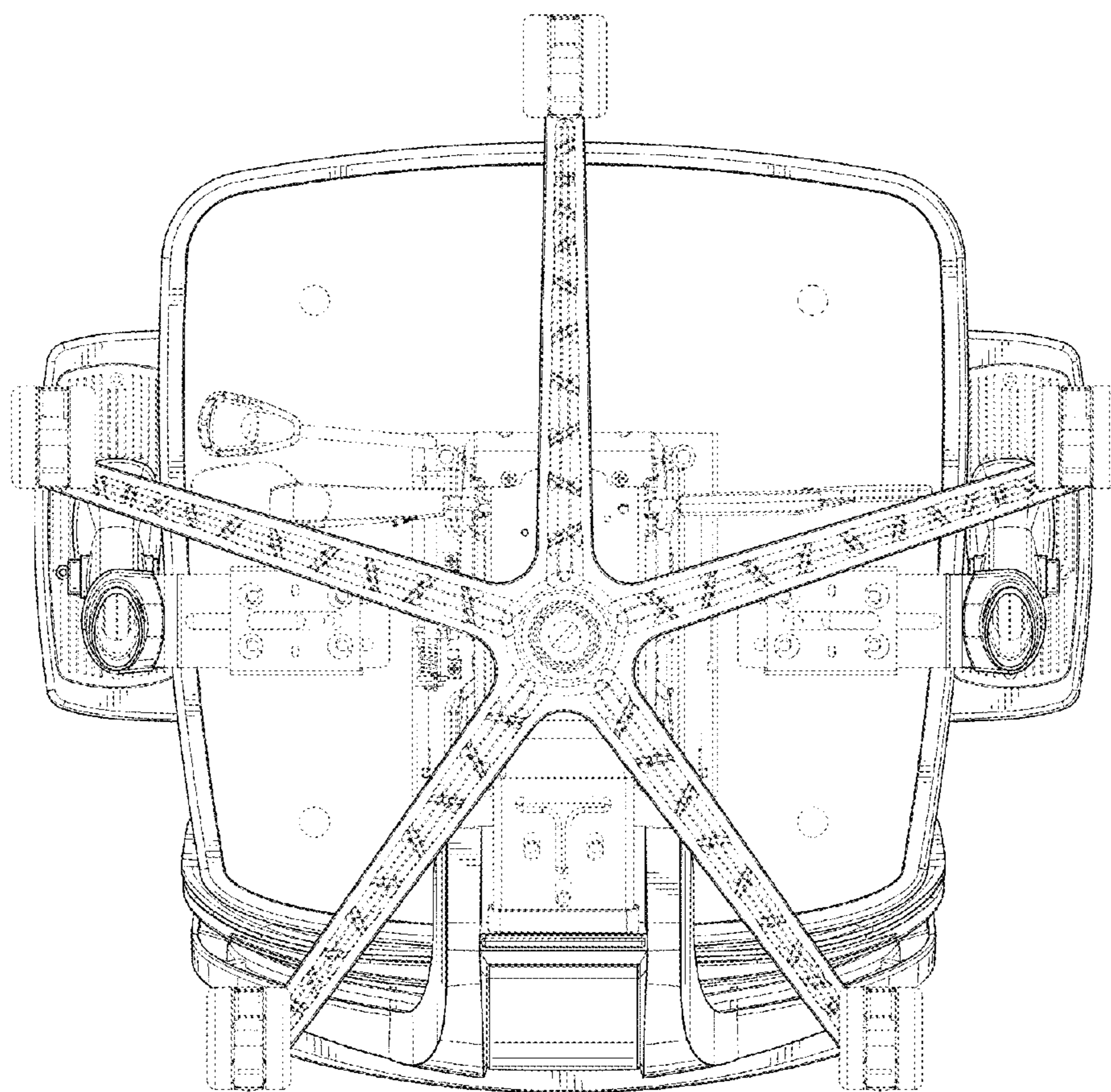


FIG. 8