



US00D763586S

(12) **United States Design Patent**  
**Arruda et al.**

(10) **Patent No.:** **US D763,586 S**  
(45) **Date of Patent:** **\*\* Aug. 16, 2016**

- (54) **ROCKING CHAIR**
- (71) Applicant: **Recreational Equipment, Inc.**, Kent, WA (US)
- (72) Inventors: **Jon Arruda**, Tacoma, WA (US); **Steve Nagode**, Federal Way, WA (US); **Gregory A. Dean**, Seattle, WA (US); **Scott F. Smith**, Seattle, WA (US); **Michael Munter**, Maple Valley, WA (US); **Nasahn Adam Sheppard**, Mercer Island, WA (US); **Ian Eburah**, Seattle, WA (US)
- (73) Assignee: **Recreational Equipment, Inc.**, Kent, WA (US)
- (\*\*) Term: **14 Years**
- (21) Appl. No.: **29/522,645**
- (22) Filed: **Apr. 1, 2015**
- (51) **LOC (10) Cl.** ..... **06-01**
- (52) **U.S. Cl.**  
USPC ..... **D6/348**
- (58) **Field of Classification Search**  
USPC ..... D6/334–336, 333, 344, 348, 375, 376, D6/716, 716.1, 716.3, 716.4; D21/412  
CPC ..... A47C 3/02; A47C 3/029; A47C 5/04; A47C 3/12; A47D 13/10; A47D 13/102; A47D 13/105; A47D 13/107  
See application file for complete search history.

5,709,428 A 1/1998 Huggins  
 D478,220 S \* 8/2003 Chang ..... D6/333  
 6,971,712 B1 \* 12/2005 Tseng ..... A47C 3/029  
 297/16.1  
 D554,386 S \* 11/2007 Nobles ..... D6/375  
 D556,465 S \* 12/2007 Massaud ..... D6/348  
 8,454,084 B2 6/2013 Lah

**FOREIGN PATENT DOCUMENTS**

WO WO2013/180831 A1 12/2013

**OTHER PUBLICATIONS**

Author Unknown, "ALPS Mountaineering Freedom Chair—Special Buy," Available at: <http://www.rei.com/product/883263/alps-mountaineering-freedom-chair-special-buy>, 1 page (printed May 13, 2015).

Author Unknown, "Freestyle Rocker," Available at: <http://www.rei.com/zoom/mm/212ab2da-8941-48a7-9221-26a3b1c70379.jpg/440>, 1 page (printed May 13, 2015).

Author Unknown, "Freestyle Rocker," Available at: <http://www.rei.com/zoom/uu/b1ecf01e-21e4-4d3f-93c8-93c6fa764dfa.jpg/440>, 1 page (printed May 13, 2015).

(Continued)

*Primary Examiner* — Mimosa De  
 (74) *Attorney, Agent, or Firm* — K&L Gates LLP

(57) **CLAIM**  
 The ornamental design for the rocking chair, as shown and described.

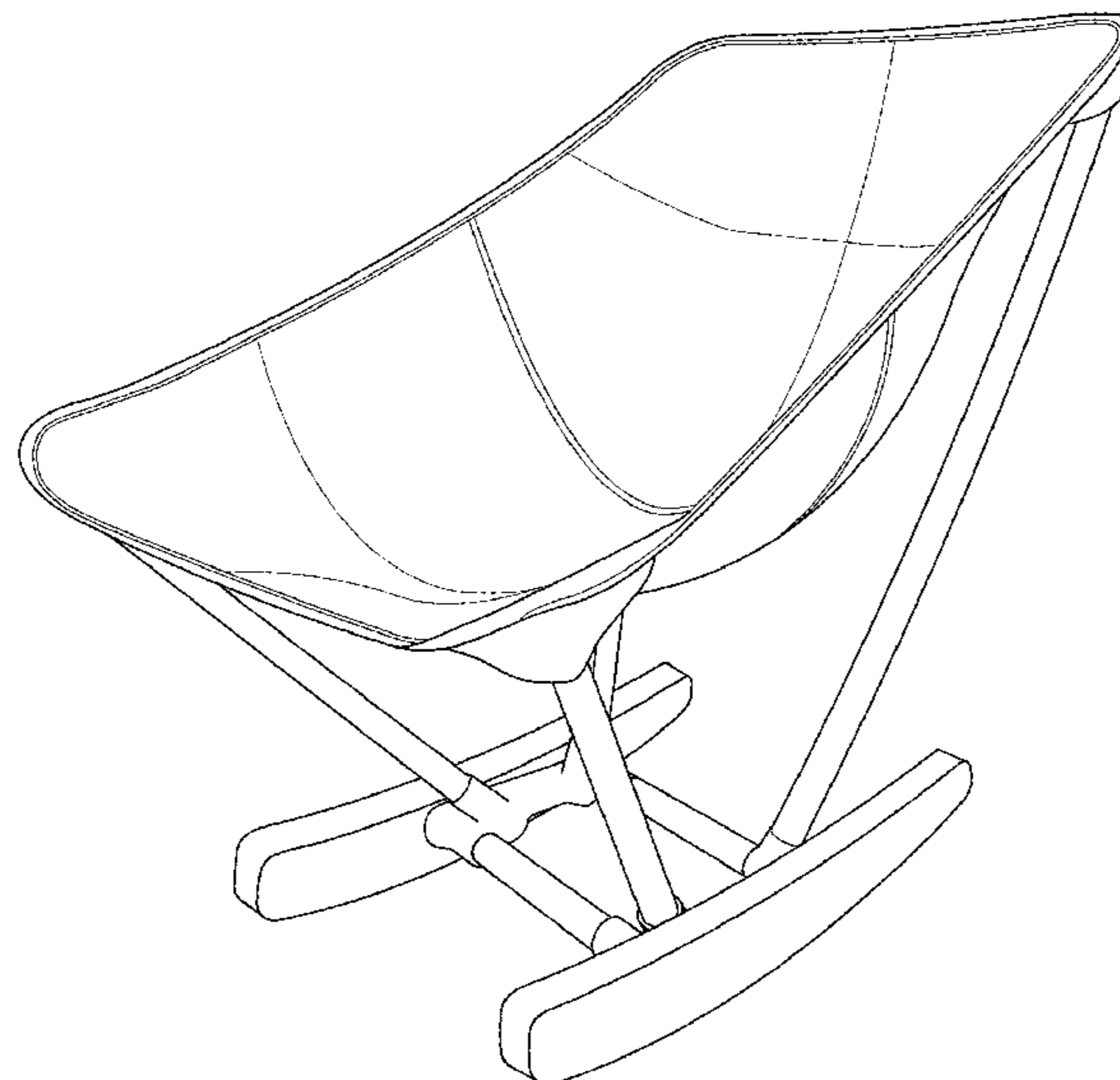
**DESCRIPTION**

FIG. 1 is a front perspective view of a chair showing our new design;  
 FIG. 2 is a front elevation view thereof;  
 FIG. 3 is a right side elevational view thereof; and,  
 FIG. 4 is a rear elevational view thereof.

**1 Claim, 4 Drawing Sheets**

(56) **References Cited**  
**U.S. PATENT DOCUMENTS**

D191,704 S \* 11/1961 Stauffer ..... D6/375  
 3,804,459 A \* 4/1974 Nose ..... A47D 13/105  
 297/271.6  
 D239,223 S \* 3/1976 Smith ..... D6/348



(56)

**References Cited**

OTHER PUBLICATIONS

Author Unknown, "Freestyle Rocker," Available at: <http://www.rei.com/zoom/vv/7cef1c67-aaae-48b6-9d56-b53affee8a2f.jpg/440,1> page (printed May 13, 2015).

Author Unknown, "GCI Outdoor Freestyle Rocker Chair," Available at: <http://www.rei.com/product/853186/gci-outdoor-freestyle-rocker-chair> , 1 page (printed May 13, 2015).

Author Unknown, "L.L. Bean Camp Comfort Rocker," Available at: <http://www.llbean.com/llb/shop/80878?page=llbean-camp-comfort-rocker>, 2 pages (printed May 13, 2015).

Author Unknown, "Low Rider Camp Rocker," Available at: <http://www.llbean.com/llb/shop/80881?feat=80878-pprrtop>, 2 pages (printed May 13, 2015).

\* cited by examiner

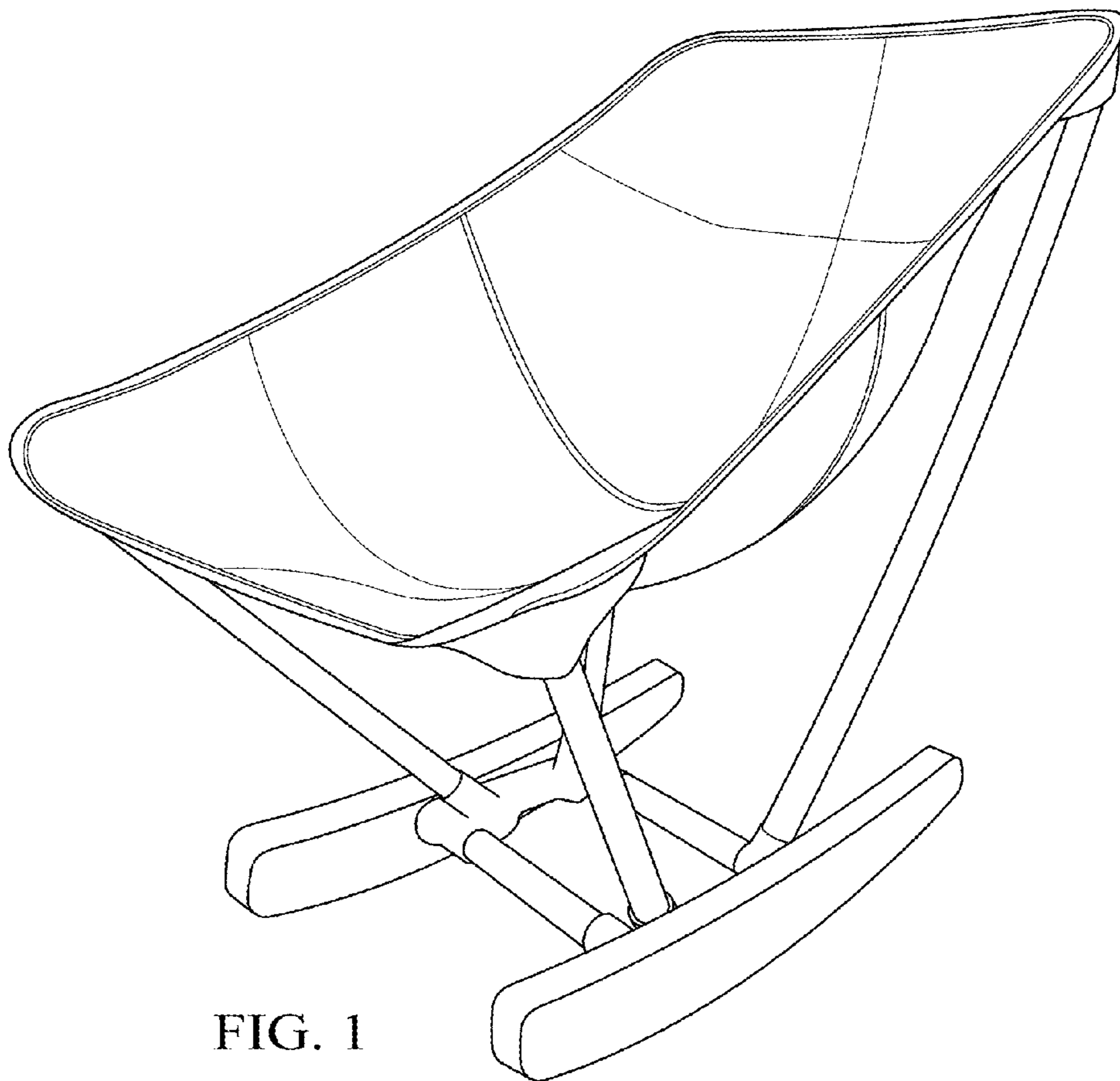


FIG. 1

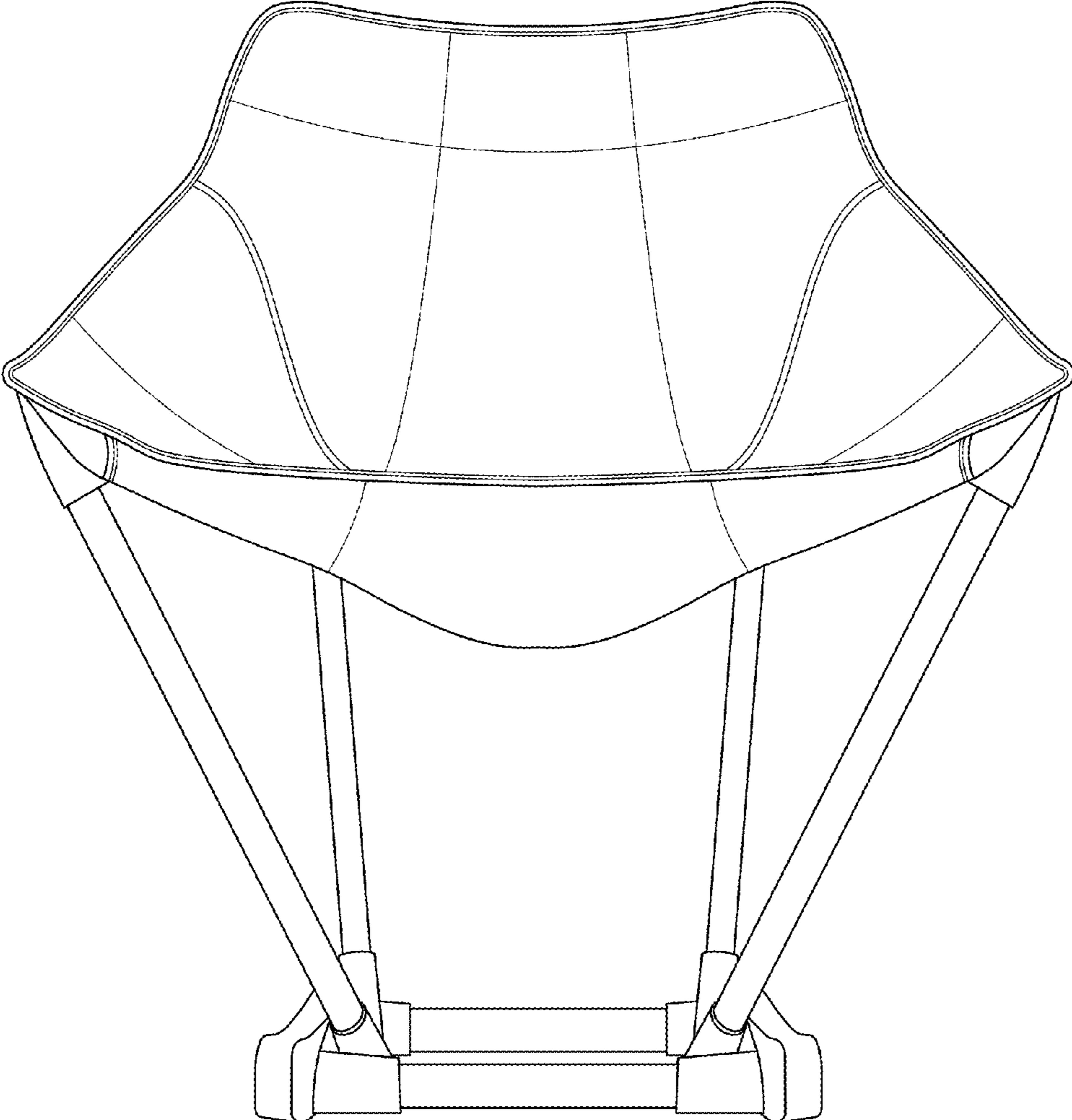


FIG. 2

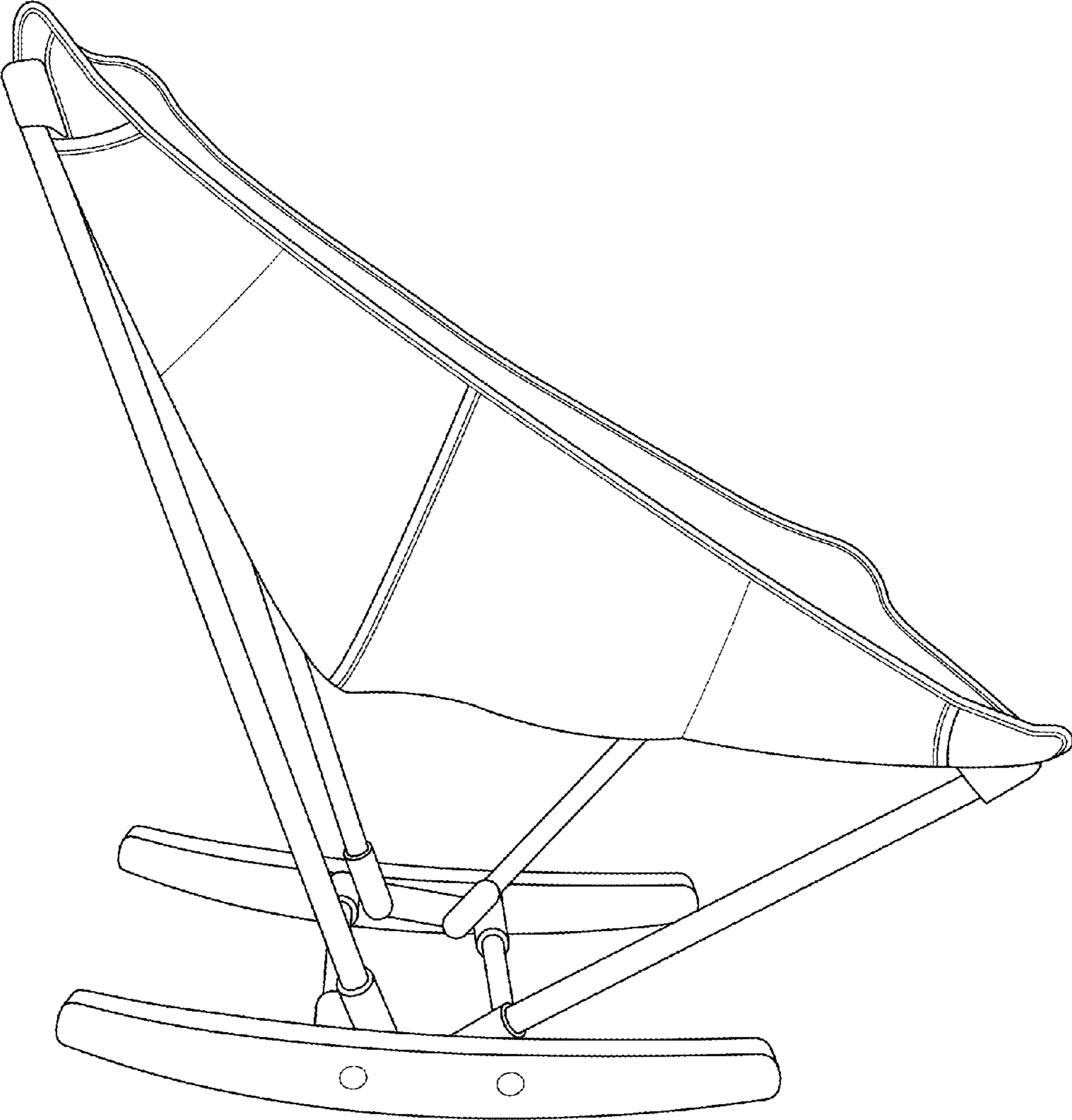


FIG. 3



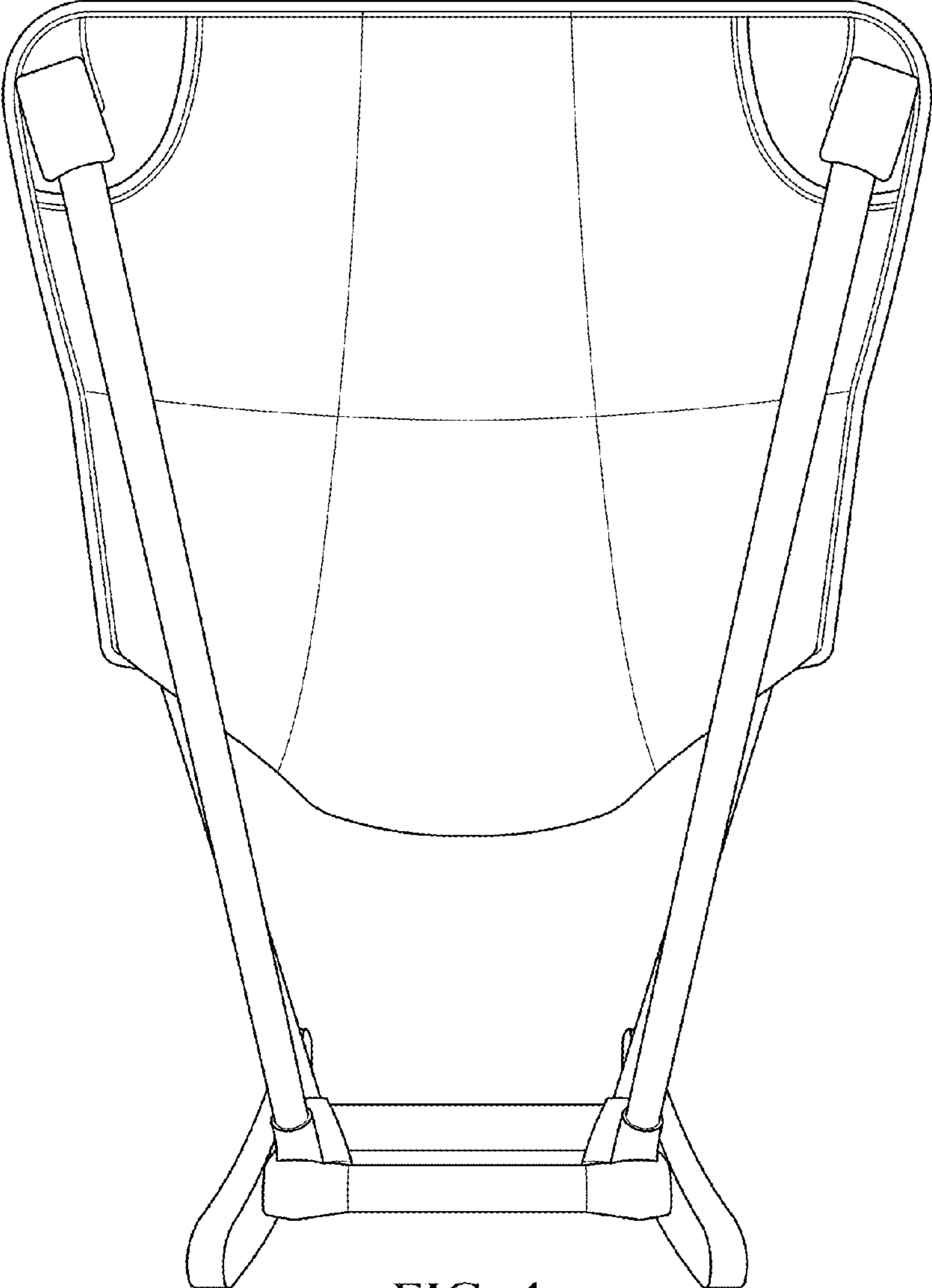


FIG. 4