



US00D763585S

(12) **United States Design Patent**
Morozan

(10) **Patent No.:** **US D763,585 S**

(45) **Date of Patent:** **** Aug. 16, 2016**

(54) **BENCH WITH DISPLAY AND PLANTER**

(71) Applicant: **Florin Adrian Morozan**, Downers Grove, IL (US)

(72) Inventor: **Florin Adrian Morozan**, Downers Grove, IL (US)

(**) Term: **15 Years**

(21) Appl. No.: **29/532,094**

(22) Filed: **Jul. 1, 2015**

(51) **LOC (10) Cl.** **06-01**

(52) **U.S. Cl.**
USPC **D6/335**

(58) **Field of Classification Search**
USPC D6/334, 335, 336, 338, 349, 355, 381, D6/716, 716.1, 672, 675, 677, 684, 556; 297/118, 119, 135, 144, 232, 445.1, 297/448.1, 452.18, 156, 175, 216.1; 5/12.1, 5/12.2
CPC A47C 1/02; A47C 1/12; A47C 11/00; A47C 17/00; A47C 17/02; A47C 4/52; A47C 9/00
See application file for complete search history.

(56) **References Cited**

U.S. PATENT DOCUMENTS

D161,211 S	*	12/1950	Baccoccia	297/188.14
D212,790 S	*	11/1968	Abbott	D6/336
D221,072 S	*	7/1971	Arenhold	D6/349
D259,681 S	*	6/1981	Bouwman	D6/675
D272,782 S	*	2/1984	Shelton	D6/675
D275,160 S	*	8/1984	Shelton	D6/675
D327,984 S	*	7/1992	Harris	D6/335
D355,774 S	*	2/1995	Proserpio	D6/335
D365,937 S	*	1/1996	Skalka	D6/349

D401,426 S	*	11/1998	Hu	D6/349
D427,815 S	*	7/2000	Lewis	D6/349
D524,563 S	*	7/2006	Conway	D6/349
D560,922 S	*	2/2008	Rope	D6/335
D582,611 S	*	12/2008	Bise	D30/118
D627,111 S	*	11/2010	Seliskar	D30/160
D685,583 S	*	7/2013	Wolff-Plottegg	D6/335
D694,557 S	*	12/2013	Rodgers	D6/675

* cited by examiner

Primary Examiner — Sandra Snapp

(74) *Attorney, Agent, or Firm* — Mathew R. P. Perrone, Jr.

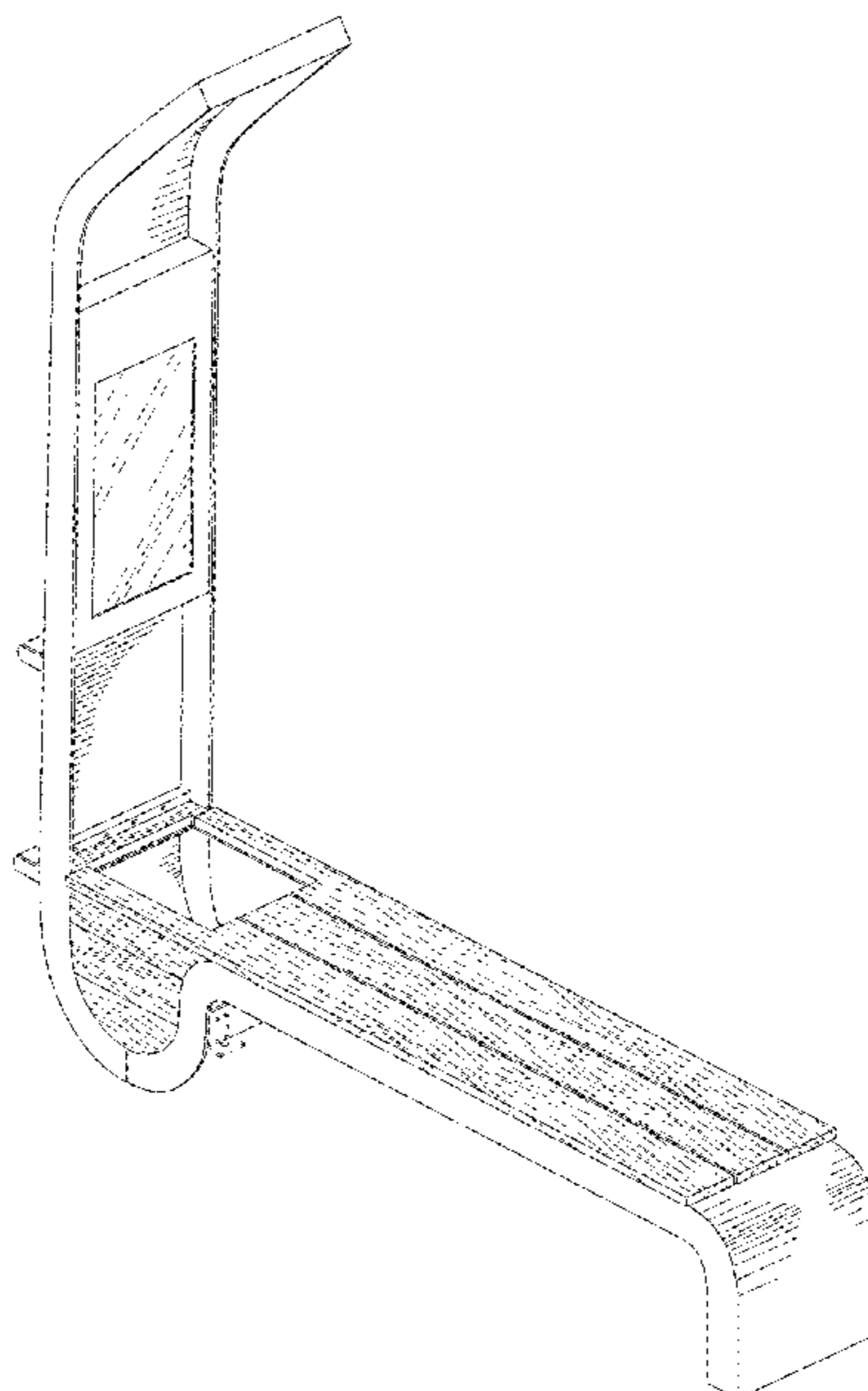
(57) **CLAIM**

The ornamental design for a bench with display and planter, as shown and described.

DESCRIPTION

FIG. 1 depicts a first perspective view of a bench with display and planter of my invention;
 FIG. 2 depicts a second perspective view of a bench with display and planter of my invention and is a reverse view of my invention based on FIG. 1;
 FIG. 3 depicts a side view of a bench with display and planter of my invention;
 FIG. 4 depicts a side view of a bench with display and planter of my invention and reverse view of FIG. 3;
 FIG. 5 depicts an end elevation view of a bench with display and planter of my invention based on FIG. 2;
 FIG. 6 depicts an end elevation view of a bench with display and planter of my invention based on FIG. 1;
 FIG. 7 depicts a bottom plan view of a bench with display and planter of my invention; and,
 FIG. 8 depicts a top plan view of a bench with display and planter of my invention based on FIG. 7.
 The broken lines shown in the drawings are for illustrative purposes only and form no part of the claimed design.

1 Claim, 3 Drawing Sheets



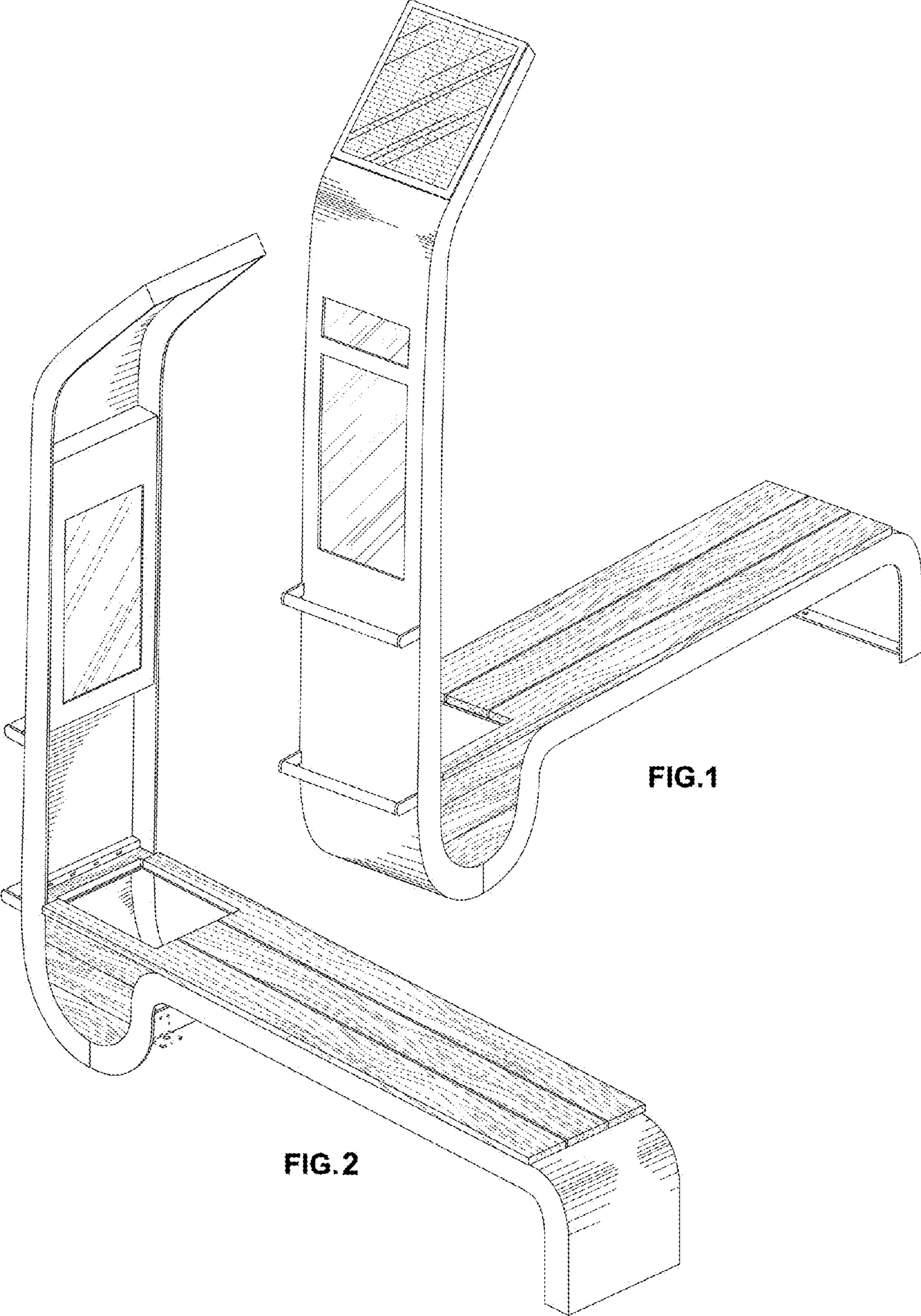
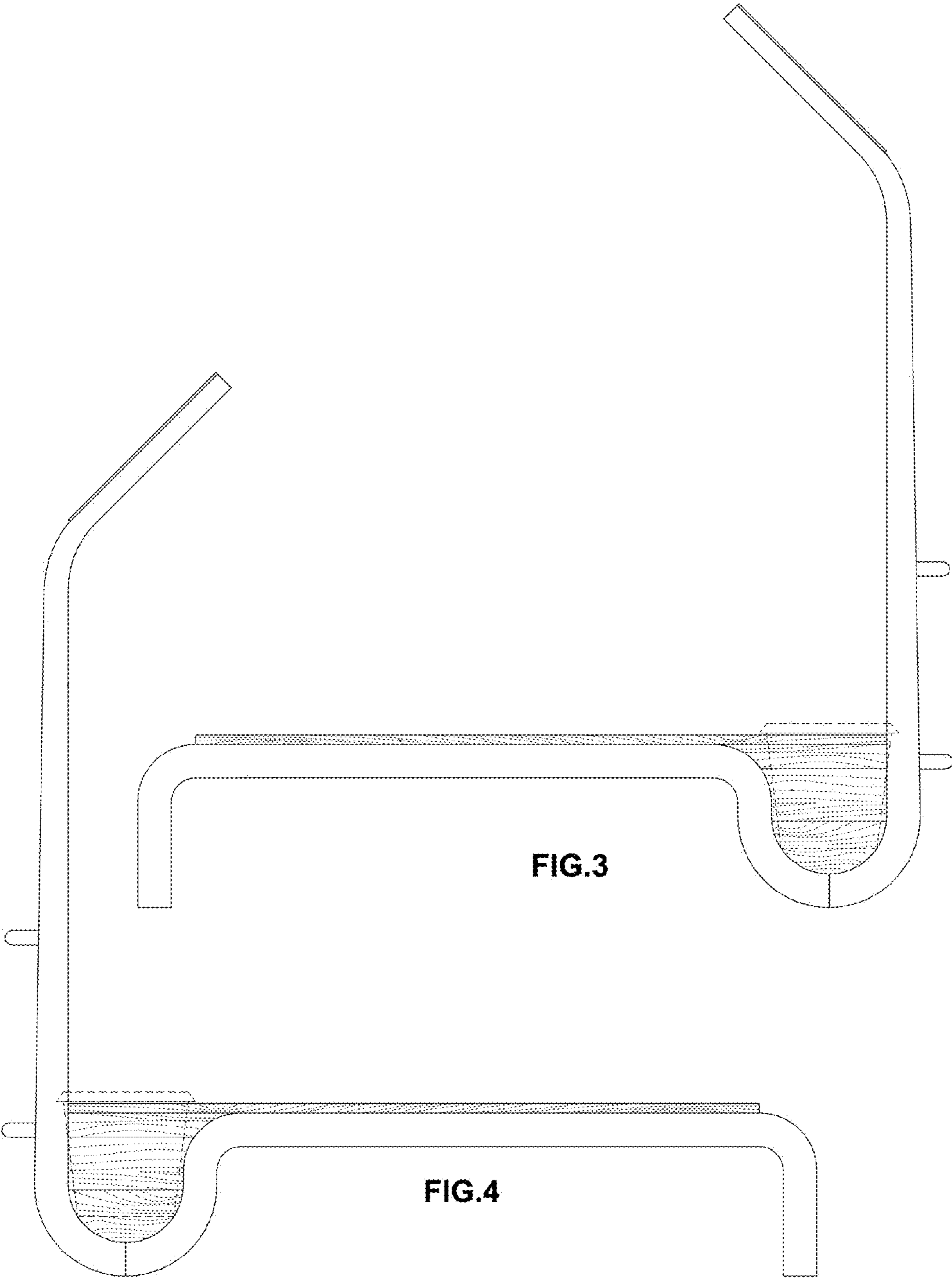


FIG.1

FIG.2



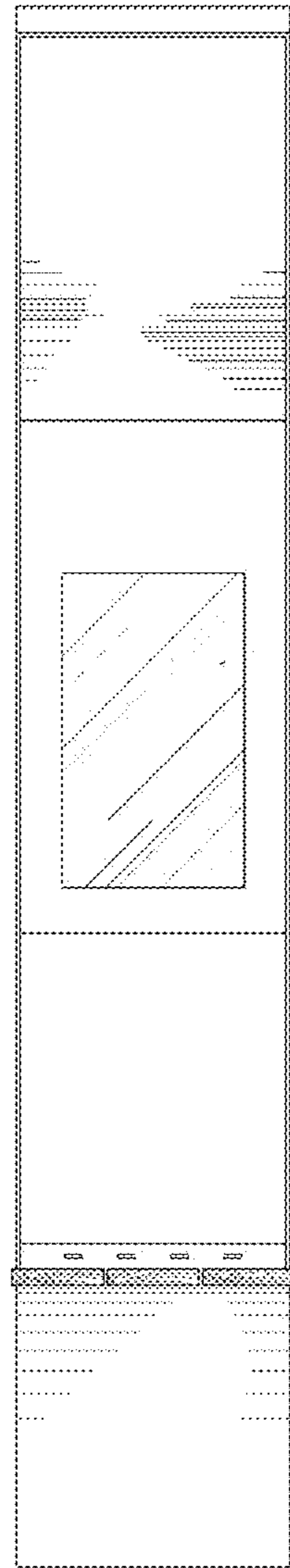


FIG. 5

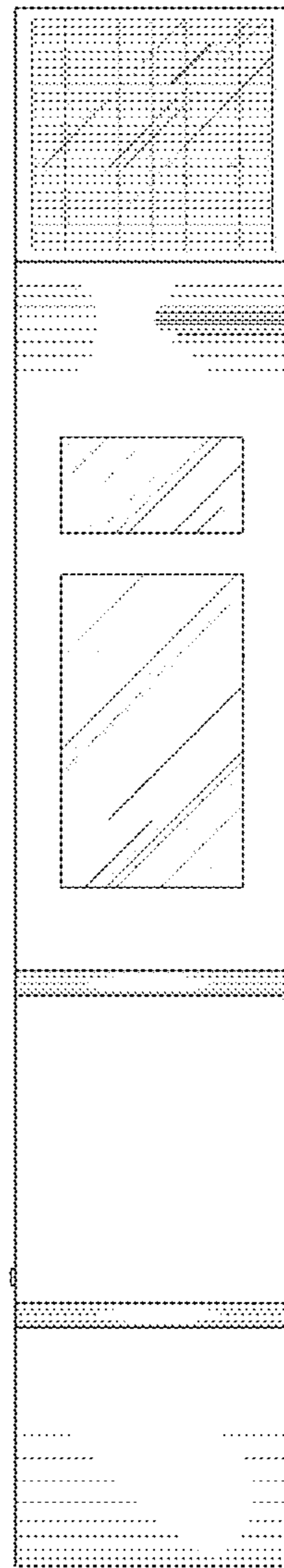


FIG. 6

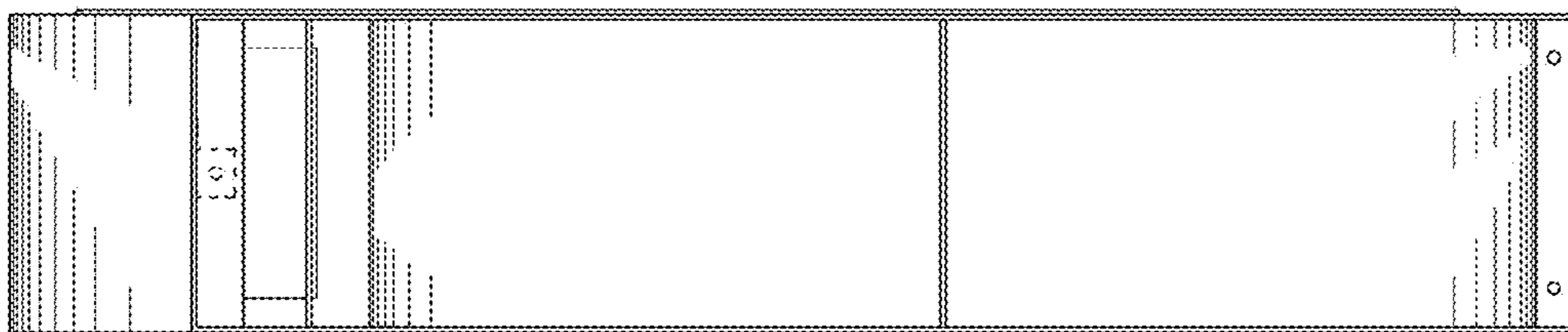


FIG. 7

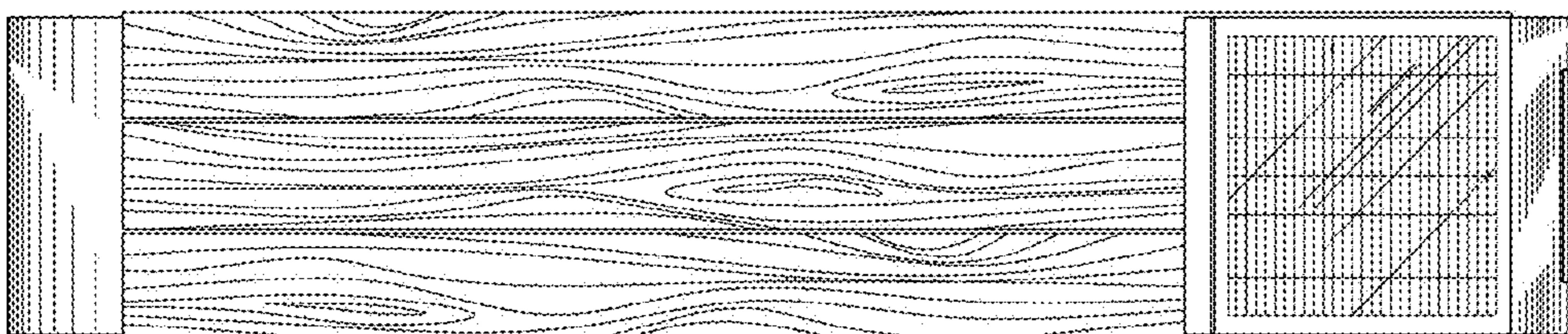


FIG. 8