



US00D763581S

(12) **United States Design Patent**
Zemel et al.

(10) **Patent No.:** **US D763,581 S**
(45) **Date of Patent:** **** Aug. 16, 2016**

(54) **GRILL BRUSH**

(71) Applicant: **BLUE RHINO GLOBAL SOURCING, INC.**, Liberty, MO (US)

(72) Inventors: **Marc Zemel**, Melville, NY (US); **Adam Schillen**, Dix Hills, NY (US)

(73) Assignee: **BLUE RHINO GLOBAL SOURCING, INC.**, Liberty, MO (US)

(**) Term: **14 Years**

(21) Appl. No.: **29/523,932**

(22) Filed: **Apr. 15, 2015**

(51) **LOC (10) Cl.** **04-04**

(52) **U.S. Cl.**
USPC **D4/138**

(58) **Field of Classification Search**
USPC D4/100, 102, 127-135, 136, 138, 199;
D7/393; D8/47, 75, 82, 83, 107, 300,
D8/307-313; D9/723-729; D19/100, 108,
D19/115, 125; D24/200, 211, 214
CPC A46B 5/00; A46B 5/02; A46B 5/021;
A46B 9/00; A46B 9/02; A46B 9/021; A46B
9/023; A46B 9/025; A46B 9/026; A46B
9/028; A46B 11/00; A46B 11/0006; A46B
11/001; A46B 13/00; A46B 13/001; A46B
13/02; A46B 13/023; A46B 15/0002; A46B
2200/10; A46B 2200/102; A46B 2200/1033;
A46B 2200/104; A46B 2200/1046; A46B
2200/30; A46B 2200/3006; A46B 2200/3013;
A46B 2200/3033; A46B 2200/3093

See application file for complete search history.

(56) **References Cited**

U.S. PATENT DOCUMENTS

201,688 A 3/1878 Leiner
1,635,970 A 7/1927 Cave
D104,029 S * 4/1937 Gray 15/160

2,167,196 A 7/1939 Bothum
2,186,832 A 1/1940 Hertzberg
D138,896 S 9/1944 Edmonds
D160,736 S * 10/1950 Racicot D4/127
2,891,360 A 6/1959 Duffle
D189,235 S 11/1960 Racina
3,629,895 A 12/1971 Colgan
D223,314 S 4/1972 Goldfeder
D236,071 S 7/1975 Zemke
4,056,863 A 11/1977 Gunjian

(Continued)

OTHER PUBLICATIONS

KitchenAid, Triple Action Grill Cleaning Brush, posted at The Home Depot [online], posting date not available [site visited Mar. 18, 2016]. Available from the Internet, <URL: <http://www.homedepot.com/p/KitchenAid-Triple-Action-Grill-Cleaning-Brush-530-0057/206409957>>.*

(Continued)

Primary Examiner — Catheri Oliver-Garcia

Assistant Examiner — Rebekah Caruso

(74) *Attorney, Agent, or Firm* — Carter, DeLuca, Farrell & Schmidt, LLP

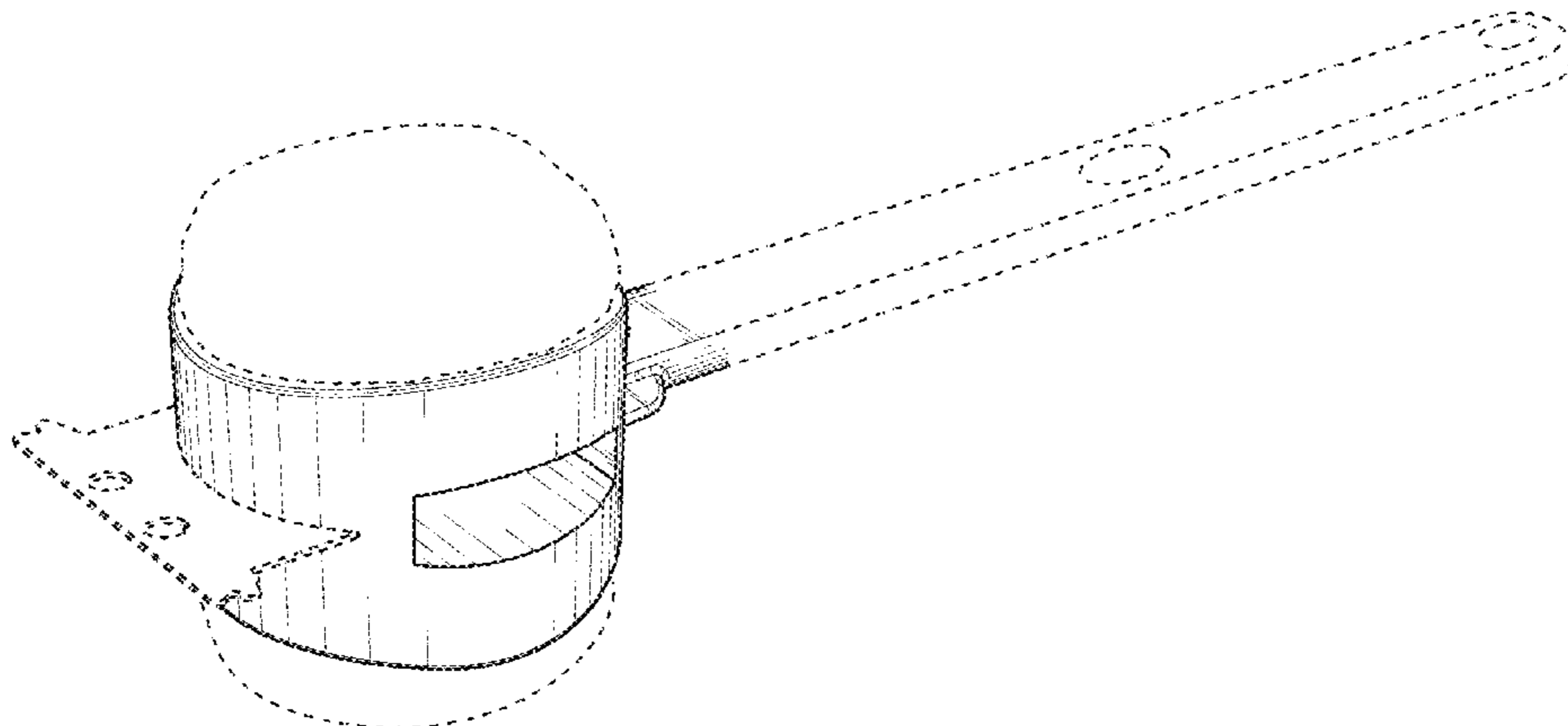
(57) **CLAIM**

The ornamental design for a grill brush, as shown and described.

DESCRIPTION

FIG. 1 is a perspective view of a grill brush in accordance with the present design;
FIG. 2 is a left side elevational view thereof;
FIG. 3 is a right side elevational view thereof;
FIG. 4 is a front elevational view thereof;
FIG. 5 is a rear elevational view thereof;
FIG. 6 is a top plan view thereof; and,
FIG. 7 is a bottom plan view thereof.
The broken lines shown in the drawings illustrate portions of the grill brush that form no part of the claimed design.

1 Claim, 4 Drawing Sheets



(56)

References Cited

U.S. PATENT DOCUMENTS

D247,075 S * 1/1978 Krusche 15/111
 4,091,579 A 5/1978 Giangiulio
 4,146,943 A 4/1979 Wertheimer et al.
 4,730,949 A 3/1988 Wilson
 D344,634 S 3/1994 Berti
 D345,653 S 4/1994 Joyner et al.
 D346,698 S * 5/1994 Hinnant 401/140
 D349,193 S * 8/1994 Sloan D32/42
 D355,529 S 2/1995 Tsai
 D358,491 S 5/1995 Hoagland
 D360,763 S 8/1995 Camp et al.
 D362,937 S 10/1995 Camp, Jr. et al.
 5,471,700 A 12/1995 Pereira
 D366,962 S 2/1996 Whitaker
 D369,472 S 5/1996 Laubach, III et al.
 D373,251 S 9/1996 Young
 D381,483 S 7/1997 Hartman
 D392,104 S 3/1998 Berti
 D400,328 S 10/1998 Zemel
 D403,165 S 12/1998 Ferrante et al.
 D422,792 S * 4/2000 Liu D32/42
 D429,889 S 8/2000 Fielding
 D437,691 S 2/2001 Weiss
 6,216,306 B1 4/2001 Esterson et al.
 D455,272 S 4/2002 Zemel
 D456,614 S 5/2002 Zemel
 6,438,784 B1 8/2002 Yu
 6,443,646 B1 9/2002 MacDonald
 D468,107 S 1/2003 Shen
 D487,638 S * 3/2004 Libman D4/138
 D502,001 S 2/2005 Hay
 D502,323 S 3/2005 Zemel
 D522,247 S * 6/2006 Moore D4/124
 D532,609 S 11/2006 Zemel
 D544,213 S 6/2007 Dow et al.
 D544,714 S 6/2007 Zemel
 D547,553 S 7/2007 Borovicka et al.
 D562,563 S 2/2008 Wales
 D563,677 S 3/2008 Zemel
 D589,705 S 4/2009 Zemel
 D590,600 S 4/2009 Dow et al.
 D597,740 S 8/2009 Borovicka et al.
 D601,345 S 10/2009 Wales
 D601,346 S 10/2009 Wales
 D601,347 S 10/2009 Wales
 D601,350 S 10/2009 Wales

D601,808 S 10/2009 Wales
 7,632,033 B2 12/2009 Wales
 D616,204 S 5/2010 Zemel
 D632,088 S 2/2011 Zemel
 7,909,526 B2 3/2011 Wales
 8,032,974 B2 10/2011 Carpenter
 D650,590 S 12/2011 Carlson et al.
 D652,629 S 1/2012 Zemel
 D653,036 S * 1/2012 Fifer D4/106
 D654,272 S 2/2012 Zemel
 D655,511 S 3/2012 Zemel
 D658,894 S 5/2012 Zemel
 D661,906 S 6/2012 Zemel
 D663,125 S 7/2012 Zemel
 D663,531 S 7/2012 Zemel
 D664,363 S 7/2012 Rothman
 D665,178 S 8/2012 Zemel
 D690,115 S 9/2013 Zemel et al.
 D690,116 S 9/2013 Zemel et al.
 D695,019 S 12/2013 Zemel et al.
 D699,037 S * 2/2014 Morrison D4/127
 D699,949 S * 2/2014 Zemel D4/127
 8,713,739 B1 * 5/2014 Alas A46B 5/0095
 15/28

2003/0070246 A1 4/2003 Cavalheiro
 2005/0011029 A1 1/2005 Yu
 2009/0188061 A1 7/2009 Cybulski et al.

OTHER PUBLICATIONS

Mr. Bar-B-Q, 06440X Deluxe Triple Action Grill Brush, posted at Amazon [online], posting date not available [site visited Mar. 18, 2016]. Available from the Internet, <URL: http://www.amazon.com/dp/B009UWL0MC/ref=asc_df_B009UWL0MC4208610?smid=ATVPDKIKX0DER&tag=merbethomgarbhg-20&linkCode=df0&creative=395093&creativeASIN=B009UWL0MC&ascsubtag=4004009>.*
 Grill Zone, Barbecue Brush & Scrubber, Long Handle, posted at TrueValue.com [online], posting date not available [site visited Mar. 18, 2016]. Available from the Internet, <URL: <http://www.truevalue.com/product/Barbecue-Brush-Scrubber-Long-Handle/61711.uts>>.*
 America's Best Barbecue Grill Pro Abrasive Scrubbing Brush—Item # 71448, [online]. America's Best Barbecue, Inc., 2006 [retrieved on May 31, 2013] Retrieved using Internet Archive: http://archive.org/web/20060615000000*/http://www.americasbestbbq.com.
 Zemel, Design U.S. Appl. No. 291496698, filed Jul. 16, 2014.
 Zemel, Design U.S. Appl. No. 291517791, filed Feb. 17, 2015.

* cited by examiner

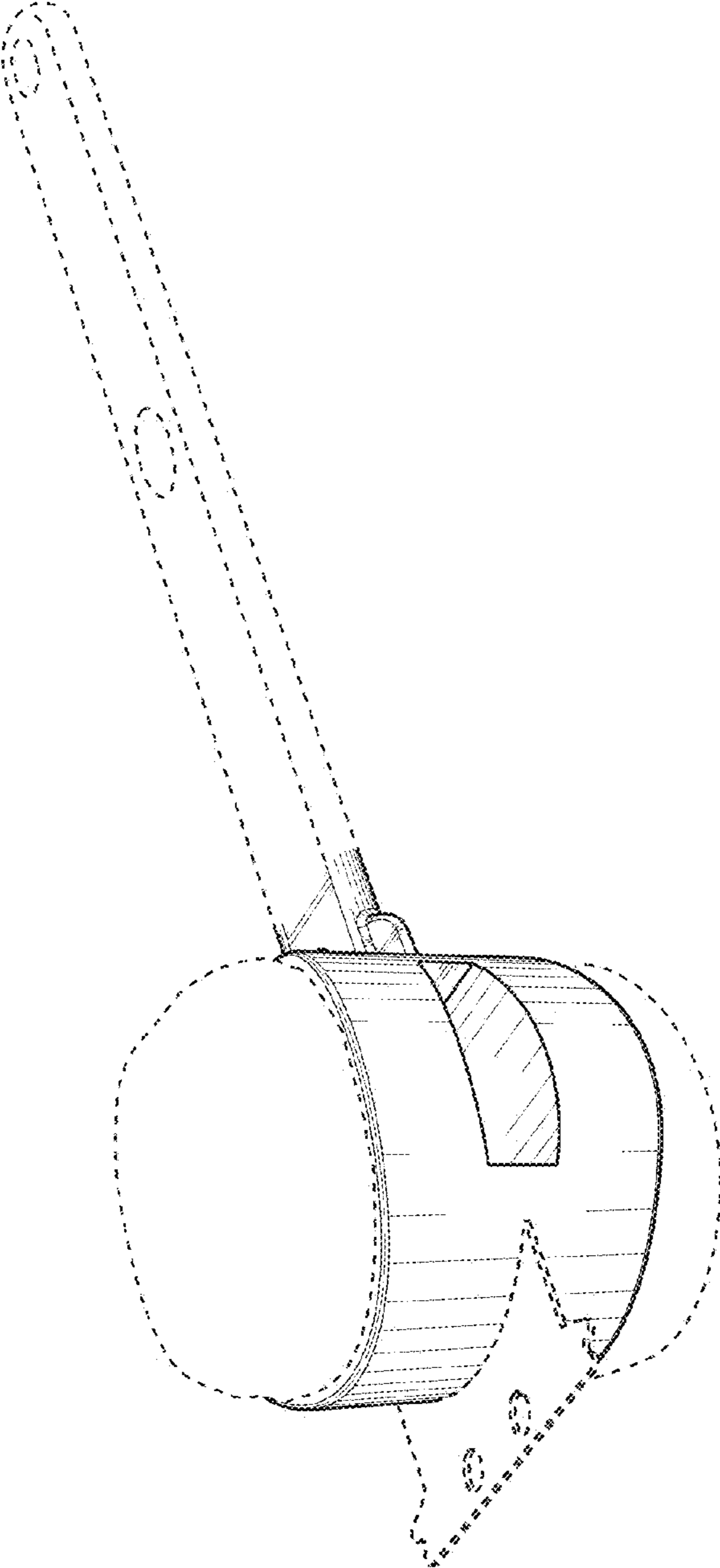


FIG. 1

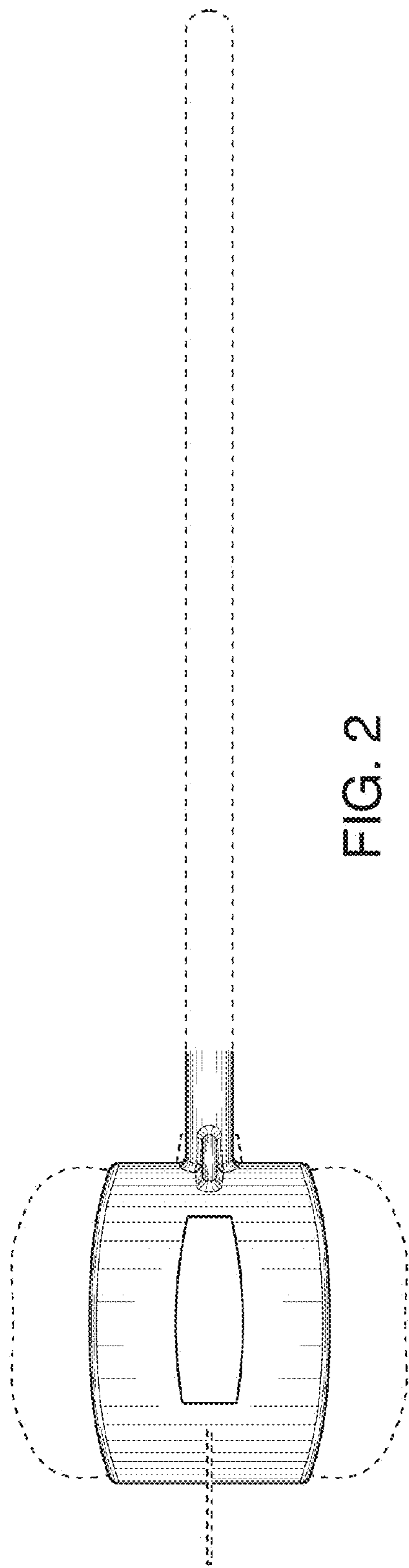


FIG. 2

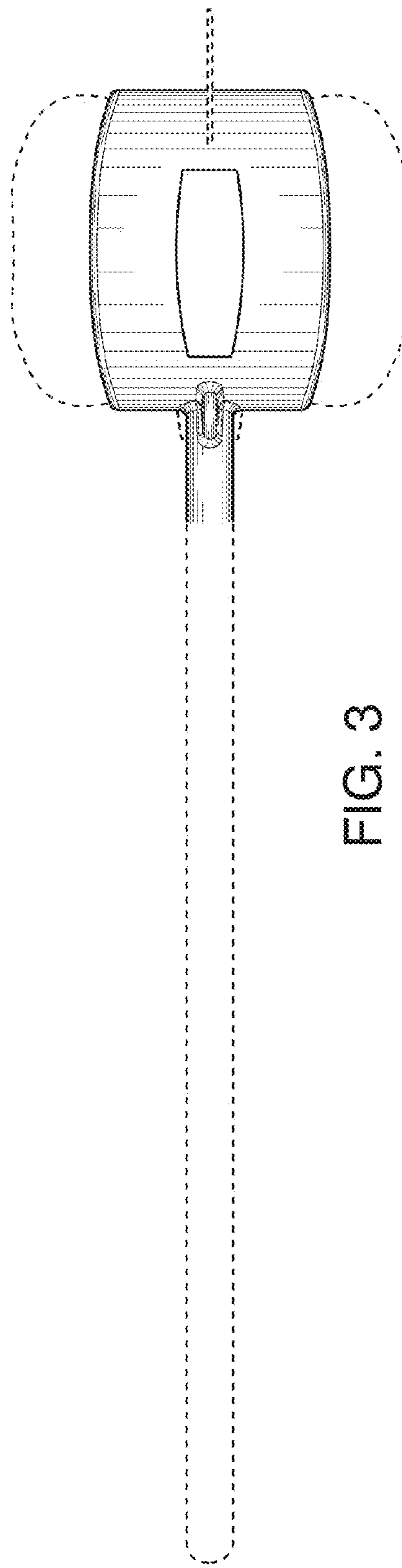


FIG. 3

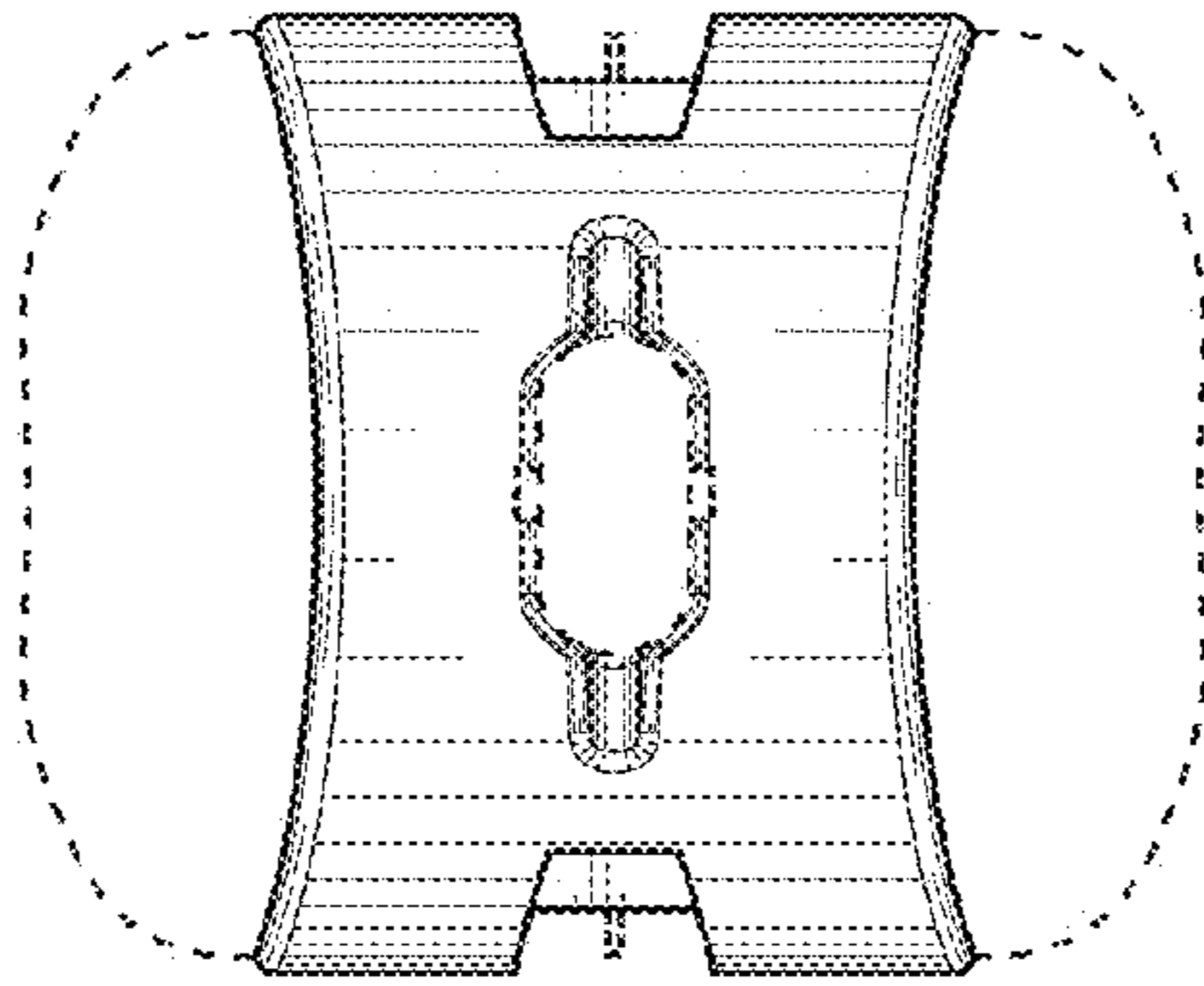


FIG. 5

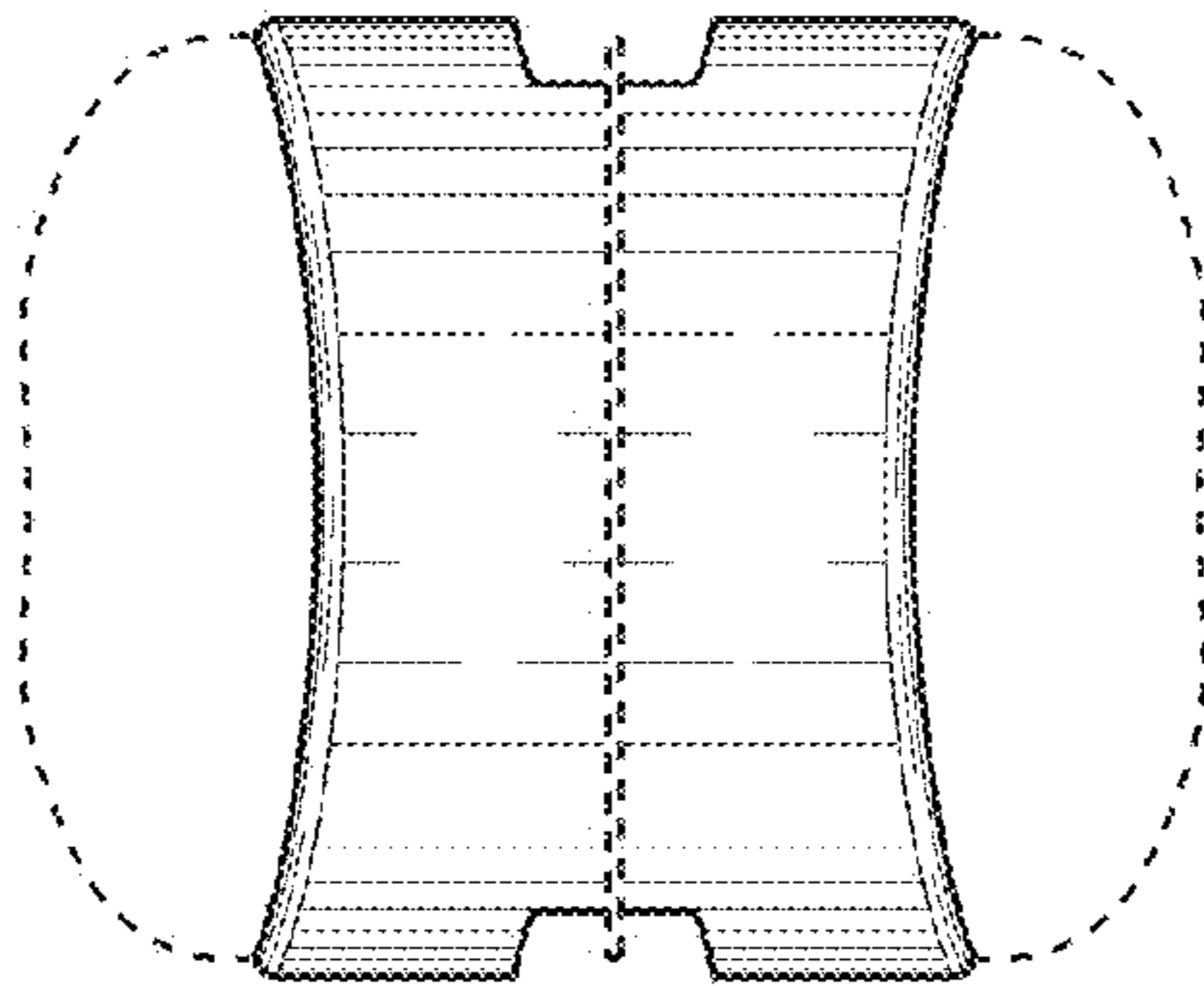


FIG. 4

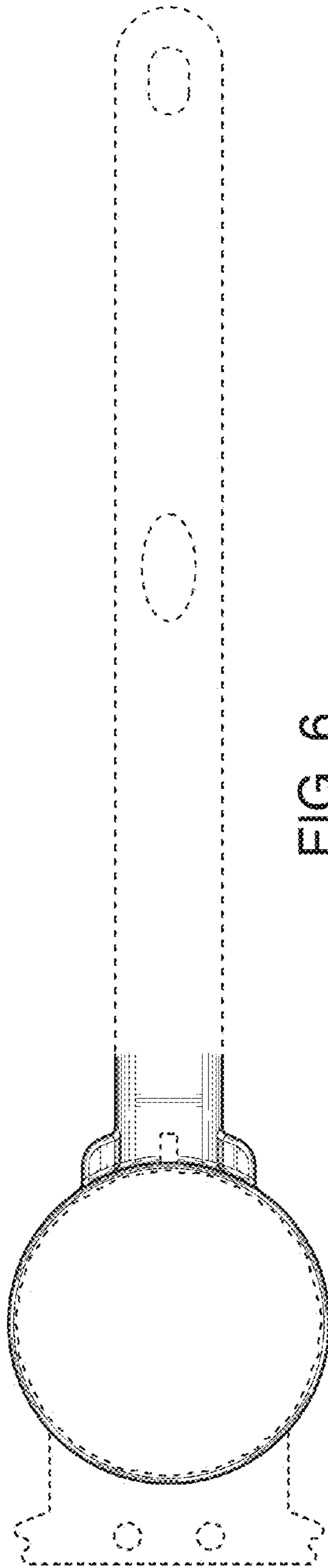


FIG. 6

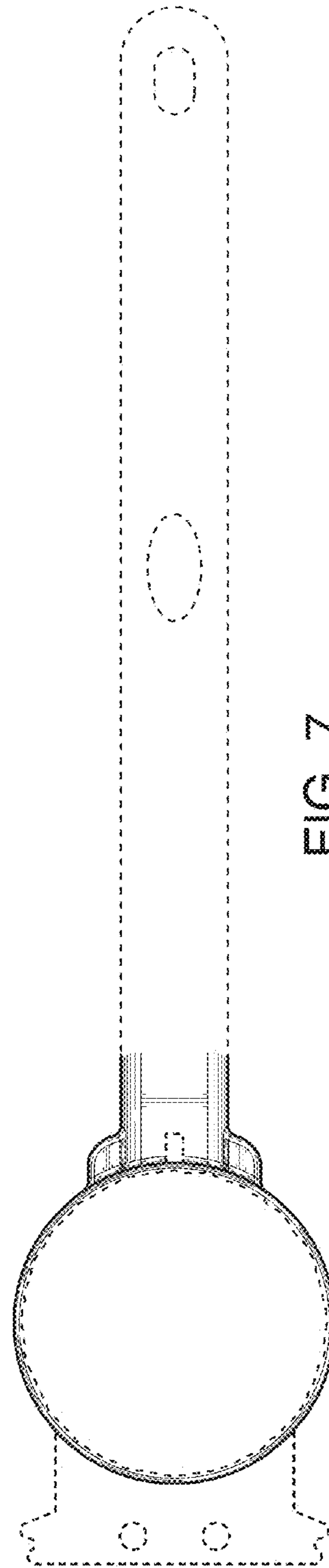


FIG. 7