



US00D763552S

(12) **United States Design Patent**
Lin

(10) **Patent No.:** **US D763,552 S**
(45) **Date of Patent:** **** Aug. 16, 2016**

(54) **CAP WITH CHANGEABLE BRIM AND SNAP FASTENER COVERS**

(71) Applicant: **Paul Lin**, Chino, CA (US)

(72) Inventor: **Paul Lin**, Chino, CA (US)

(**) Term: **14 Years**

(21) Appl. No.: **29/499,575**

(22) Filed: **Aug. 15, 2014**

(51) **LOC (10) Cl.** **02-03**

(52) **U.S. Cl.**
USPC **D2/891**

(58) **Field of Classification Search**
USPC D2/865, 866, 868, 869, 871, 872, 873,
D2/875, 876, 878, 879, 882, 886, 891, 892,
D2/893, 895
CPC A42B 1/00; A42B 1/002; A42B 1/004;
A42B 1/006; A42B 1/06; A42B 1/061;
A42B 1/062; A42B 1/063; A42B 1/064;
A42B 1/065; A42B 1/068; A42B 1/18;
A42B 1/205; A42B 1/22; A42B 1/24; A42C
5/00
See application file for complete search history.

(56) **References Cited**

U.S. PATENT DOCUMENTS

5,003,639	A	4/1991	White	
5,070,545	A *	12/1991	Tapia	A42B 1/064 2/10
5,233,703	A	8/1993	Galka	
5,287,559	A *	2/1994	Christiansen	A42B 1/248 2/181
5,410,761	A	5/1995	Connelly	
D361,197	S	8/1995	Wilson	
D363,620	S	10/1995	Schweppe	
5,471,684	A *	12/1995	Casale	A42B 1/064 2/10
5,592,696	A	1/1997	Oliver	
5,613,246	A *	3/1997	Alexander	A42B 1/064 2/10
5,659,896	A	8/1997	Taylor	
5,701,607	A	12/1997	Kaiser	

5,956,773	A	9/1999	LaMantia	
6,044,495	A	4/2000	Ellman	
6,081,933	A *	7/2000	Partsch, IV	A42B 3/003 2/195.1
6,272,689	B1 *	8/2001	Kronenberger	A42B 1/248 2/175.1
D488,293	S *	4/2004	Norway, Jr.	D2/882
6,766,538	B2	7/2004	Park	
7,472,429	B1	1/2009	Lawrence	

(Continued)

OTHER PUBLICATIONS

“Brimzz Hats Makes a Cap for All Seasons with Interchangeable Brims,” article posted on-line on Dec. 16, 2013 by Joe Taschler. Retrieved from the internet on Apr. 7, 2016. URL: <http://www.jsonline.com/business/brimzz-hats-makes-a-cap-for-all-seasons-with-interchangeable-brims-b99163425z1-236131971.html>. (4 pages).*

Primary Examiner — Karen E. Eldridge Powers

Assistant Examiner — Jasmine Mlinarcik

(74) *Attorney, Agent, or Firm* — Kirk A. Buhler; Buhler & Associates

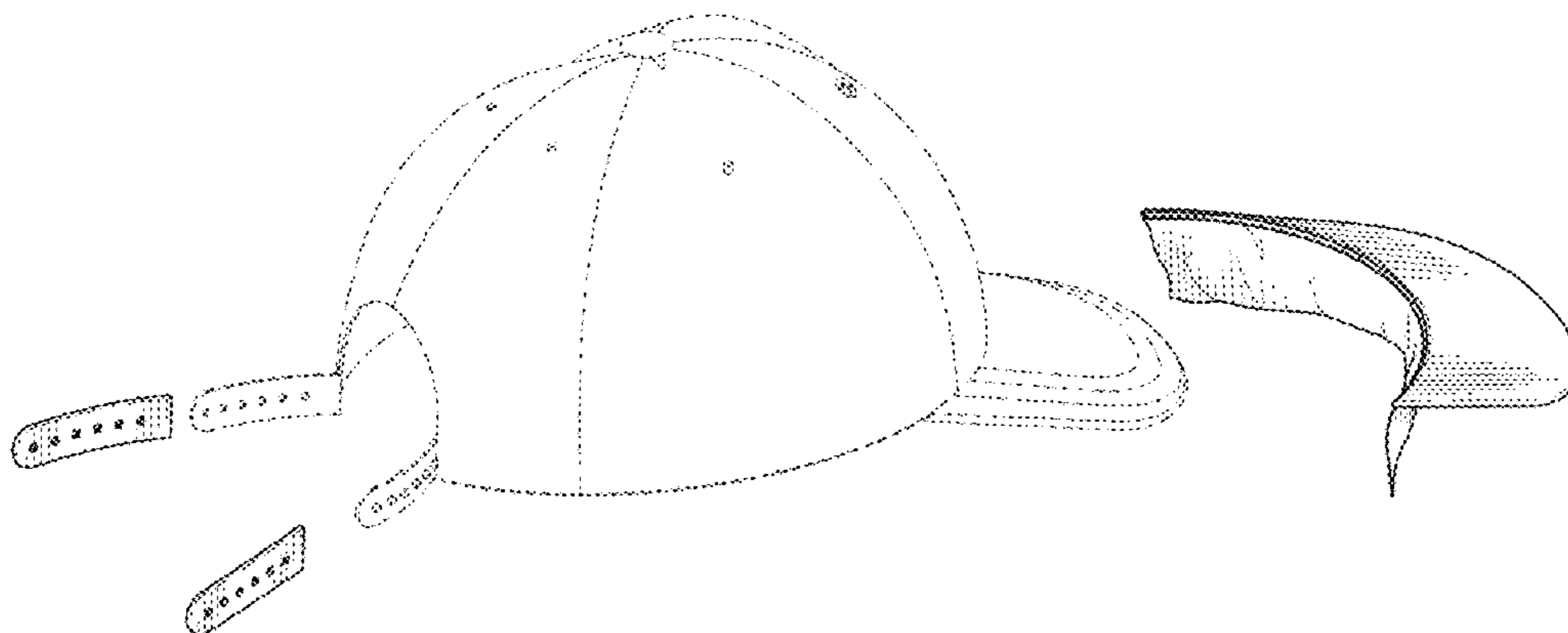
(57) **CLAIM**

The ornamental design for a cap with changeable brim and snap fastener covers, as shown and described.

DESCRIPTION

FIG. 1 is a top perspective view for a cap with changeable brim and snap fastener covers showing my new design; FIG. 2 is a front side elevation view thereof; FIG. 3 is a rear side elevation view thereof; FIG. 4 is a left side elevation view thereof; FIG. 5 is a right side elevation view thereof; FIG. 6 is a top side plan view thereof; FIG. 7 is a bottom side plan view thereof; and, FIG. 8 is an exploded side perspective view showing the cap with changeable brim and snap fastener covers. The cap depicted in broken lines in FIGS. 1-8 illustrates environmental subject matter that forms no part of the claimed invention.

1 Claim, 6 Drawing Sheets



(56)

References Cited

U.S. PATENT DOCUMENTS

7,581,261	B2 *	9/2009	Cho	A42B 1/062 2/183
D605,852	S	12/2009	Yusufov		
D618,446	S	6/2010	Clare		
8,191,175	B1	6/2012	White		
D710,074	S *	8/2014	Cho	D2/882
D724,821	S *	3/2015	Kim	D2/892
9,161,584	B1 *	10/2015	Garrett, Jr.	A42B 1/004
2006/0174397	A1 *	8/2006	Taguchi	A42B 1/062 2/195.6
2013/0205473	A1 *	8/2013	Kronenberger	A42B 1/248 2/209.13
2015/0113708	A1 *	4/2015	Hill	A42B 1/063 2/244
2015/0135406	A1 *	5/2015	Nguyen	A42B 1/205 2/209.12

* cited by examiner

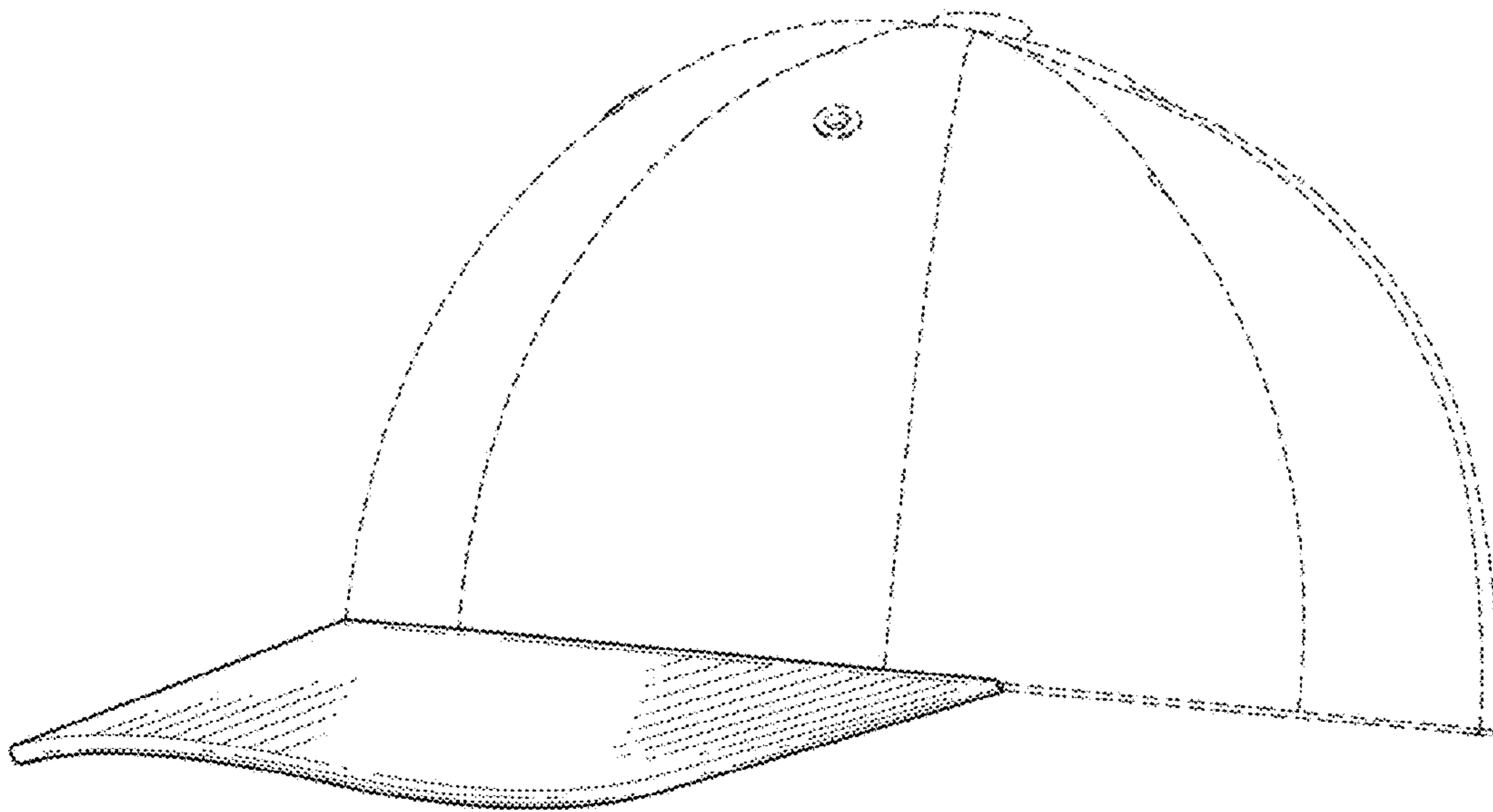


FIG. 1

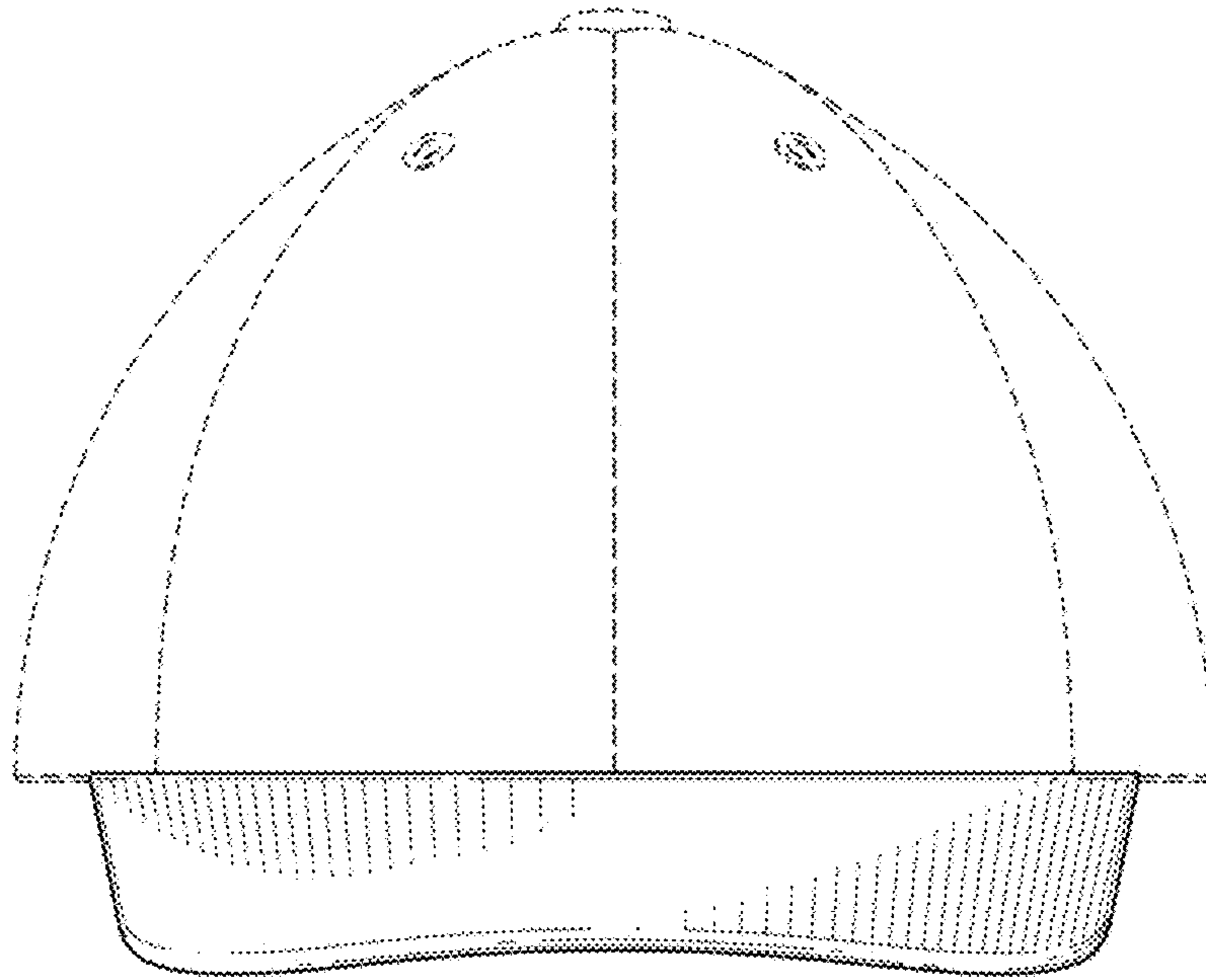


FIG. 2

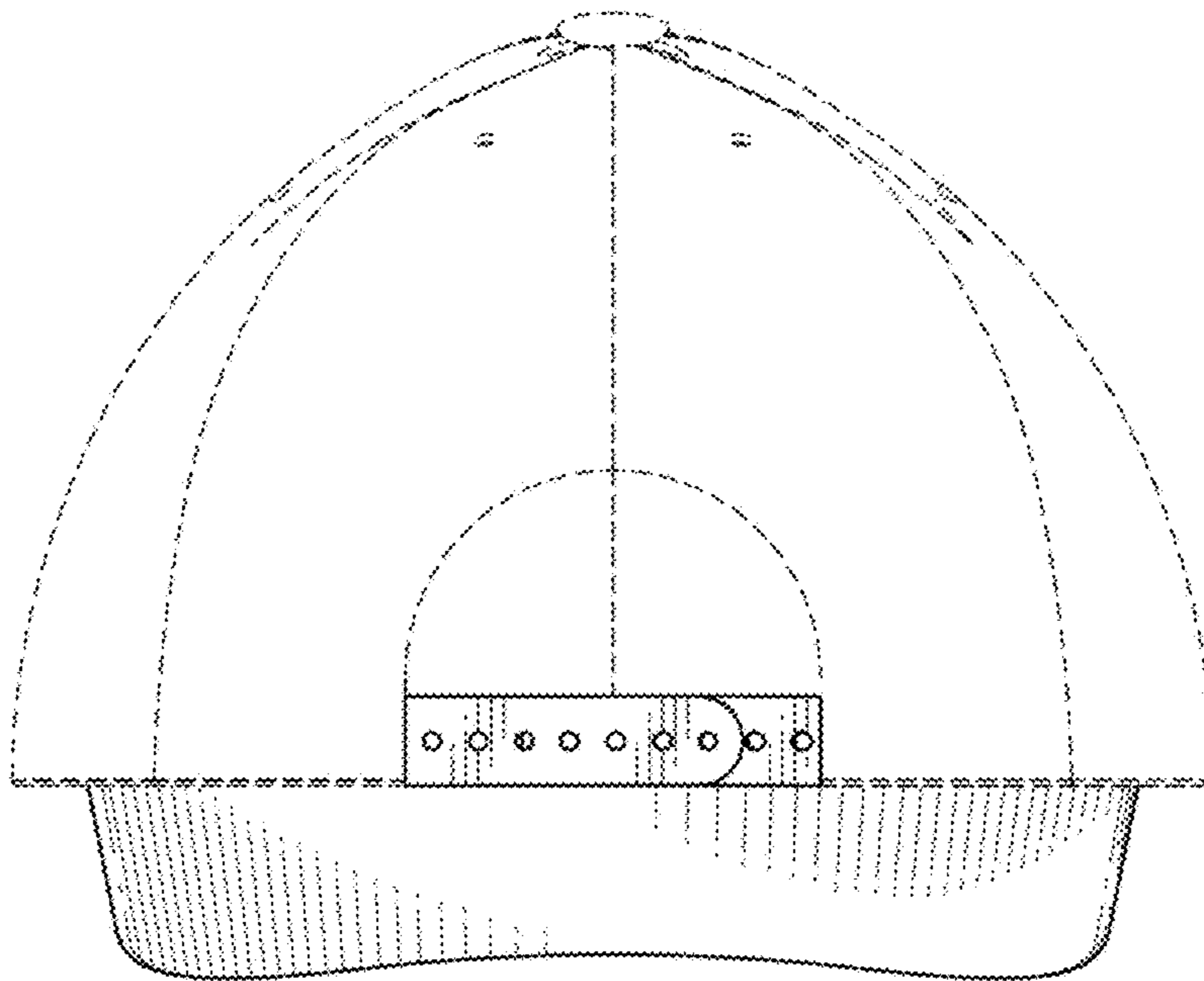


FIG. 3

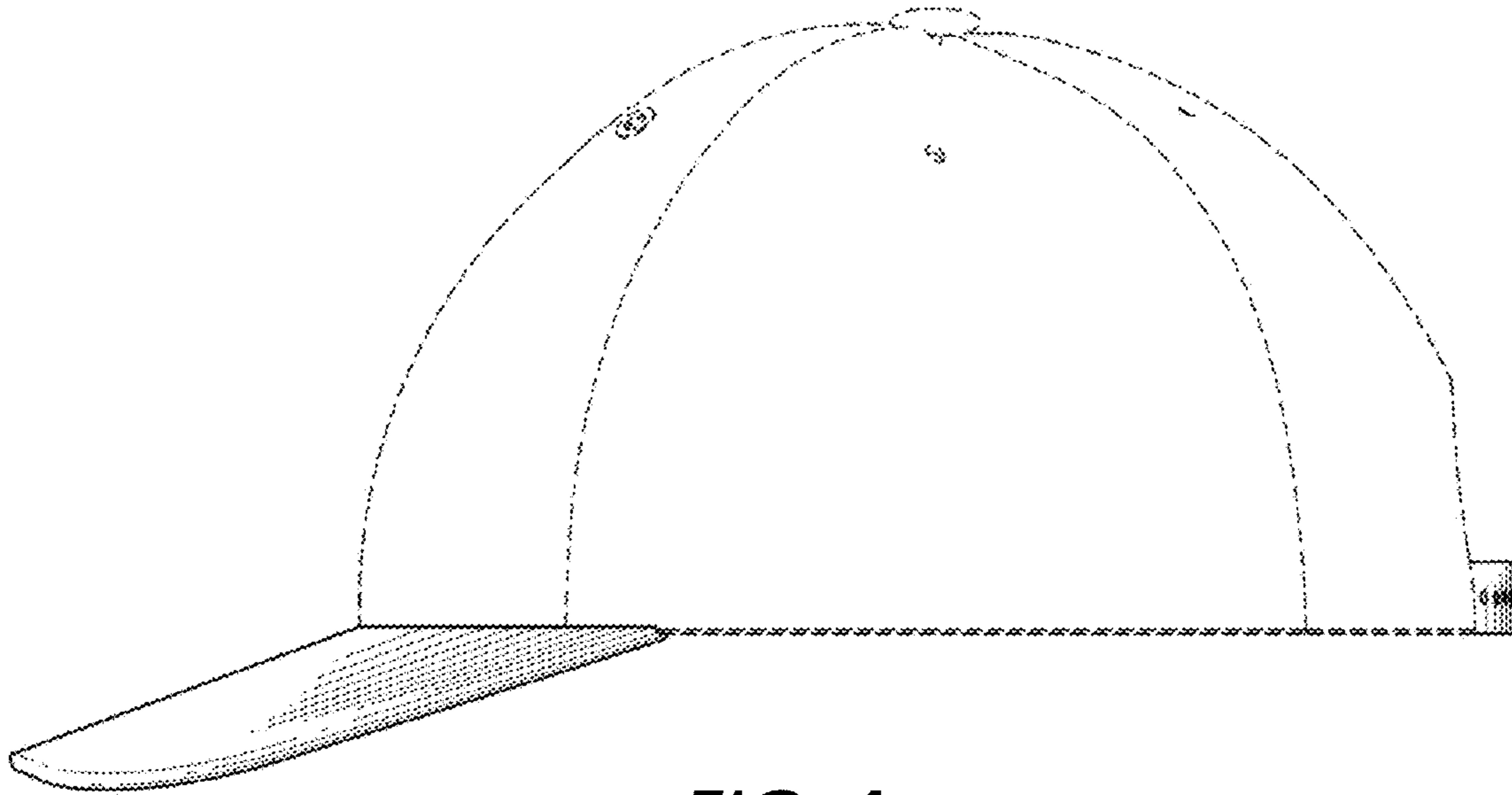


FIG. 4

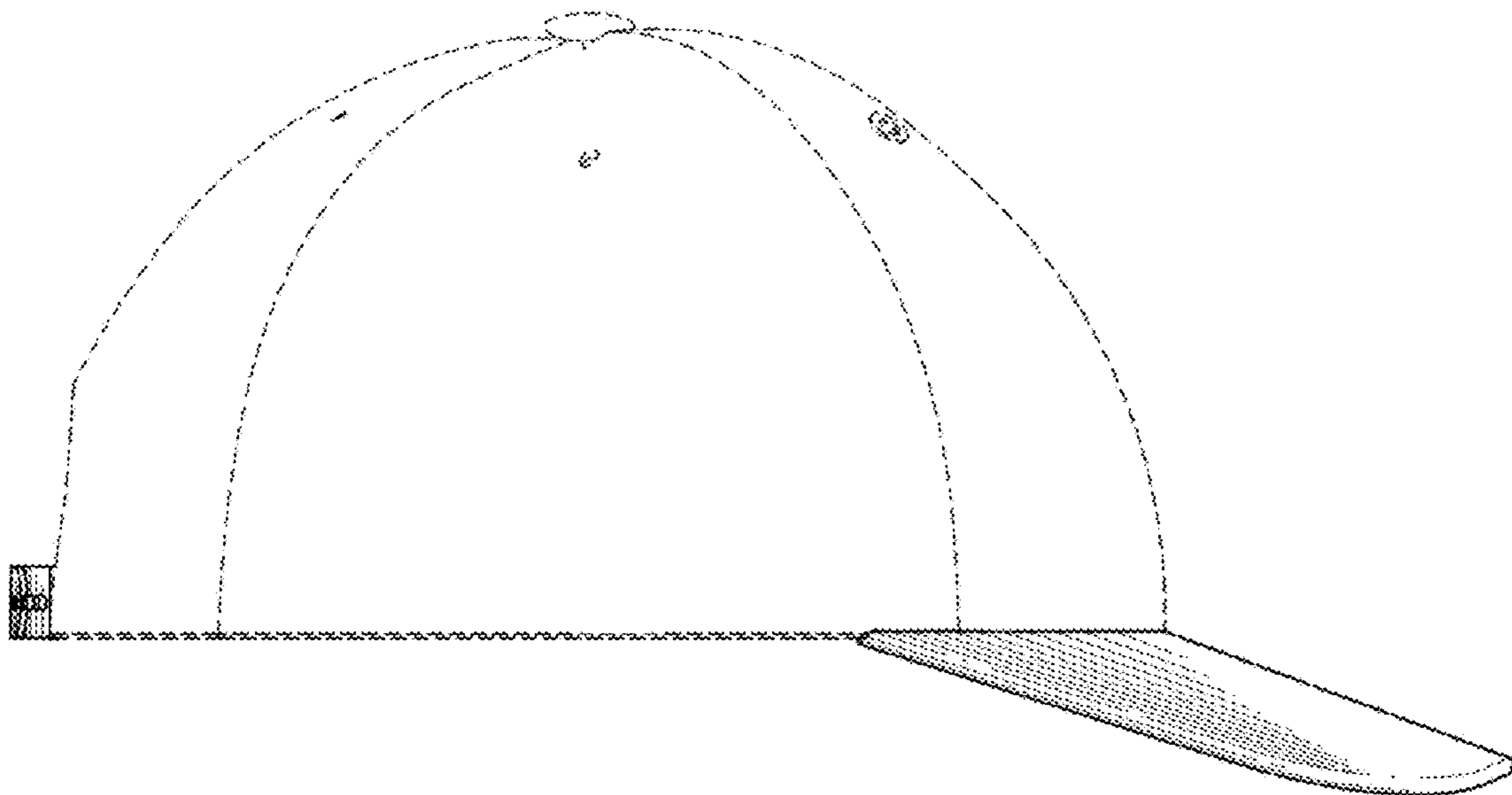


FIG. 5

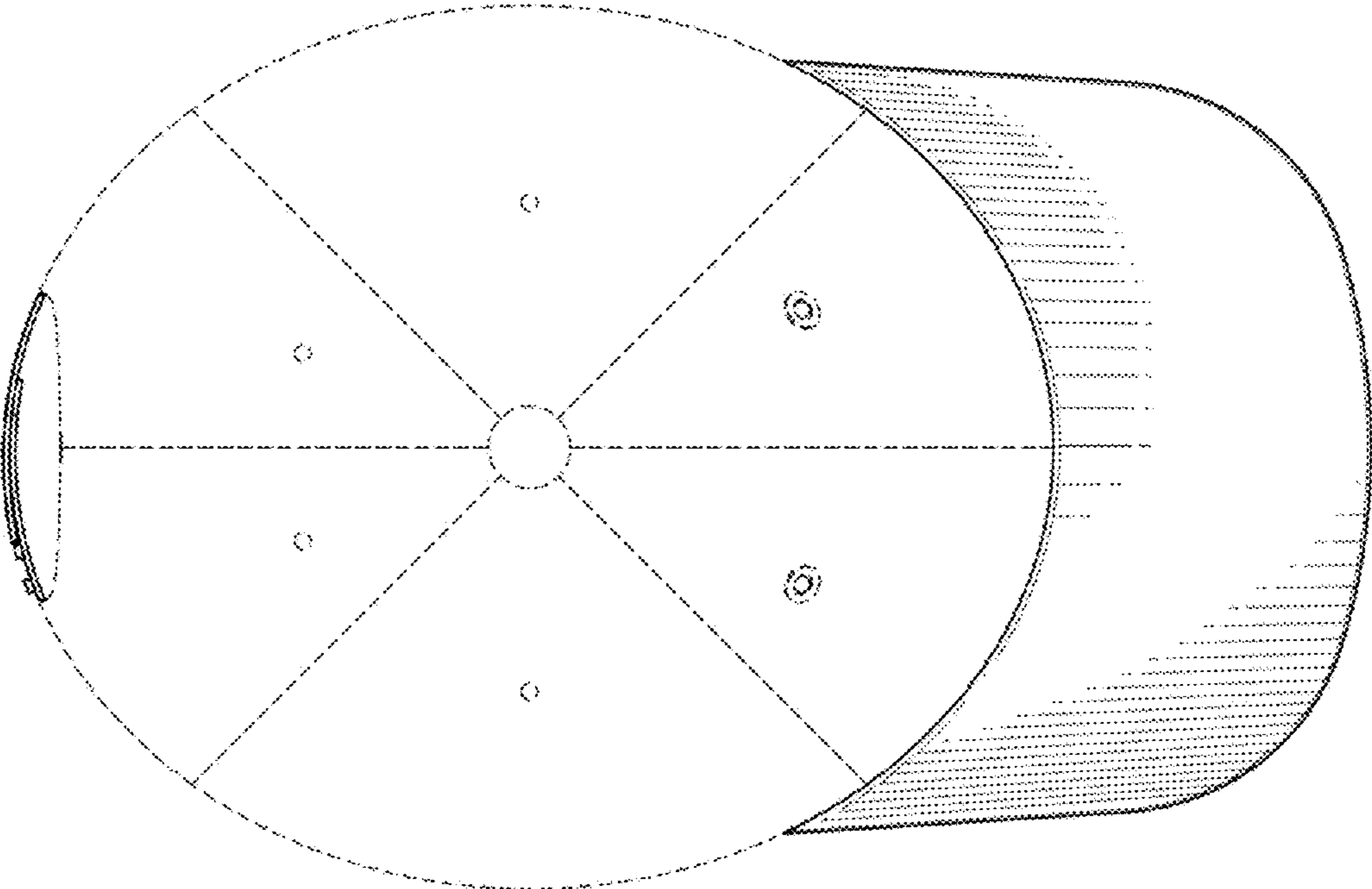


FIG. 6

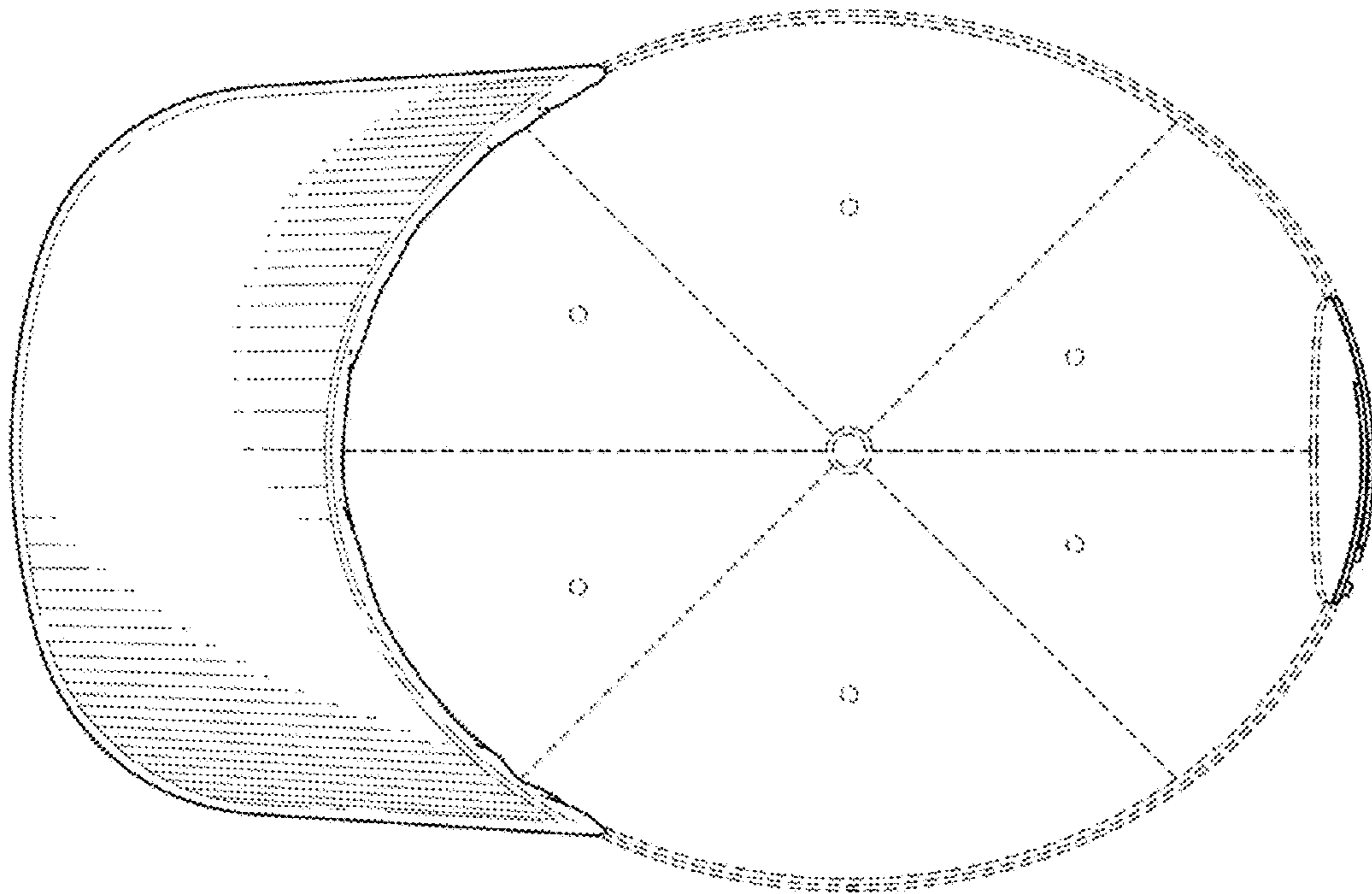


FIG. 7

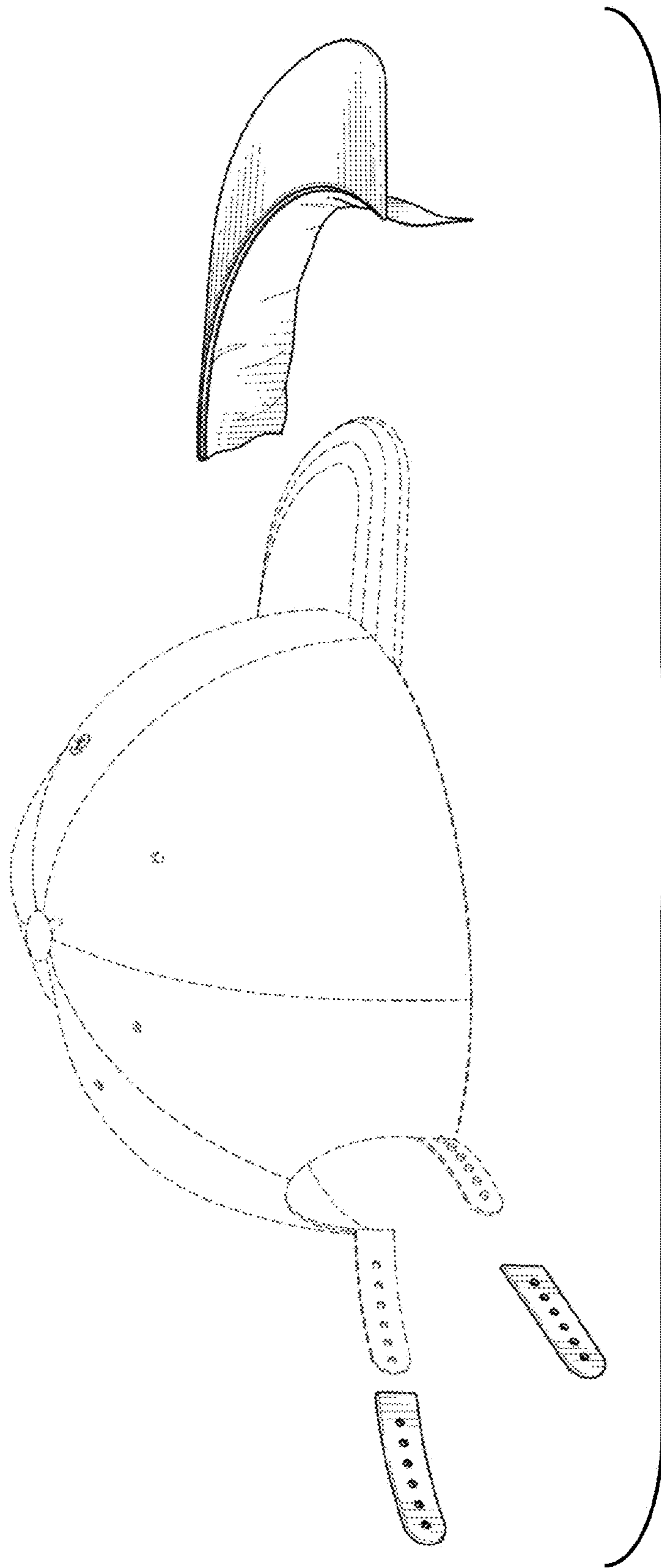


FIG. 8