

US00D763548S

(12) **United States Design Patent**
Harmande

(10) **Patent No.:** **US D763,548 S**

(45) **Date of Patent:** **** Aug. 16, 2016**

(54) **BATHING SUIT DESIGN**

(71) Applicant: **Carol Harmande**, Brick, NJ (US)

(72) Inventor: **Carol Harmande**, Brick, NJ (US)

(**) Term: **14 Years**

(21) Appl. No.: **29/514,251**

(22) Filed: **Jan. 21, 2015**

(51) **LOC (10) Cl.** **02-02**

(52) **U.S. Cl.**
USPC **D2/731**

(58) **Field of Classification Search**
USPC D2/700, 731, 735, 738, 742, 745;
2/69-79
CPC A41D 7/00; A41D 2400/38
See application file for complete search history.

(56) **References Cited**

U.S. PATENT DOCUMENTS

D508,157 S *	8/2005	Chen	D2/731
D562,528 S *	2/2008	Deal	D2/700
D600,881 S *	9/2009	Naylor	D2/731
D601,326 S *	10/2009	DiFrancesco	D2/731
D733,996 S *	7/2015	Brown	D2/731
2012/0266347 A1 *	10/2012	DiLorenzo	A41D 7/00 2/67
2012/0272427 A1 *	11/2012	Scozzafava	A41D 7/00 2/67

FOREIGN PATENT DOCUMENTS

FR 2871661 A1 * 12/2005 A41C 1/00

* cited by examiner

Primary Examiner — Manpreet Matharu

Assistant Examiner — Keith Wilson

(74) *Attorney, Agent, or Firm* — McCarthy, Lebit, Crystal & Liffman Co., L.P.A.

(57) **CLAIM**

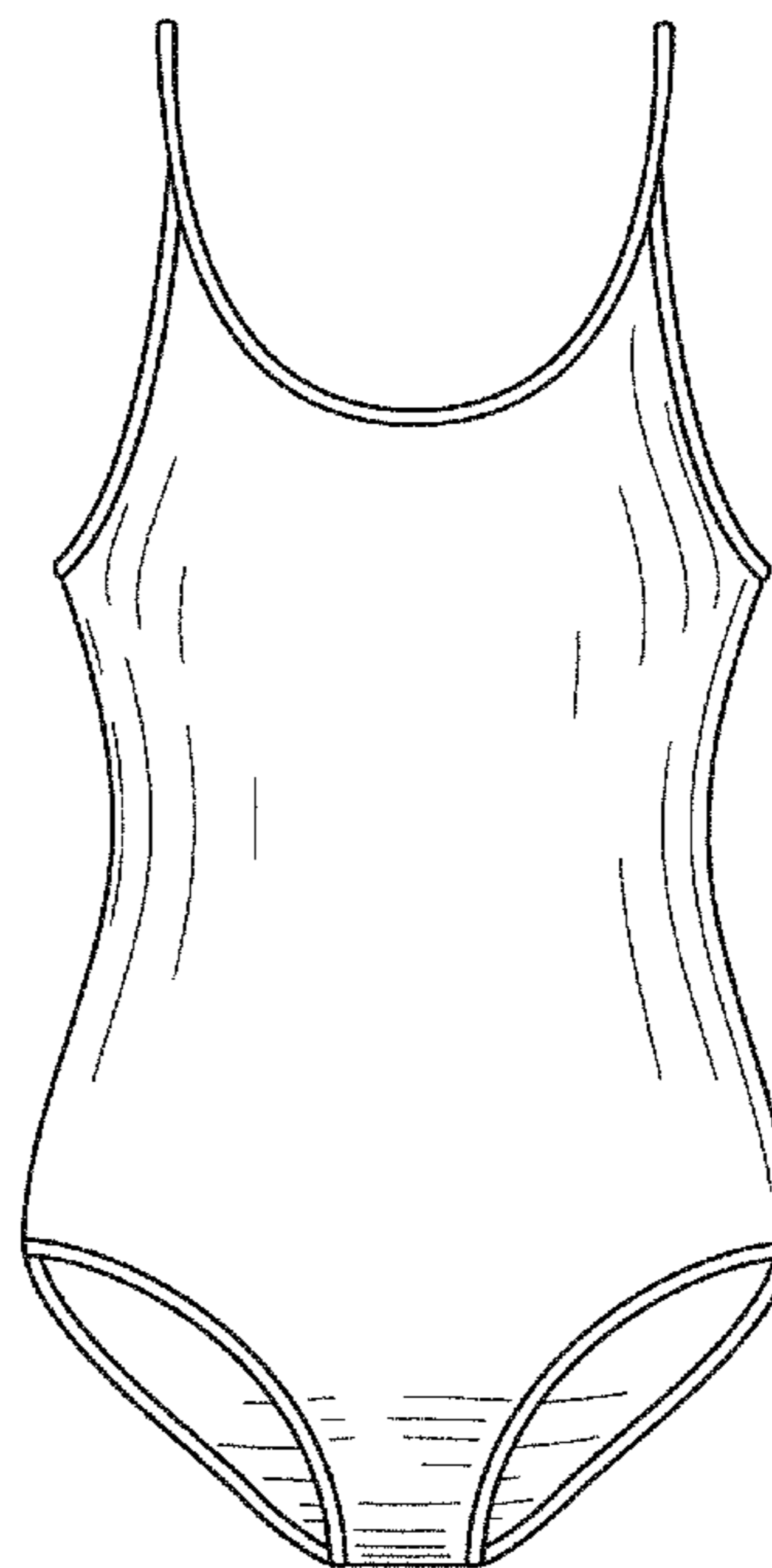
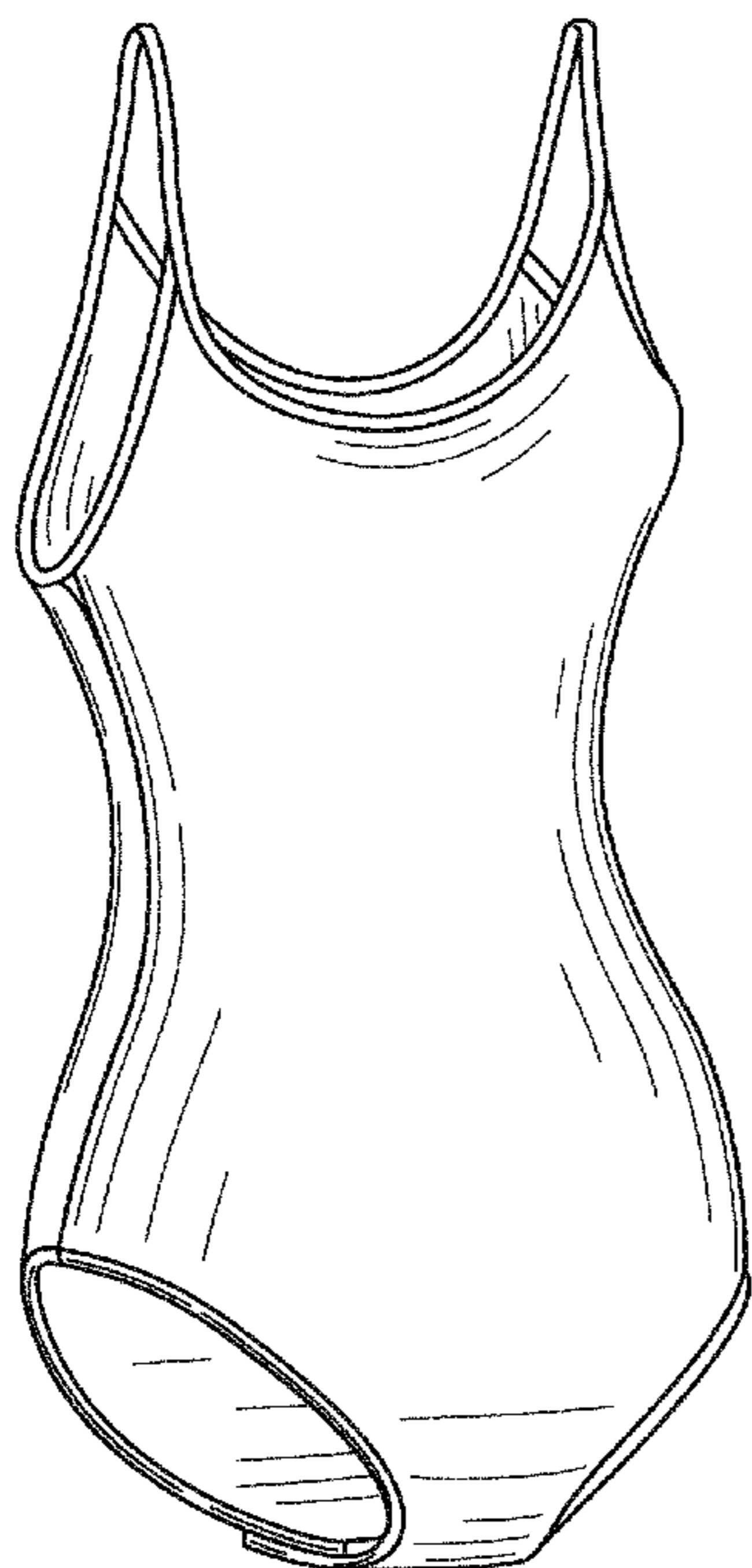
The ornamental design for a bathing suit design, as shown and described.

DESCRIPTION

FIG. 1 is a front perspective view of a bathing suit;
FIG. 2 is a front plan view of the bathing suit;
FIG. 3 is a back plan view of the bathing suit;
FIG. 4 is a side plan view of the bathing suit;
FIG. 5 is a bottom plan view showing the distal surface of the crotch area of the bathing suit in the closed position;
FIG. 6 is a bottom plan view showing the proximal surface of the crotch area of the bathing suit in the open position;
FIG. 7 is a bottom plan view showing the distal surface of the crotch area of the bathing suit in the closed position;
FIG. 8 is a magnified view of the bottom plan view showing the proximal surface of the crotch area of the bathing suit in the open position; and,
FIG. 9 is a magnified view of the bottom plan view showing the distal surface of the crotch area of the bathing suit in the closed position.

In a preferred embodiment, the nature of the product embodying the design is a swimming apparel providing more comfort and ease for females when needing to use bathroom facilities.

1 Claim, 7 Drawing Sheets



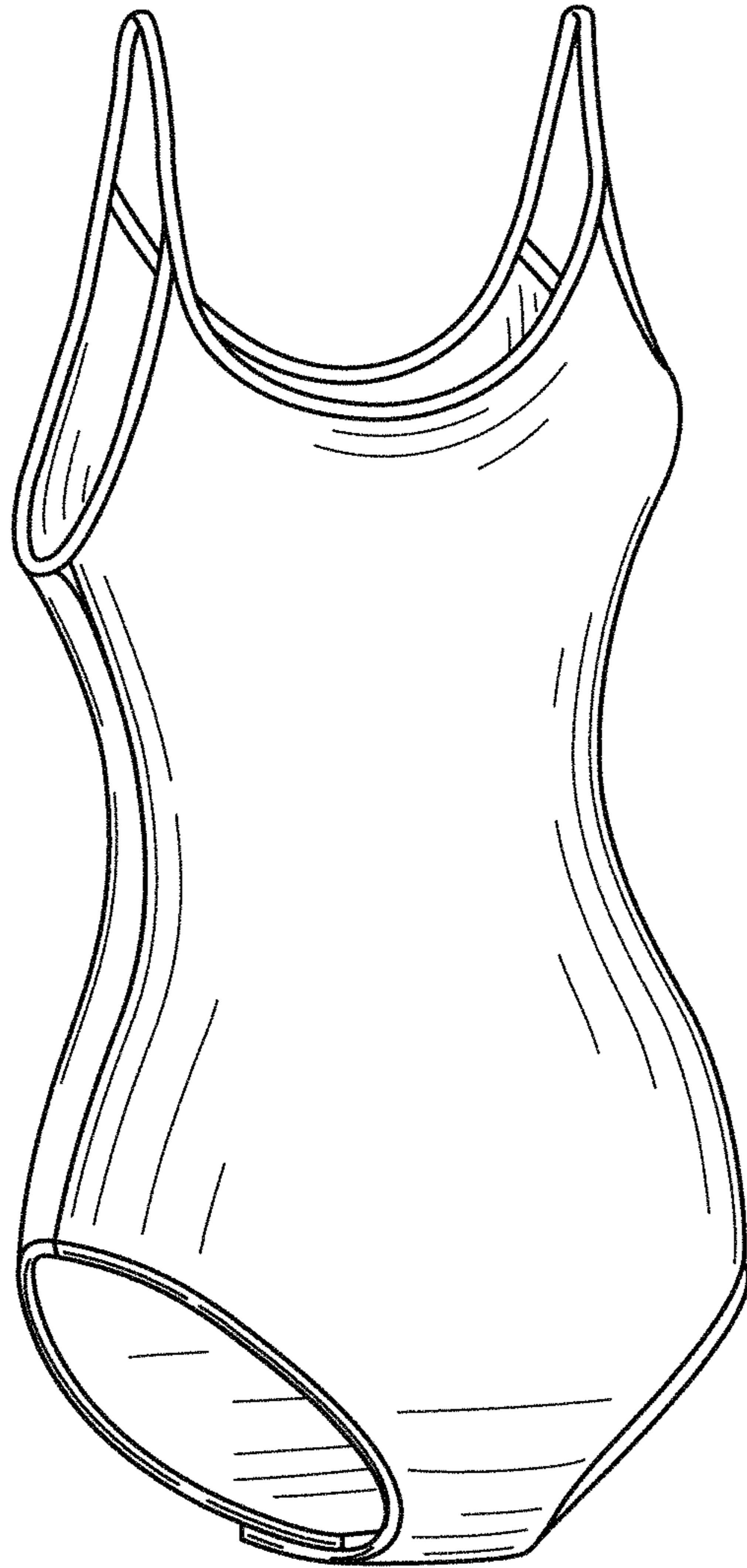


FIG. 1

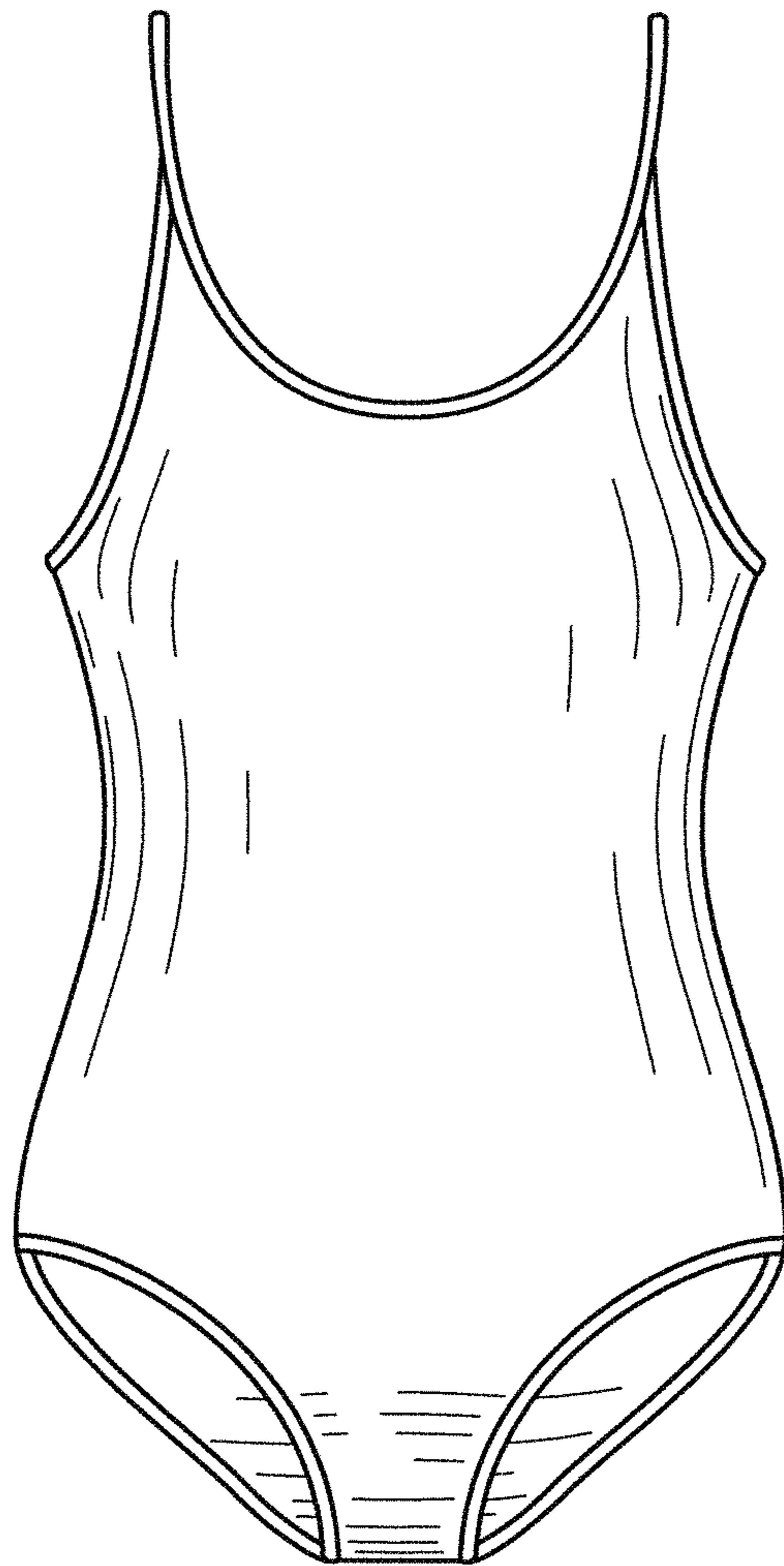


FIG. 2

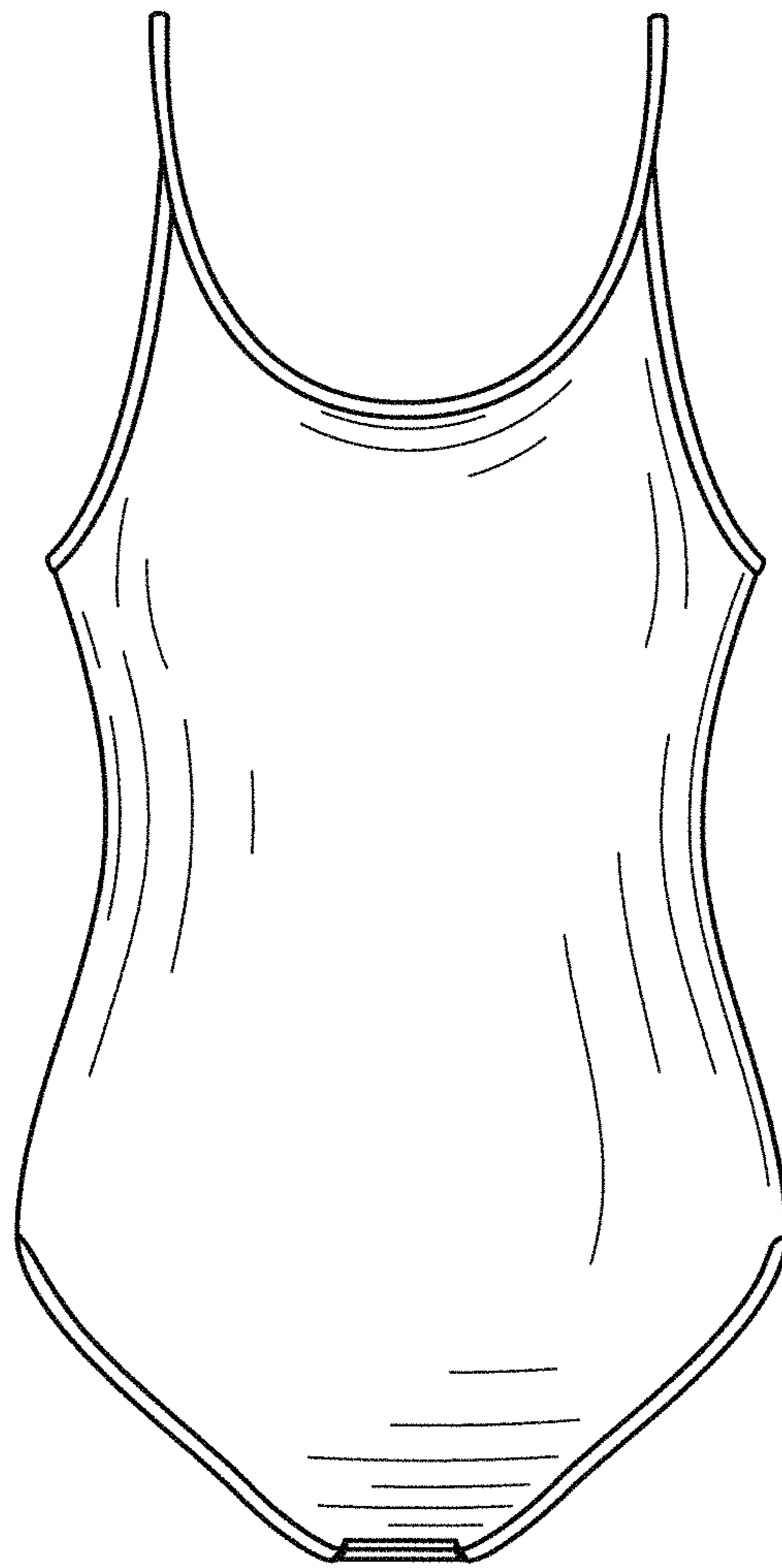


FIG. 3

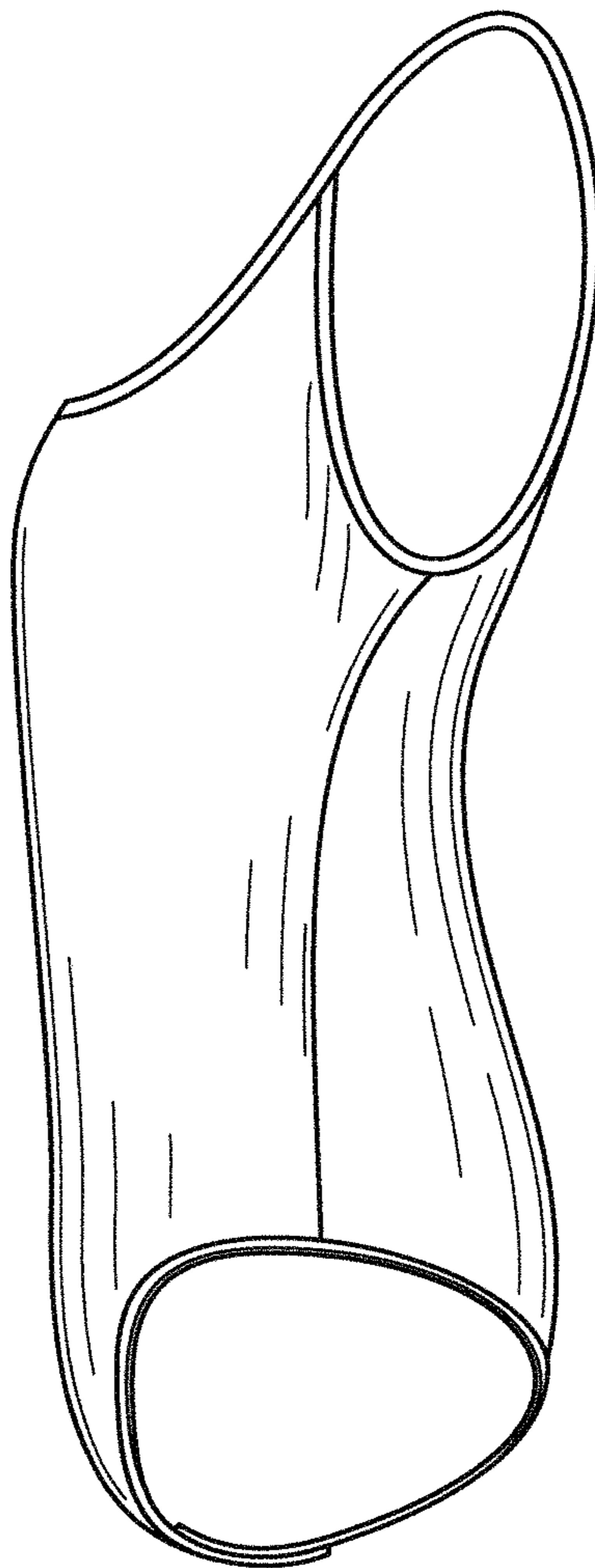


FIG. 4

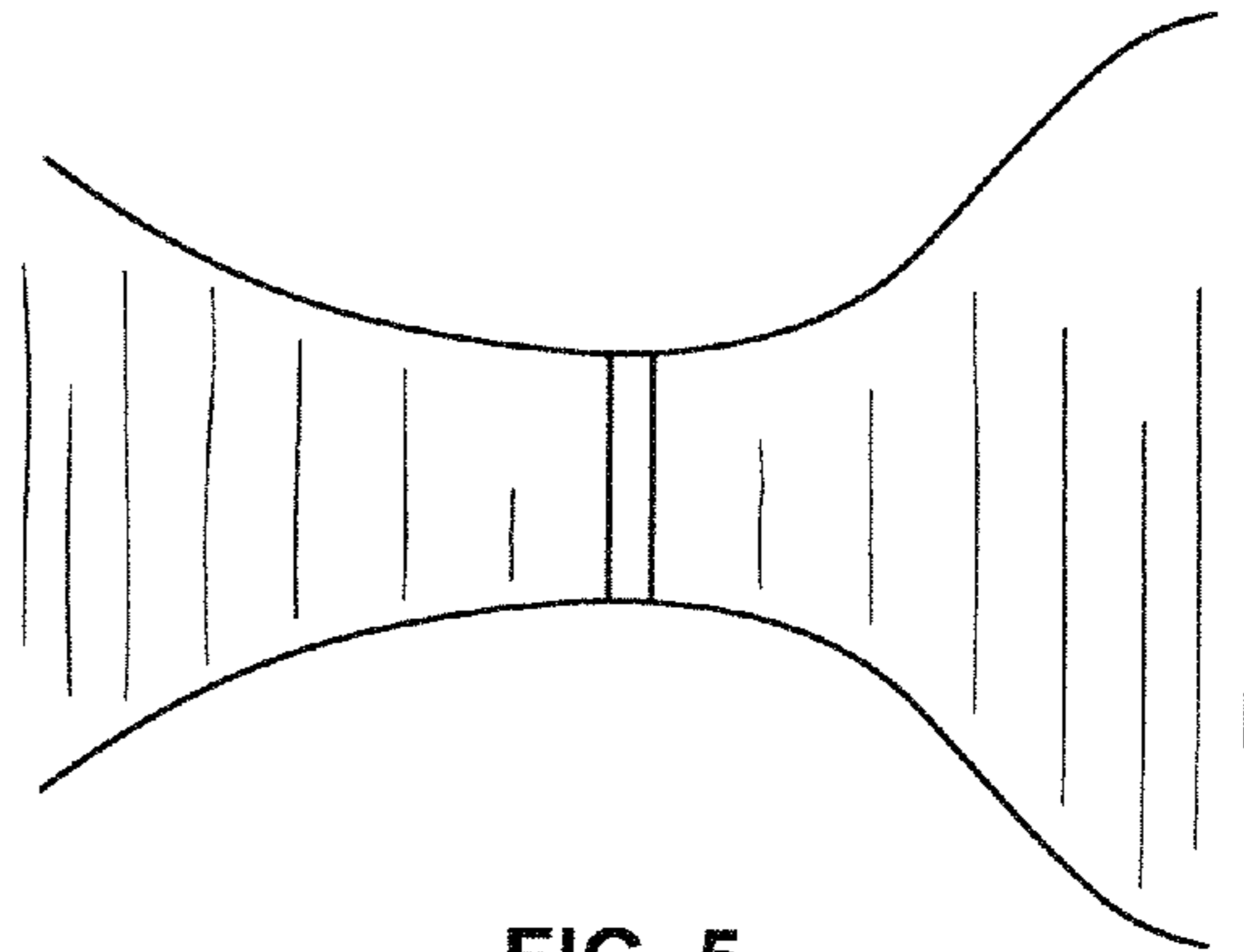


FIG. 5

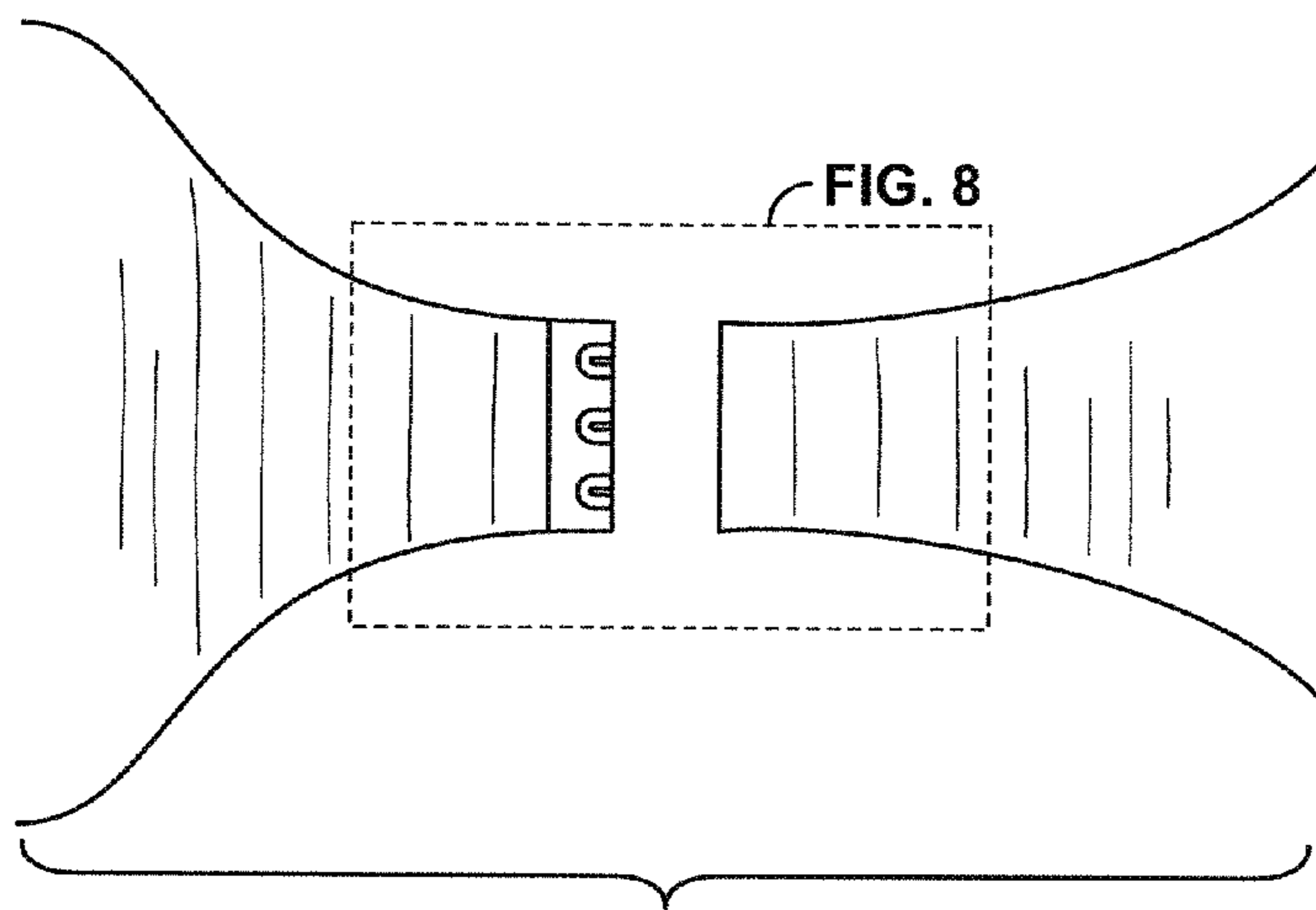


FIG. 6

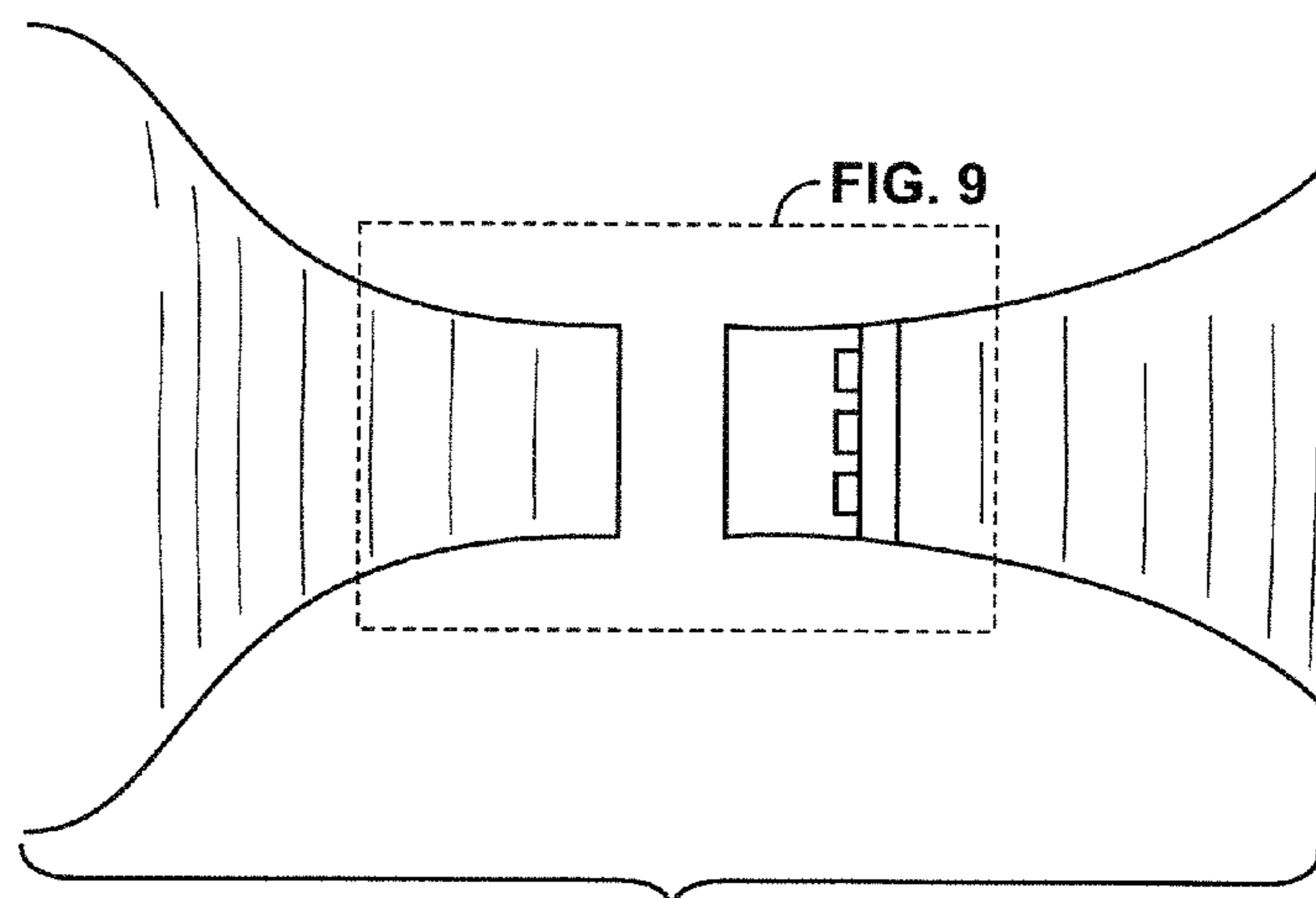


FIG. 7

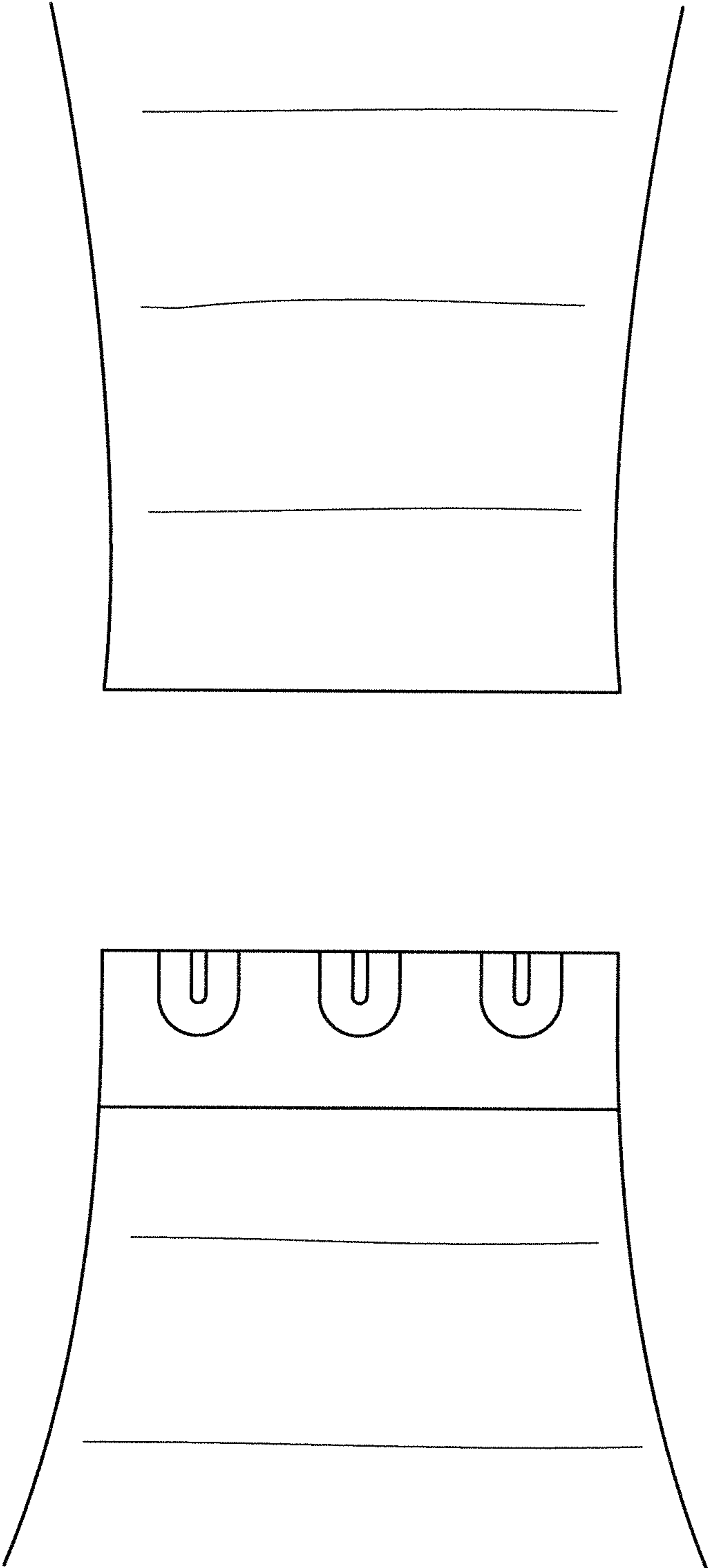


FIG. 8

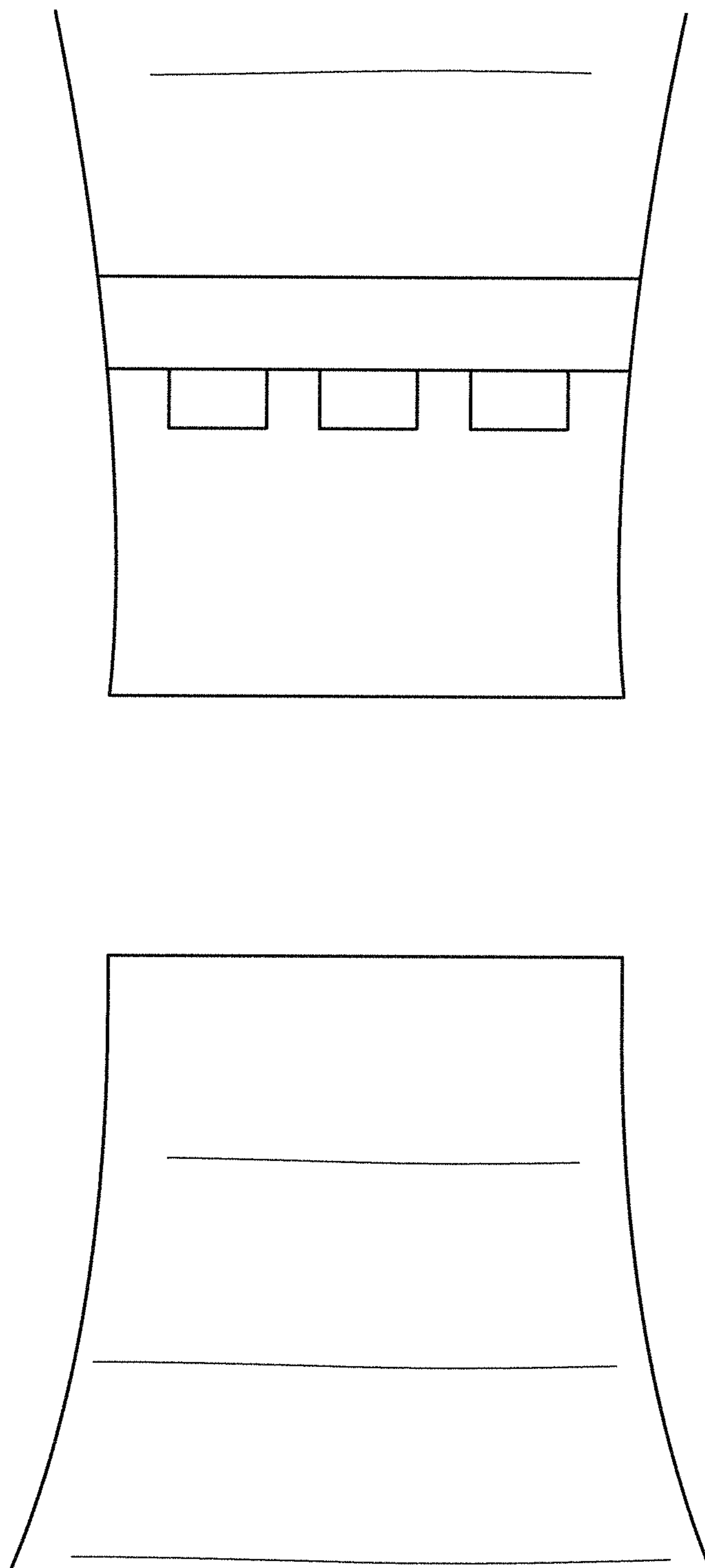


FIG. 9