



US00D763543S

(12) **United States Design Patent**
Guidolin

(10) **Patent No.:** **US D763,543 S**
(45) **Date of Patent:** **** Aug. 16, 2016**

(54) **SNACK**
(71) Applicant: **MAFIN S.P.A.**, Galliera Veneta (IT)
(72) Inventor: **Eraldo Guidolin**, Galliera Veneta (IT)
(73) Assignee: **MAFIN S.p.A.**, Galliera Veneta (IT)
(**) Term: **15 Years**
(21) Appl. No.: **29/505,224**
(22) Filed: **Aug. 3, 2015**
(30) **Foreign Application Priority Data**

Feb. 5, 2015 (EM) 002627463

(51) **LOC (10) Cl.** **01-01**
(52) **U.S. Cl.**
USPC **D1/128**

(58) **Field of Classification Search**
USPC D1/100-130, 199; 426/94, 104, 138,
426/144, 391, 549, 808, 143, 559, 560;
D7/388, 359, 409; D6/606; D25/38.1,
D25/100, 114, 119, 138, 140, 141; 119/710;
D9/456; 428/174, 182; 521/79; 72/301;
D23/365; 52/312, 560
CPC A21D 13/0029; A21D 13/0074; A21D
13/0022; A21D 13/0006; A23L 1/1641;
A23L 1/005
See application file for complete search history.

(56) **References Cited**
U.S. PATENT DOCUMENTS

95,990 A * 10/1869 Crowley B32B 3/28
428/182
358,889 A * 3/1887 Sagendorph B21D 13/02
428/604
3,323,269 A * 6/1967 Widdowson E04D 3/362
52/521
D239,215 S * 3/1976 Miller 426/144
4,099,359 A * 7/1978 Sivachenko E01D 19/125
405/284
D254,207 S * 2/1980 Holmberg 261/112.2
4,320,648 A * 3/1982 Ekmark B21D 11/18
428/603
4,515,817 A * 5/1985 Pavan A21C 9/045
426/106

4,567,084 A * 1/1986 Juei Jse E04D 3/35
106/286.6
D286,433 S * 10/1986 Greco D25/125
4,650,684 A * 3/1987 Penrose A23L 1/217
426/144
4,855,151 A * 8/1989 Fielding A23L 1/2175
426/144
D311,339 S * 10/1990 Weed D7/359
D311,627 S * 10/1990 Cadestin D1/126
D318,235 S * 7/1991 Weed D7/359
D495,852 S * 9/2004 Barber 426/144
D499,038 S * 11/2004 Cornell D10/118.1
7,331,087 B2 * 2/2008 Lindsay A44B 18/0015
24/442
D577,176 S * 9/2008 Young D1/128
D594,282 S * 6/2009 Klimecki D7/561
D670,561 S * 11/2012 Amend D9/456

(Continued)

OTHER PUBLICATIONS

Hazzelelponi. "Sun Chips." Deviant Art. May 26, 2011. Web. Apr. 28, 2016.
<<http://hazzelelponi.deviantart.com/art/Sun-Chips-196859851>>.*

(Continued)

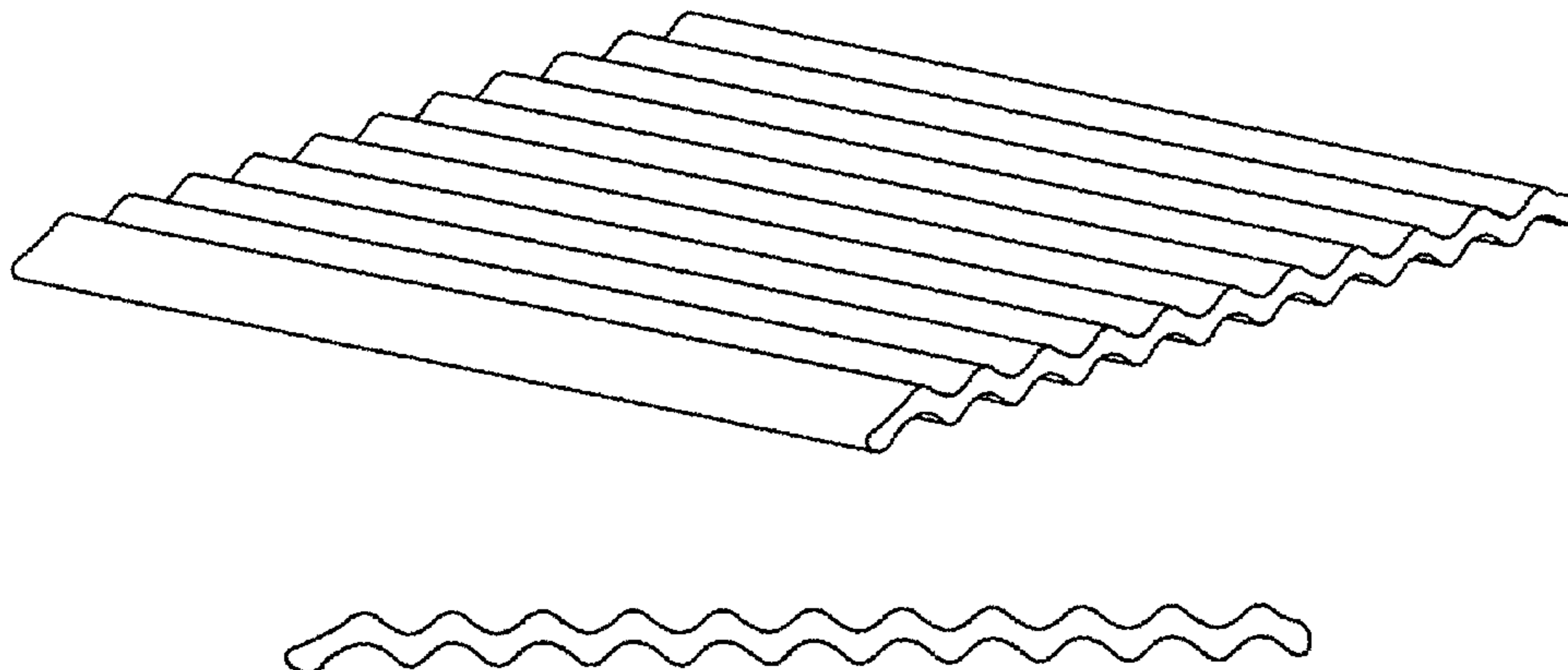
Primary Examiner — Garth Rademaker
Assistant Examiner — Katie S Mroczka
(74) *Attorney, Agent, or Firm* — Modiano & Associati;
Daniel J. O'Byrne

(57) **CLAIM**
The ornamental design for a snack, as shown.

DESCRIPTION

FIG. 1 is a perspective view of a snack showing my new design;
FIG. 2 is a rear view thereof;
FIG. 3 is a front view thereof;
FIG. 4 is a left side view thereof;
FIG. 5 is a right side view thereof;
FIG. 6 is a top view thereof; and,
FIG. 7 is a bottom view thereof.

1 Claim, 3 Drawing Sheets



(56)

References Cited

2005/0138906 A1* 6/2005 Kubokawa B01D 29/07
55/497

U.S. PATENT DOCUMENTS

D679,476 S * 4/2013 Barber D1/125
D690,896 S * 10/2013 Barber D1/125
D702,417 S * 4/2014 King D1/199
D702,998 S * 4/2014 Fugere D7/409
8,728,193 B2 * 5/2014 Flagstad B01D 46/527
55/326
D706,017 S * 6/2014 King D1/199
D731,743 S * 6/2015 Vitaloni D1/128
D750,342 S * 3/2016 Vitaloni D1/128
D751,791 S * 3/2016 Vitaloni D1/128
2004/0197530 A1 * 10/2004 Gritti B32B 3/28
428/182

OTHER PUBLICATIONS

“Singleface.” St. Marys Box Company. Jul. 12, 2014. Web. May 1, 2016. <<http://www.stmarysbox.com/index.php?Singleface>>.*
“Apa itu Corrugated Box.” Pabrikardus. Feb. 26, 2014. Web. May 1, 2016. <<https://pabrikardus.wordpress.com/>>.*
“Cardboard.” Ubeeco Packaging Solutions. Apr. 24, 2013. Web. May 1, 2016. <<http://www.ubeeco.com.au/CARDBOARD.htm>>.*

* cited by examiner

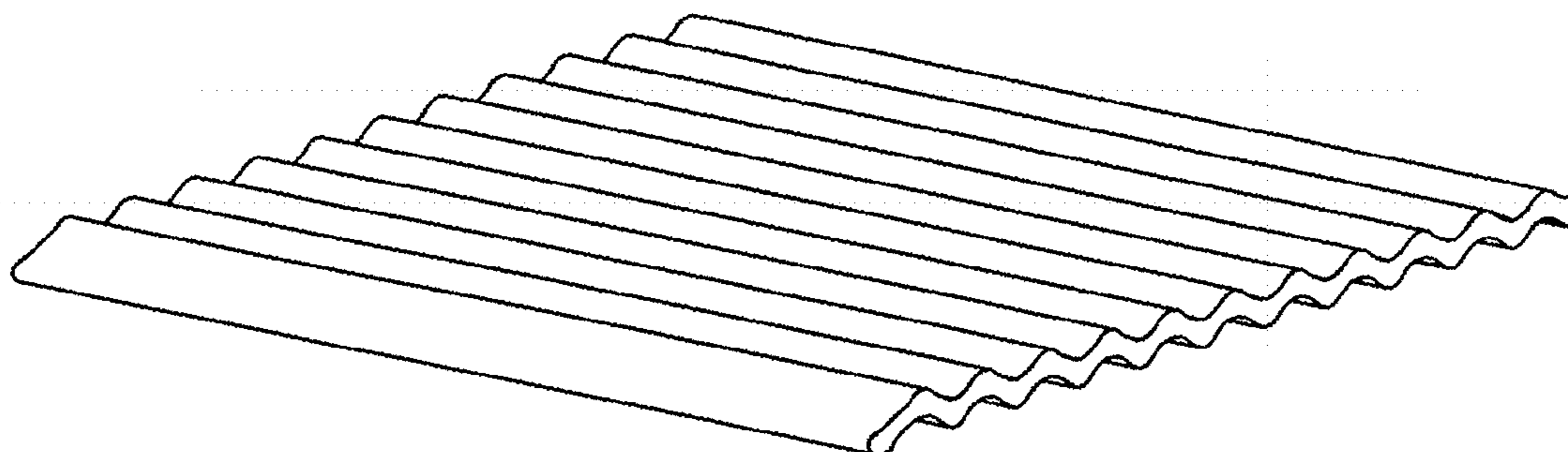


Fig. 1



Fig. 2



Fig. 3

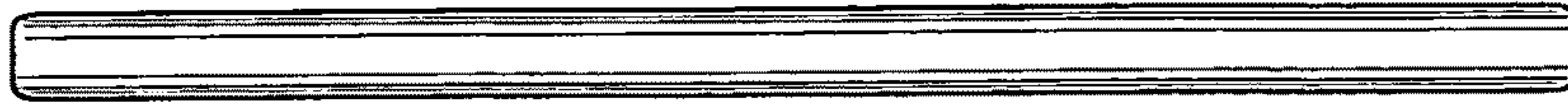


Fig. 4



Fig. 5

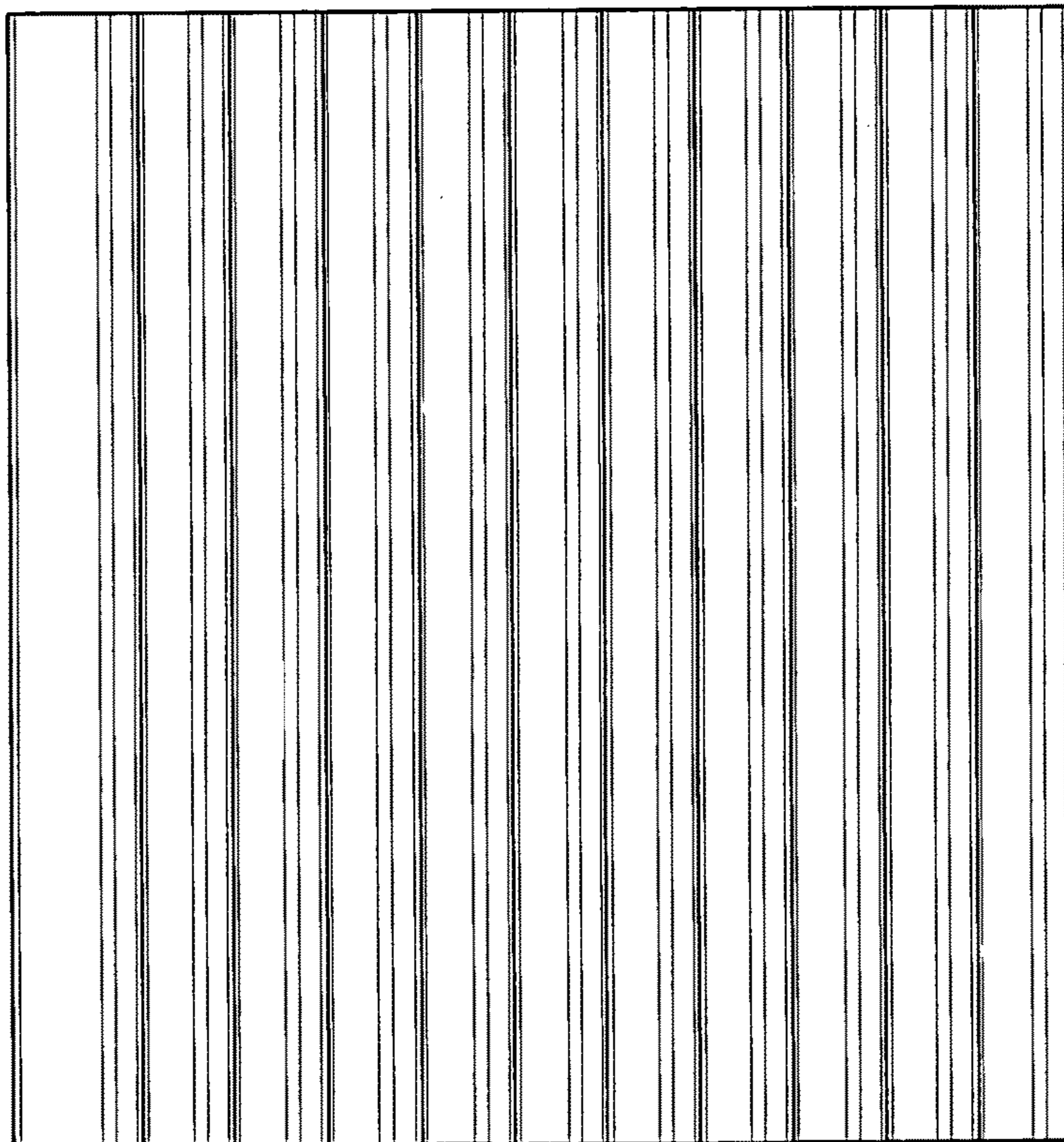


Fig. 6

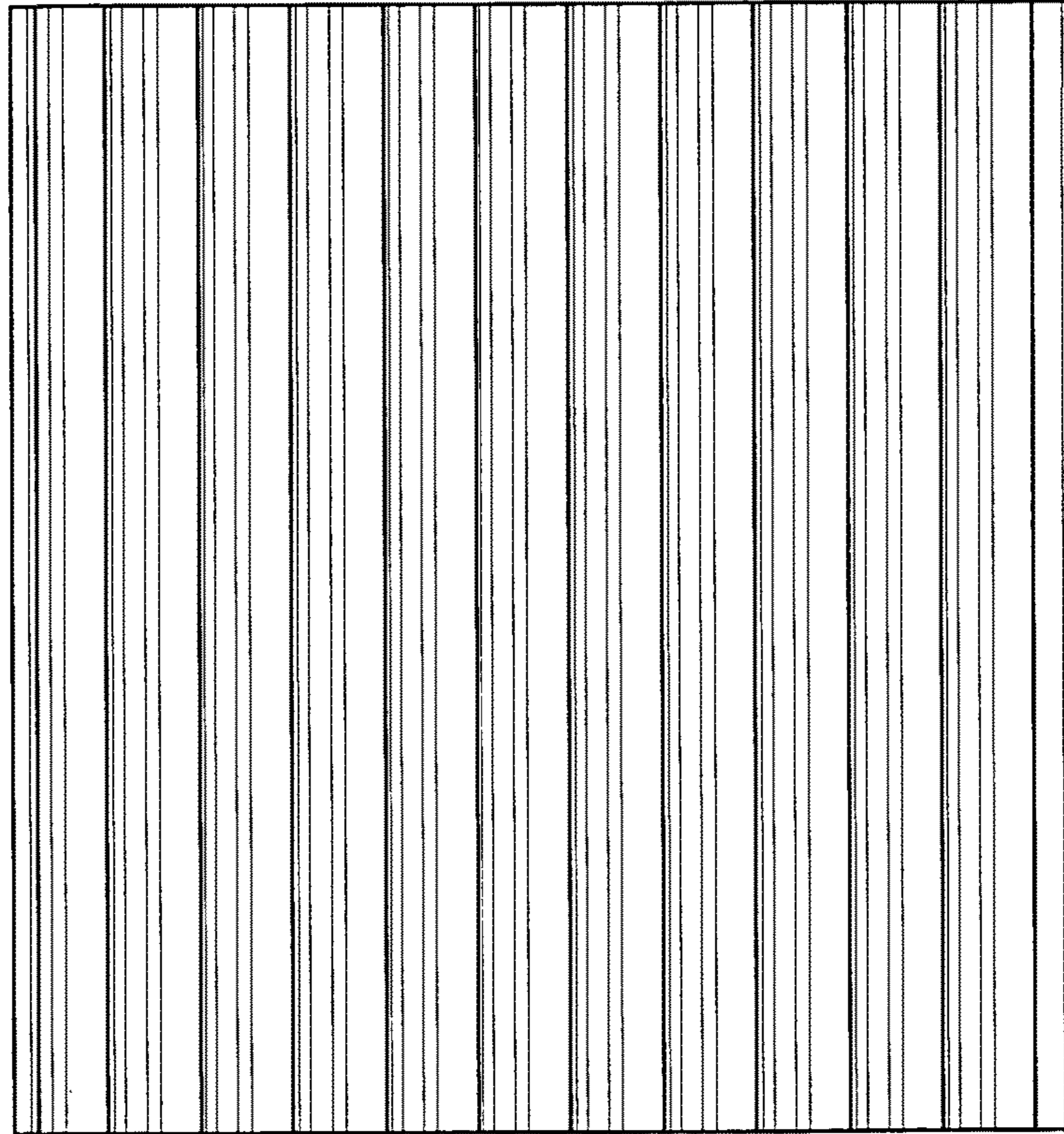


Fig. 7