

US00D763542S

(12) **United States Design Patent**
Guidolin

(10) **Patent No.:** **US D763,542 S**

(45) **Date of Patent:** **** Aug. 16, 2016**

(54) **SNACK**

(71) Applicant: **MAFIN S.P.A.**, Galliera Veneta (IT)

(72) Inventor: **Eraldo Guidolin**, Galliera Veneta (IT)

(73) Assignee: **MAFIN S.p.A.**, Galliera Veneta (IT)

(**) Term: **15 Years**

(21) Appl. No.: **29/505,223**

(22) Filed: **Aug. 3, 2015**

(30) **Foreign Application Priority Data**

Feb. 5, 2015 (EM) 002627463

(51) **LOC (10) Cl.** **01-01**

(52) **U.S. Cl.**
USPC **D1/128**

(58) **Field of Classification Search**
USPC D1/100-130, 199; 426/94, 104, 138,
426/144, 391, 549, 808, 143, 559, 560;
D7/388, 359, 409; D6/606; D25/38.1,
D25/100, 114, 119, 138, 140, 141; 119/710;
D9/456; 521/79; 72/301; D23/365;
52/312, 560; 428/174, 182
CPC A21D 13/0029; A21D 13/0074; A21D
13/0022; A21D 13/0006; A23L 1/1641;
A23L 1/005

See application file for complete search history.

(56) **References Cited**

U.S. PATENT DOCUMENTS

351,116 A * 10/1886 Mankey E04F 19/02
52/312
D116,174 S * 8/1939 Trabold D1/199
2,588,812 A * 3/1952 Dougherty C10G 73/40
206/503

D208,397 S * 8/1967 Reinhart D1/199
D226,595 S * 4/1973 Caunes D1/121
3,796,812 A * 3/1974 Baensch A01K 61/02
426/108
4,166,136 A * 8/1979 Stoll A23L 1/16
426/144
4,511,586 A * 4/1985 Fitzwater A23L 1/2161
426/144
D310,287 S * 9/1990 Pellegrino D1/126
D411,111 S * 6/1999 Rodriguez, Jr. 426/144
D560,094 S * 1/2008 Miller D7/387
D639,526 S * 6/2011 Allen D1/125
D717,516 S * 11/2014 King D1/125

OTHER PUBLICATIONS

Hazzelelponi. "Sun Chips." Deviant Art. May 26, 2011. Web. Apr. 28, 2016. <<http://hazzelelponi.deviantart.com/art/Sun-Chips-196859851>>.*

* cited by examiner

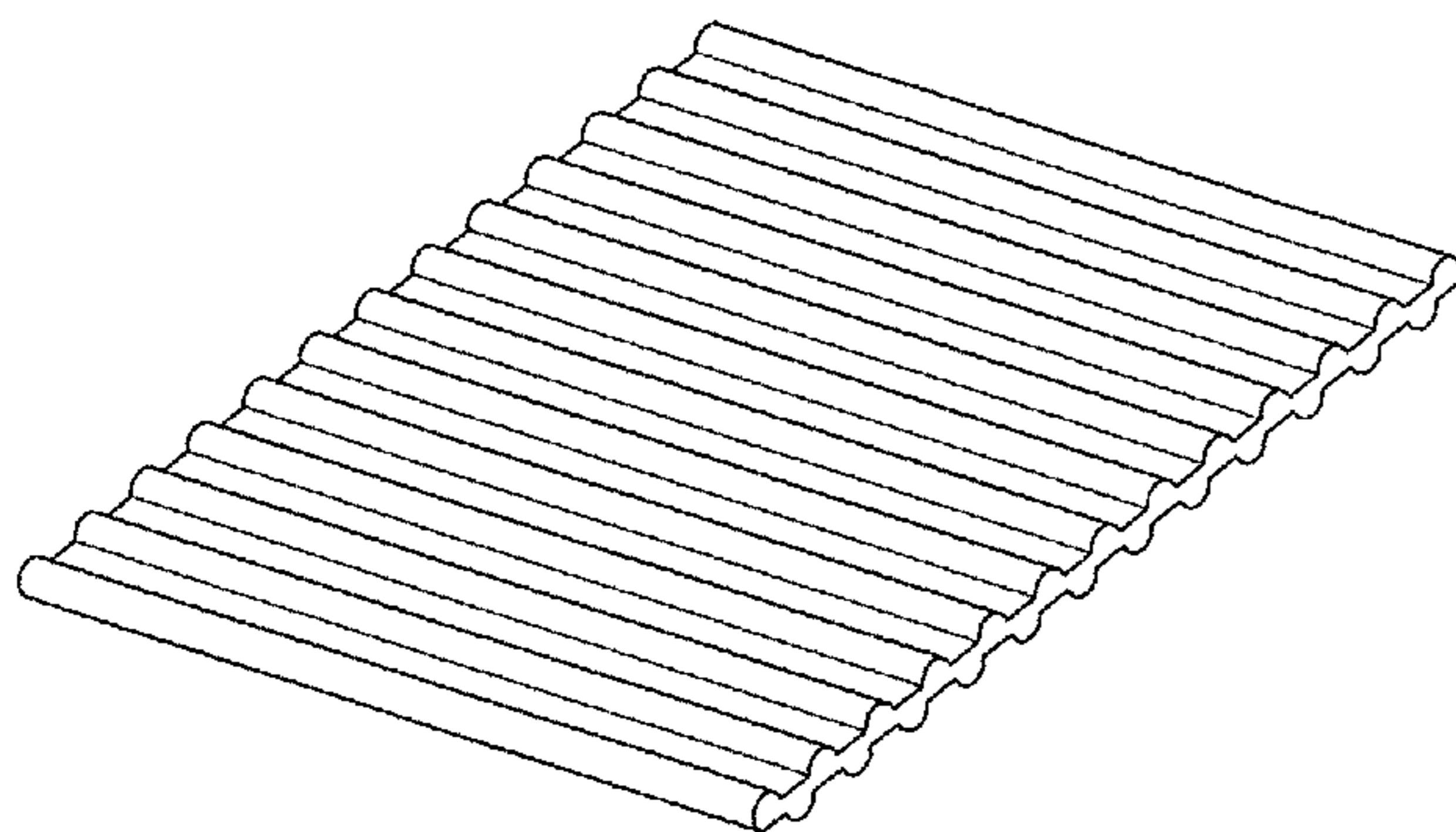
Primary Examiner — Garth Rademaker
Assistant Examiner — Katie S Mroczka
(74) *Attorney, Agent, or Firm* — Modiano & Associati;
Daniel J. O'Byrne

(57) **CLAIM**
The ornamental design for a snack, as shown.

DESCRIPTION

FIG. 1 is a perspective view of a snack showing my new design;
FIG. 2 is a front view thereof;
FIG. 3 is a rear view thereof;
FIG. 4 is a left side view thereof;
FIG. 5 is a right side view thereof;
FIG. 6 is a top view thereof; and,
FIG. 7 is a bottom view thereof.

1 Claim, 3 Drawing Sheets



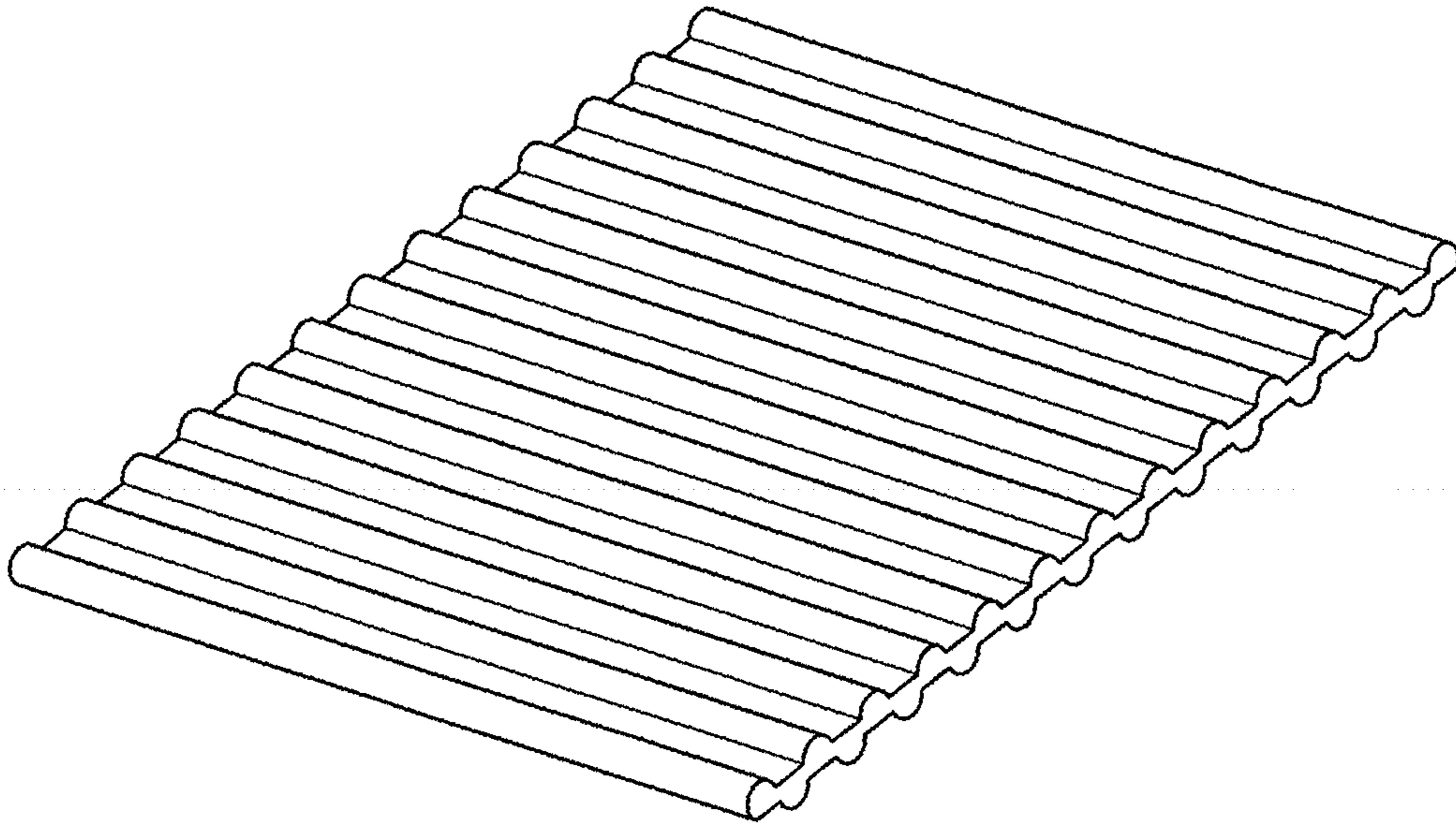


Fig. 1



Fig. 2



Fig. 3

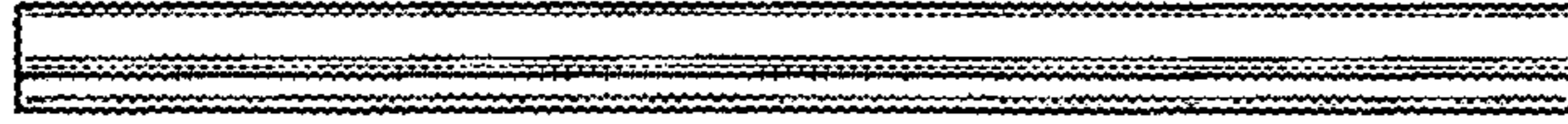


Fig. 4



Fig. 5

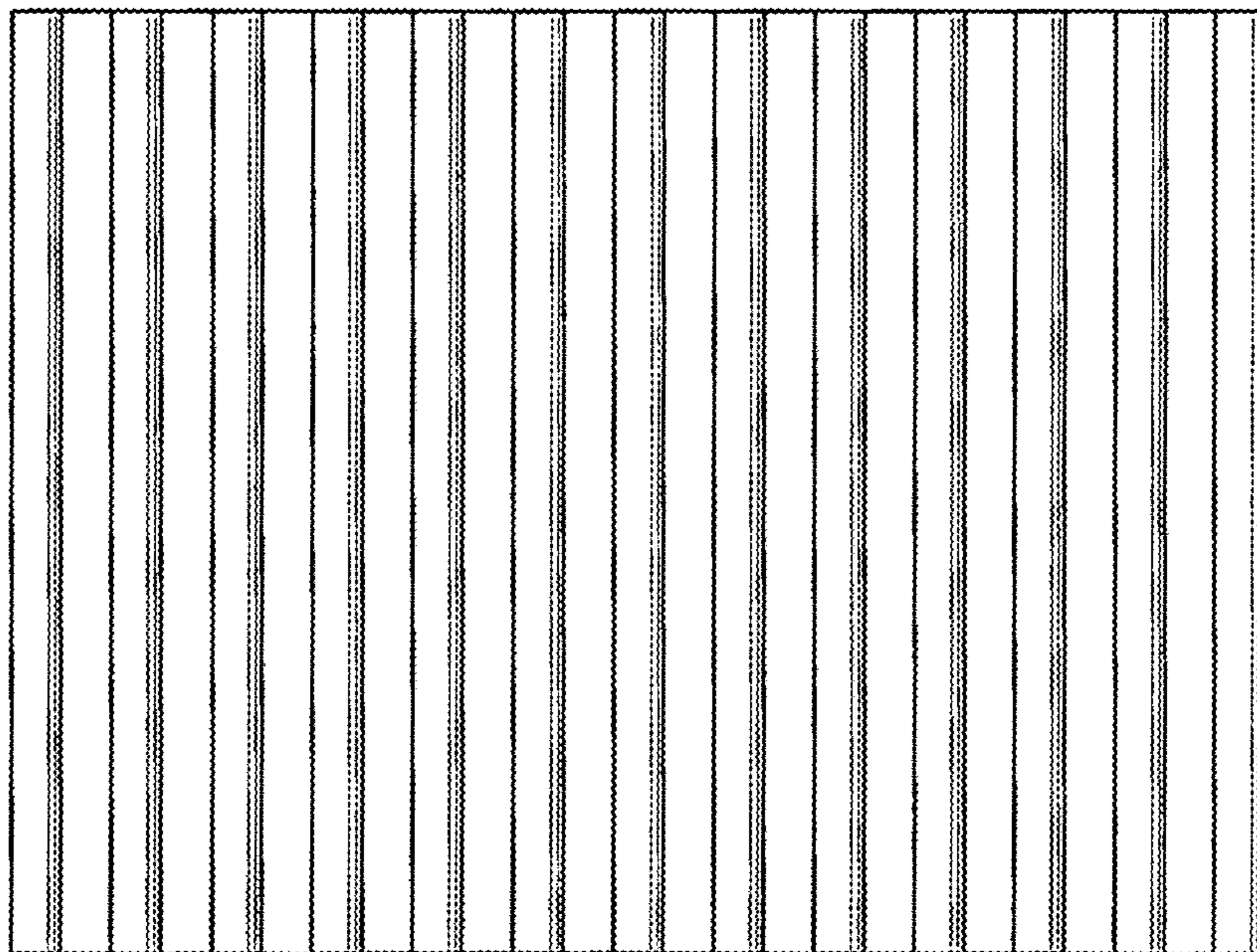


Fig. 6

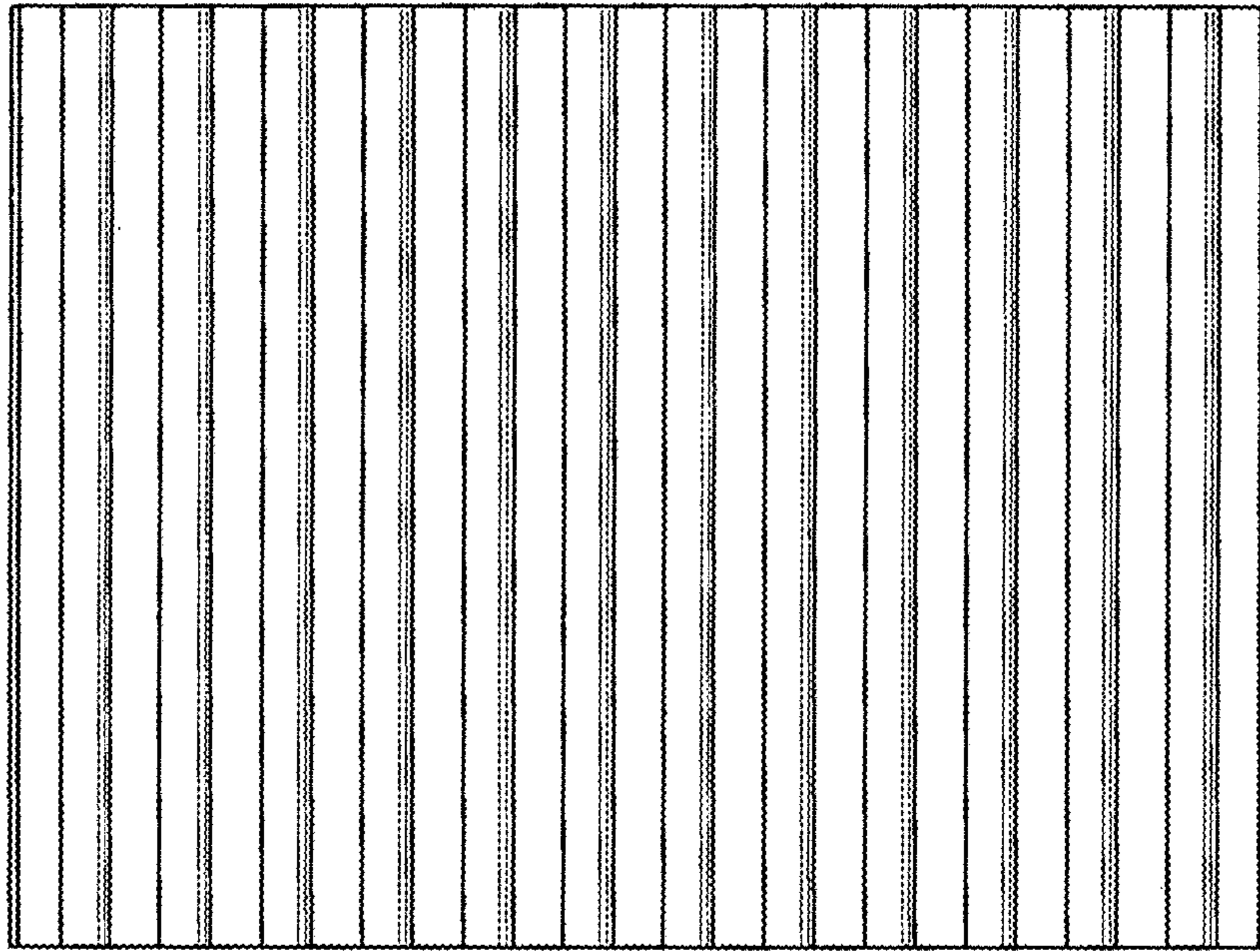


Fig. 7