

US00D763538S

(12) **United States Design Patent**  
**Sumigama et al.**

(10) **Patent No.:** **US D763,538 S**

(45) **Date of Patent:** **\*\* Aug. 9, 2016**

(54) **FORKLIFT TRUCK**

(71) Applicant: **KABUSHIKI KAISHA TOYOTA**  
**JIDOSHOKKI**, Kariya-shi, Aichi (JP)

(72) Inventors: **Kouichi Sumigama**, Kariya (JP);  
**Yoshitaka Sato**, Kariya (JP)

(73) Assignee: **KABUSHIKI KAISHA TOYOTA**  
**JIDOSHOKKI**, Aichi (JP)

(\*\*) Term: **14 Years**

(21) Appl. No.: **29/520,502**

(22) Filed: **Mar. 16, 2015**

(30) **Foreign Application Priority Data**

Sep. 18, 2014 (JP) ..... 2014-020660

(51) **LOC (10) Cl.** ..... **12-05**

(52) **U.S. Cl.**  
USPC ..... **D34/34**

(58) **Field of Classification Search**  
USPC ..... D34/34; 180/89.12, 89.13, 89.17;  
187/222, 237  
CPC ..... B66F 17/003; B66F 9/24; B66F 9/12;  
B66F 9/0755; B66F 9/07572  
See application file for complete search history.

(56) **References Cited**

**U.S. PATENT DOCUMENTS**

D492,831 S 7/2004 Kouyama  
D526,460 S 8/2006 Goto et al.

D579,622 S \* 10/2008 Kim ..... D34/34  
D584,024 S \* 12/2008 Stark ..... D34/34  
D587,422 S \* 2/2009 Stark ..... D34/34  
D651,783 S \* 1/2012 Shibata ..... D34/34  
D652,194 S \* 1/2012 Shibata ..... D34/34  
D657,932 S \* 4/2012 Kazaoka ..... D34/34  
D663,503 S \* 7/2012 Lin ..... D34/34  
D731,737 S \* 6/2015 Seimiya ..... D34/34

**FOREIGN PATENT DOCUMENTS**

TW D136882 S1 9/2010  
TW D157356 S 11/2013  
TW D159285 S 3/2014

\* cited by examiner

*Primary Examiner* — Cynthia Ramirez

(74) *Attorney, Agent, or Firm* — Sughrue Mion, PLLC

(57) **CLAIM**

The ornamental design for a forklift truck, as shown and described.

**DESCRIPTION**

FIG. 1 is a front view of a forklift truck of the present invention.

FIG. 2 is a rear view of the forklift truck of FIG. 1.

FIG. 3 is a top plan view of the forklift truck of FIG. 1.

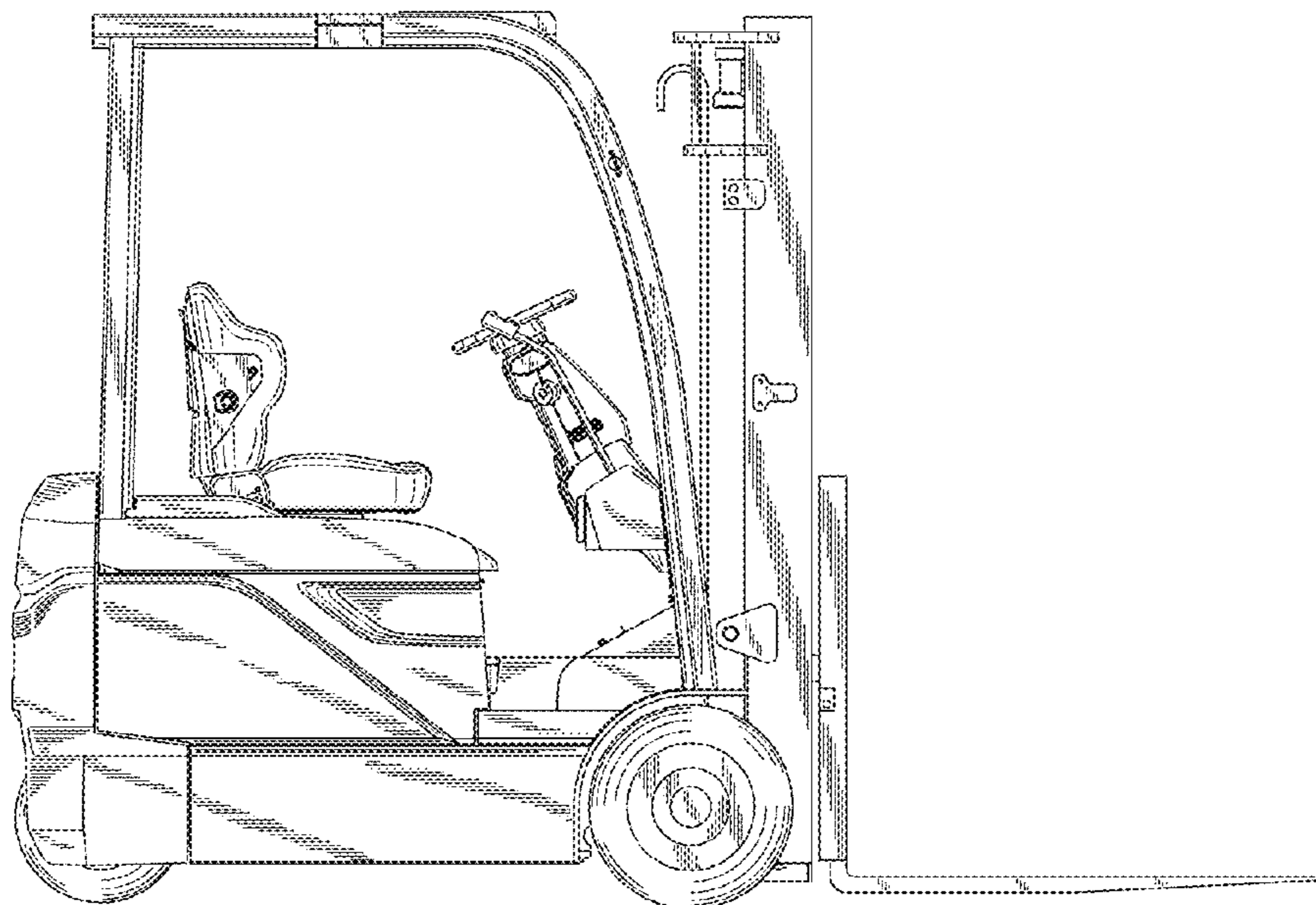
FIG. 4 is a right side view of the forklift truck of FIG. 1.

FIG. 5 is a left side view of the forklift truck of FIG. 1.

FIG. 6 is a front perspective view of the forklift truck of FIG. 1; and,

FIG. 7 is a rear perspective view of the forklift truck of FIG. 1.

**1 Claim, 7 Drawing Sheets**



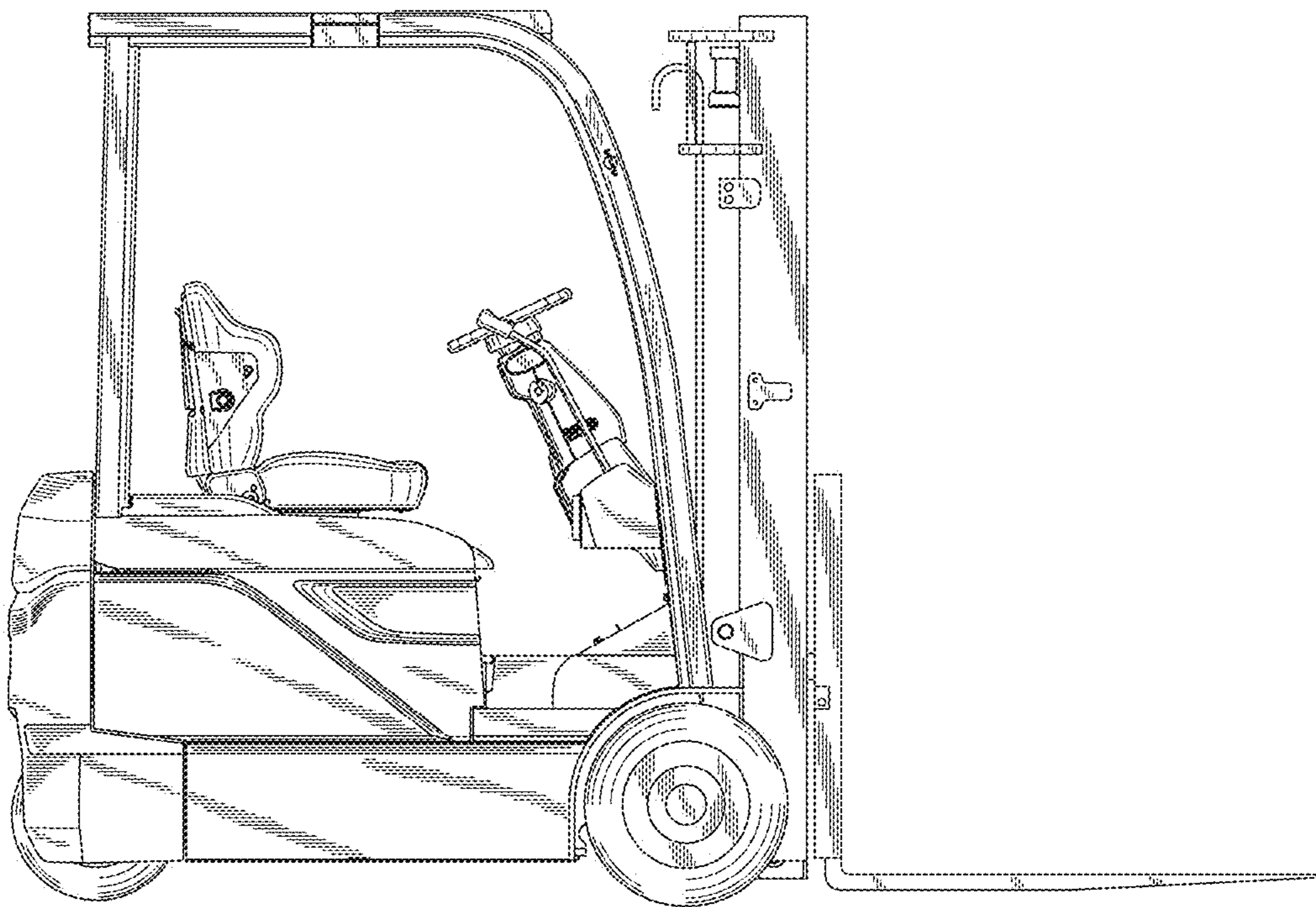


FIG. 1

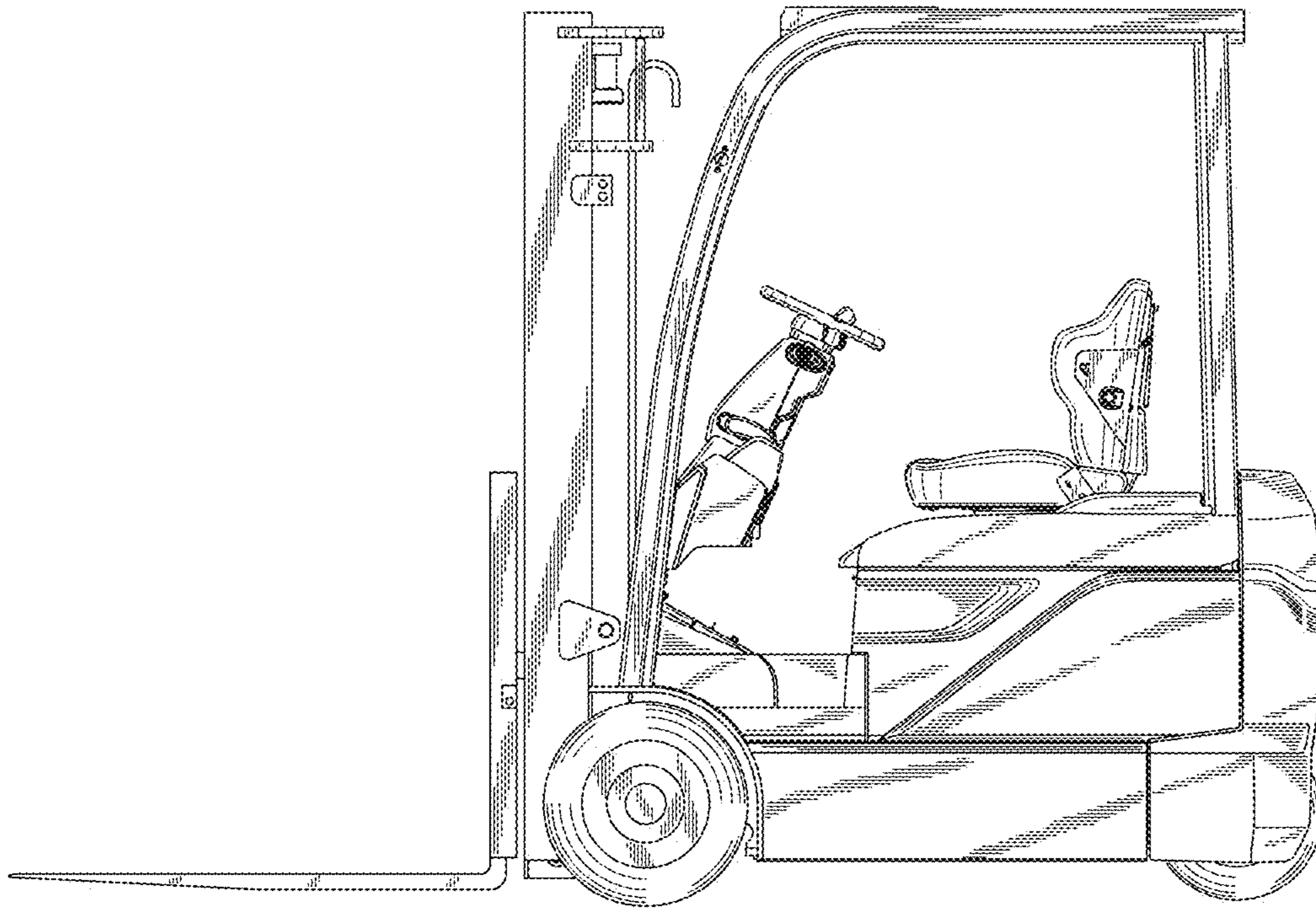


FIG. 2

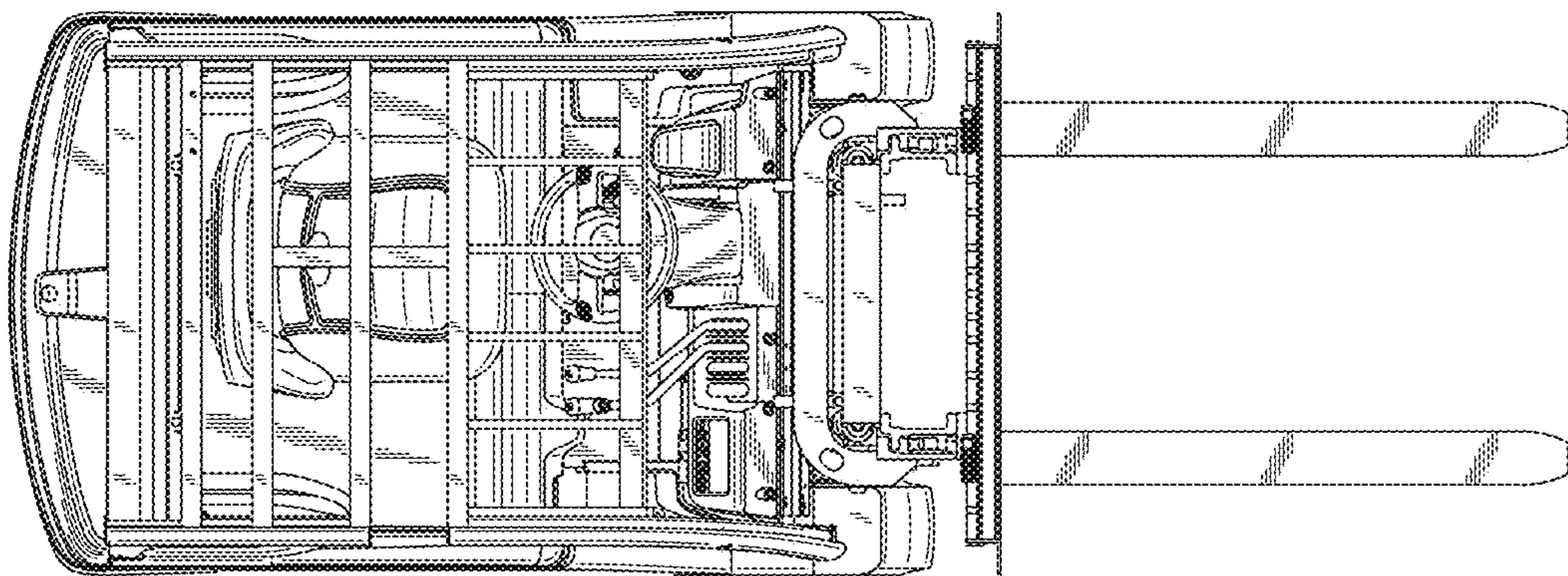


FIG. 3

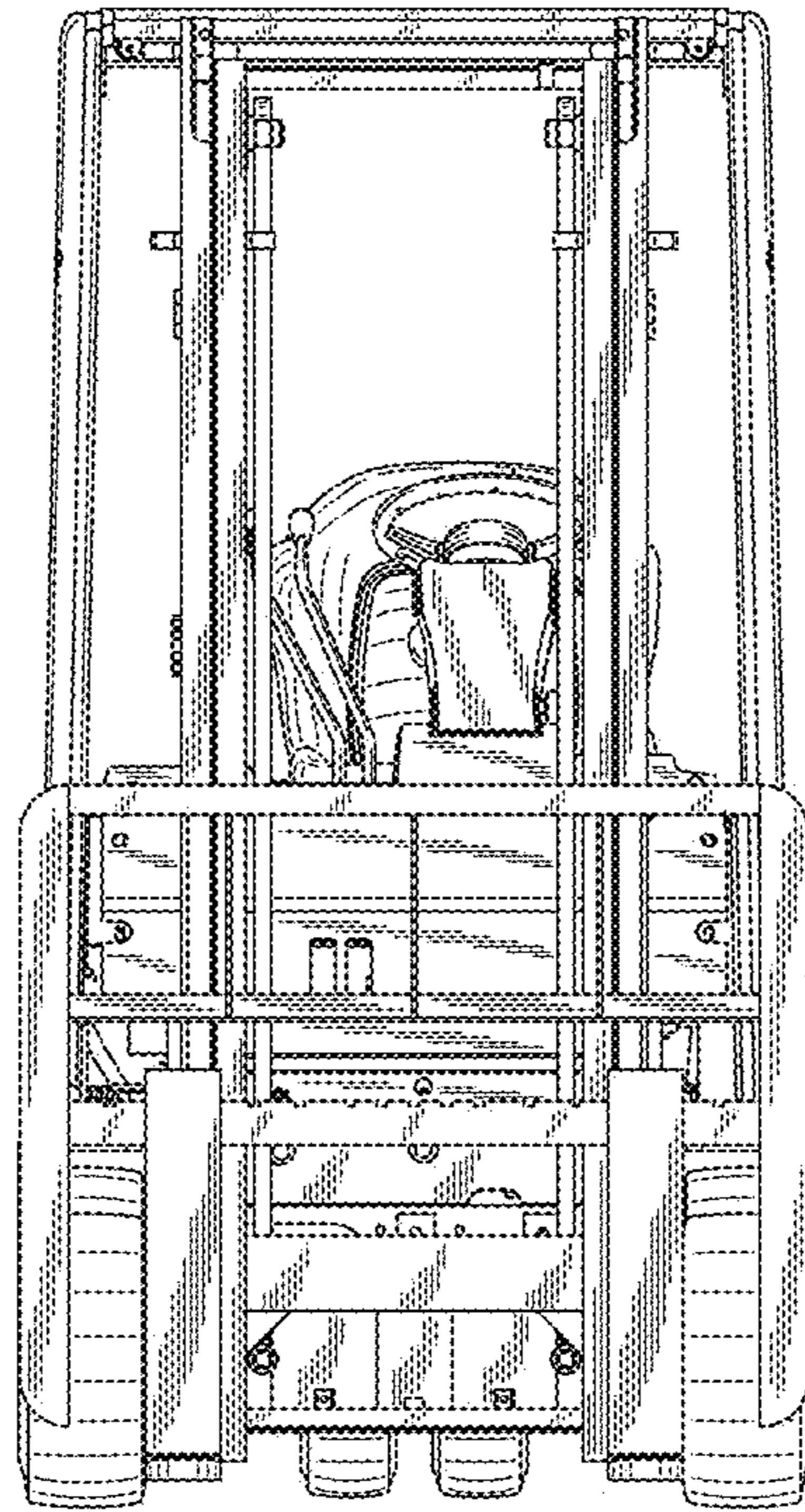


FIG. 4

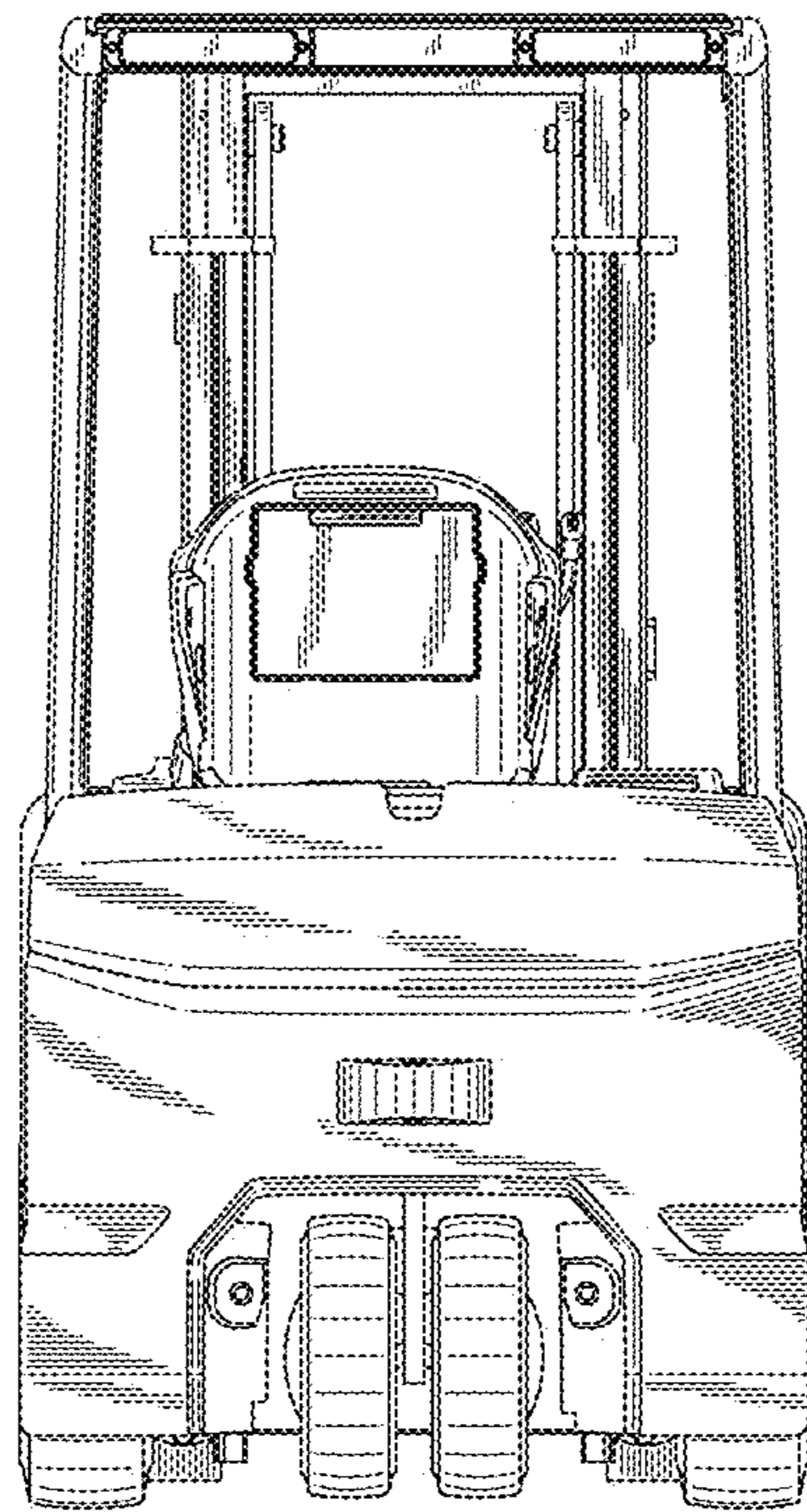


FIG. 5

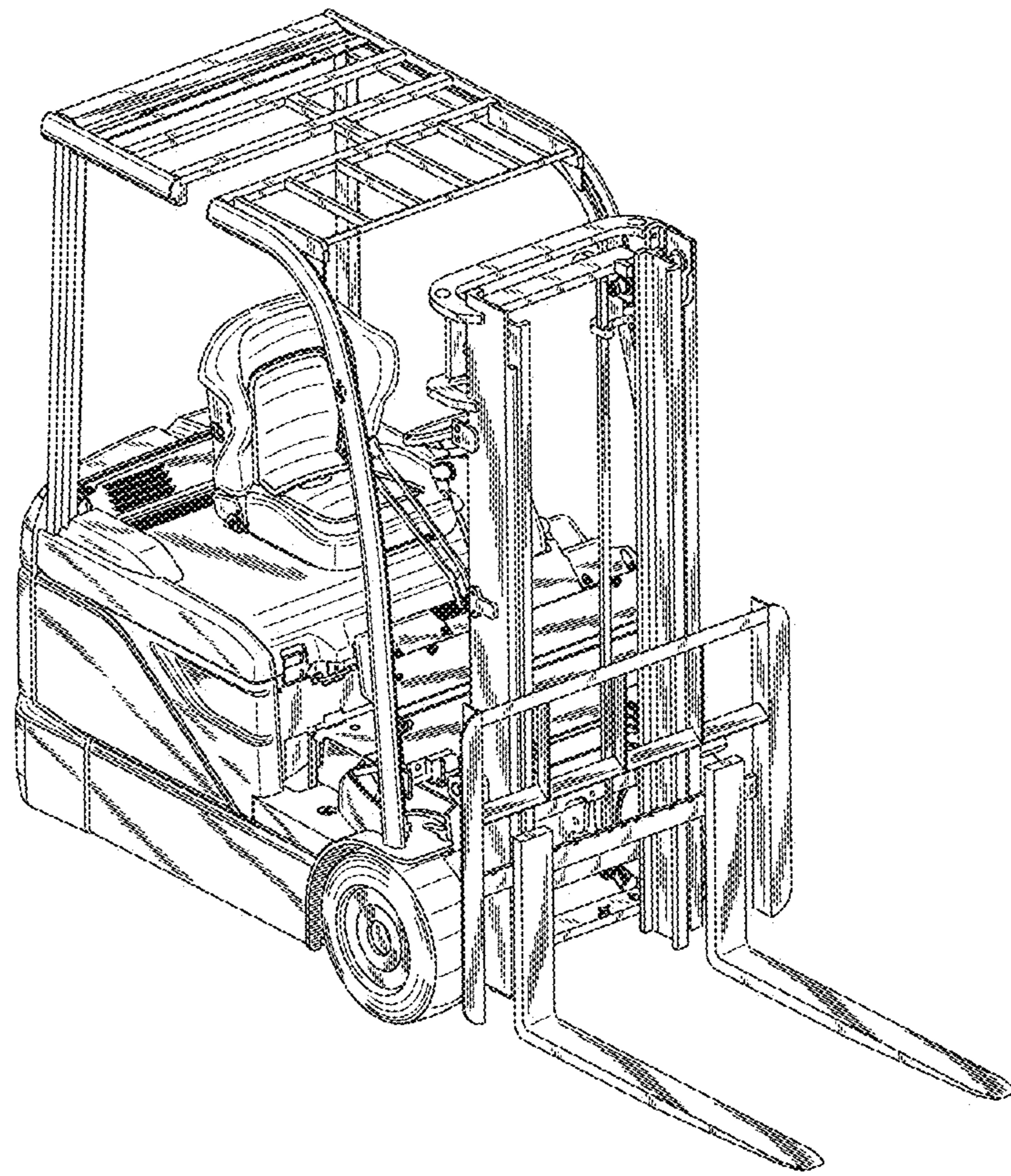


FIG. 6

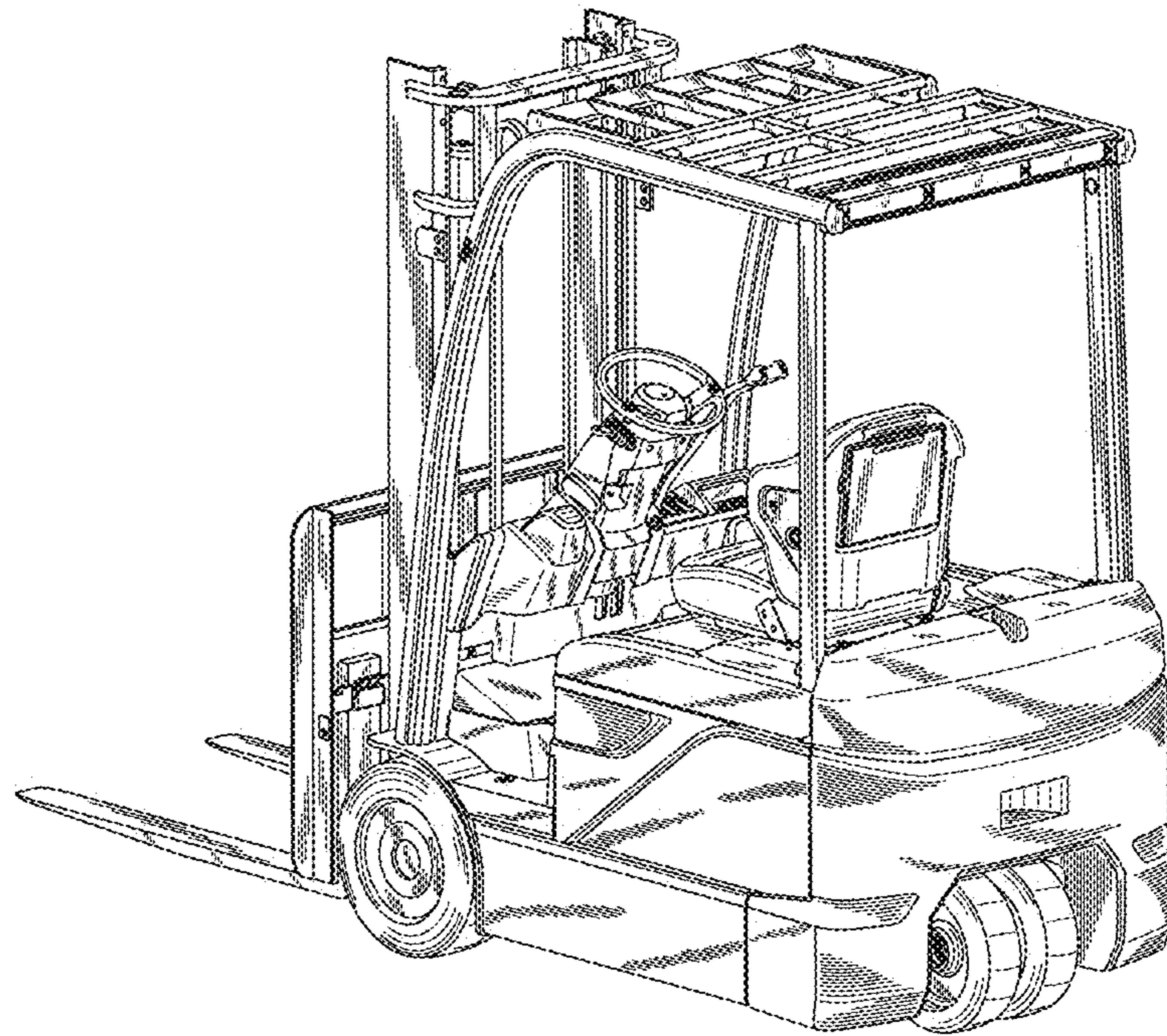


FIG. 7