



US00D763537S

(12) **United States Design Patent**
Lacourse

(10) **Patent No.:** **US D763,537 S**

(45) **Date of Patent:** **** Aug. 9, 2016**

(54) **WINCH**

(71) Applicant: **Jim C. Lacourse**, Fort Lauderdale, FL
(US)

(72) Inventor: **Jim C. Lacourse**, Fort Lauderdale, FL
(US)

(**) Term: **14 Years**

(21) Appl. No.: **29/523,778**

(22) Filed: **Apr. 14, 2015**

(51) **LOC (10) Cl.** **12-05**

(52) **U.S. Cl.**
USPC **D34/33**

(58) **Field of Classification Search**
USPC D34/28, 32, 33; 254/266, 389, 390,
254/323, 334, 336, 338, 344; D22/137, 140
CPC B66D 3/20; B66D 3/26; B66D 1/36;
B66D 1/46
See application file for complete search history.

(56) **References Cited**

U.S. PATENT DOCUMENTS

D209,855 S *	1/1968	Jenilek	D10/103
D316,170 S *	4/1991	Lomax	D34/33
5,064,336 A *	11/1991	Godbersen	B60P 3/1066 254/326
D341,242 S *	11/1993	Thorby	D34/28
D349,996 S *	8/1994	Litwiller	D34/33
D395,114 S *	6/1998	Wullimann	D34/33
7,219,914 B2 *	5/2007	Huddleston	B60D 1/665 280/475
D545,524 S *	6/2007	Eriksson	D34/33
7,350,770 B1 *	4/2008	Boyer	B66C 23/02

				212/295
D656,290 S *	3/2012	Anderson	D34/33
D657,931 S *	4/2012	Anderson	D34/33
D659,342 S *	5/2012	Cichetti	D34/33
D670,473 S *	11/2012	Anderson	D34/33
D713,613 S *	9/2014	Miles	D34/33
D714,512 S *	9/2014	Cook	D34/33
2003/0006403 A1 *	1/2003	Vetesnik	B66C 23/166 254/334
2004/0234367 A1 *	11/2004	Pacini	B60R 9/06 414/543
2004/0256607 A1 *	12/2004	Spitsbergen	B66C 23/44 254/334
2011/0278522 A1 *	11/2011	Anderson	B60P 3/122 254/380
2014/0239243 A1 *	8/2014	Anderson	B66D 1/34 254/356

* cited by examiner

Primary Examiner — Cynthia Ramirez

(74) *Attorney, Agent, or Firm* — Robert C. Kain, Jr.

(57) **CLAIM**

The ornamental design for a winch, as shown and described.

DESCRIPTION

FIG. 1 is a perspective view of the winch.
FIG. 2 is a right side elevational view of the winch.
FIG. 3 is a left side elevational view of the winch.
FIG. 4 is a rear view of the winch.
FIG. 5 is a front view of the winch.
FIG. 6 is a top view of the winch; and,
FIG. 7 is a bottom view of the winch.
The broken lines shown in the figures are included for the purpose of illustrating portions of the winch and forms no part of the claimed design.

1 Claim, 5 Drawing Sheets

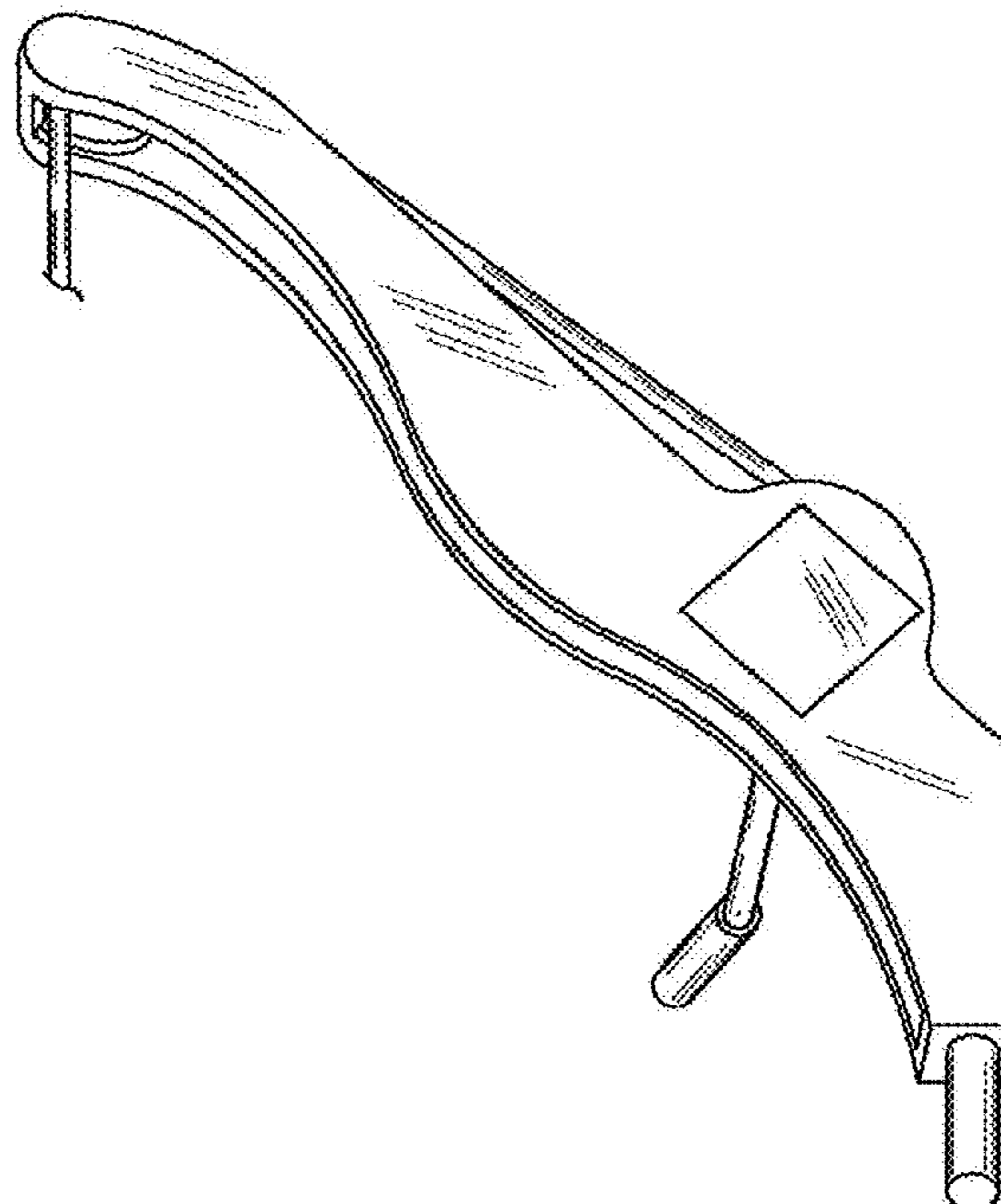


FIG. 1

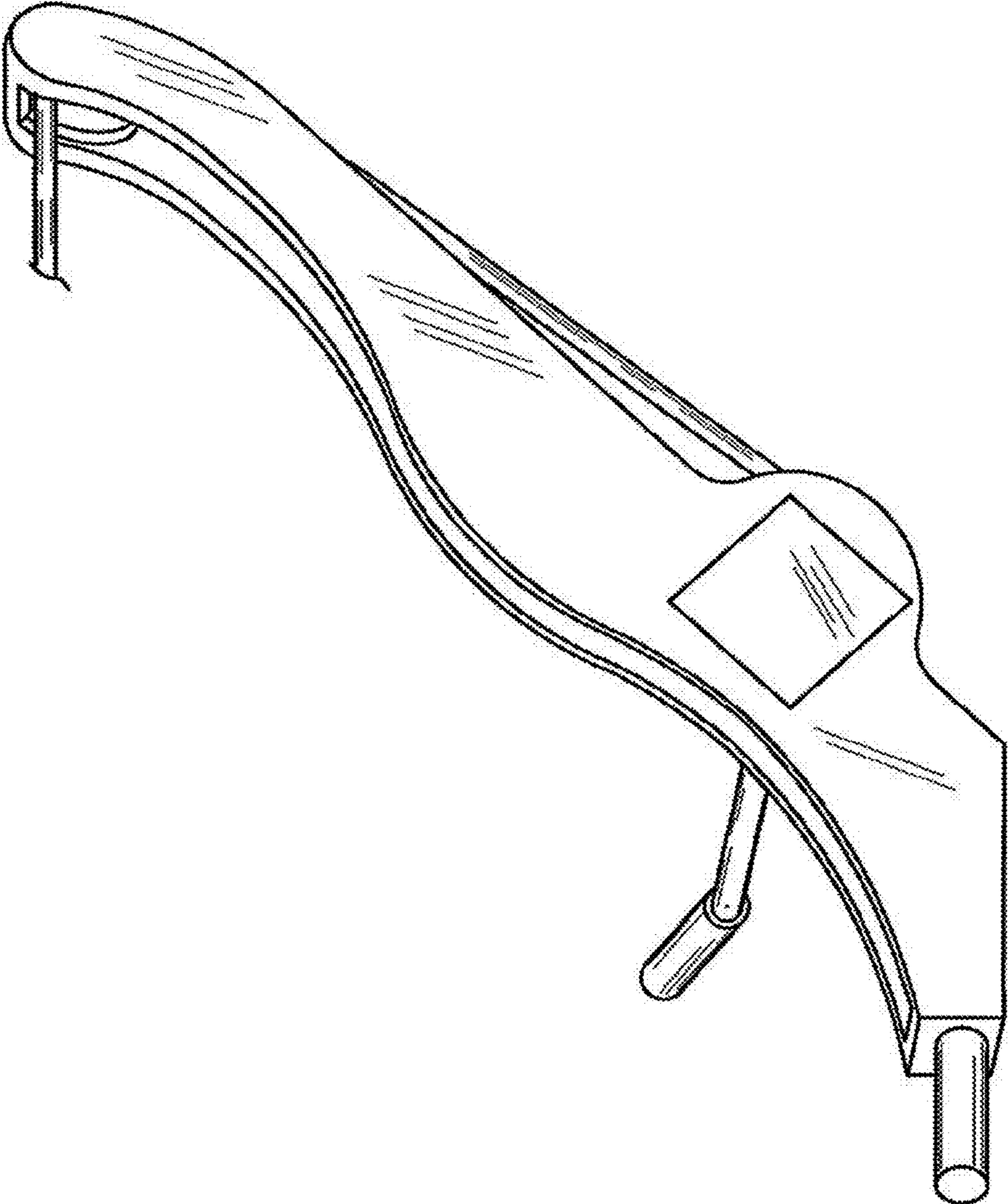


FIG.2

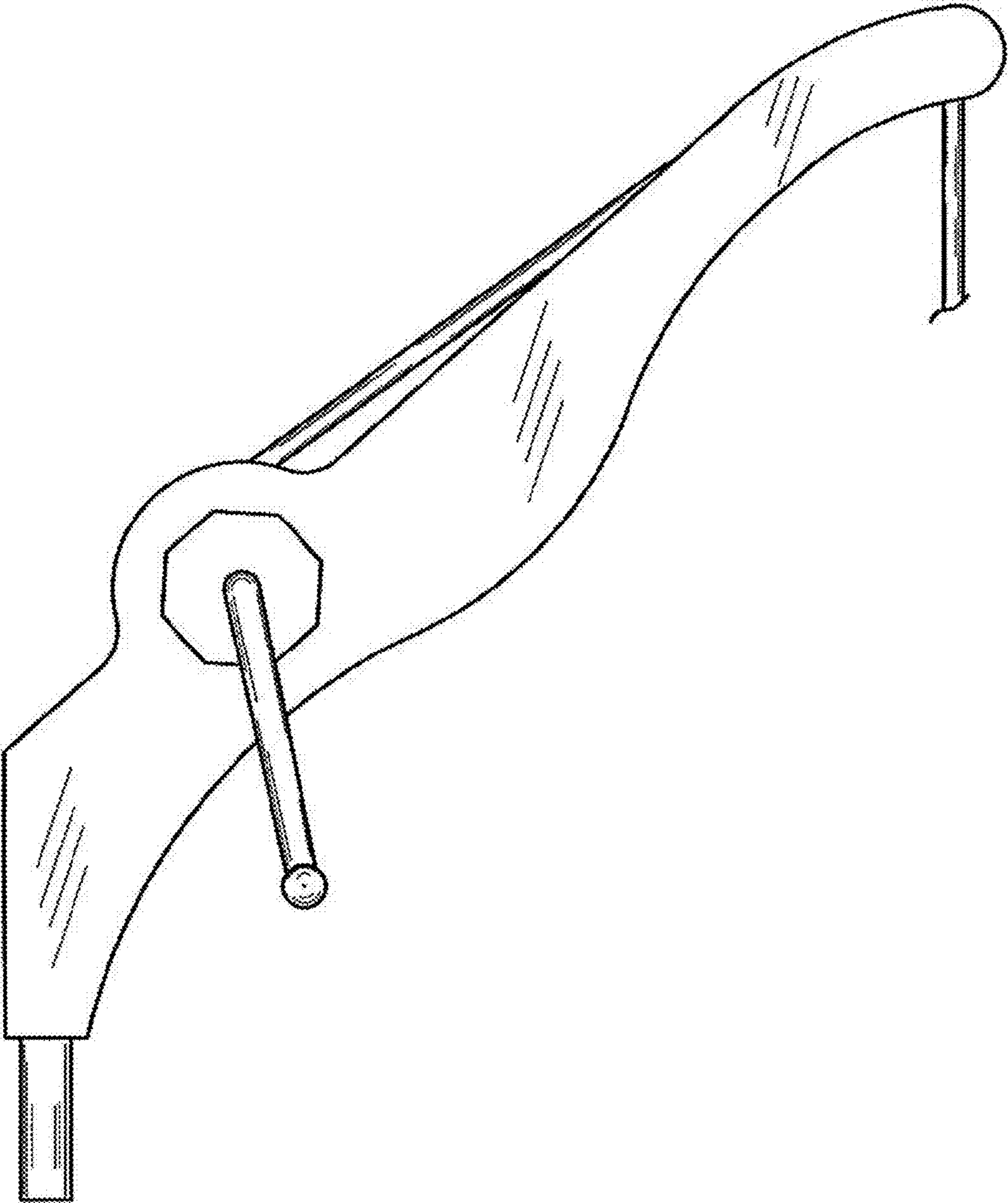


FIG.3

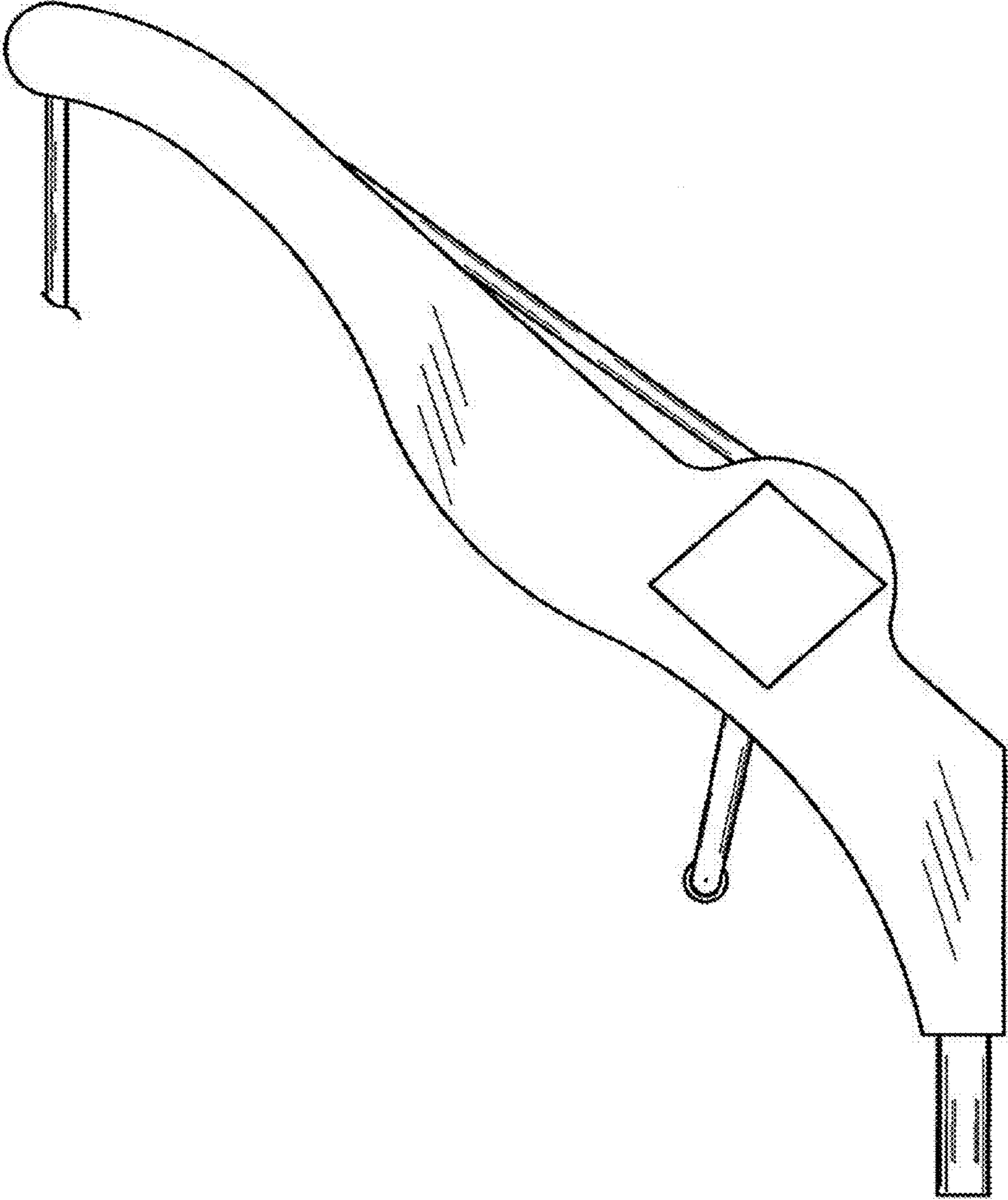


FIG.4

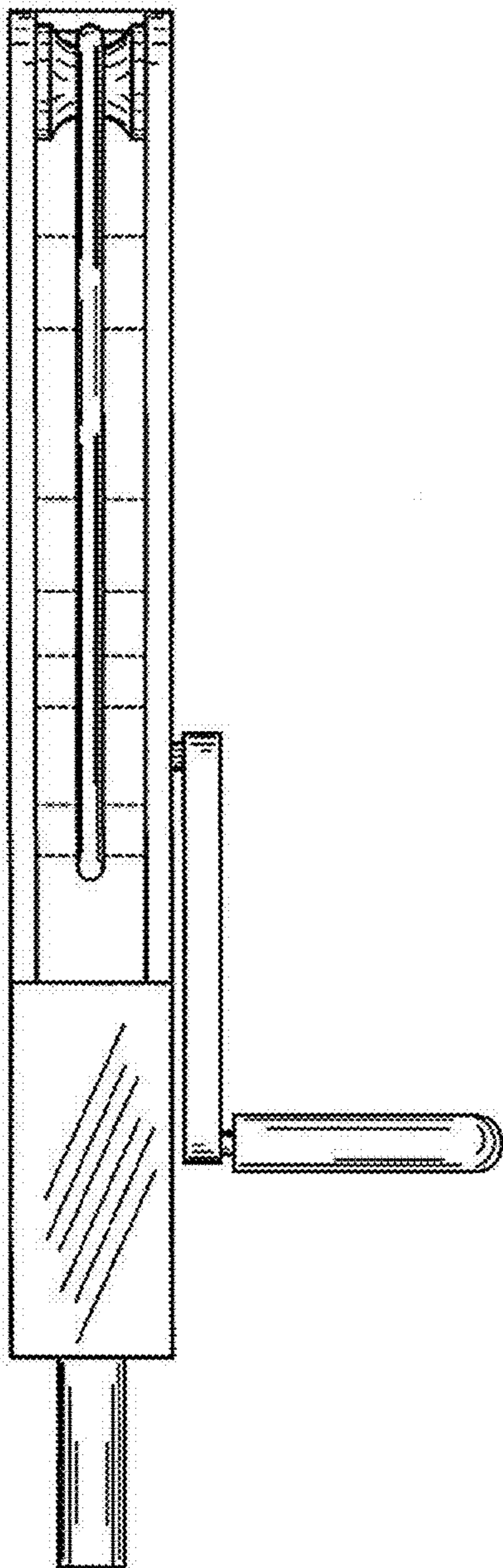


FIG.5

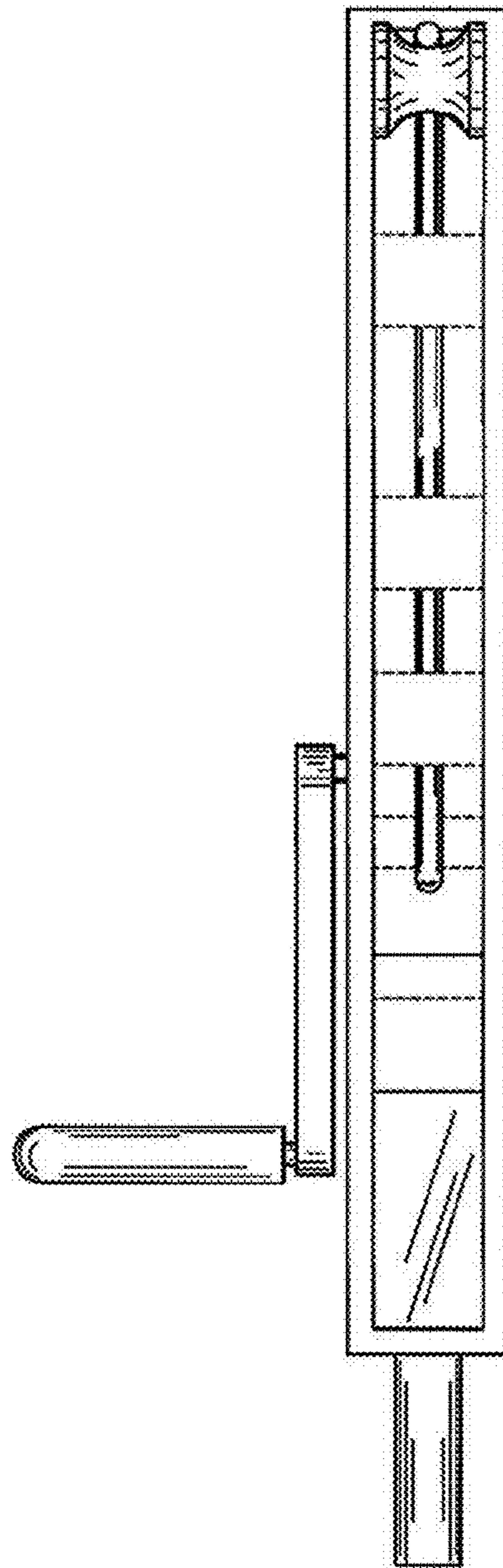


FIG.6

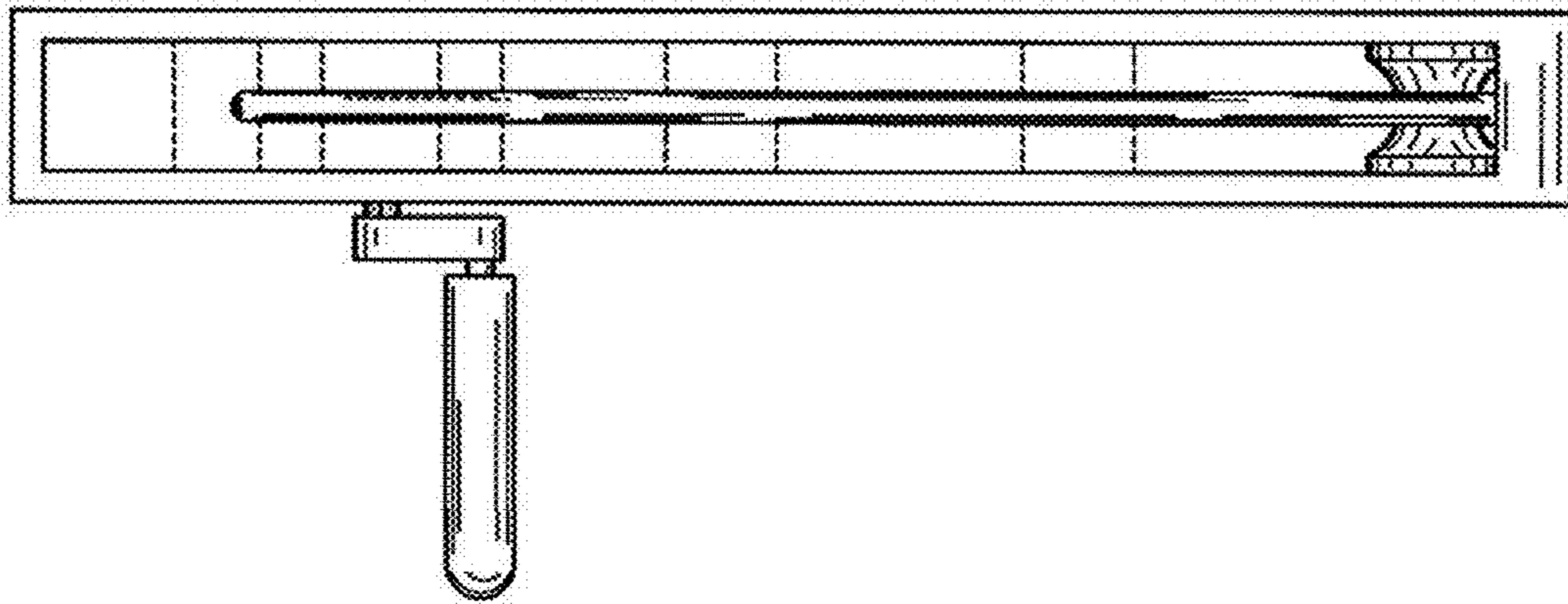


FIG.7

