



US00D763534S

(12) **United States Design Patent**
Liao et al.

(10) **Patent No.:** **US D763,534 S**
(45) **Date of Patent:** **** Aug. 9, 2016**

(54) **CART**

(71) Applicants: **Ying-Chieh Liao**, Taichung (TW);
Yu-Kuo Liao, Taichung (TW)

(72) Inventors: **Ying-Chieh Liao**, Taichung (TW);
Yu-Kuo Liao, Taichung (TW)

(**) Term: **14 Years**

(21) Appl. No.: **29/525,571**

(22) Filed: **Apr. 30, 2015**

(30) **Foreign Application Priority Data**

Nov. 14, 2014 (TW) 103306679

(51) **LOC (10) Cl.** **12-02**

(52) **U.S. Cl.**
USPC **D34/21**

(58) **Field of Classification Search**

USPC D34/12-27; 280/47.26, 79.11, 79.3,
280/79.2, 47.35
CPC B62B 3/02; B62B 3/144; B62B 3/00;
B62B 3/005; B62B 3/025
See application file for complete search history.

(56) **References Cited**

U.S. PATENT DOCUMENTS

D353,927 S * 12/1994 Maddux D34/17
5,765,742 A * 6/1998 Marks B25C 5/1696
227/120

D406,431 S * 3/1999 Tisbo D34/20
6,068,356 A * 5/2000 Giuseppe A47B 31/00
280/47.35
D697,685 S * 1/2014 Maddux D34/19
D707,912 S * 6/2014 Koehler D34/19
D723,237 S * 2/2015 Maddux D34/12
2001/0045718 A1 * 11/2001 Boirum B25H 3/02
280/47.26
2003/0141687 A1 * 7/2003 Wixted B62B 3/006
280/47.35
2005/0212239 A1 * 9/2005 Carter A23L 3/001
280/47.35

* cited by examiner

Primary Examiner — Cynthia Ramirez

(74) *Attorney, Agent, or Firm* — Muncy, Geissler, Olds & Lowe, P.C.

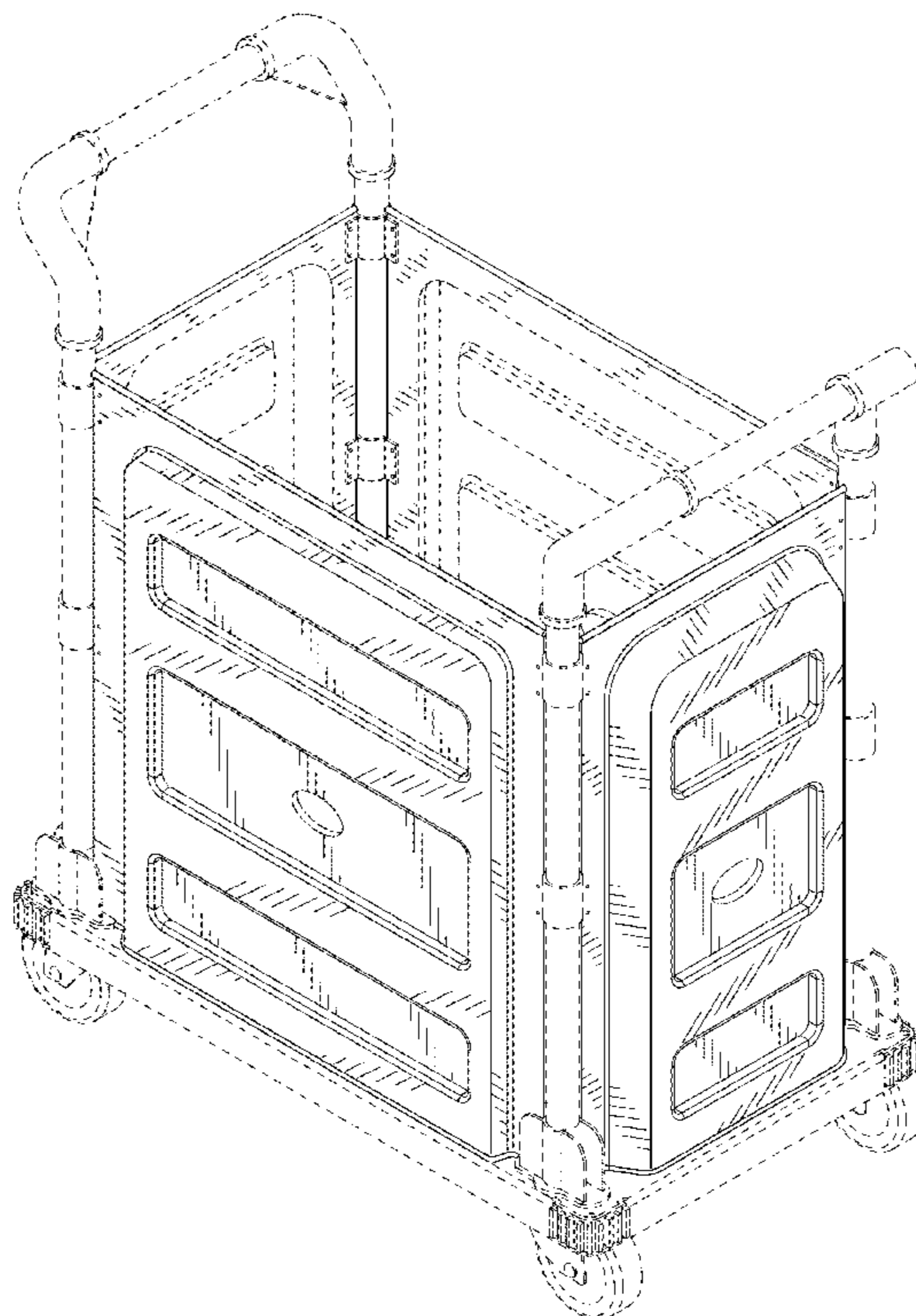
(57) **CLAIM**

We claim the ornamental design for a cart, as shown and described.

DESCRIPTION

FIG. 1 is a perspective view of a cart showing our new design; FIG. 2 is a front elevational view thereof, the rear elevational view being a mirror image; FIG. 3 is a right side view thereof, the left side view being a mirror image; FIG. 4 is a bottom plan view thereof; and, FIG. 5 is a perspective view of the cart with one of the sides removed for convenience of illustration. The broken lines in the drawings illustrate portions of the cart which form no part of the claimed design.

1 Claim, 5 Drawing Sheets



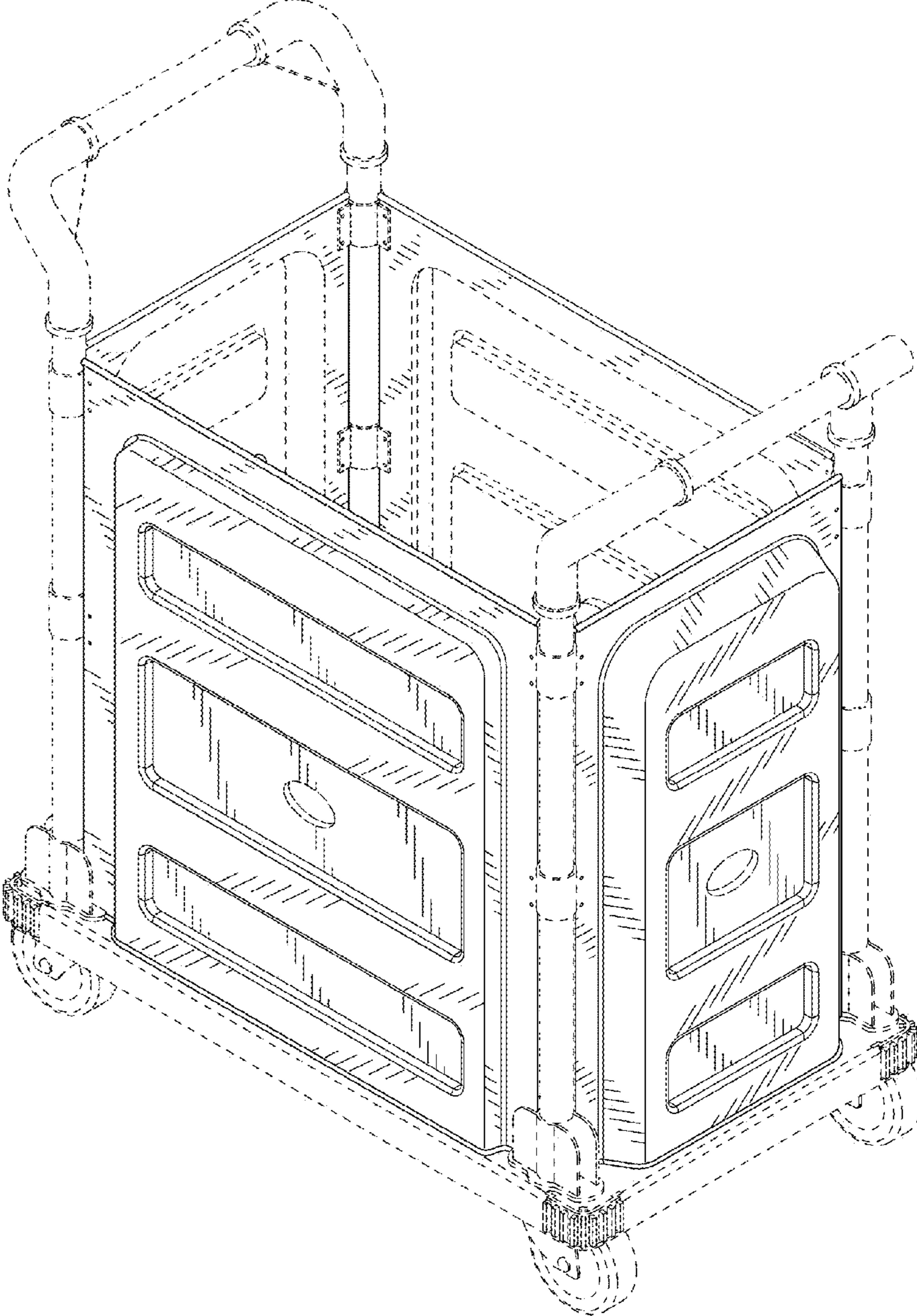


FIG. 1

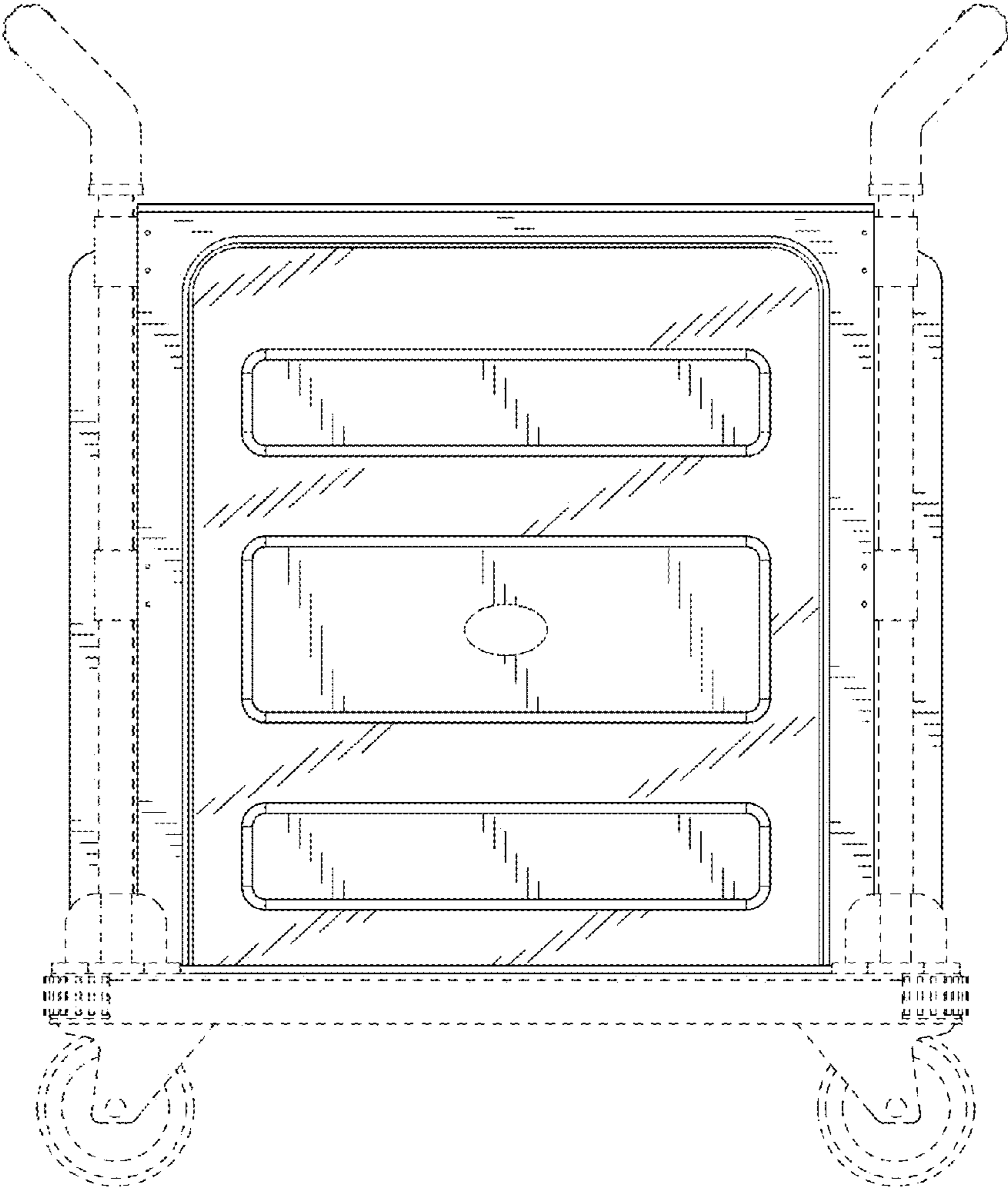


FIG. 2

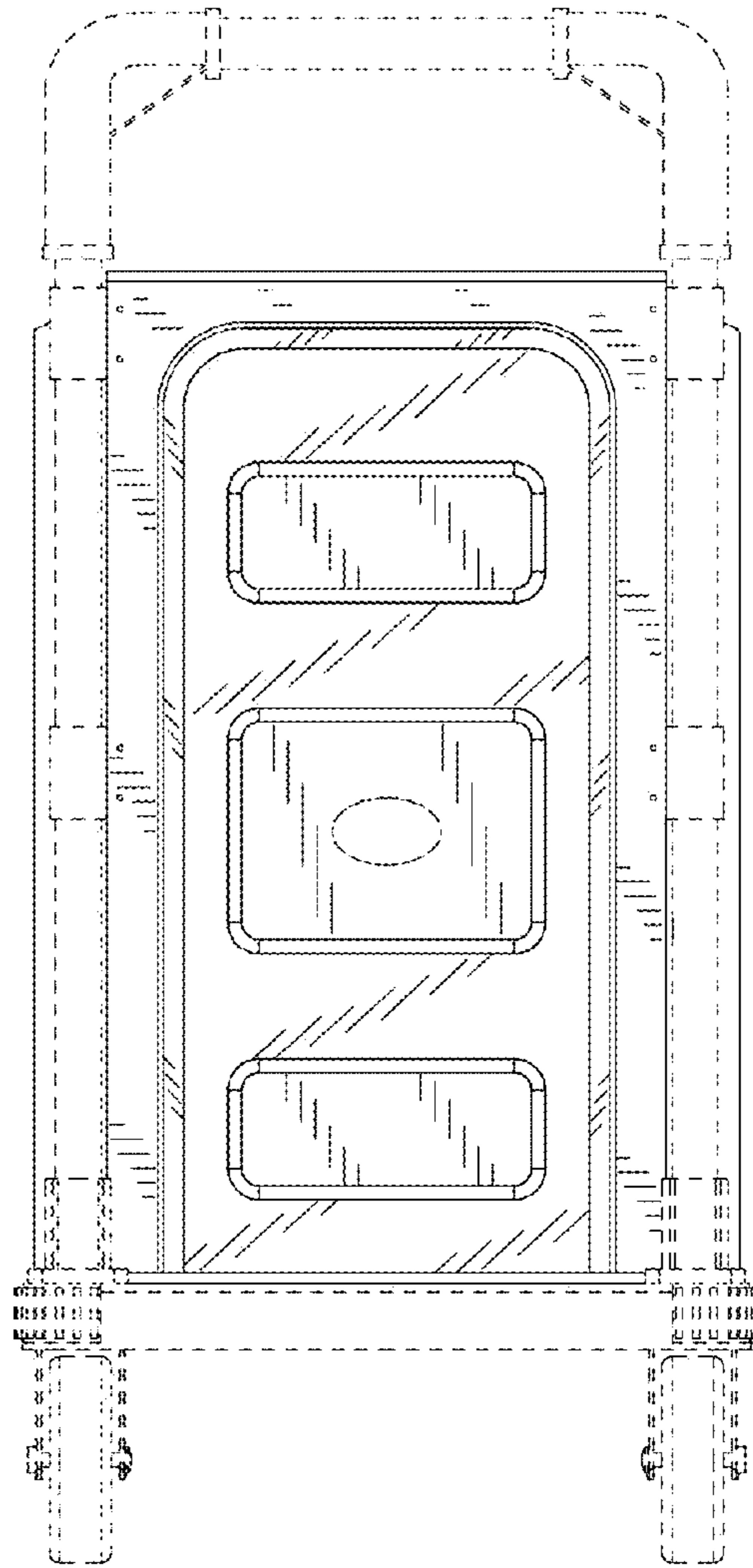


FIG. 3

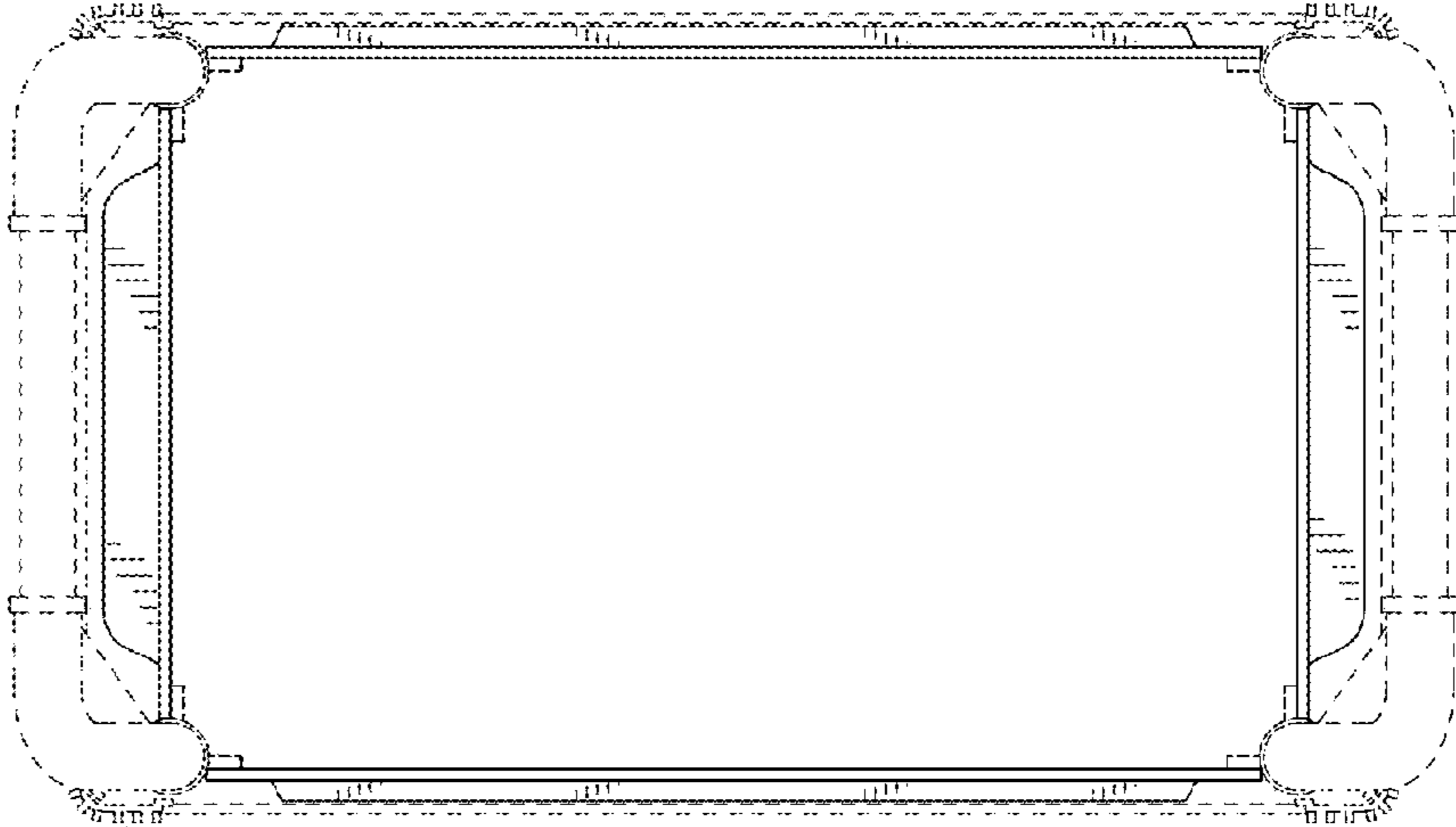


FIG. 4

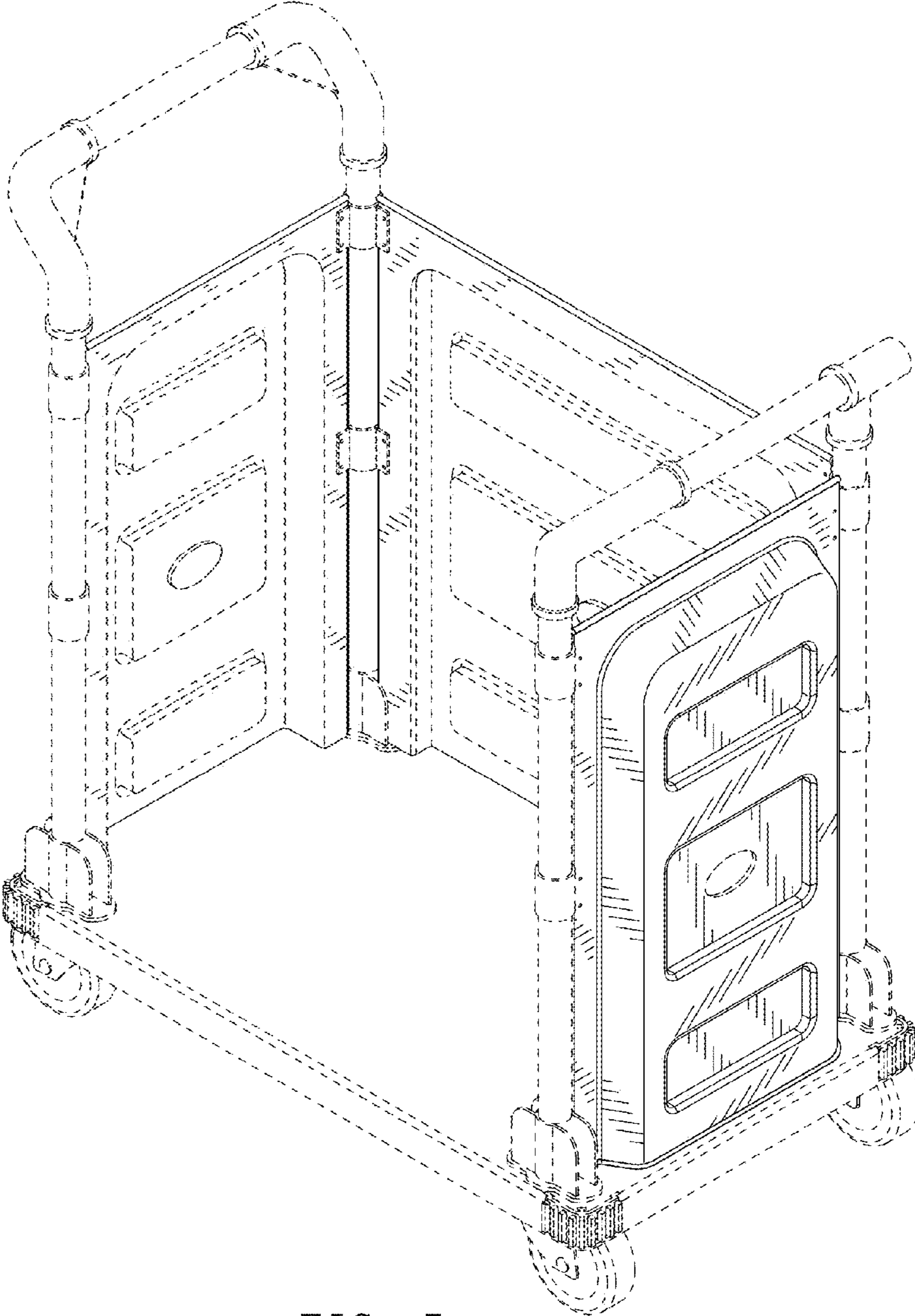


FIG. 5