



US00D763532S

(12) **United States Design Patent**
Huang

(10) **Patent No.:** **US D763,532 S**
(45) **Date of Patent:** **** Aug. 9, 2016**

(54) **GARDEN CART**
(71) Applicant: **Hsueh Li Huang**, Hsinchu (TW)
(72) Inventor: **Hsueh Li Huang**, Hsinchu (TW)
(**) Term: **14 Years**
(21) Appl. No.: **29/521,566**
(22) Filed: **Mar. 24, 2015**
(51) **LOC (10) Cl.** **12-02**
(52) **U.S. Cl.**
USPC **D34/12**
(58) **Field of Classification Search**
USPC D34/12-27; 280/30, 47.24, 47.34, 656,
280/87.021, 651, 655, 652
CPC B62D 63/061; B62J 9/00; B62B 2202/404
See application file for complete search history.

7,581,736 B1 * 9/2009 Garza, Jr. B25H 3/02
280/47.34
D601,772 S * 10/2009 de Rueda D34/12
D661,451 S * 6/2012 Armstrong, Sr. D34/17
D679,466 S * 4/2013 McCullough D34/17
8,448,978 B2 * 5/2013 Alvarino B62D 63/061
280/638
8,453,771 B1 * 6/2013 Hirschfeld B60L 8/003
180/19.1
8,505,932 B1 * 8/2013 Piccirillo B62B 5/0003
280/30
8,905,423 B2 * 12/2014 Hart B62D 63/061
280/415.1
2011/0025005 A1 * 2/2011 Howell B62B 3/007
280/47.24
2012/0133112 A1 * 5/2012 Myrant B62B 1/208
280/655

* cited by examiner

Primary Examiner — Cynthia Ramirez
(74) *Attorney, Agent, or Firm* — Cheng-Ju Chiang

(56) **References Cited**

U.S. PATENT DOCUMENTS

D186,980 S * 1/1960 Molitor 280/47.35
D191,504 S * 10/1961 Zupancic D34/17
3,931,985 A * 1/1976 Knebel B62B 1/208
220/7
4,856,810 A * 8/1989 Smith B62B 3/02
280/37
4,878,682 A * 11/1989 Lee B62B 3/025
211/195
5,653,458 A * 8/1997 Chaparian B62B 3/02
280/30
5,915,722 A * 6/1999 Thrasher B62B 1/12
280/649
6,070,899 A * 6/2000 Gines B62B 5/0003
280/43.1
6,962,370 B2 * 11/2005 Simpson B62D 63/061
280/47.34
7,097,182 B1 * 8/2006 Liu B62B 3/02
280/42

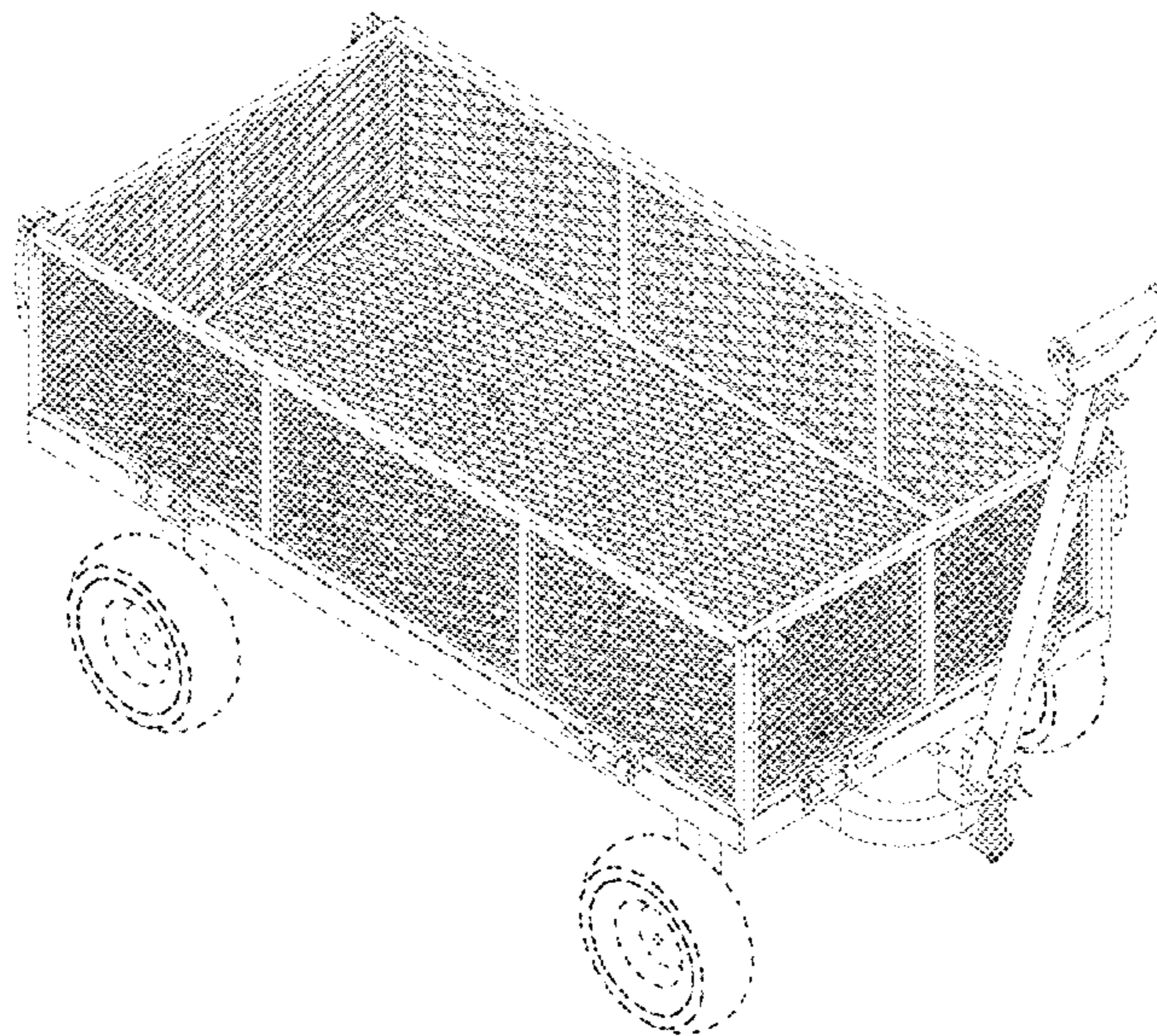
(57) **CLAIM**

The ornamental design for a garden cart, as shown and described.

DESCRIPTION

FIG. 1 is a front, left, top side perspective view of a garden cart showing my new design;
FIG. 2 is a front elevational view thereof;
FIG. 3 is a rear elevational view thereof;
FIG. 4 is a left side elevational view thereof;
FIG. 5 is a right side elevational view thereof;
FIG. 6 is a top plan view thereof; and,
FIG. 7 is a bottom plan view thereof.
The broken lines shown in the figures are included for the purpose of illustrating environment and form no part of the claimed design.

1 Claim, 7 Drawing Sheets



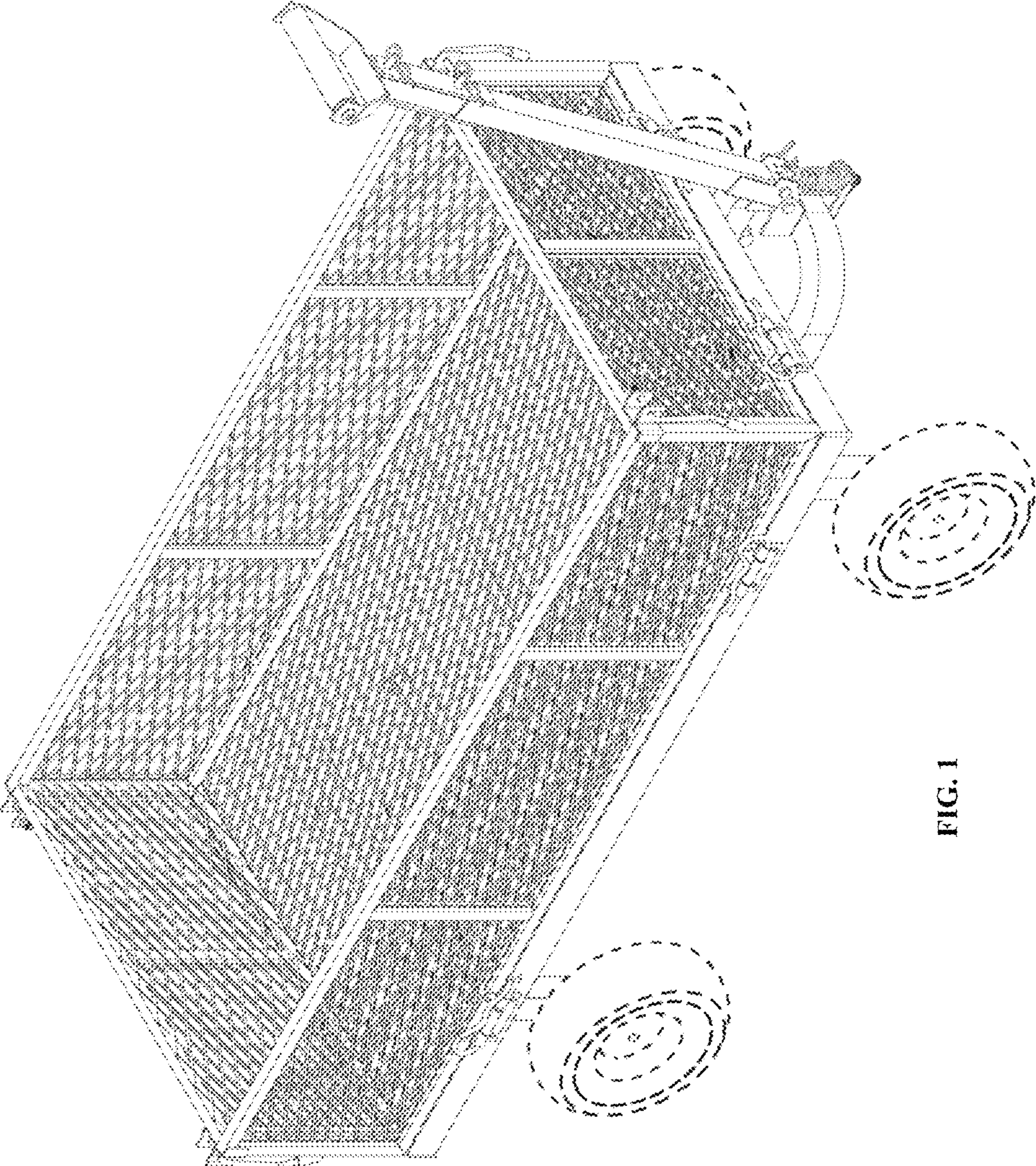


FIG. 1

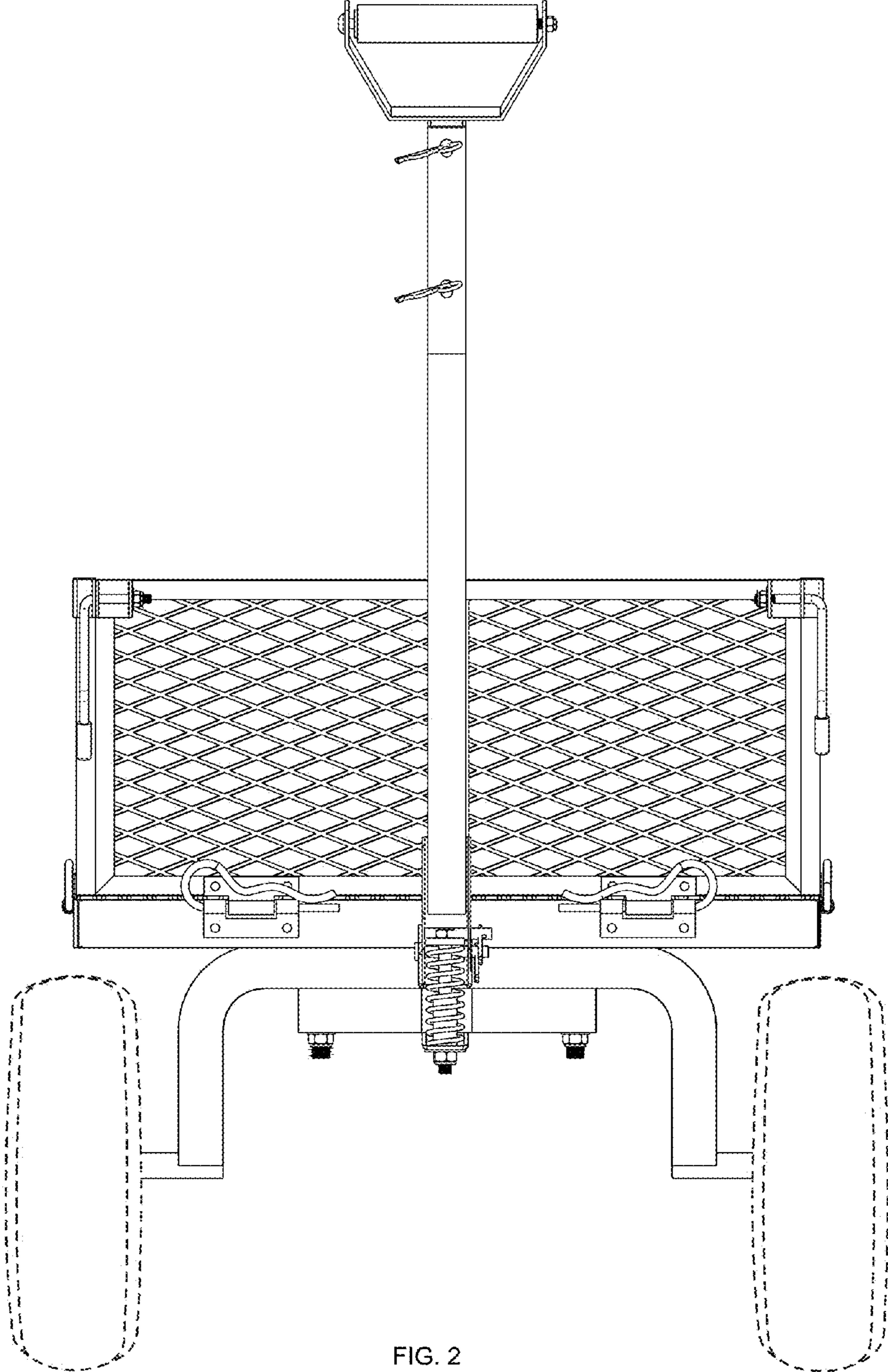


FIG. 2

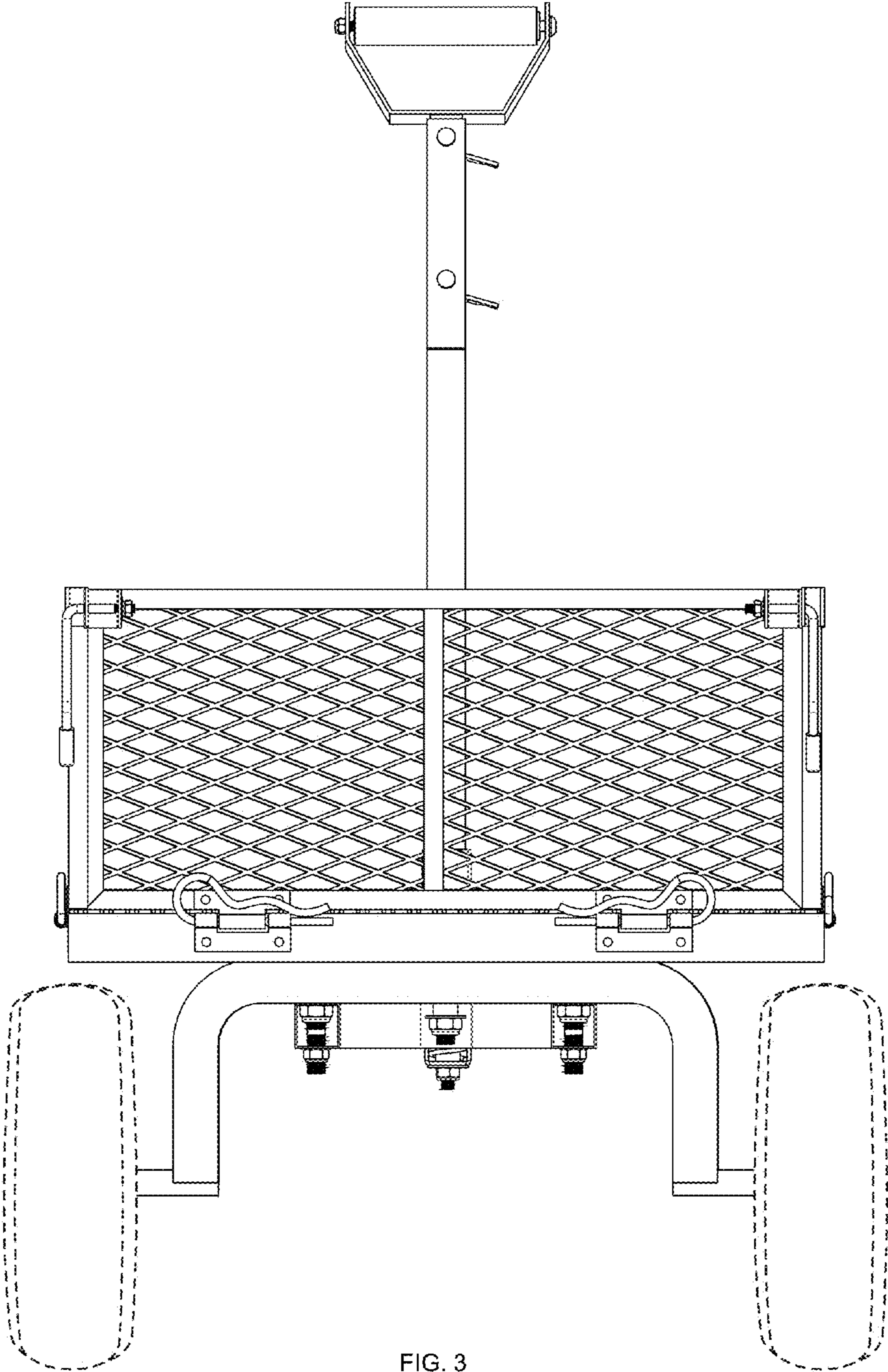


FIG. 3

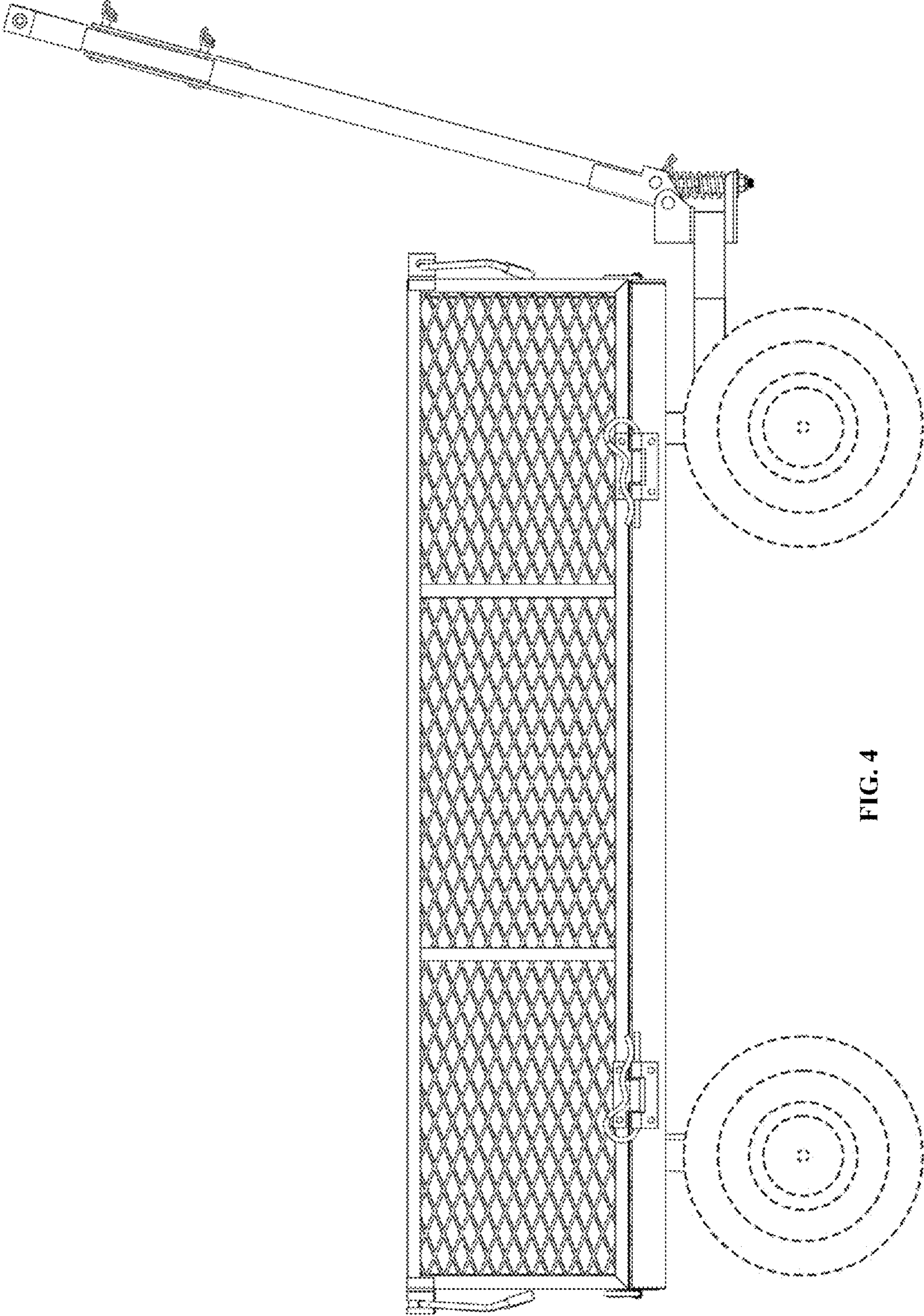


FIG. 4

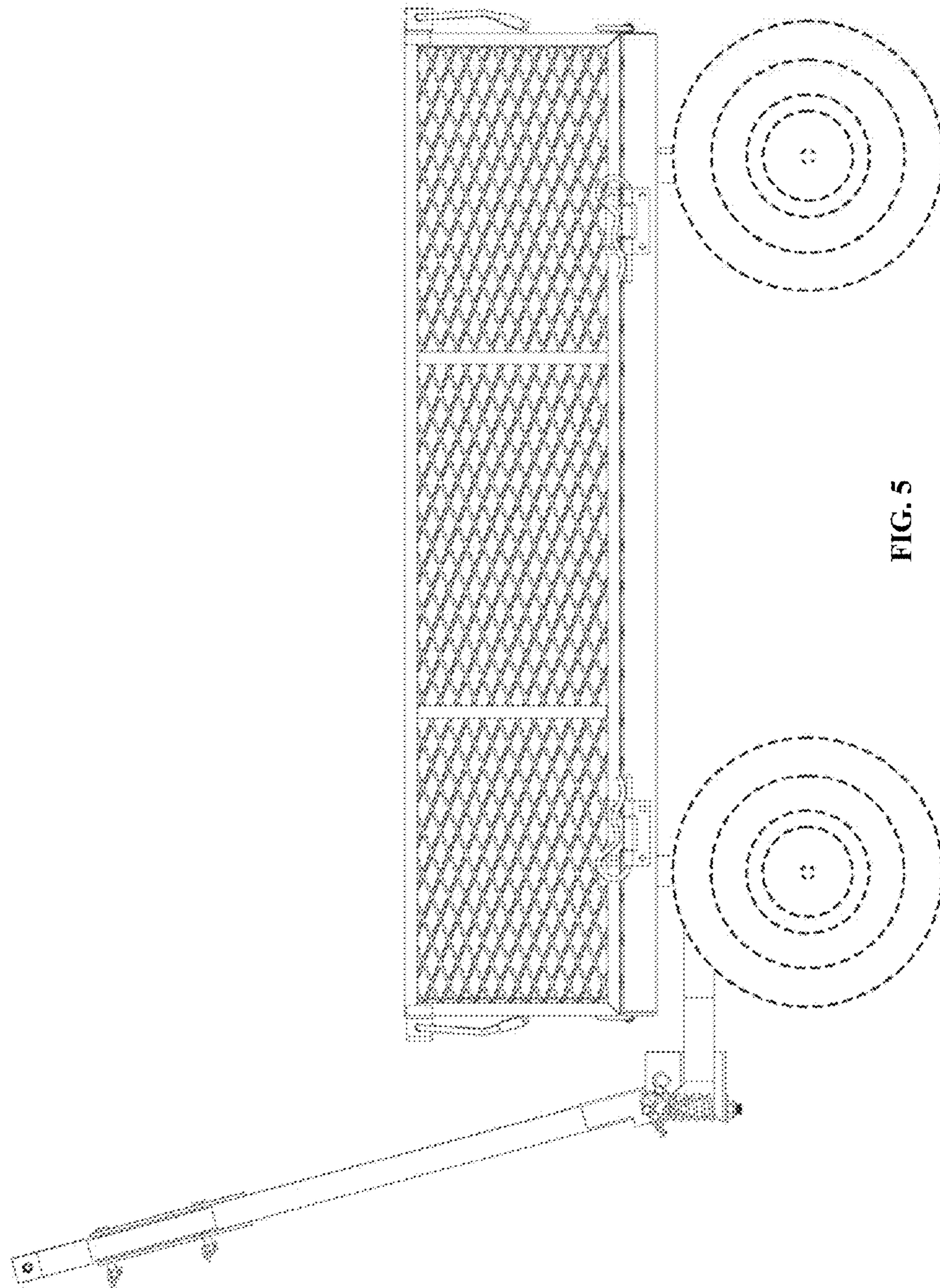


FIG. 5

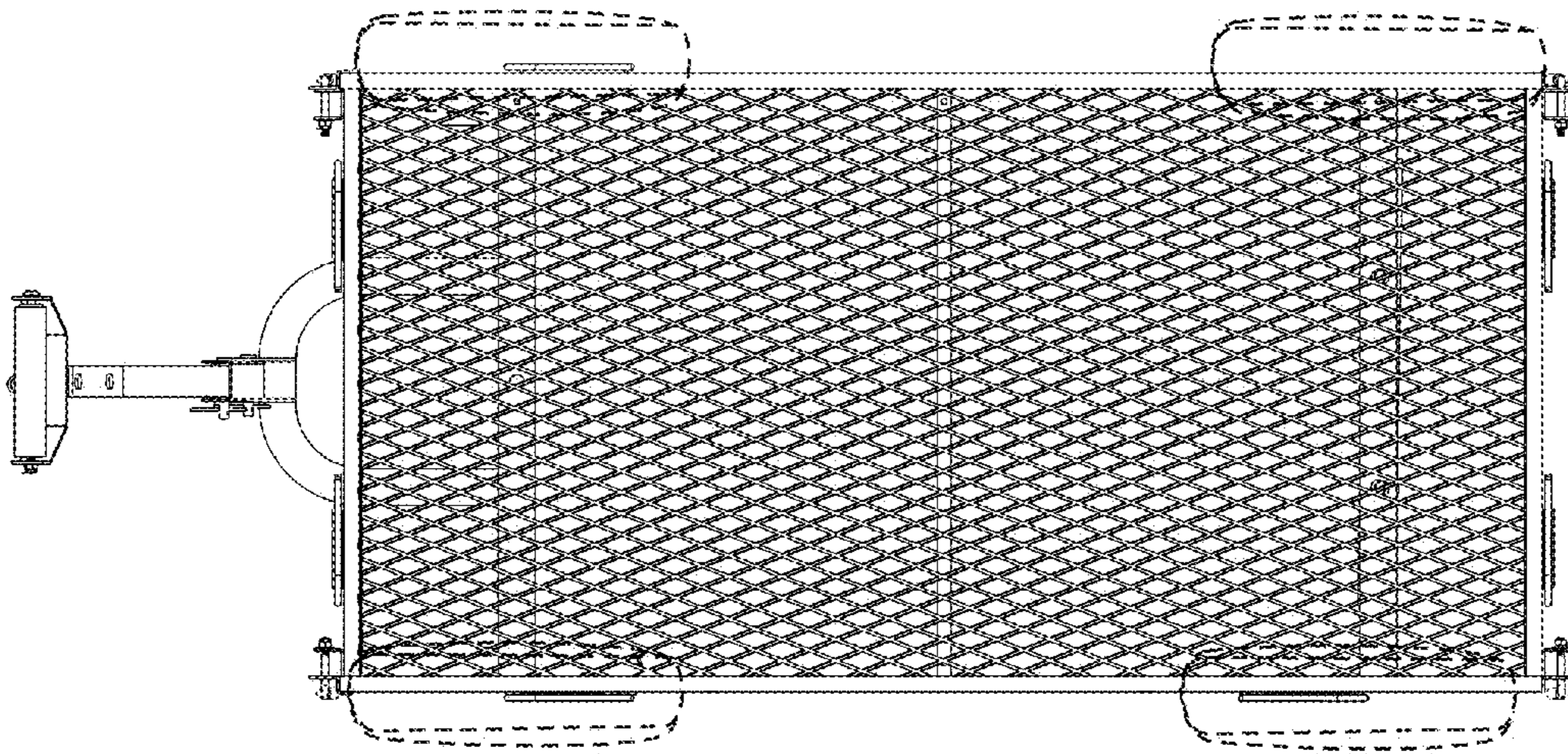


FIG. 6

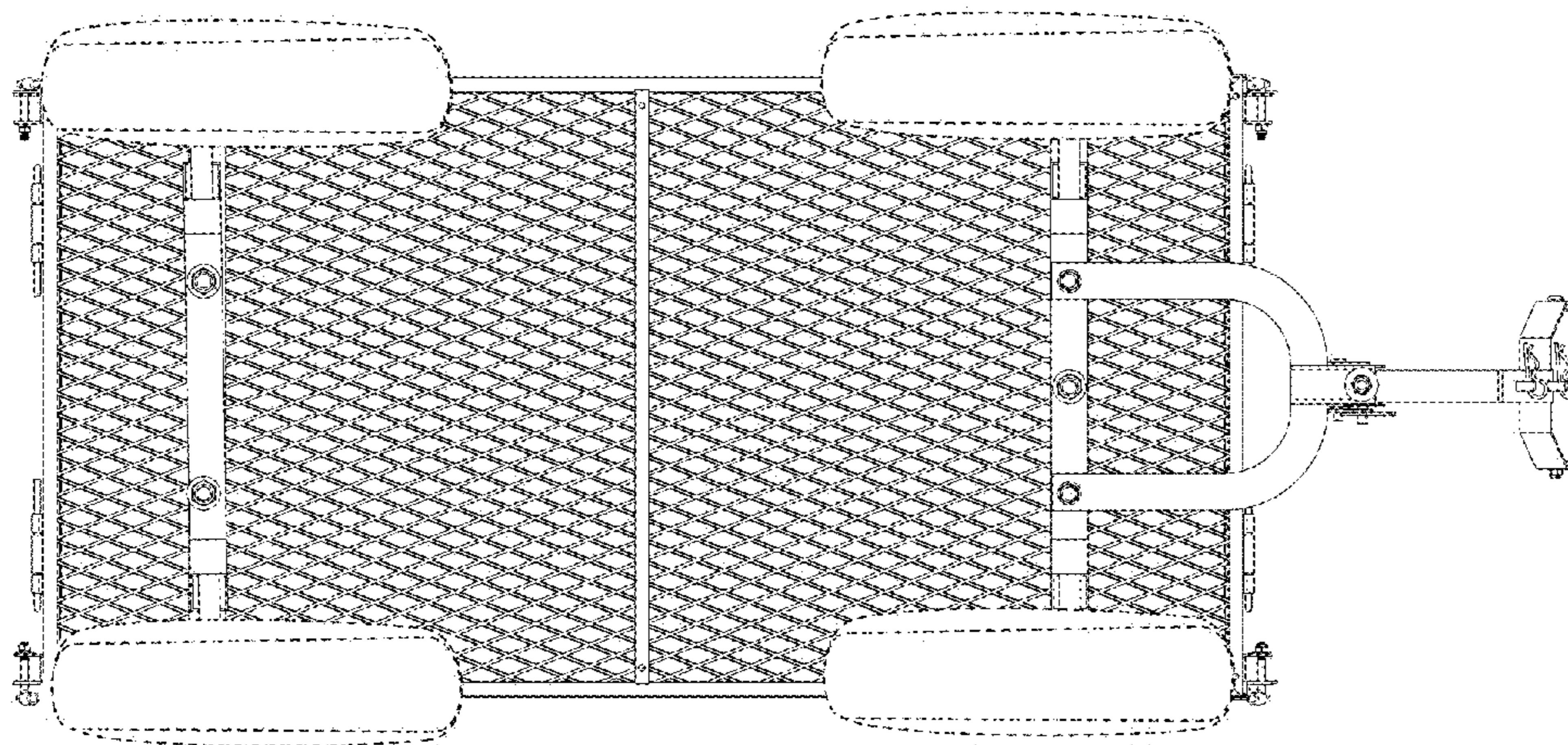


FIG. 7