



US00D763531S

(12) **United States Design Patent**
Mattern et al.

(10) **Patent No.:** **US D763,531 S**

(45) **Date of Patent:** **** Aug. 9, 2016**

(54) **HINGED LID RECEPTACLE**

D591,471 S * 4/2009 Lee D34/9
D644,391 S * 8/2011 Kopp D34/7
D659,930 S * 5/2012 Sheehan D34/6

(71) Applicant: **The Prestwick Group, Inc.**, Sussex, WI
(US)

(Continued)

(72) Inventors: **Alex Scott Mattern**, West Allis, WI
(US); **Benjamin Raymond Derouin**,
Franklin, WI (US); **Patrick William**
Bersch, Mequon, WI (US); **Jason**
Anthony Heard, Oconomowoc, WI
(US)

OTHER PUBLICATIONS

Max-R website material, Busser Stations, available at <http://www.max-r.net/store/busser-stations.asp>, illustrating products publically available prior to Dec. 5, 2013, accessed on Jan. 27, 2014, 1 page.

(Continued)

(73) Assignee: **The Prestwick Group, Inc.**, Sussex, WI
(US)

Primary Examiner — Cynthia Ramirez

(74) *Attorney, Agent, or Firm* — Reinhart Boerner Van Deuren s.c.

(**) Term: **14 Years**

(57) **CLAIM**

We claim the ornamental design for a hinged lid receptacle, as shown and described.

(21) Appl. No.: **29/495,080**

DESCRIPTION

(22) Filed: **Jun. 26, 2014**

(51) **LOC (10) Cl.** **09-09**

(52) **U.S. Cl.**
USPC **D34/7**

(58) **Field of Classification Search**
USPC D34/1-11; 220/908, 908.1, 909
CPC B65F 1/004; B65F 1/06; B65F 1/067;
B65F 1/006; B65F 1/0046; B65F 1/068;
B65F 1/16

See application file for complete search history.

FIG. 1 is a perspective view from above of a hinge lid receptacle showing our new design;
FIG. 2 is a perspective view from below thereof;
FIG. 3 is a front view thereof;
FIG. 4 is a rear view thereof;
FIG. 5 is a right side view thereof;
FIG. 6 is a left side view thereof;
FIG. 7 is a top view thereof;
FIG. 8 is a bottom view thereof;
FIG. 9 is another perspective view from above thereof;
FIG. 10 is another perspective view from below thereof;
FIG. 11 is another front view thereof;
FIG. 12 is another rear view thereof;
FIG. 13 is another right side view thereof;
FIG. 14 is another left side view thereof;
FIG. 15 is another top view thereof; and,
FIG. 16 is another bottom view thereof.

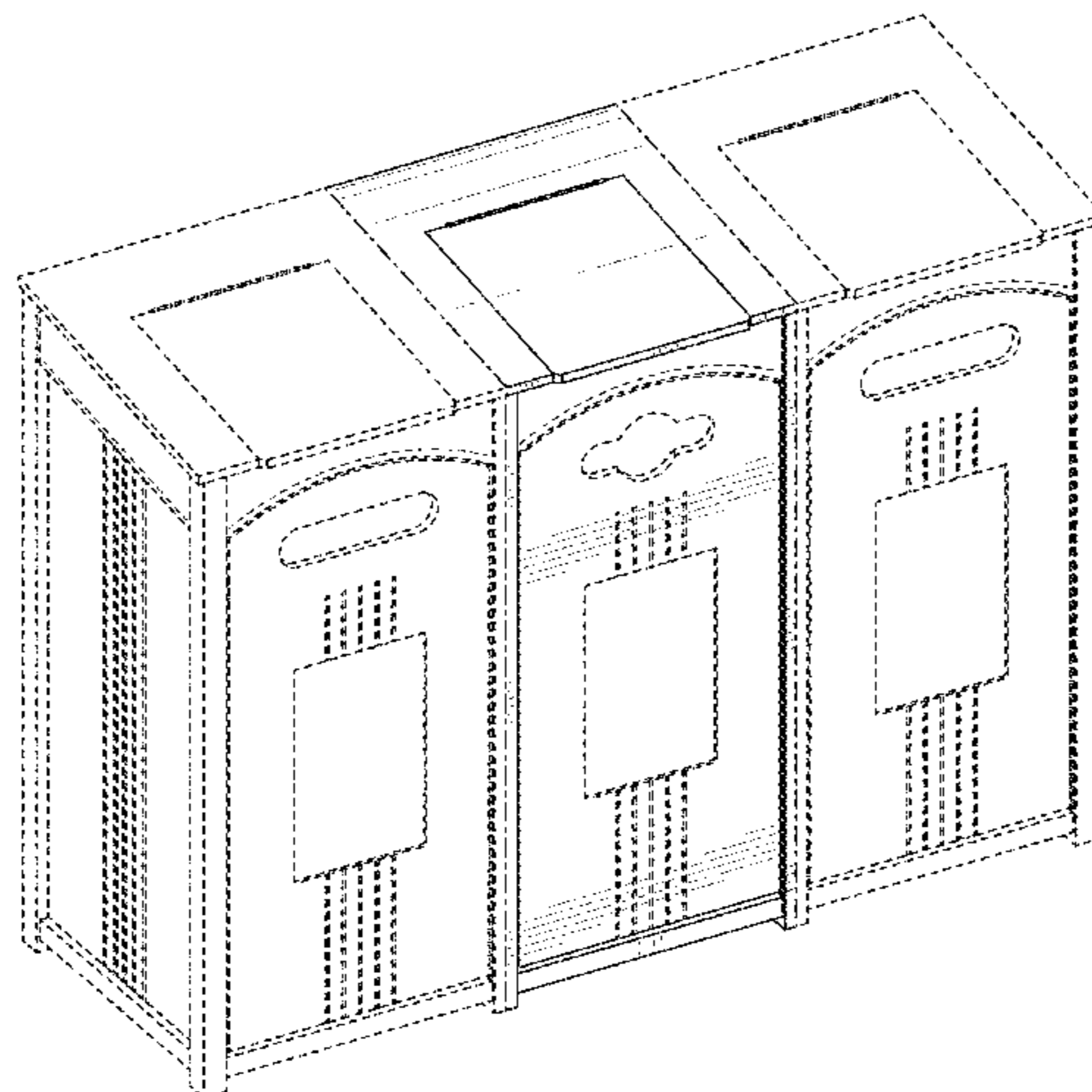
The ornamental design which is claimed is shown in solid lines in the drawings. The broken lines in the drawings are to show environment only and form no part of the claimed design. The dot-dash lines in the drawings represent a boundary between the claimed design and unclaimed subject matter.

(56) **References Cited**

U.S. PATENT DOCUMENTS

D142,649 S * 10/1945 Kohen 220/909
D323,729 S * 2/1992 Weiland D34/7
D327,152 S * 6/1992 Rose D34/1
5,167,343 A * 12/1992 Winfrey B65F 1/0046
100/102
5,381,916 A * 1/1995 Strawder B65D 21/0202
220/212
5,392,942 A * 2/1995 Hanson B65F 1/00
220/23.4
D507,089 S * 7/2005 Enayati D34/1

1 Claim, 14 Drawing Sheets



(56)

References Cited

U.S. PATENT DOCUMENTS

D659,932 S	*	5/2012	Sheehan	D34/6
D660,539 S	*	5/2012	Sheehan	D34/6
D668,414 S	*	10/2012	McNay	D34/7
D714,009 S	*	9/2014	Phillips	D34/7

OTHER PUBLICATIONS

Max-R website material, Restaurants, available at http://www.max-r.net/cafeteria_restuarants.asp, illustrating products publically available prior to Dec. 5, 2013, accessed on Jan. 27, 2014, 2 pages.

Max-R website material, Max-R's Halston Collection—Recycling Bins, Waste Bins, available at http://www.max-r.net/store/halston_collection.asp, illustrating products publically available prior to Dec. 5, 2013, accessed on Jan. 27, 2014, 2 pages.

Max-R website material, Lamboo® Material, available at <http://www.max-r.net/lamboo.asp>, illustrating products publically available prior to Dec. 5, 2013, accessed on Jan. 27, 2014, 2 pages.

Max-R website material, Oxford Collection—Recycling Bins, Waste Bins, available at http://www.max-r.net/store/oxford_collection.asp, illustrating products publically available prior to Dec. 5, 2013, accessed on Jan. 27, 2014, 2 pages.

Max-R website material, Max-R's Terra Collection—Recycling Bins, Waste Bins, available at http://www.max-r.net/store/terra_collection.asp, illustrating products publically available prior to Dec. 5, 2013, accessed on Jan. 27, 2014, 2 pages.

Max-R website material, Towel Stations, available at <http://www.max-r.net/store/towel-stations.asp>, illustrating products publically available prior to Dec. 5, 2013, accessed on Jan. 27, 2014, 1 page.

Max-R website material, Tuscany Collection—Waste Recycling Bins, available at http://www.max-r.net/store/tuscany_collection.asp, illustrating products publically available prior to Dec. 5, 2013, accessed on Jan. 27, 2014, 2 pages.

Max-R website material, Max-R's Verde Collection—Recycling Bins, Waste Bins, available at http://www.max-r.net/store/verde_

[collection.asp](#), illustrating products publically available prior to Dec. 5, 2013, accessed on Jan. 27, 2014, 2 pages.

Max-R website material, Waste and Recycling Bins p. 1, available at <http://www.max-r.net/store/waste-and-recycling-bins.asp>, illustrating products publically available prior to Dec. 5, 2013, accessed on Jan. 27, 2014, 2 pages.

Max-R website material, Waste and Recycling Bins p. 2, available at <http://www.max-r.net/store/waste-and-recycling-bins.asp>, illustrating products publically available prior to Dec. 5, 2013, accessed on Jan. 27, 2014, 2 pages.

Max-R website material, Waste and Recycling Bins p. 3, available at <http://www.max-r.net/store/waste-and-recycling-bins.asp>, illustrating products publically available prior to Dec. 5, 2013, accessed on Jan. 27, 2014, 2 pages.

Max-R website material, Waste and Recycling Bins p. 4, available at <http://www.max-r.net/store/waste-and-recycling-bins.asp>, illustrating products publically available prior to Dec. 5, 2013, accessed on Jan. 27, 2014, 2 pages.

Max-R website material, Waste and Recycling Bins p. 5, available at <http://www.max-r.net/store/waste-and-recycling-bins.asp>, illustrating products publically available prior to Dec. 5, 2013, accessed on Jan. 27, 2014, 2 pages.

Max-R website material, Waste and Recycling Bins p. 6, available at <http://www.max-r.net/store/waste-and-recycling-bins.asp>, illustrating products publically available prior to Dec. 5, 2013, accessed on Jan. 27, 2014, 2 pages.

Max-R website material, Waste and Recycling Bins p. 7, available at <http://www.max-r.net/store/waste-and-recycling-bins.asp>, illustrating products publically available prior to Dec. 5, 2013, accessed on Jan. 27, 2014, 2 pages.

Max-R website material, Waste and Recycling Bins p. 8, available at <http://www.max-r.net/store/waste-and-recycling-bins.asp>, illustrating products publically available prior to Dec. 5, 2013, accessed on Jan. 27, 2014, 2 pages.

Waste/Recycle Unit Specifications and Bin and Meeting Room Waste/Recycle Bin Concept Drawings, conceived of and drawn by third party, dated May 7, 2012, 3 pages.

* cited by examiner

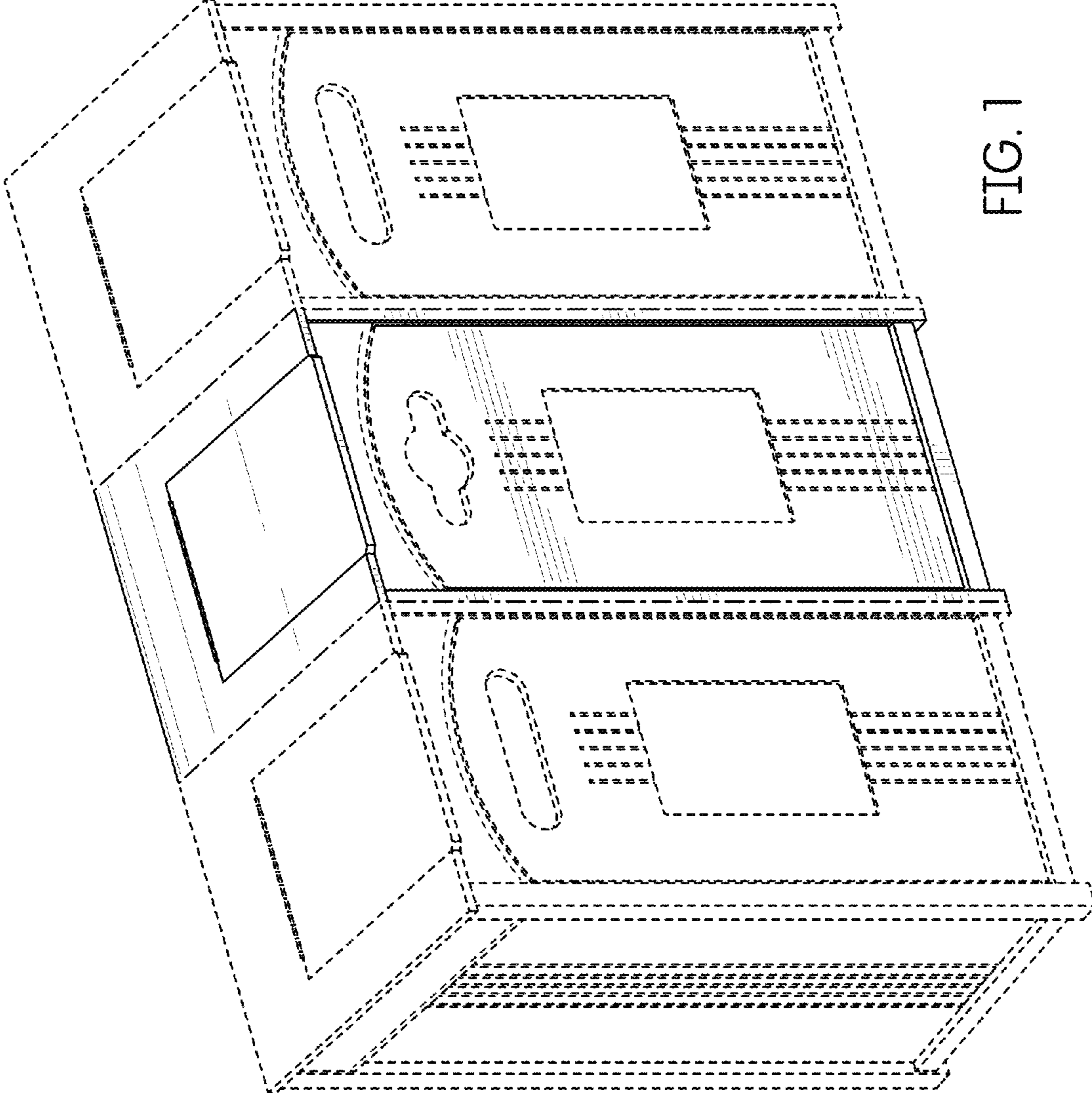


FIG. 1

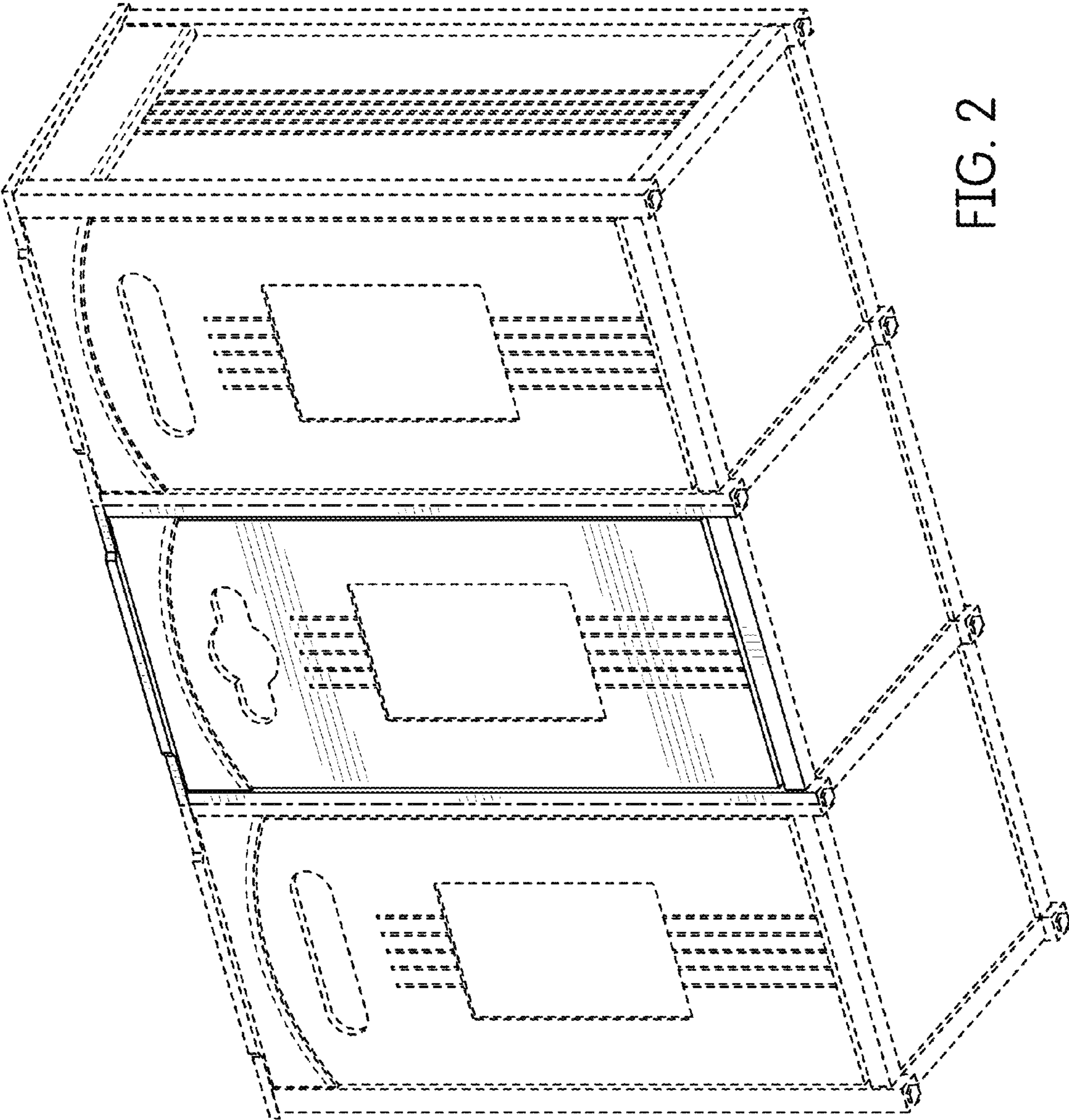


FIG. 2

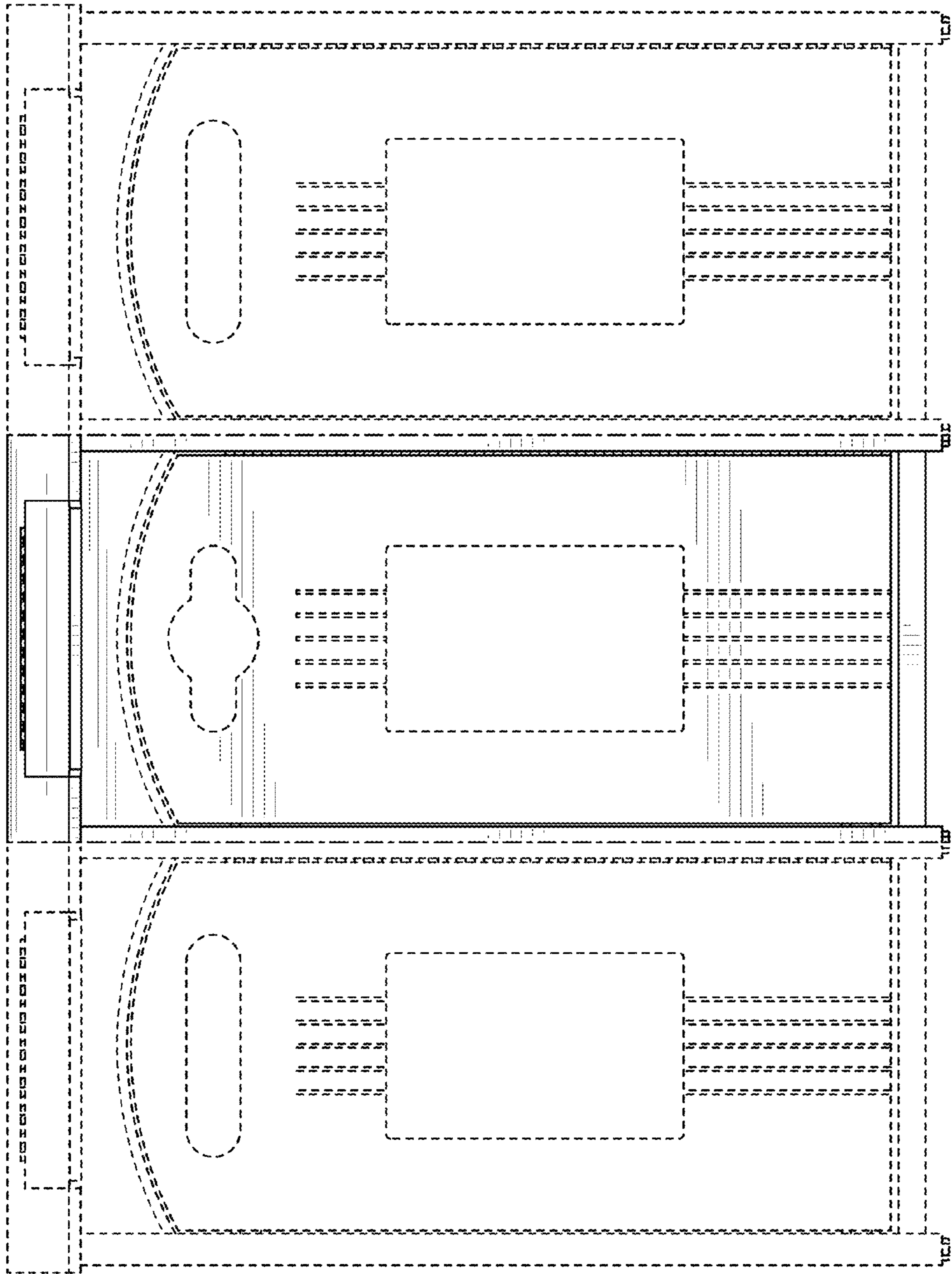


FIG. 3

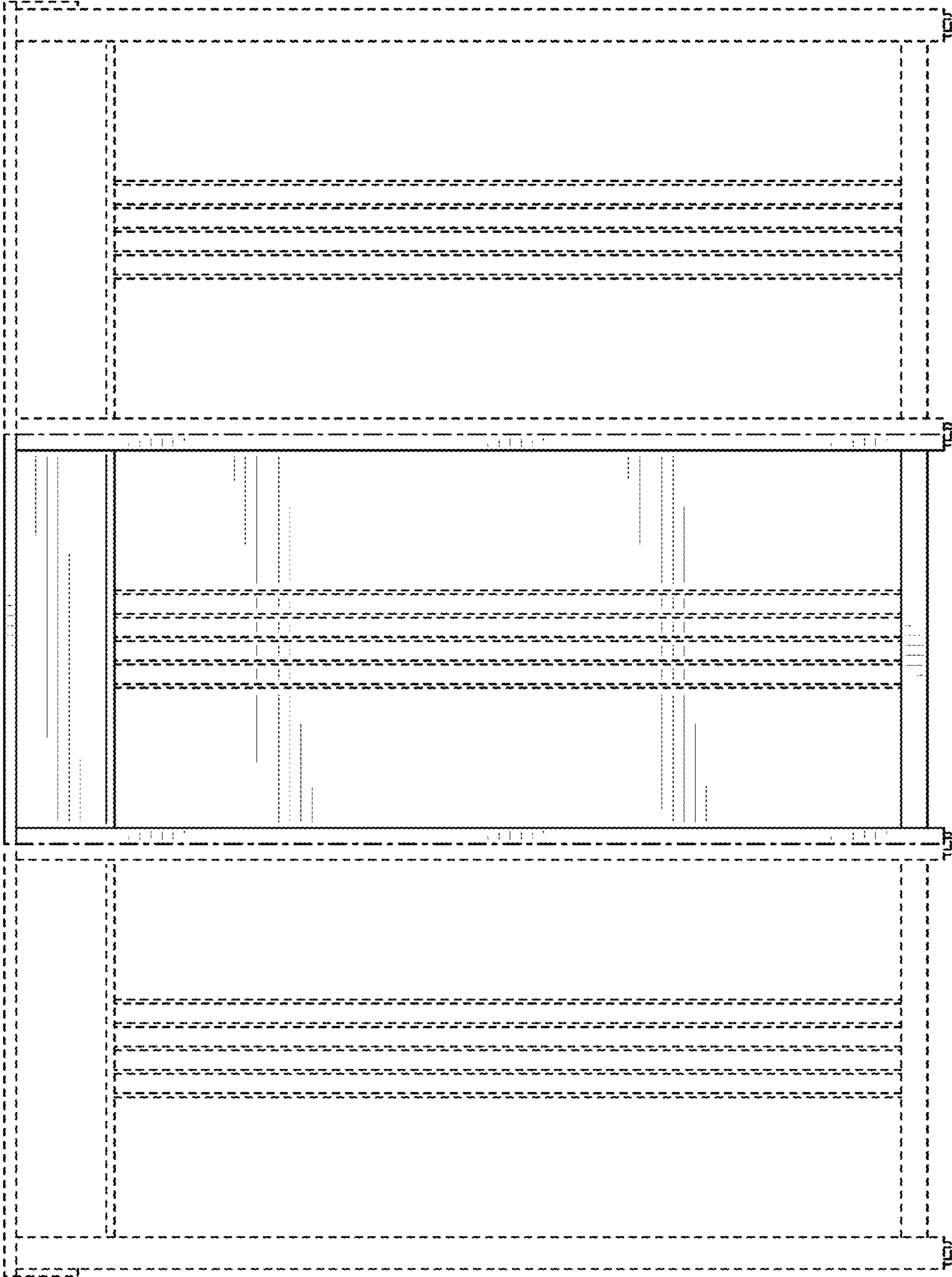


FIG. 4

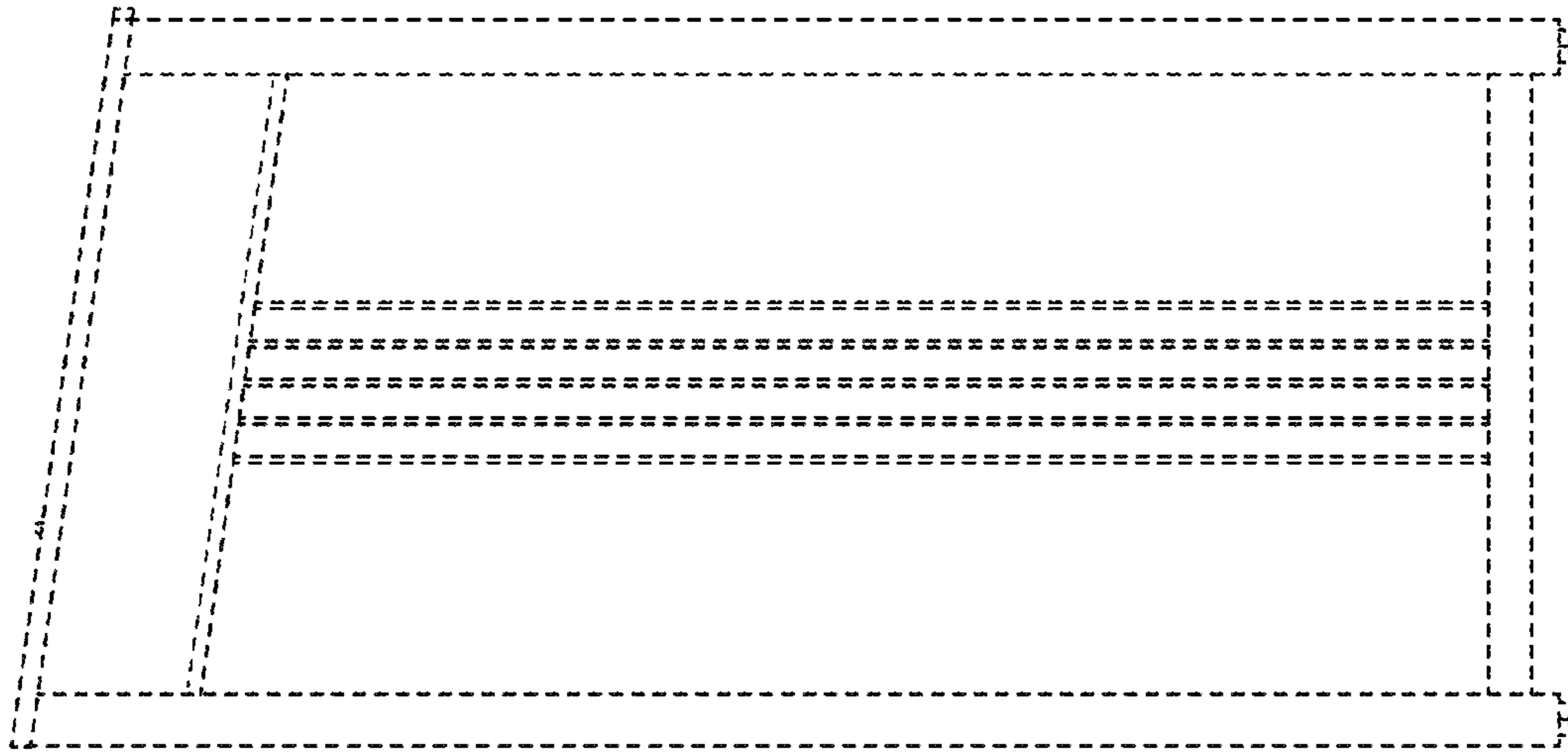


FIG. 5

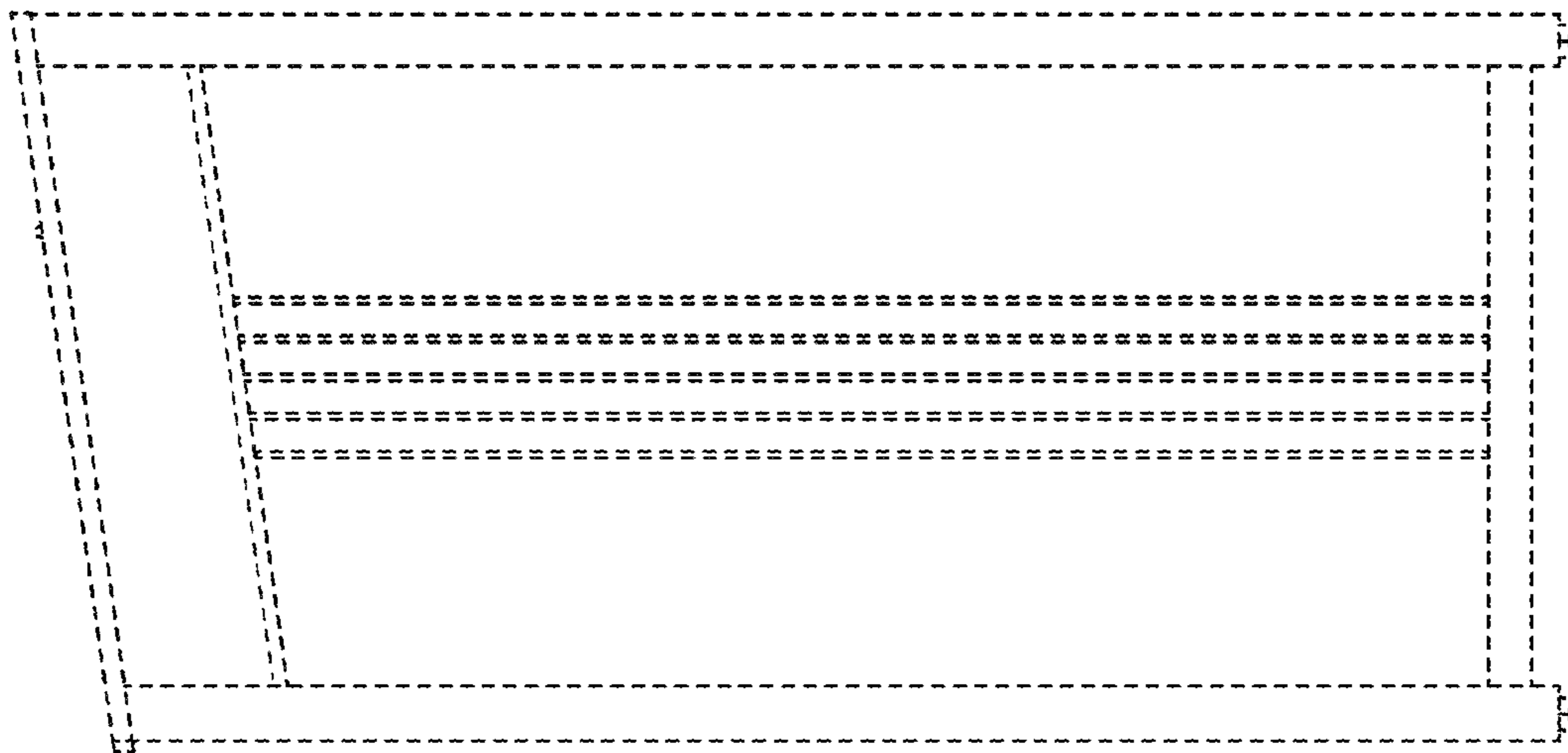


FIG. 6

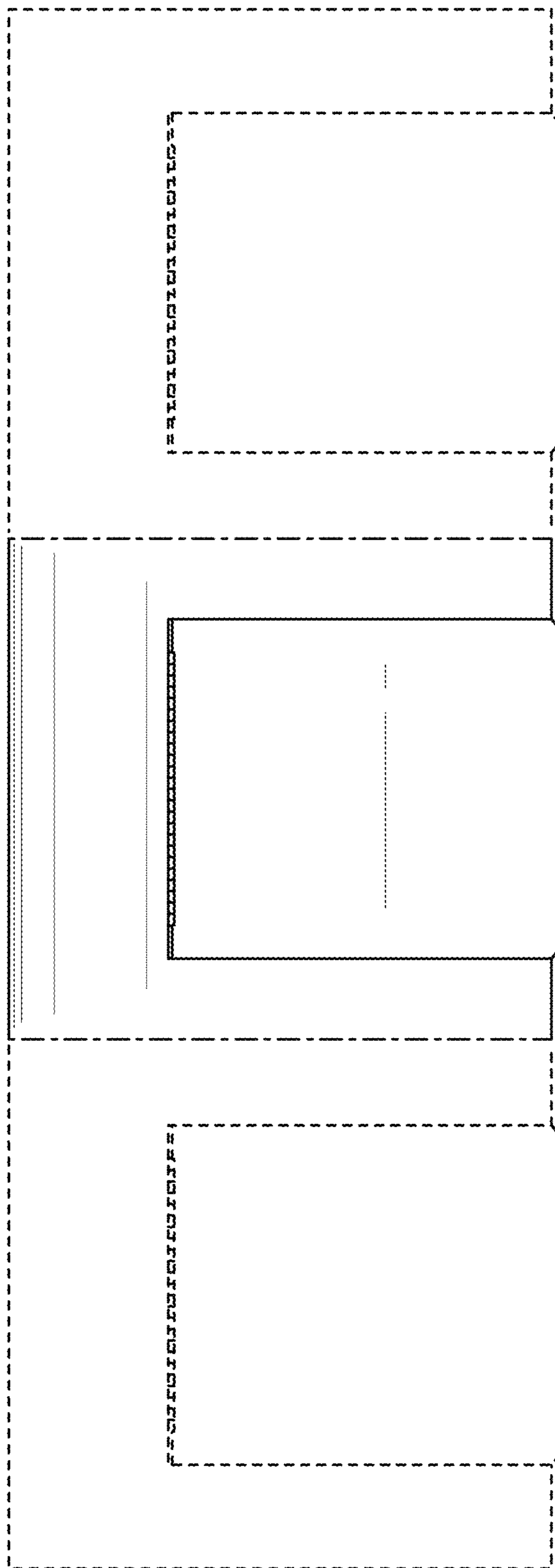


FIG. 7

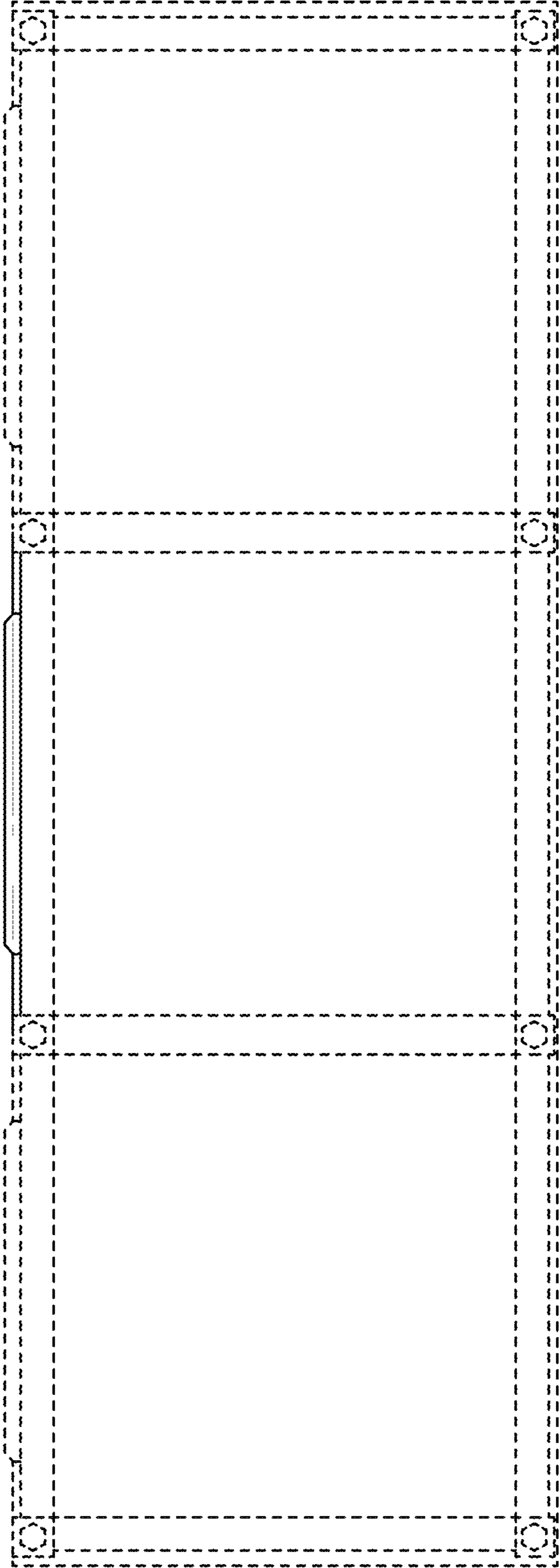


FIG. 8

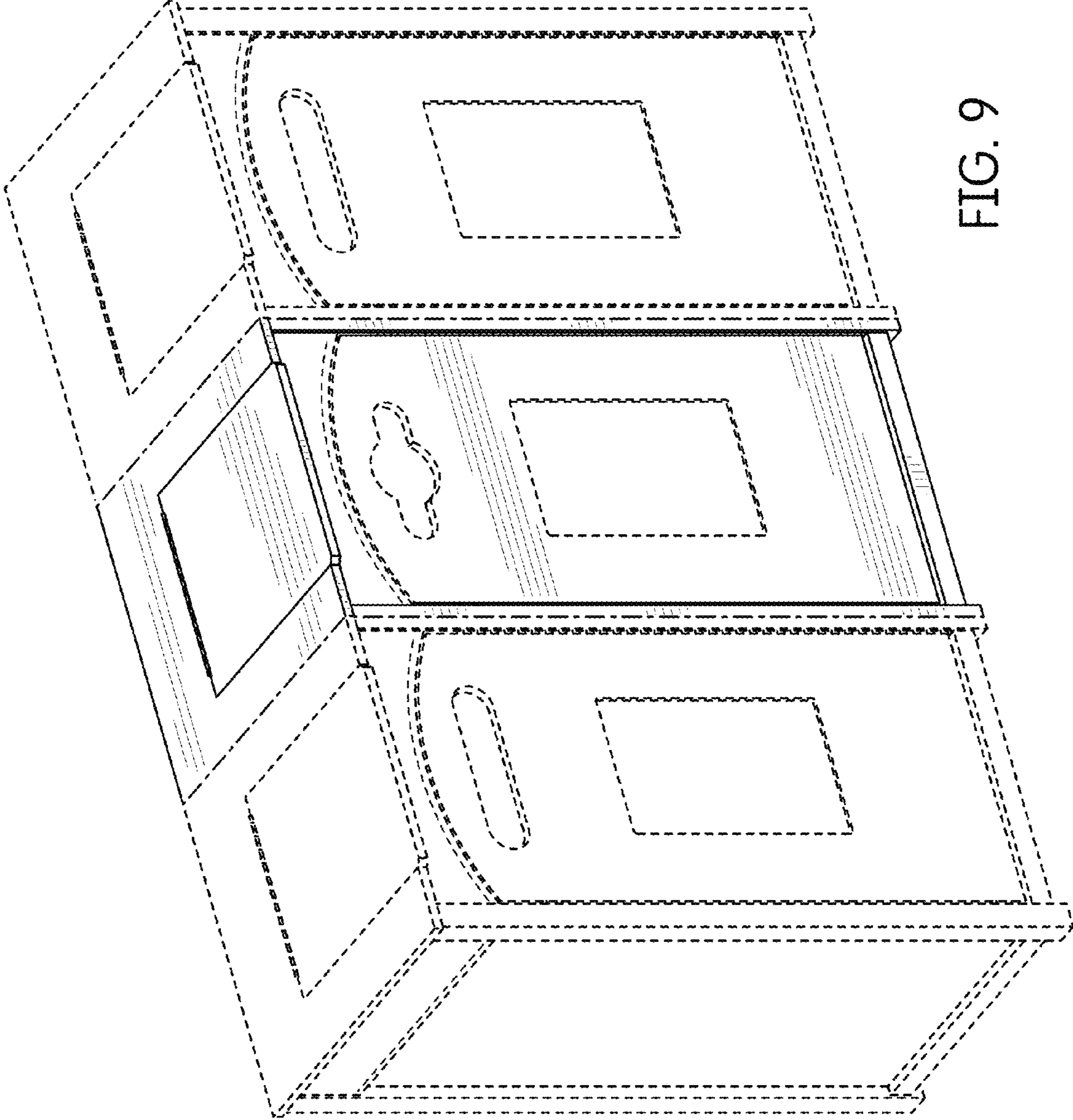


FIG. 9

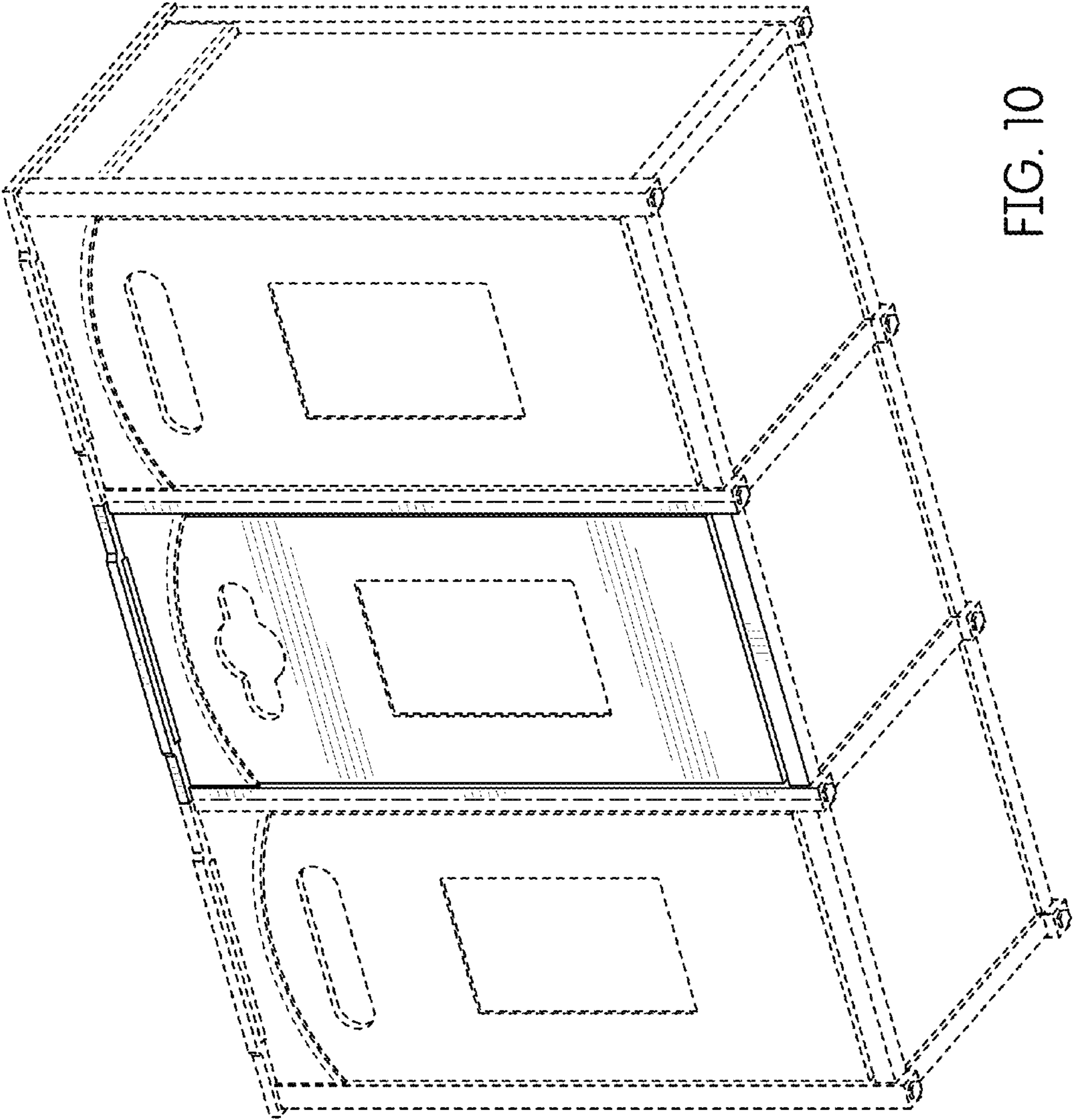


FIG. 10

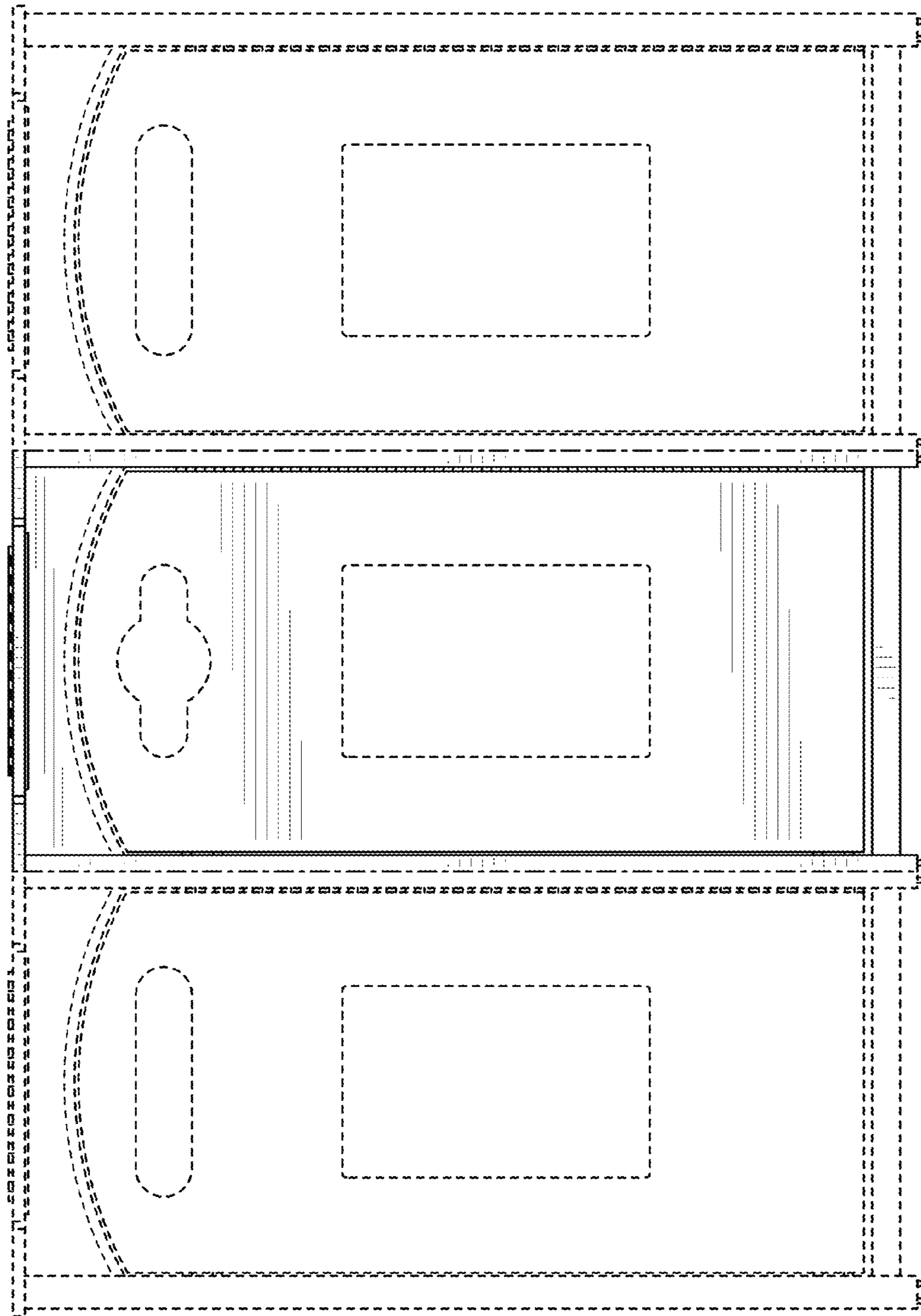


FIG. 11

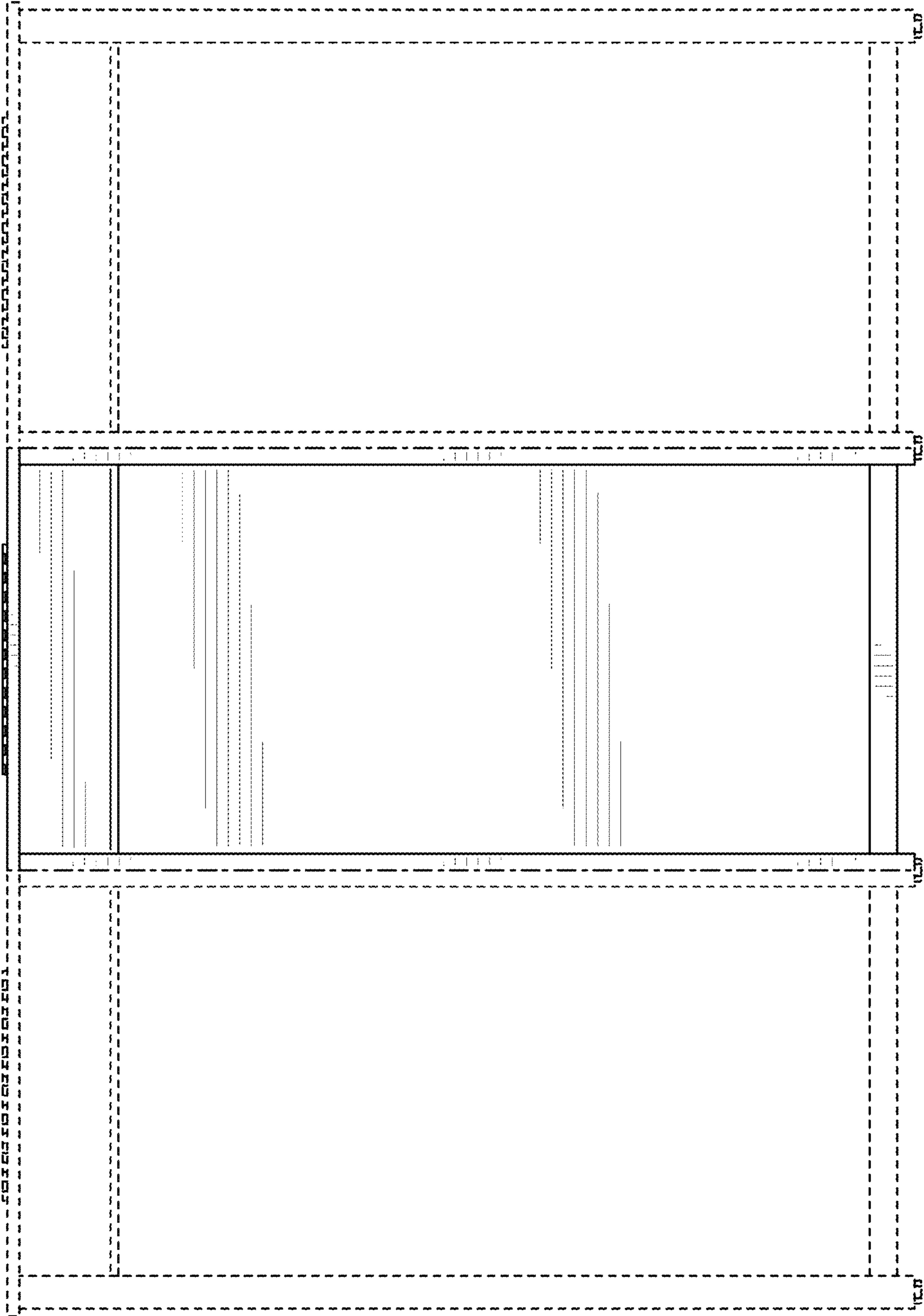


FIG. 12

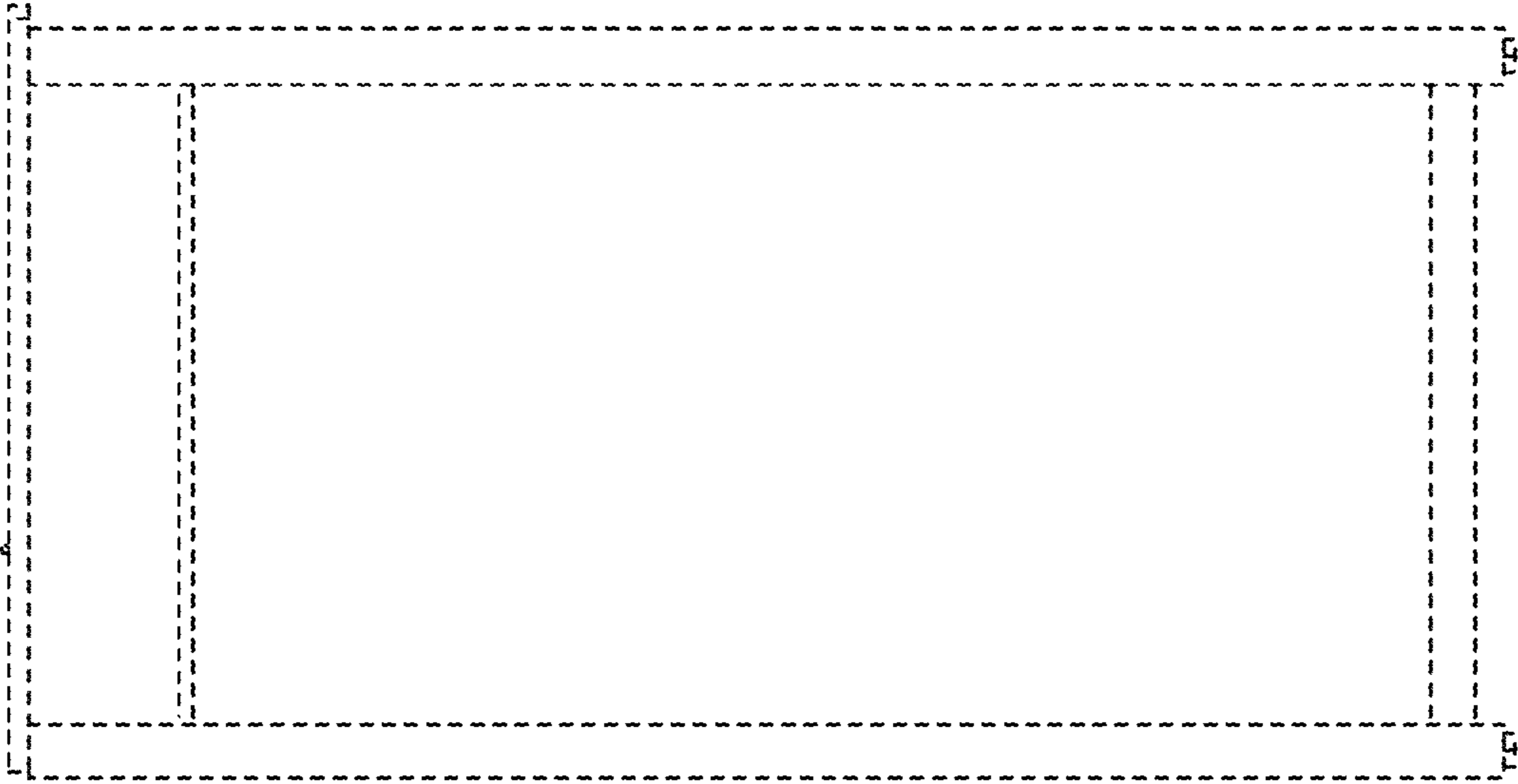


FIG. 14

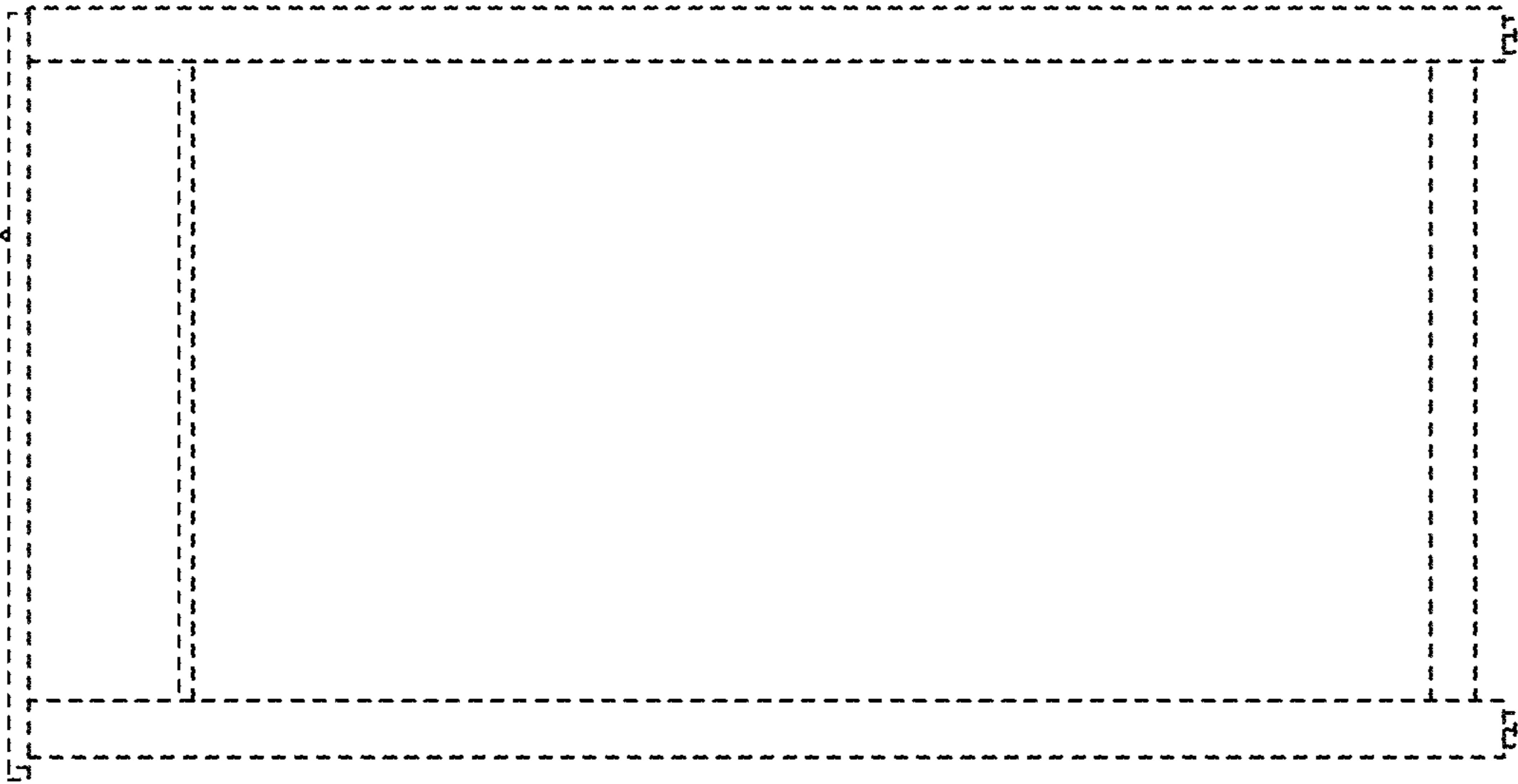


FIG. 13

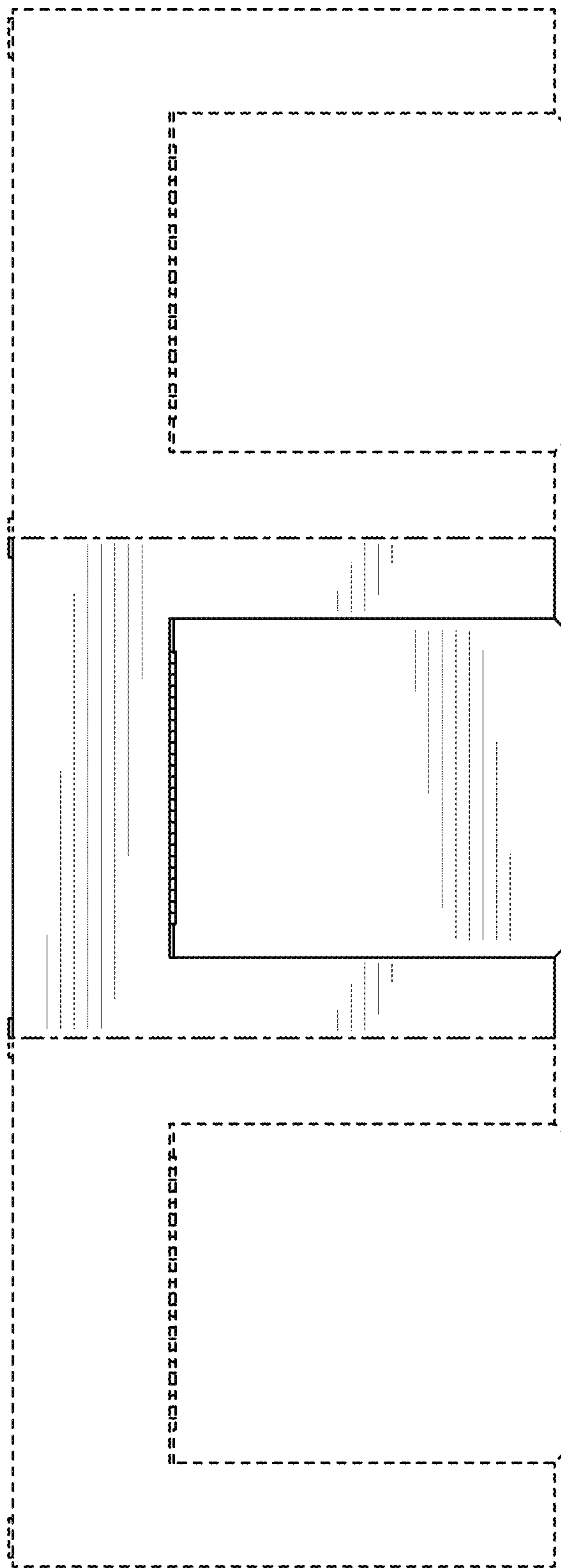


FIG. 15

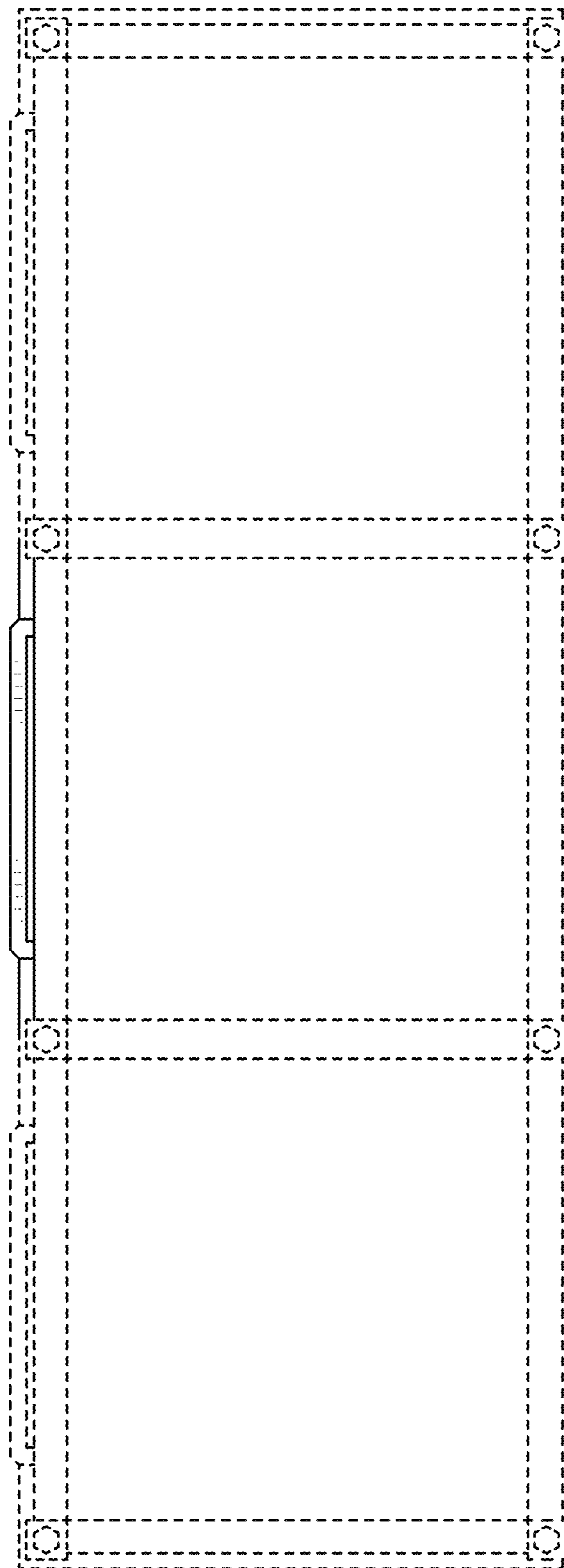


FIG. 16