

US00D763526S

(12) **United States Design Patent**
Choi et al.

(10) **Patent No.:** **US D763,526 S**
(45) **Date of Patent:** **** Aug. 9, 2016**

(54) **LINT TRAP**

D531,769 S * 11/2006 Lin D32/21
D533,321 S * 12/2006 Peng D32/21
D533,694 S * 12/2006 Cheng D32/21

(71) Applicant: **Samsung Electronics Co., Ltd.**,
Suwon-Si (KR)

(Continued)

(72) Inventors: **Hyoung-Sub Choi**, Goyang-si (KR);
Jung-Hoon Hwang, Yongin-si (KR);
Deok-Sang Yun, Ahnsan-Si (KR)

FOREIGN PATENT DOCUMENTS

(73) Assignee: **Samsung Electronics Co., Ltd.**,
Suwon-si (KR)

CN 201330135335.0 8/2013
JP D2001-8480 11/2001
JP D2008-28473 12/2009
JP D2011-16698 3/2012

(**) Term: **14 Years**

Primary Examiner — T. Chase Nelson
Assistant Examiner — Michelle E Wilson
(74) *Attorney, Agent, or Firm* — NSIP Law

(21) Appl. No.: **29/522,743**

(22) Filed: **Apr. 2, 2015**

(57) **CLAIM**

We claim the ornamental design for a lint trap, as shown and described.

(30) **Foreign Application Priority Data**

DESCRIPTION

Oct. 8, 2014 (KR) 30-2014-0048485

(51) **LOC (10) Cl.** **15-05**

(52) **U.S. Cl.**
USPC **D32/25**

(58) **Field of Classification Search**
USPC D32/1, 21, 23, 25, 31, 32, 33
CPC D06F 58/20; D06F 58/22; B01D 46/10;
F26B 25/007
See application file for complete search history.

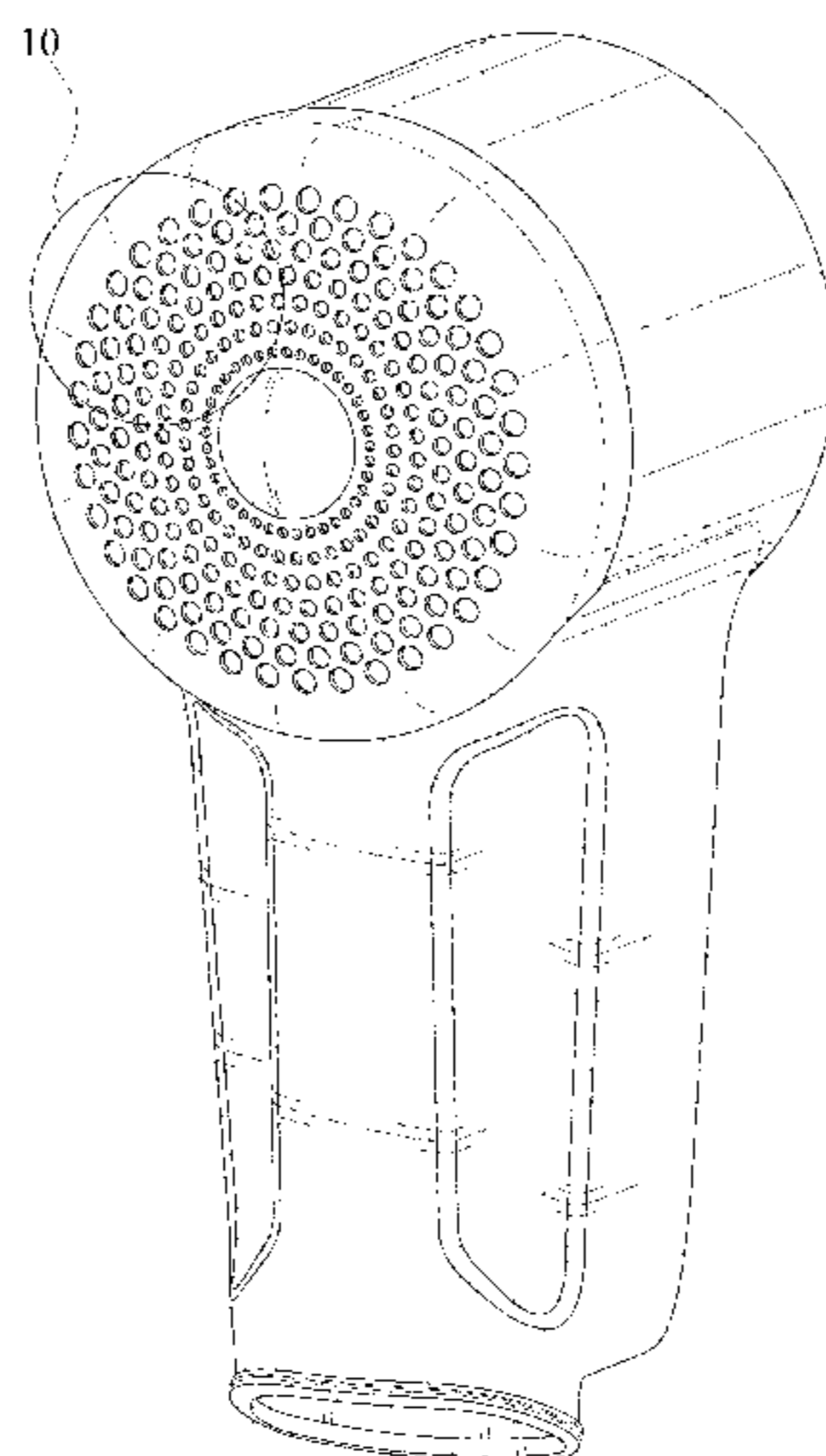
FIG. 1 is a front perspective view of a lint trap showing our new design;
FIG. 2 is a front view thereof;
FIG. 3 is a rear view thereof;
FIG. 4 is a left-side view thereof;
FIG. 5 is a right-side view thereof;
FIG. 6 is a top view thereof;
FIG. 7 is a bottom view thereof;
FIG. 8 is a rear perspective view thereof;
FIG. 9 is a cross-sectional view taken along line 9-9 of FIG. 6 thereof; and
FIG. 10 is a partially enlarged view of the encircled portion shown in FIG. 1 labeled 10; and,
FIG. 11 is a partial enlarged view of the encircled portion shown in FIG. 9 labeled 11.
The broken lines in the figures show portions of the lint trap which form no part of the claimed design.
The dot-dash broken lines encircling portions of the claimed design that are illustrated in enlargements form no part of the claimed design.

(56) **References Cited**

U.S. PATENT DOCUMENTS

2,403,416 A * 7/1946 Vandegriff D06F 58/22
34/82
2,509,300 A * 5/1950 Hendrickson D06F 58/22
34/82
3,378,934 A * 4/1968 Erickson D06F 58/22
34/82
D236,319 S * 8/1975 Jakubowski D32/21
D281,271 S * 11/1985 Meyer D23/365
D289,096 S * 3/1987 Larsen D32/21
D407,870 S * 4/1999 Pappas D32/25
D482,827 S * 11/2003 Storer D32/21

1 Claim, 11 Drawing Sheets



(56)

References Cited

U.S. PATENT DOCUMENTS

D549,892 S *	8/2007	Lin	D32/1	D654,642 S *	2/2012	Preda	D32/25
D566,350 S *	4/2008	Leasure	D32/21	D668,409 S *	10/2012	Witter	D32/31
D604,464 S	11/2009	Witter			2005/0160708 A1*	7/2005	Iantorno	B01D 46/10 55/482
D632,854 S *	2/2011	Witter	D32/21	2005/0252022 A1*	11/2005	Tyau	F26B 25/007 34/82
D634,904 S *	3/2011	Preda	D32/25	2014/0165415 A1*	6/2014	Tarifi	D06F 58/20 34/82

* cited by examiner

FIG. 1

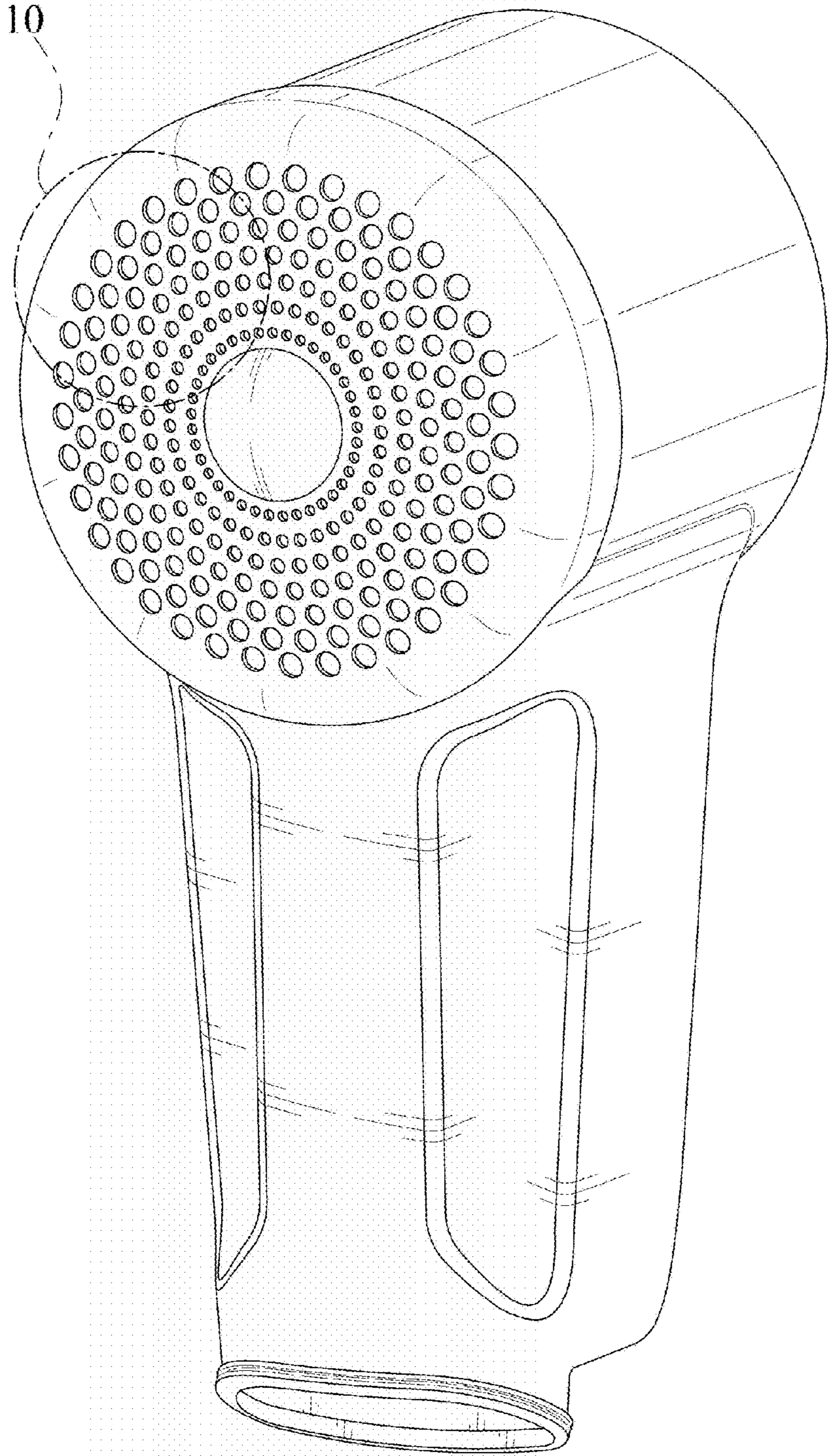


FIG. 2

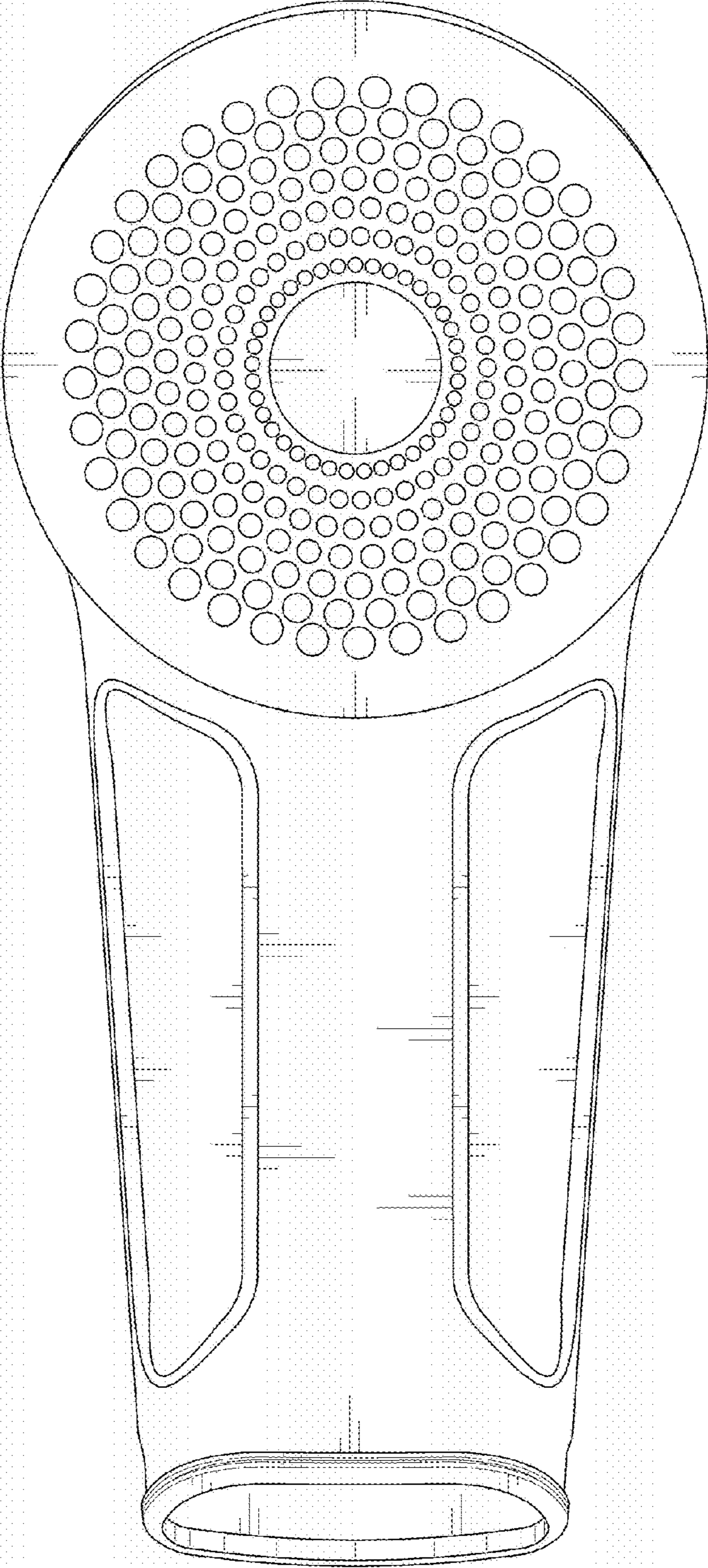


FIG. 3

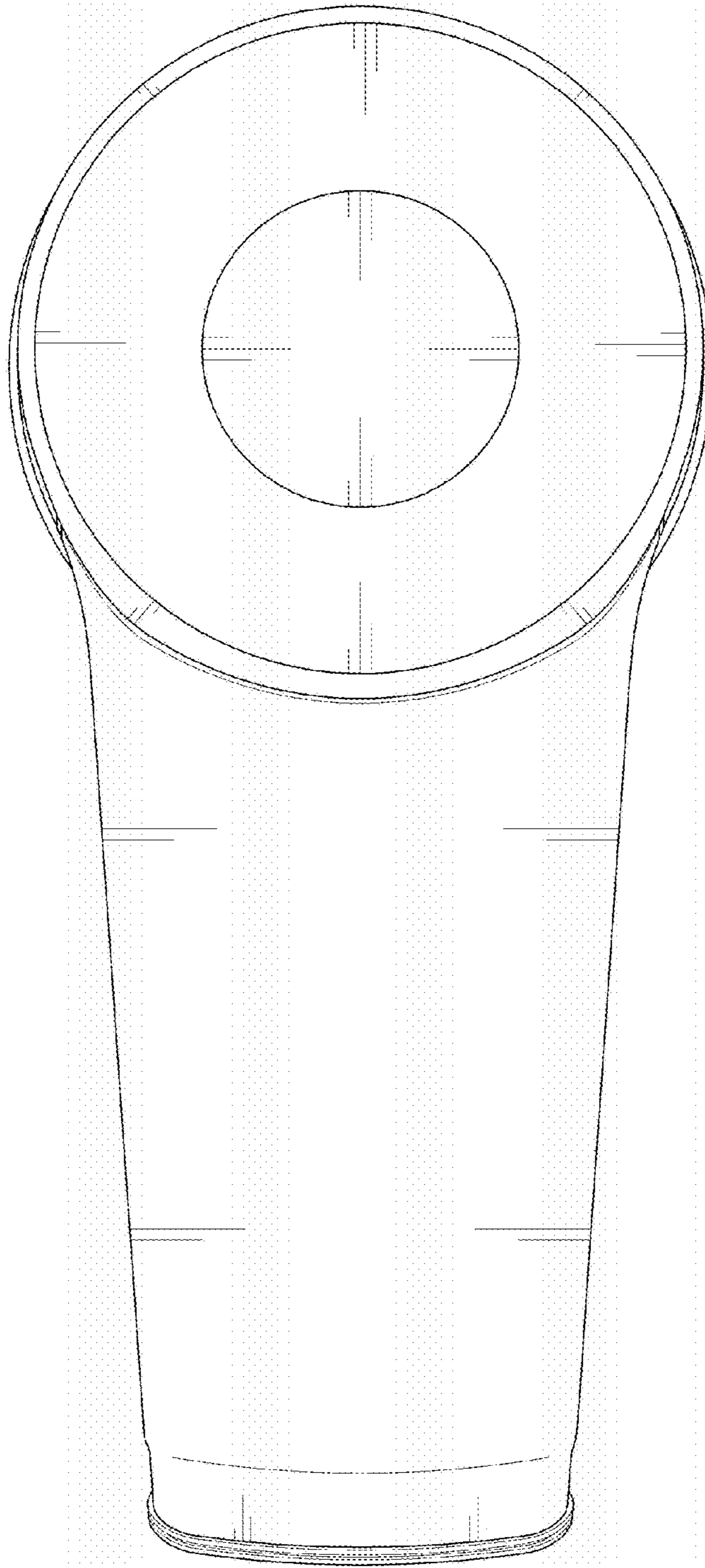


FIG. 4

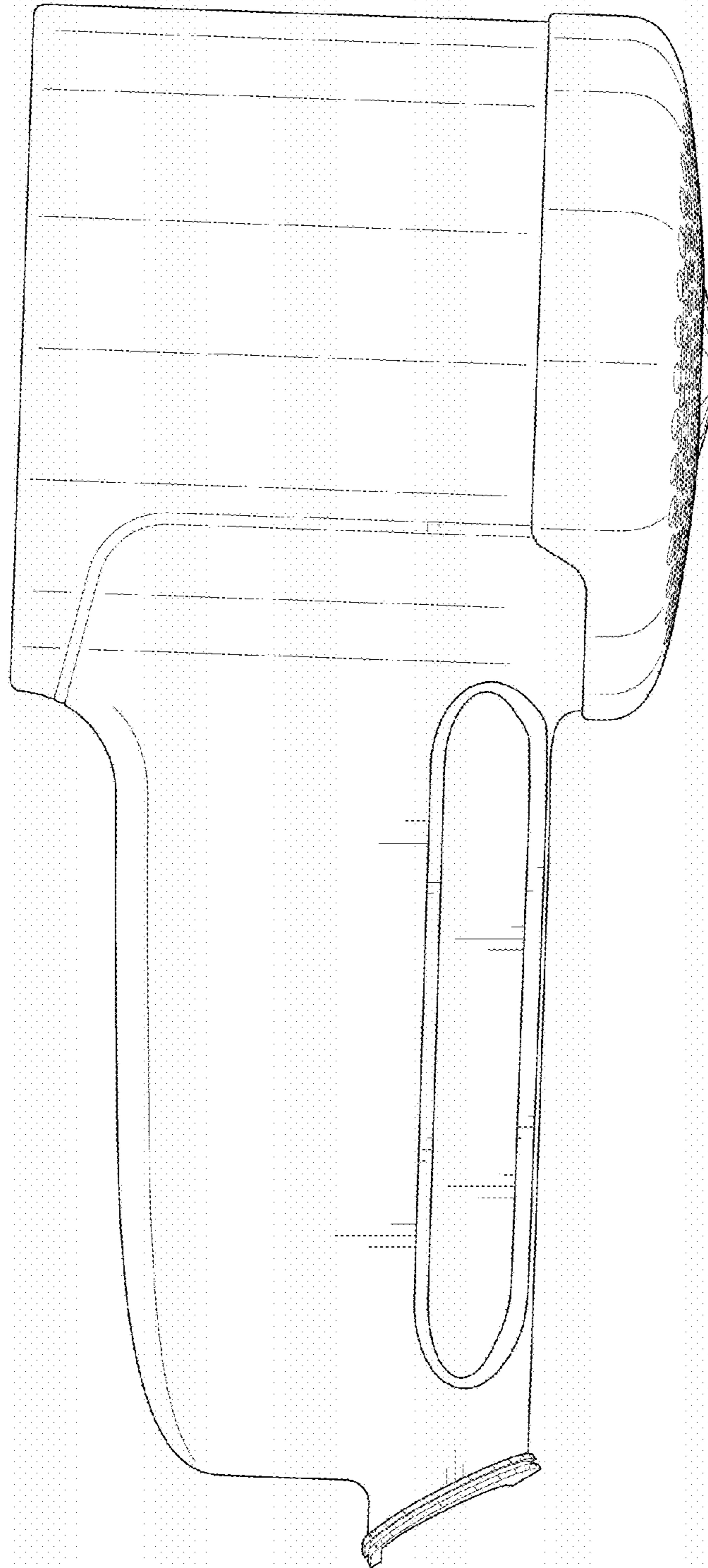


FIG. 5

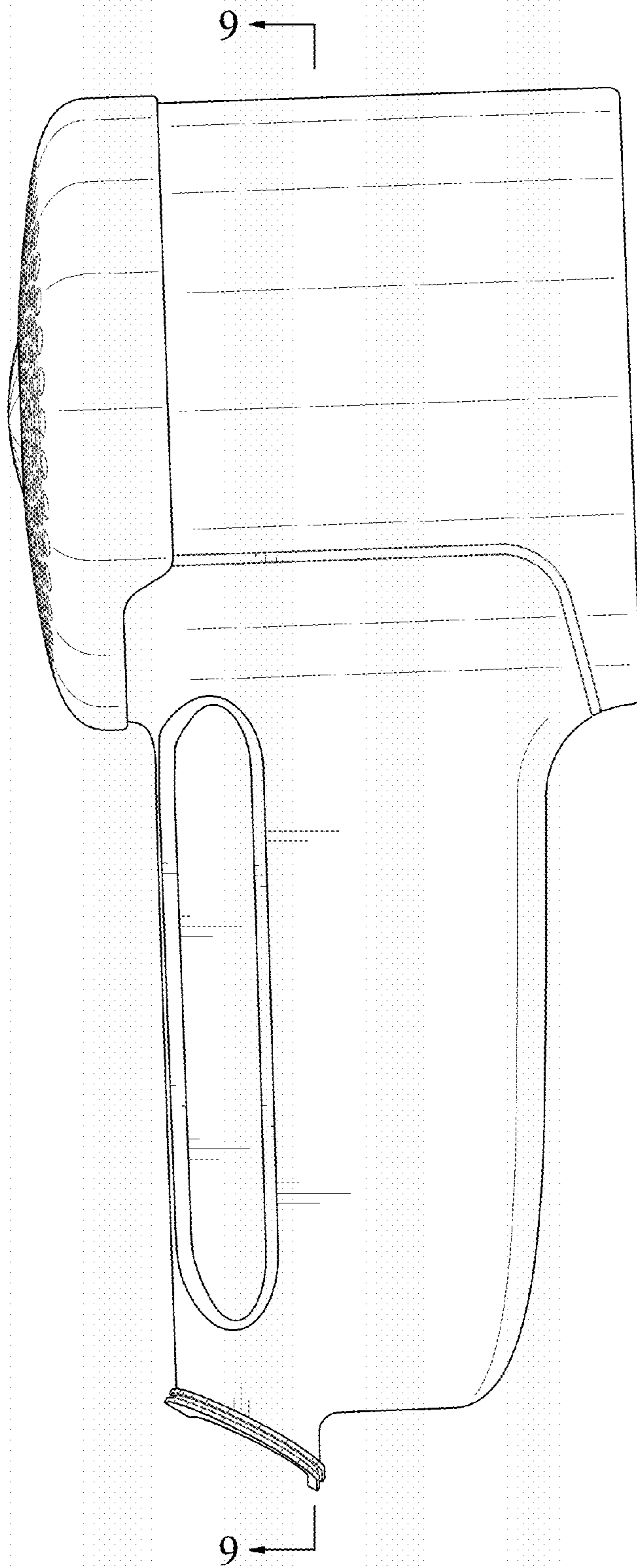


FIG. 6

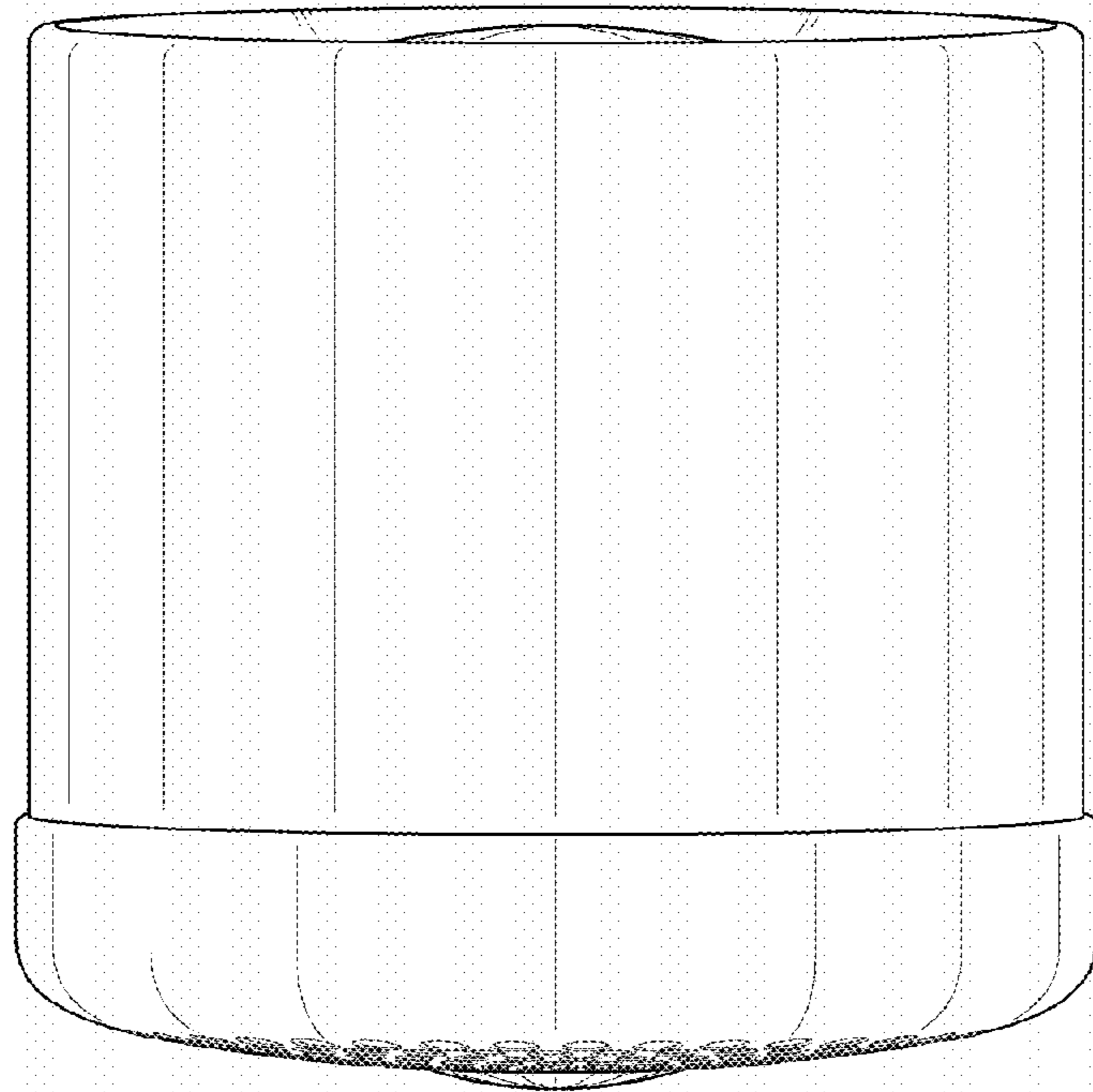


FIG. 7

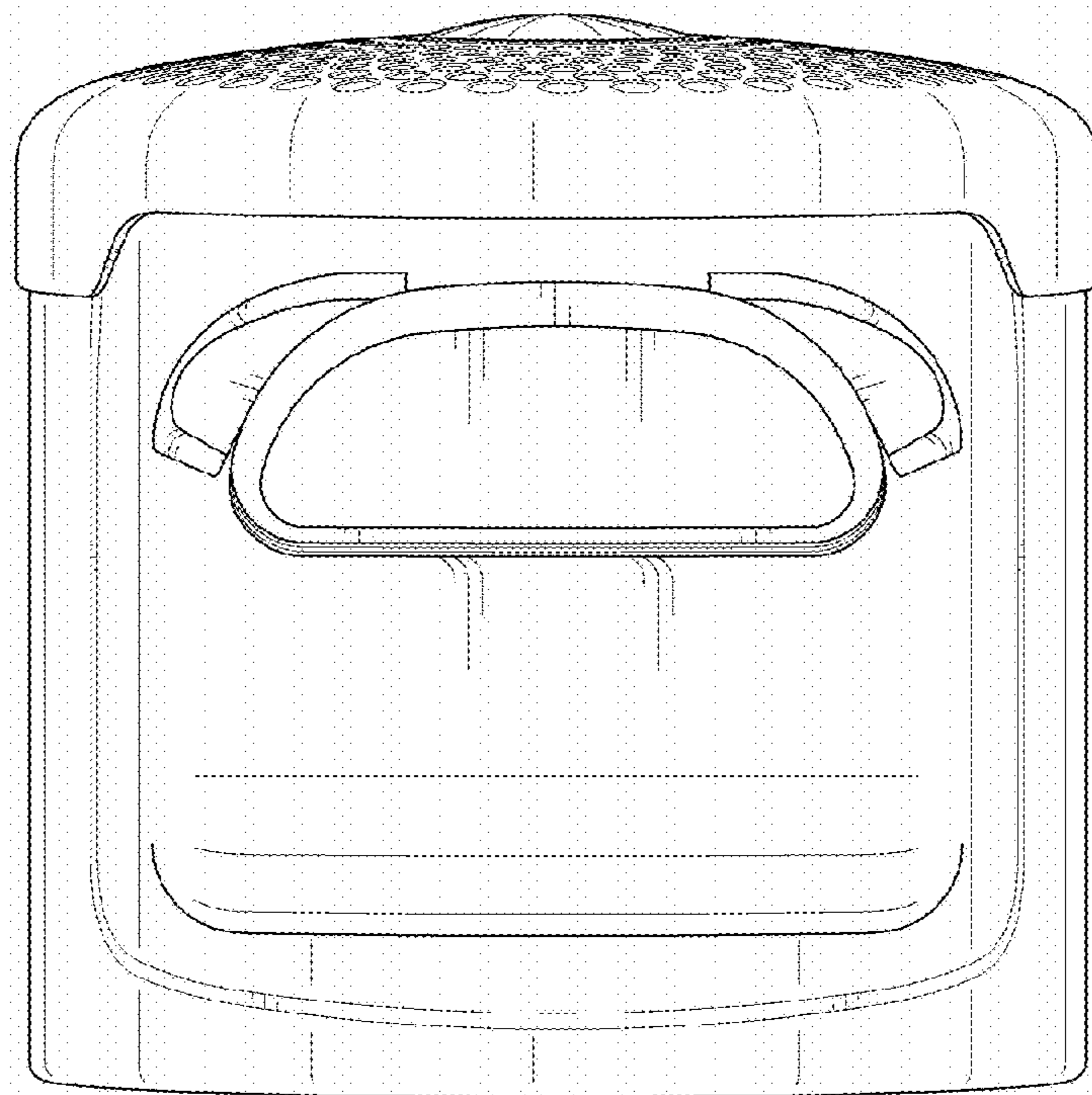


FIG. 8

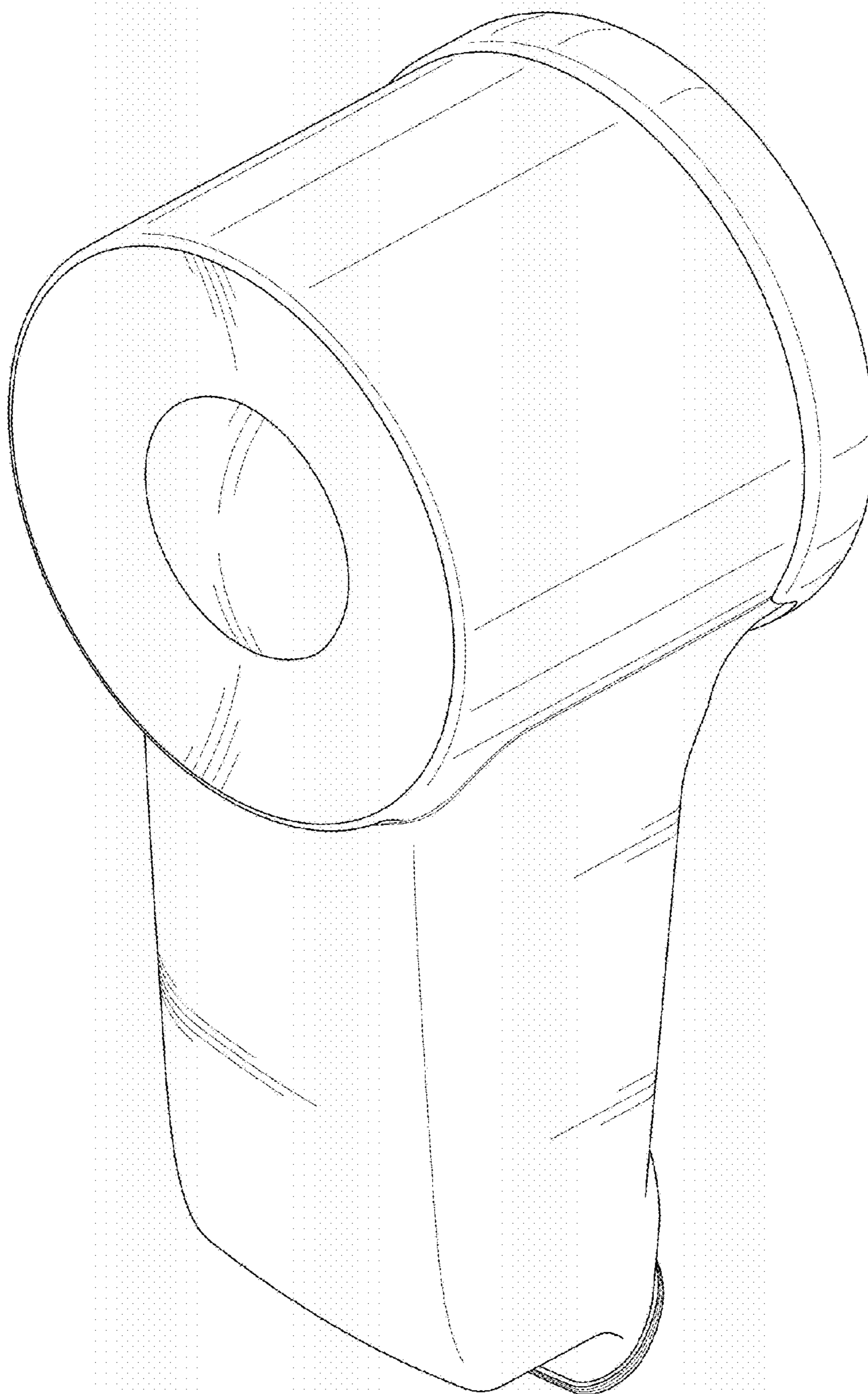


FIG. 9

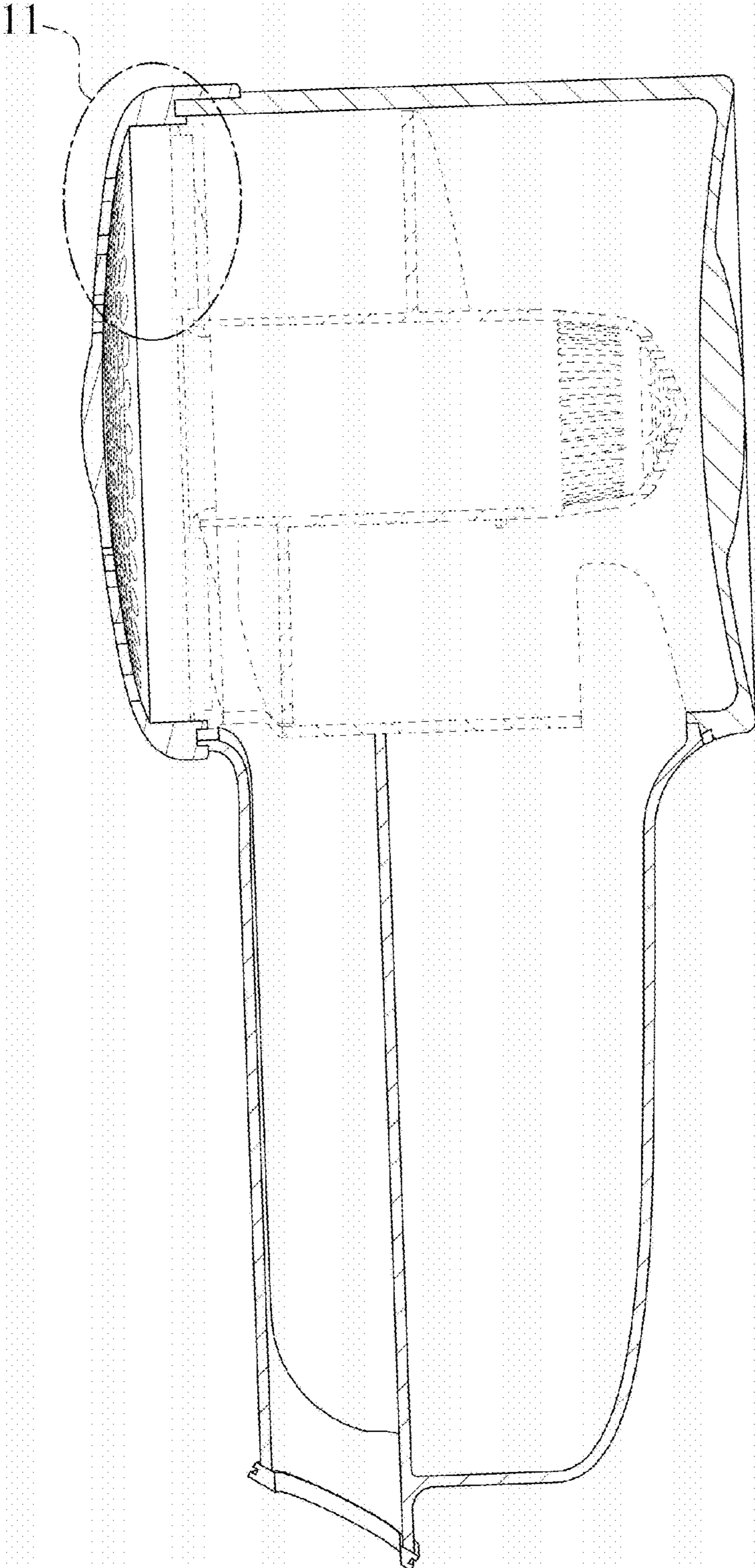


FIG. 10

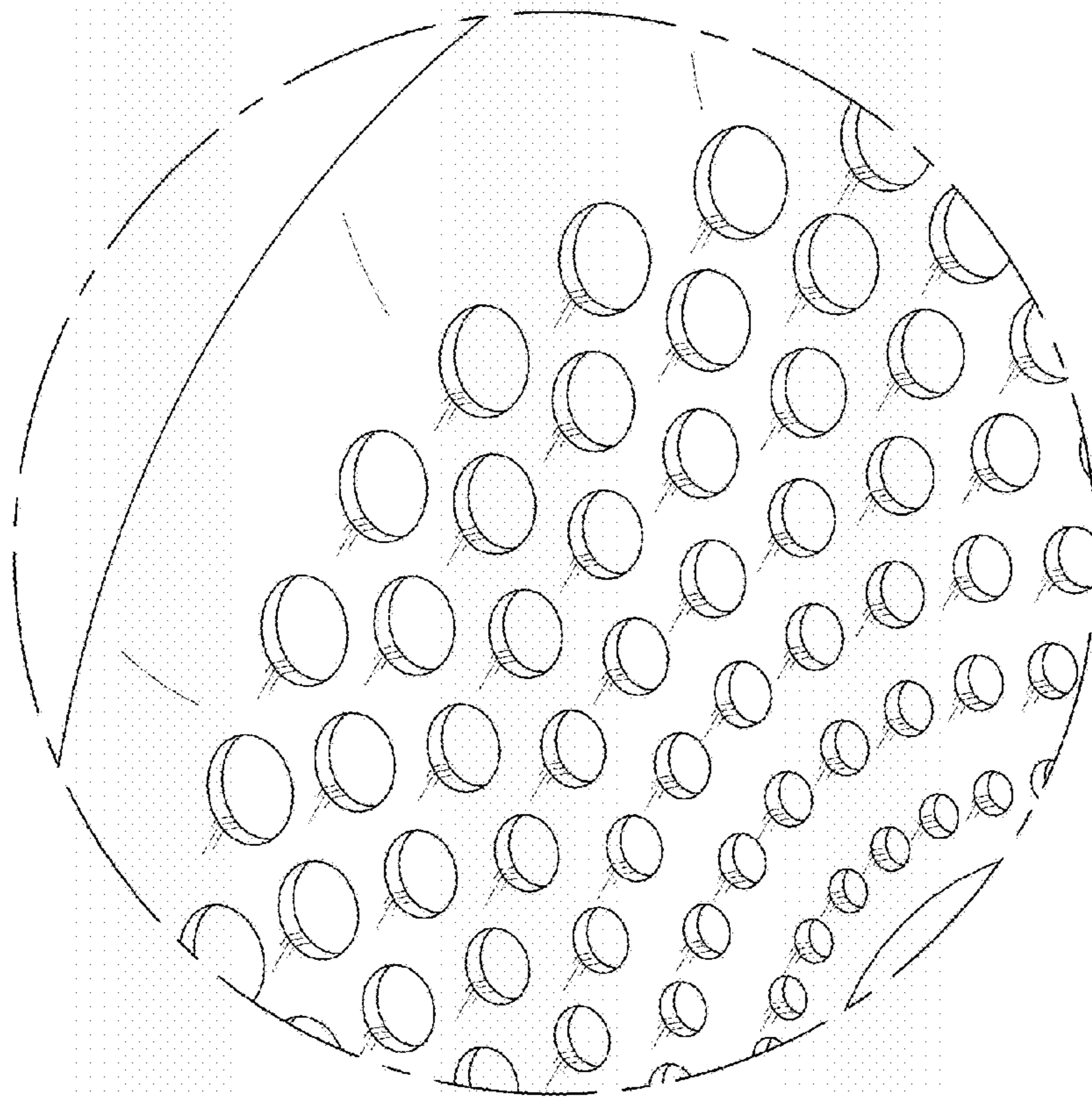


FIG. 11

