



US00D763525S

(12) **United States Design Patent**  
**Barrett et al.**

(10) **Patent No.:** **US D763,525 S**  
(45) **Date of Patent:** **\*\* Aug. 9, 2016**

(54) **FLOOR CLEANER**

(71) Applicant: **Techtronic Floor Care Technology Limited**, Tortola (VG)

(72) Inventors: **Edward Thomas George Barrett**, Wallingford (GB); **Jennifer Kathryn Marsden**, Birmingham (GB)

(73) Assignee: **Techtronic Floor Care Technology Limited**, Tortola (VG)

(\*\*) Term: **14 Years**

(21) Appl. No.: **29/459,345**

(22) Filed: **Jun. 28, 2013**

(30) **Foreign Application Priority Data**

Jan. 7, 2013 (CN) ..... 2013 3 0003671

(51) **LOC (10) Cl.** ..... **15-05**

(52) **U.S. Cl.**  
USPC ..... **D32/15**

(58) **Field of Classification Search**  
USPC ..... D32/1, 2, 6, 12, 15-16; 134/57 R;  
68/5 C, 13 R, 27-28; 15/213-214, 320,  
15/323, 345, 383; D15/199; D24/217;  
239/88, 146.332, 398; 417/34, 307,  
417/364

CPC ..... A47L 7/0036  
See application file for complete search history.

(56) **References Cited**

**U.S. PATENT DOCUMENTS**

2,824,335 A \* 2/1958 Moffat ..... 15/345  
D345,034 S \* 3/1994 Fitzwater ..... D32/22  
D346,679 S \* 5/1994 Bradd et al. .... D32/22  
D368,993 S \* 4/1996 Stutzer et al. .... D32/21  
D381,779 S \* 7/1997 Pritchett et al. .... D32/22

D404,859 S \* 1/1999 Dziersk et al. .... D32/22  
D405,567 S \* 2/1999 Kent et al.  
D406,928 S \* 3/1999 Rowley et al.  
D486,614 S \* 2/2004 Beauchamp et al.  
D496,503 S \* 9/2004 Chen ..... D32/16  
D536,848 S \* 2/2007 Shin  
D565,810 S \* 4/2008 Alexander ..... D32/15  
D568,557 S \* 5/2008 Alexander ..... D32/15  
7,373,690 B2 5/2008 Sepke et al.  
D576,703 S \* 9/2008 Nathan et al. .... D23/225

(Continued)

**FOREIGN PATENT DOCUMENTS**

EM WO D041930-001 \* 1/1998

**OTHER PUBLICATIONS**

Nobles Typhoon Wet Dry Vacuum > Nobles | Caliber Equipment, google pub date Jan. 12, 2011, online, <http://www.caliberequipment.com/nobles-typhoon.html>, [site visited Mar. 2, 2015 9:38:14 PM].\*

*Primary Examiner* — John Windmuller

*Assistant Examiner* — John R Yeh

(74) *Attorney, Agent, or Firm* — Michael Best & Friedrich LLP

(57) **CLAIM**

We claim the ornamental design for a floor cleaner, as shown and described.

**DESCRIPTION**

FIG. 1 is a perspective view of a floor cleaner embodying the invention;

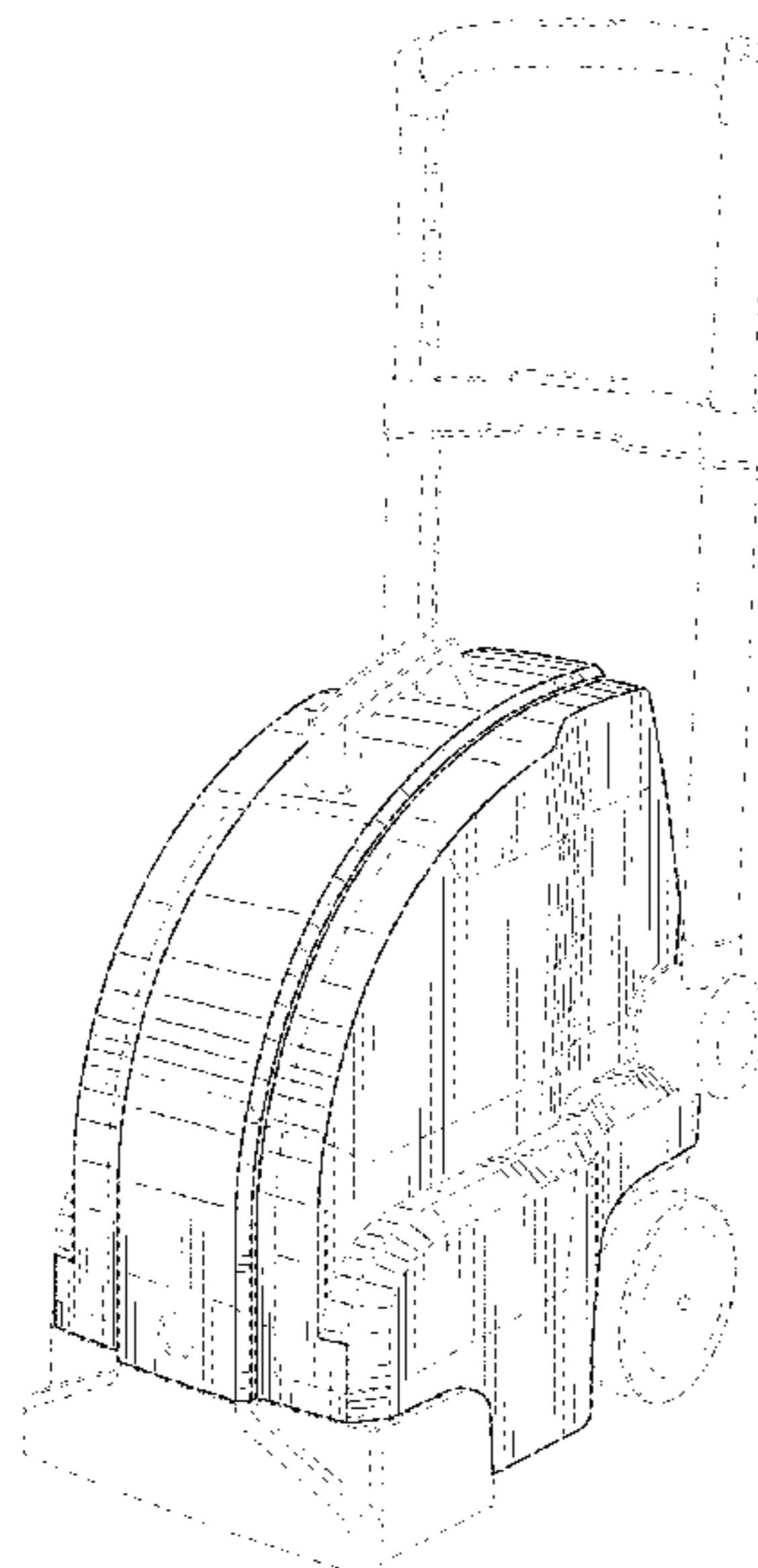
FIG. 2 is a front view of the floor cleaner of FIG. 1;

FIG. 3 is a right side view of the floor cleaner of FIG. 1; and,

FIG. 4 is a left side view of the floor cleaner of FIG. 1.

The elements shown in broken lines are included for the purpose of illustrating environment and form no part of the claimed design.

**1 Claim, 4 Drawing Sheets**



(56)

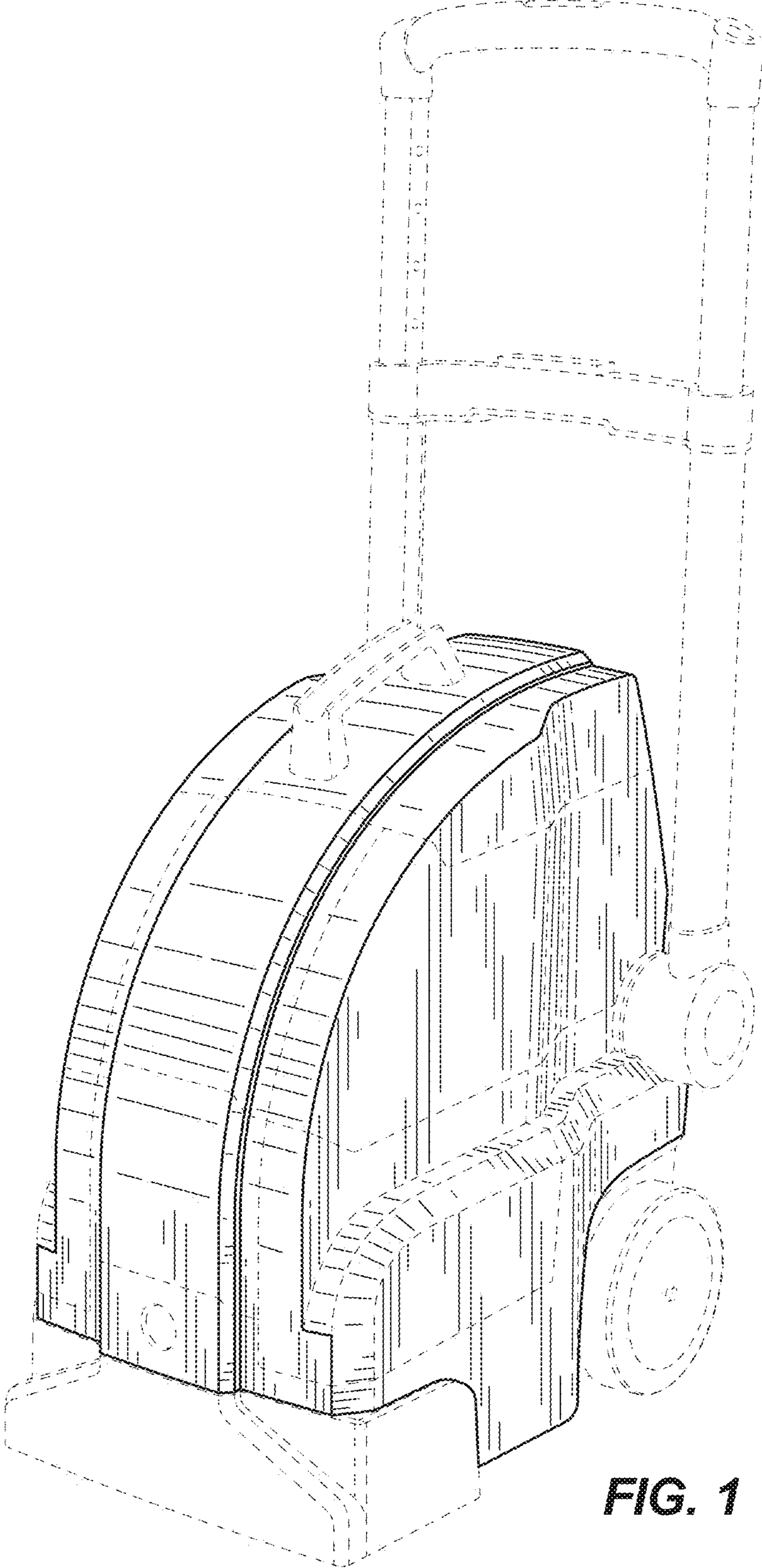
**References Cited**

U.S. PATENT DOCUMENTS

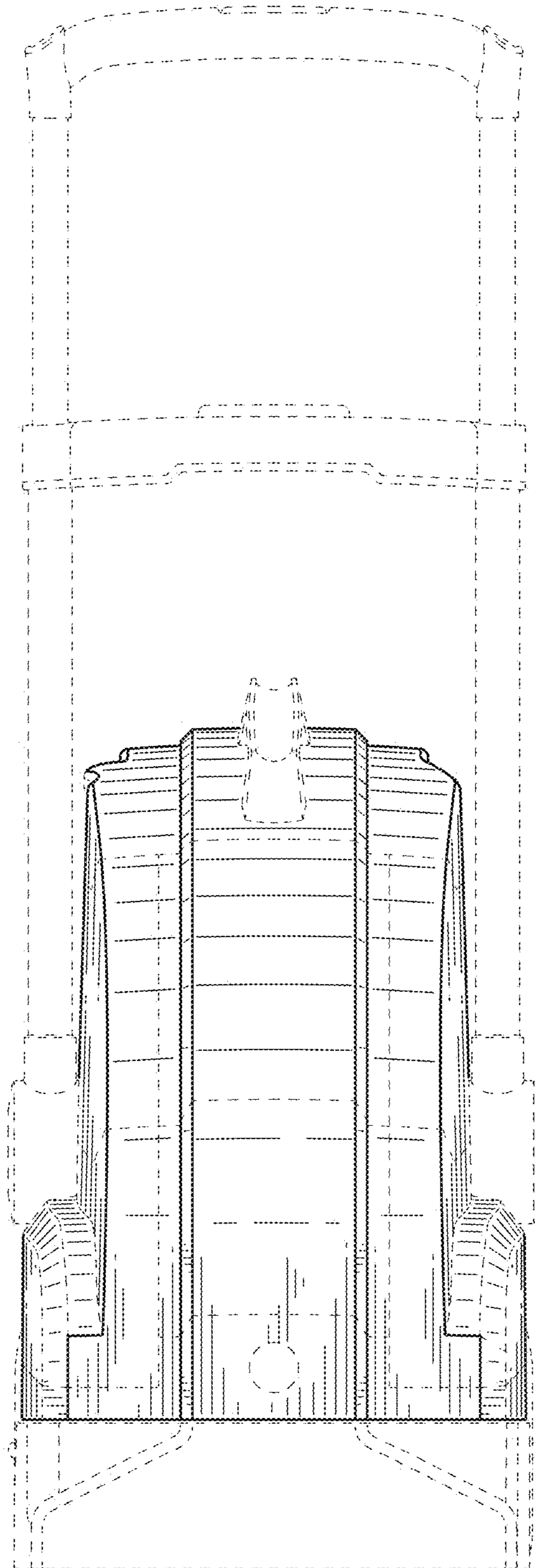
D633,667 S 3/2011 Santiago  
D709,992 S \* 7/2014 O'Leary et al. .... D23/225  
2002/0174507 A1 11/2002 Kasper et al.  
2006/0185113 A1\* 8/2006 Kloeppel et al. .... 15/320

2007/0256270 A1 11/2007 Gordon et al.  
2012/0222234 A1 9/2012 DeJonge  
2012/0222235 A1 9/2012 Lenkiewicz et al.  
2012/0304416 A1\* 12/2012 Nguyen et al. .... 15/383  
2012/0317746 A1\* 12/2012 Hill et al. .... 15/320  
2014/0230182 A1\* 8/2014 Ritscher et al. .... 15/383  
2014/0259514 A1\* 9/2014 Vail et al. .... 15/322

\* cited by examiner

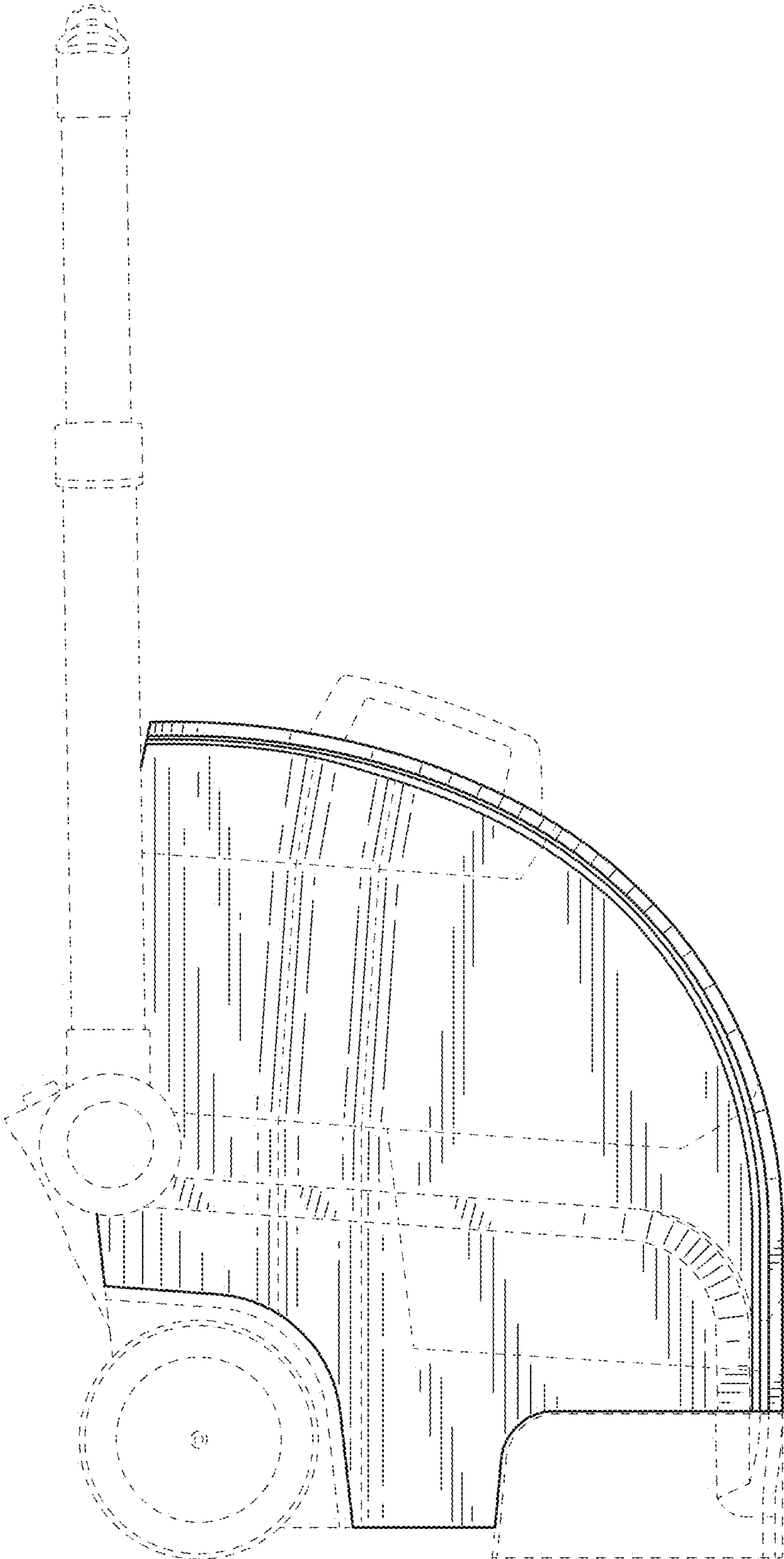


**FIG. 1**

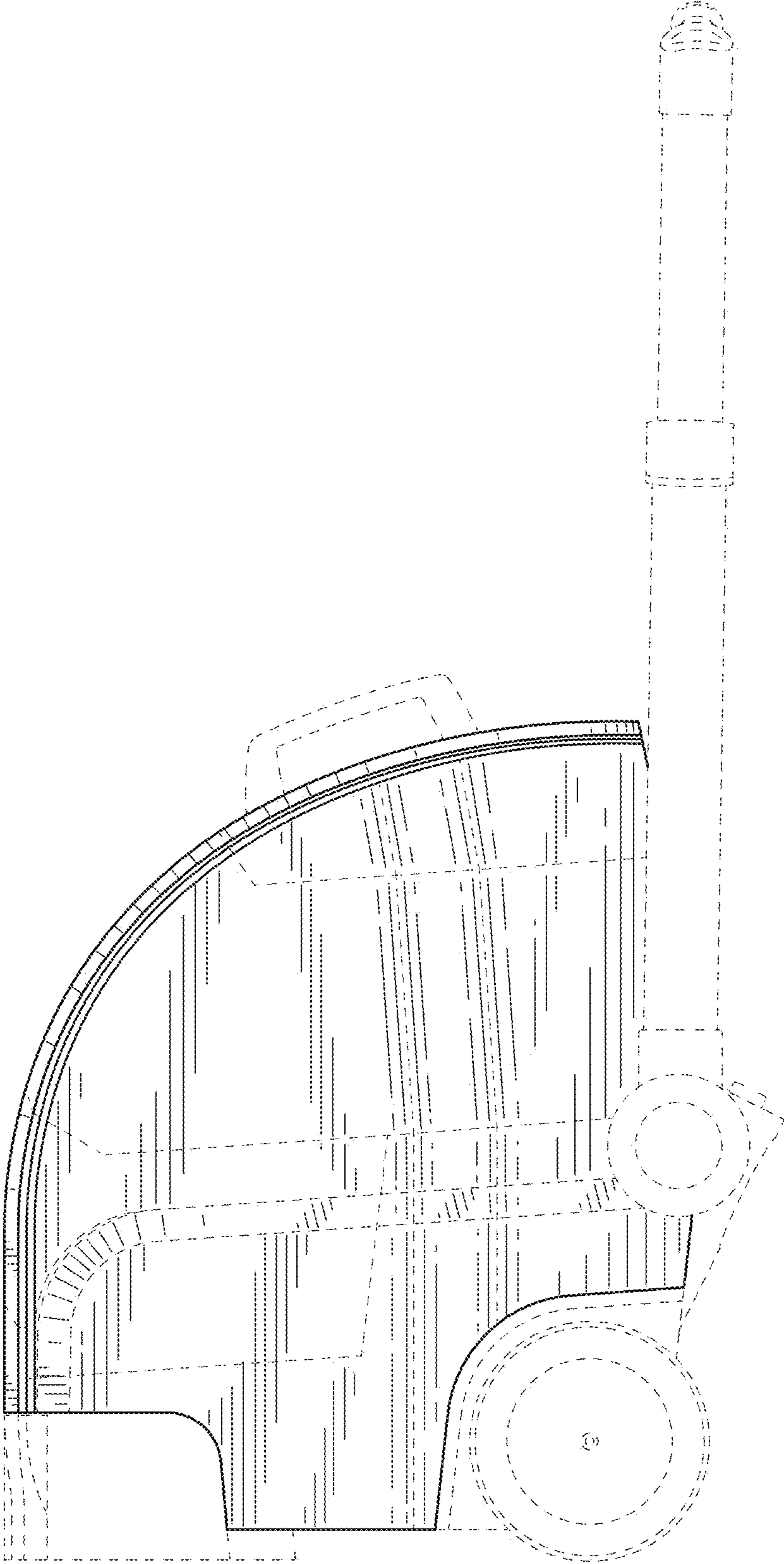


**FIG. 2**





**FIG. 3**



**FIG. 4**