



US00D763520S

(12) **United States Design Patent**
Runyan

(10) **Patent No.:** **US D763,520 S**
(45) **Date of Patent:** **** Aug. 9, 2016**

(54) **WASTE COLLECTION DEVICE**
(71) Applicant: **Fred Runyan**, Novato, CA (US)
(72) Inventor: **Fred Runyan**, Novato, CA (US)
(**) Term: **15 Years**
(21) Appl. No.: **29/533,633**
(22) Filed: **Jul. 20, 2015**
(51) **LOC (10) Cl.** **30-99**
(52) **U.S. Cl.**
USPC **D30/162**
(58) **Field of Classification Search**
USPC D30/161, 162, 151, 144, 140, 137, 106,
D30/199; 119/867, 868, 161, 163, 164, 170,
119/717, 712; 294/1.3-1.5, 214; 43/7-12;
15/257.1, 257.7; 206/496; 383/33, 34,
383/34.1, 6, 12, 13, 68; 30/99; D32/74, 49;
D8/14, 106, 107, 499
CPC A01K 23/00; A01K 23/005; E01H 1/1206;
E01H 1/1213; E01H 1/12; E01H 2001/122;
E01H 2001/1226; E01H 2001/1233; E01H
2001/128; E01H 2001/1286; E01H 2001/1293;
E01H 2001/1273; E01H 2001/126
See application file for complete search history.

(56) **References Cited**
U.S. PATENT DOCUMENTS
534,996 A * 3/1895 Cundy A63B 65/125
473/511
1,664,658 A * 4/1928 Blazer B01D 29/27
248/101
1,827,126 A * 10/1931 Washburn A47J 45/06
210/471
2,064,696 A * 12/1936 Smith A01K 97/20
224/406
2,066,439 A * 1/1937 Wine A01K 77/00
43/12
2,421,740 A * 6/1947 Birch, Jr. B65B 67/12
248/101

2,457,922 A * 1/1949 Robinson A01K 77/00
43/12
2,464,921 A * 3/1949 Chandler A47J 43/22
160/395
2,583,987 A * 1/1952 Baisor A01K 77/00
15/143.1
2,595,597 A * 5/1952 Morseth A01K 77/00
16/429
2,653,403 A * 9/1953 Oslund A01K 77/00
43/11
2,817,175 A * 12/1957 Morris A01K 77/00
43/11
3,001,324 A * 9/1961 Walker A63H 33/02
446/450
3,030,725 A * 4/1962 Sandul A01K 77/00
43/12
3,052,226 A * 9/1962 Woll A63B 59/00
273/119 R
3,077,693 A * 2/1963 Wallin A01K 77/00
362/109
3,188,668 A * 6/1965 Buckelew E04H 4/1609
15/1.7
3,220,037 A * 11/1965 Ruhling E04H 4/1609
15/1.7

(Continued)

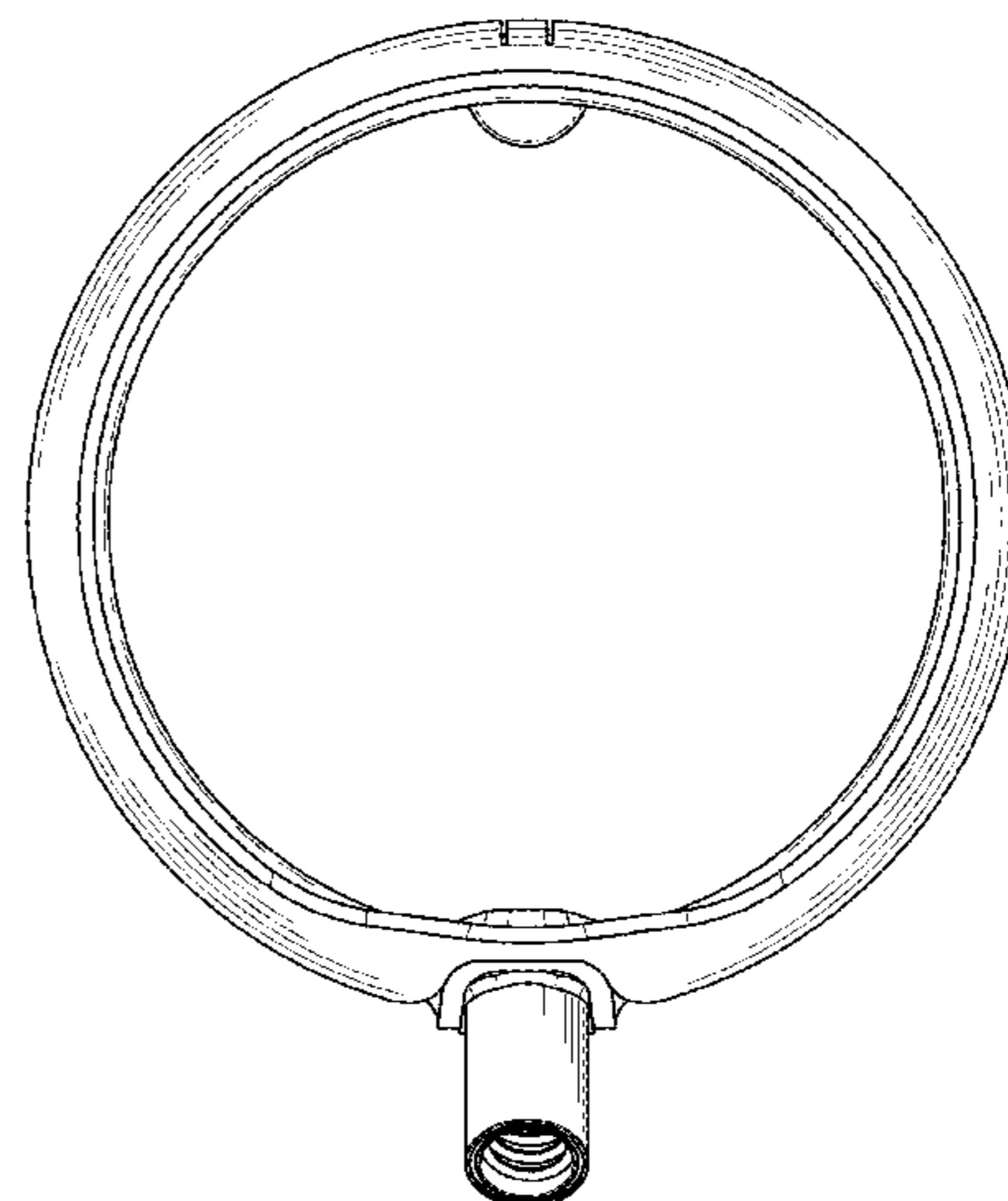
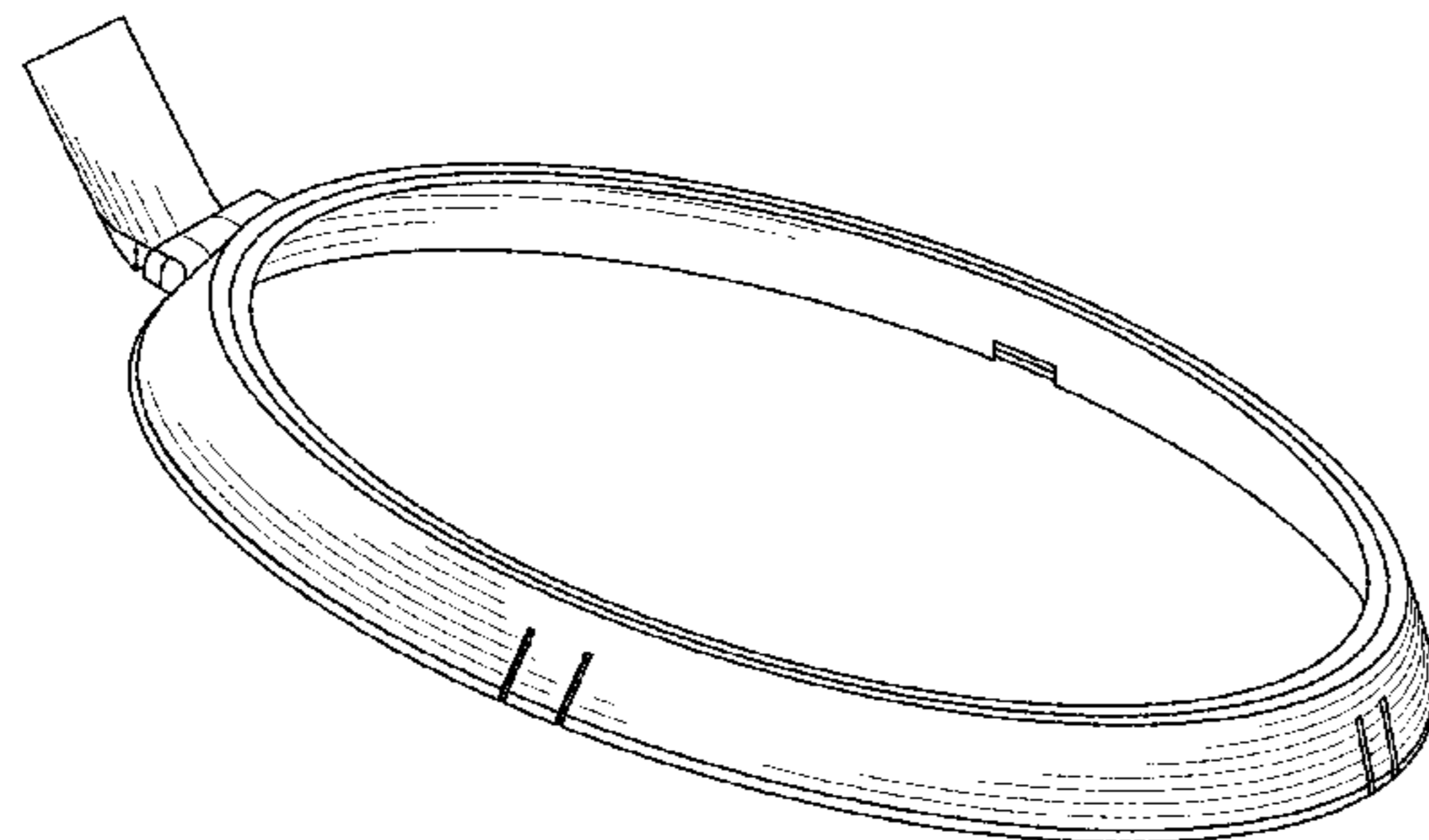
Primary Examiner — Susan Moon Lee
(74) *Attorney, Agent, or Firm* — Steven A. Nielsen;
www.NielsenPatents.com

(57) **CLAIM**
The ornamental design for a waste collection device, as shown and described herein.

DESCRIPTION

FIG. 1 is a top and side perspective view of a waste collection device showing my new design; FIG. 2 is a front view thereof; FIG. 3 is a back view thereof; FIG. 4 is a left side view thereof; FIG. 5 is a right side view thereof; FIG. 6 is a top view thereof; and, FIG. 7 is a bottom view thereof.

1 Claim, 3 Drawing Sheets



(56)	References Cited								
	U.S. PATENT DOCUMENTS								
3,227,335	A *	1/1966	Minnema	A47G 25/908 223/111	4,516,704	A *	5/1985	Hagman	A47G 25/905 223/111
3,368,686	A *	2/1968	Petrik	E04H 4/1609 15/1.7	D290,416	S *	6/1987	Breuer	294/1.3
3,467,855	A *	9/1969	Rance	G01V 3/15 324/236	4,759,519	A *	7/1988	Cheng	B65B 67/1238 248/125.3
3,492,564	A *	1/1970	Baker, Jr.	G01V 3/15 324/236	4,800,667	A *	1/1989	Johnson	A01K 77/00 43/11
3,727,812	A *	4/1973	Weiss	A47G 25/908 223/111	4,852,924	A *	8/1989	Ines	A01K 23/005 294/1.5
3,777,708	A *	12/1973	Vogt	A01K 23/005 294/1.5	4,894,617	A *	1/1990	Urbani	G01V 3/15 324/239
3,779,419	A *	12/1973	Heitz	B65F 1/06 220/495.08	4,913,677	A *	4/1990	Brasier	A63H 33/02 446/453
3,814,359	A *	6/1974	Powell	B65B 67/12 248/215	4,932,150	A *	6/1990	Sher	A01K 77/00 43/11
3,823,365	A *	7/1974	Anderson	G01V 3/107 324/236	5,082,219	A *	1/1992	Blair	B65F 1/1415 141/390
3,856,679	A *	12/1974	Jackson	E04H 4/1272 15/1.7	D324,441	S *	3/1992	Werner	D34/5
3,866,872	A *	2/1975	Burgess	B65B 67/1272 248/101	5,099,597	A *	3/1992	Whistle	A01K 77/00 43/11
3,872,831	A *	3/1975	Cassidy	A01K 23/005 248/101	5,131,704	A *	7/1992	Li	A01K 23/005 294/1.4
3,881,277	A *	5/1975	Delph	A63H 33/02 446/450	D334,888	S *	4/1993	Merritt	D30/124
3,883,052	A *	5/1975	Wilson	A47G 25/905 223/111	D336,704	S *	6/1993	Foden	D30/118
3,893,649	A *	7/1975	Cornell	B65F 1/06 248/101	5,224,703	A *	7/1993	Osher	A63B 59/20 124/20.1
3,916,962	A *	11/1975	Stolt	B65B 67/1233 141/108	D340,752	S *	10/1993	Flynn	D21/722
3,992,008	A *	11/1976	Watkin	A63B 59/20 124/5	5,370,434	A *	12/1994	Kellett	B65H 75/364 242/405.3
4,010,970	A *	3/1977	Campbell	A01K 23/005 294/1.5	D360,918	S *	8/1995	Carlson	D21/721
4,021,994	A *	5/1977	Mainprice	B65B 67/1238 248/101	5,442,875	A *	8/1995	Brundage	A01K 77/00 43/11
4,034,710	A *	7/1977	Carter	A01K 77/00 119/203	5,473,786	A *	12/1995	Resh	E04H 4/1609 15/1.7
D246,006	S *	10/1977	Burr	D21/457	D365,913	S *	1/1996	Ballard	D2/641
4,058,337	A *	11/1977	Isac	E01H 1/1206 294/1.4	D374,110	S *	9/1996	Hull	294/1.4
4,072,255	A *	2/1978	Bogorad	A47G 25/905 223/111	5,562,319	A *	10/1996	Kohler	E01H 1/1206 294/1.4
4,103,953	A *	8/1978	Lachance	A01K 23/005 294/1.4	5,588,622	A *	12/1996	Gordon, Sr.	B65B 67/1238 24/30.5 R
4,123,056	A *	10/1978	Nakamatsu	A63B 53/0487 473/234	5,634,678	A *	6/1997	Bailey	A01K 23/005 294/1.5
4,146,259	A *	3/1979	Schultz	E01H 1/1206 294/1.4	5,641,138	A *	6/1997	Cronk	B65B 67/1233 242/597.8
4,146,260	A *	3/1979	Carrington	A01K 23/005 294/1.5	5,683,129	A *	11/1997	Jensen	A01K 23/005 294/1.5
4,152,801	A *	5/1979	Lieber	E04H 4/1609 15/1.7	5,696,490	A *	12/1997	Maloney	G01V 3/12 250/341.4
4,156,400	A *	5/1979	Migdal	A01K 23/005 119/161	5,718,469	A *	2/1998	Ockerman	E01H 1/1206 248/101
4,193,623	A *	3/1980	Forsythe	A01K 23/005 135/16	D396,079	S *	7/1998	Coon	D21/722
4,198,720	A *	4/1980	Matsumoto	E04H 4/1609 15/1.7	5,778,826	A *	7/1998	Dillon	A01K 29/00 119/717
D256,735	S *	9/1980	Denk	D30/161	5,779,290	A *	7/1998	Wilke	A01K 23/005 294/1.5
4,225,437	A *	9/1980	Woodard	E04H 4/1609 15/1.7	5,825,298	A *	10/1998	Walter	G01C 15/04 324/329
4,236,741	A *	12/1980	Emme	A01K 23/005 294/1.5	5,840,188	A *	11/1998	Kirsgalvis	B01D 29/23 210/448
4,255,711	A *	3/1981	Thompson	G01V 3/107 324/329	5,858,221	A *	1/1999	Conrad	E04H 4/1609 15/1.7
4,262,948	A *	4/1981	Emme	A01K 23/005 294/1.5	5,971,452	A *	10/1999	Marymor	A01K 23/005 294/1.5
4,290,606	A *	9/1981	Maxwell	A63B 53/007 273/129 K	D417,320	S *	11/1999	Nunez	D30/162
D263,512	S *	3/1982	Kawada	294/1.4	6,032,399	A *	3/2000	DePoe	A01K 77/00 43/12
4,323,847	A *	4/1982	Karbowski	G01V 3/15 324/327	6,067,942	A *	5/2000	Fernandez	A01K 15/003 119/802
					6,116,194	A *	9/2000	Komarnitskiy	A01K 23/005 119/867
					6,119,629	A *	9/2000	Sicchio	A01K 1/0121 119/162
					6,149,214	A *	11/2000	Kipka	A01K 23/005 294/1.5
					6,158,395	A	12/2000	Bauklon	
					6,260,302	B1 *	7/2001	Blaschke	A01K 77/00 43/12
					6,333,631	B1 *	12/2001	Das	F41H 11/12 250/392

(56)	References Cited	
	U.S. PATENT DOCUMENTS	
6,386,606	B1	5/2002 Marshall
D460,625	S *	7/2002 Wright D4/116
6,416,023	B1 *	7/2002 Satsky B65B 67/12 248/99
6,488,242	B1 *	12/2002 Barriere B65B 67/1233 248/100
6,517,034	B1 *	2/2003 Kinchen B65B 67/1238 248/100
6,541,965	B1 *	4/2003 Binder G01V 3/104 324/232
6,554,335	B1 *	4/2003 Kelly A01K 23/005 294/15
6,688,562	B1 *	2/2004 Harvey B65B 67/1233 248/99
D488,602	S *	4/2004 Pecci D32/35
D492,825	S *	7/2004 Pecci D32/35
6,908,216	B2 *	6/2005 Love A01K 75/02 362/191
D507,027	S *	7/2005 Hale, Jr. D21/722
6,942,264	B1	9/2005 Mendez
D515,261	S *	2/2006 Henson D22/135
7,011,278	B1 *	3/2006 Baldwin, III B65B 67/1238 15/257.1
7,090,268	B2	8/2006 Borman
7,128,352	B1 *	10/2006 Phippen A01K 23/005 119/161
D533,792	S *	12/2006 Johnson D10/47
D537,893	S *	3/2007 Freeland D21/722
7,194,774	B2 *	3/2007 Bergstrom B05B 17/085 239/18
7,244,201	B2 *	7/2007 Hale A63B 67/002 273/129 R
7,258,076	B1 *	8/2007 Gantt A01K 1/011 119/161
7,267,381	B2	9/2007 Cafferty et al.
7,269,921	B2 *	9/2007 Lee A01K 77/00 43/12
7,287,790	B1 *	10/2007 Kitiashvili E01H 1/1206 294/1.4
D564,518	S *	3/2008 Vandaele D14/230
7,395,629	B1 *	7/2008 Thomas A01K 77/00 43/11
D587,412	S *	2/2009 Oka D30/162
D592,981	S *	5/2009 Chuan D10/47
D613,915	S *	4/2010 Plotkin D30/162
D617,061	S *	6/2010 Su D30/162
7,753,053	B2 *	7/2010 Dillon A01K 15/003 119/717
7,854,455	B2	12/2010 Ruscil et al.
7,891,132	B2 *	2/2011 Hetzner A01K 77/00 210/238
D638,183	S *	5/2011 Rossano D32/35
7,934,337	B1 *	5/2011 Lambert A01K 77/00 43/11
7,975,655	B2 *	7/2011 Piaget A01K 15/025 119/51.01
D645,216	S *	9/2011 Silas D30/162
8,123,266	B1 *	2/2012 Jone A01K 23/005 294/1.4
D662,268	S *	6/2012 Pearcey D30/162
8,469,418	B2 *	6/2013 Dougherty A01K 23/005 119/161
8,511,728	B2	8/2013 Beaton
8,534,726	B2 *	9/2013 Bulatao A63B 47/002 294/19.2
8,544,907	B2	10/2013 Powell
8,631,810	B2 *	1/2014 Blood A45B 9/04 135/66
8,684,429	B1 *	4/2014 Holub E01H 1/1206 294/1.4
8,740,274	B1 *	6/2014 Dugas B65B 67/1233 294/214
8,882,164	B1 *	11/2014 Lo A01K 23/005 294/1.5
9,034,181	B1 *	5/2015 Robinson E04H 4/16 210/167.1
9,041,401	B2 *	5/2015 Andel G01V 3/15 324/326
9,045,914	B2 *	6/2015 Van Der Meijden B25G 1/04
D745,145	S *	12/2015 Bivens D24/128
D756,247	S *	5/2016 Pollock D10/47
2002/0053807	A1 *	5/2002 Clements A01K 23/005 294/1.5
2002/0096895	A1 *	7/2002 McCarthy A01K 23/005 294/1.5
2002/0140240	A1 *	10/2002 Charette A01K 23/005 294/1.5
2003/0155783	A1 *	8/2003 Hsu B65B 51/043 294/214
2004/0201232	A1 *	10/2004 Borman A01K 23/005 294/1.5
2005/0062476	A1 *	3/2005 Stamatescu G01V 3/15 324/327
2006/0001281	A1 *	1/2006 Hubert A01K 23/005 294/1.5
2006/0157995	A1 *	7/2006 Cafferty A01K 23/005 294/1.5
2006/0232083	A1 *	10/2006 Kamenkovich A01K 23/005 294/1.5
2006/0237977	A1 *	10/2006 Krieger E01H 1/1206 294/1.4
2007/0029828	A1 *	2/2007 Pilas A01K 23/005 294/1.5
2007/0176444	A1 *	8/2007 Pilas A01K 23/005 294/1.5
2007/0222240	A1 *	9/2007 Sherman A01K 23/005 294/1.5
2008/0017121	A1 *	1/2008 Mauro A01K 27/006 119/161
2008/0116704	A1 *	5/2008 Botello A01K 23/005 294/1.5
2008/0179522	A1 *	7/2008 Vallon G01T 1/167 250/336.1
2008/0297158	A1 *	12/2008 Heger G01V 3/107 324/326
2009/0096227	A1	4/2009 Pender
2009/0102211	A1 *	4/2009 Antar A01K 23/005 294/1.3
2009/0102212	A1 *	4/2009 Casper A01K 23/005 294/1.4
2010/0072765	A1 *	3/2010 Granada A01K 23/005 294/1.4
2011/0057463	A1	3/2011 Chen
2011/0290956	A1 *	12/2011 Saue B65B 67/1233 248/99
2012/0049548	A1	3/2012 Williams
2012/0223537	A1 *	9/2012 Yip A01K 23/005 294/1.5
2013/0009412	A1 *	1/2013 Powell A01K 23/005 294/1.5
2013/0249224	A1 *	9/2013 Ng E01H 1/1206 294/1.4
2014/0033983	A1 *	2/2014 Beatrez A01K 1/0107 119/161
2015/0216143	A1 *	8/2015 Christlieb A01K 23/005 294/1.5
2015/0234079	A1 *	8/2015 Loubet G01V 3/17 324/329
2015/0253448	A1 *	9/2015 Cheng G01V 3/08 324/329
2015/0313188	A1 *	11/2015 Seller A01K 23/005 294/1.3
2016/0029600	A1 *	2/2016 Wang A01K 23/005 294/1.5
2016/0050885	A1 *	2/2016 Brasuel A01K 23/005 294/1.5
2016/0091629	A1 *	3/2016 Deng G01V 3/38 324/329

* cited by examiner

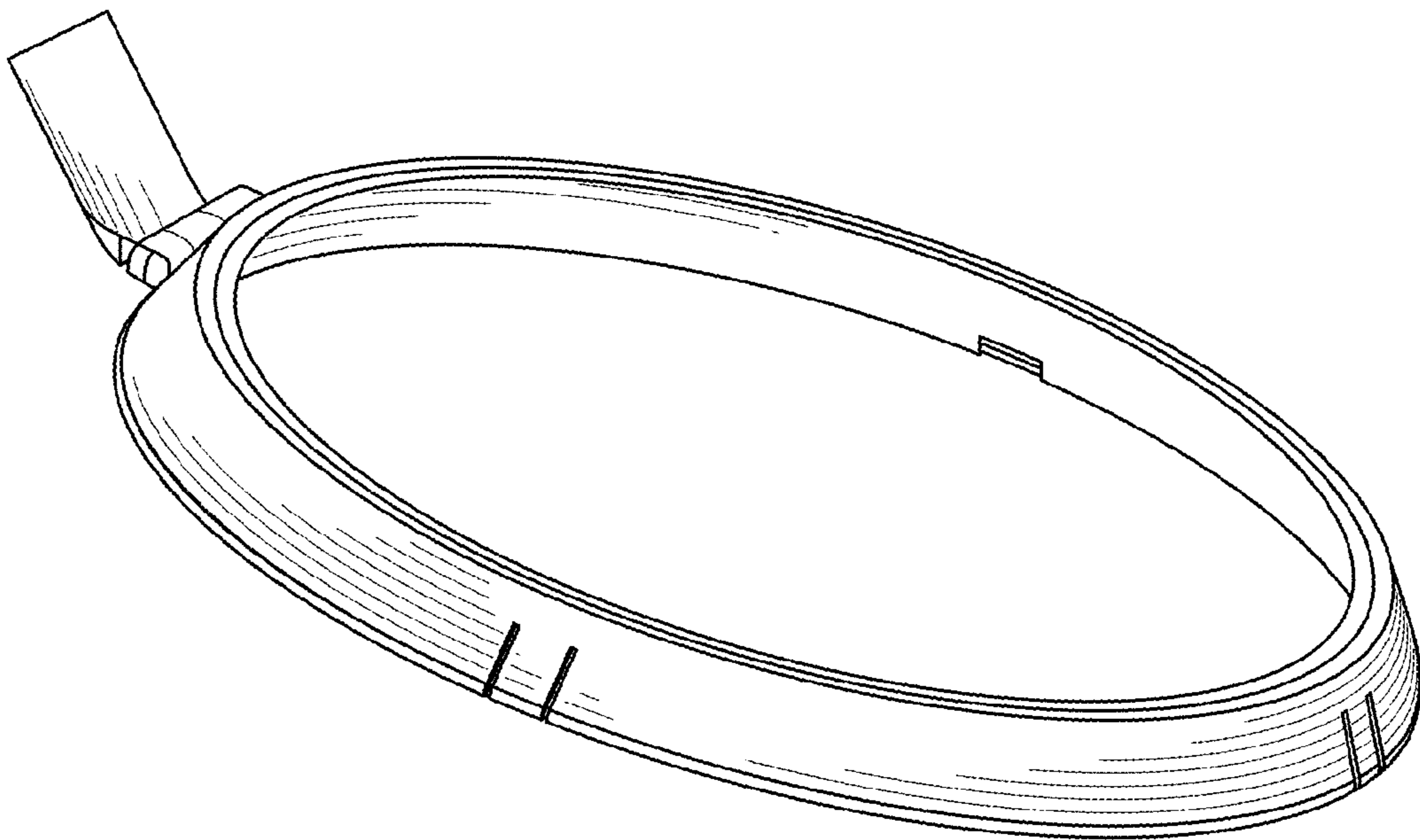


FIG. 1

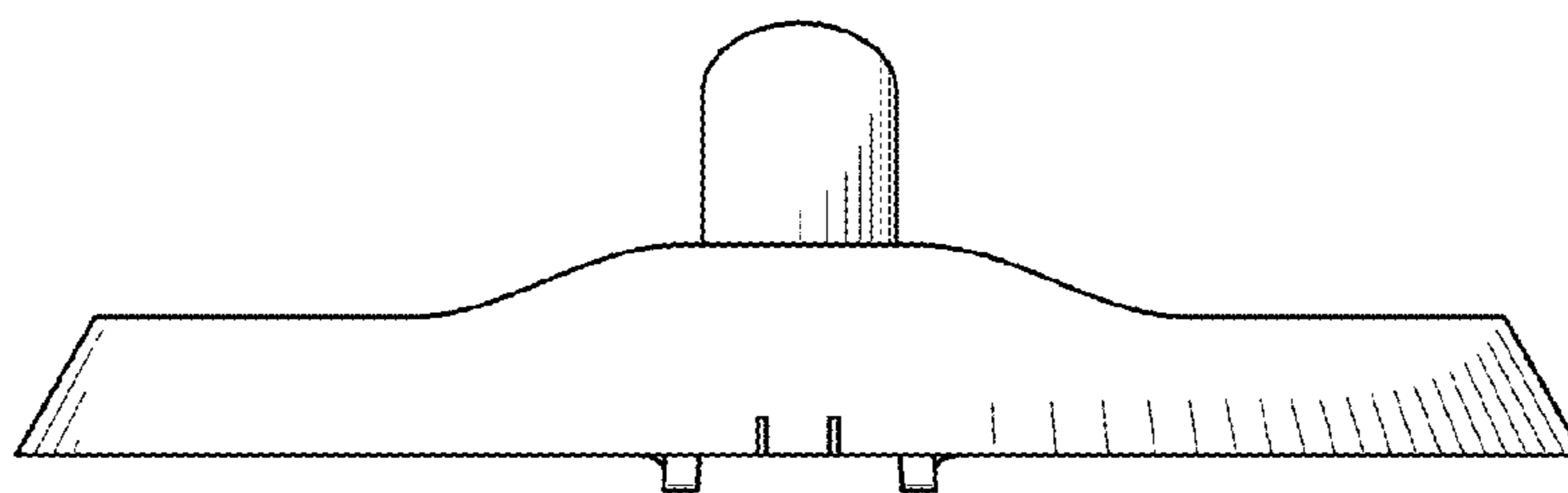


FIG. 2

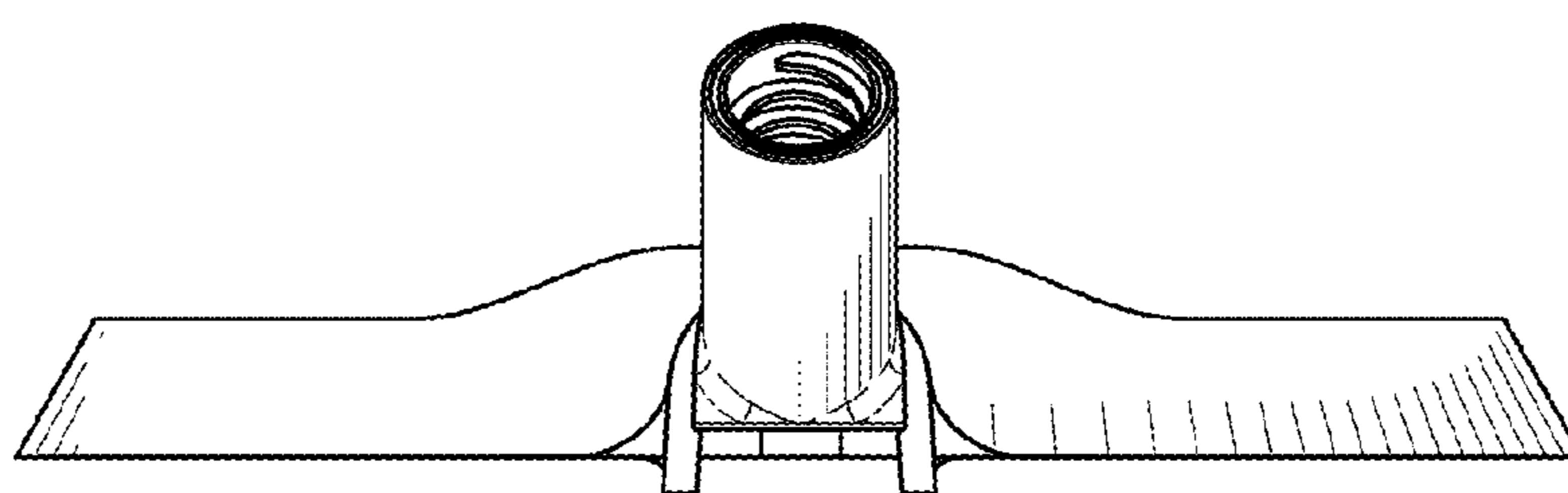


FIG. 3

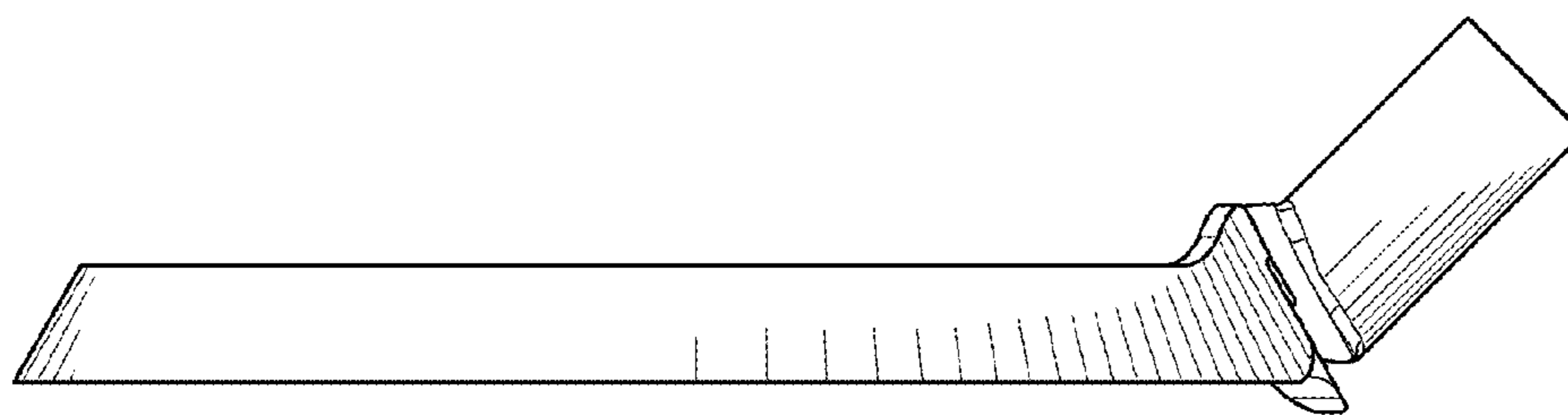


FIG. 4

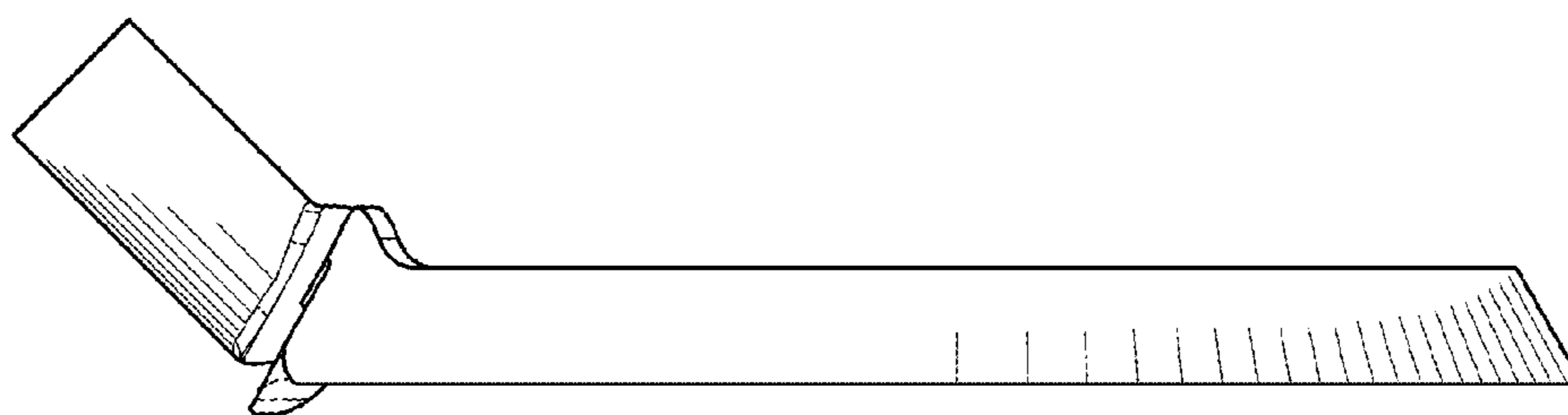


FIG. 5

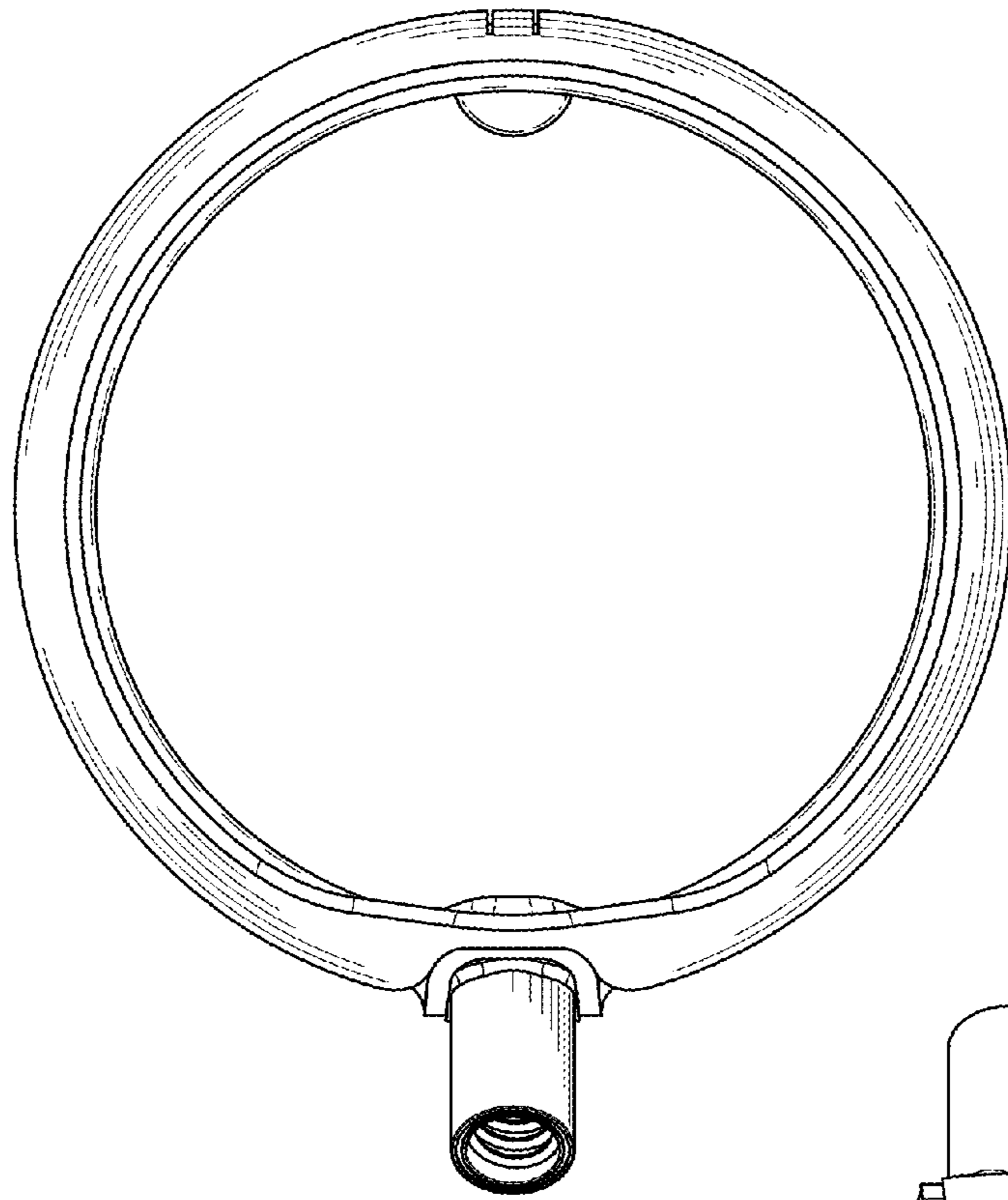


FIG. 6

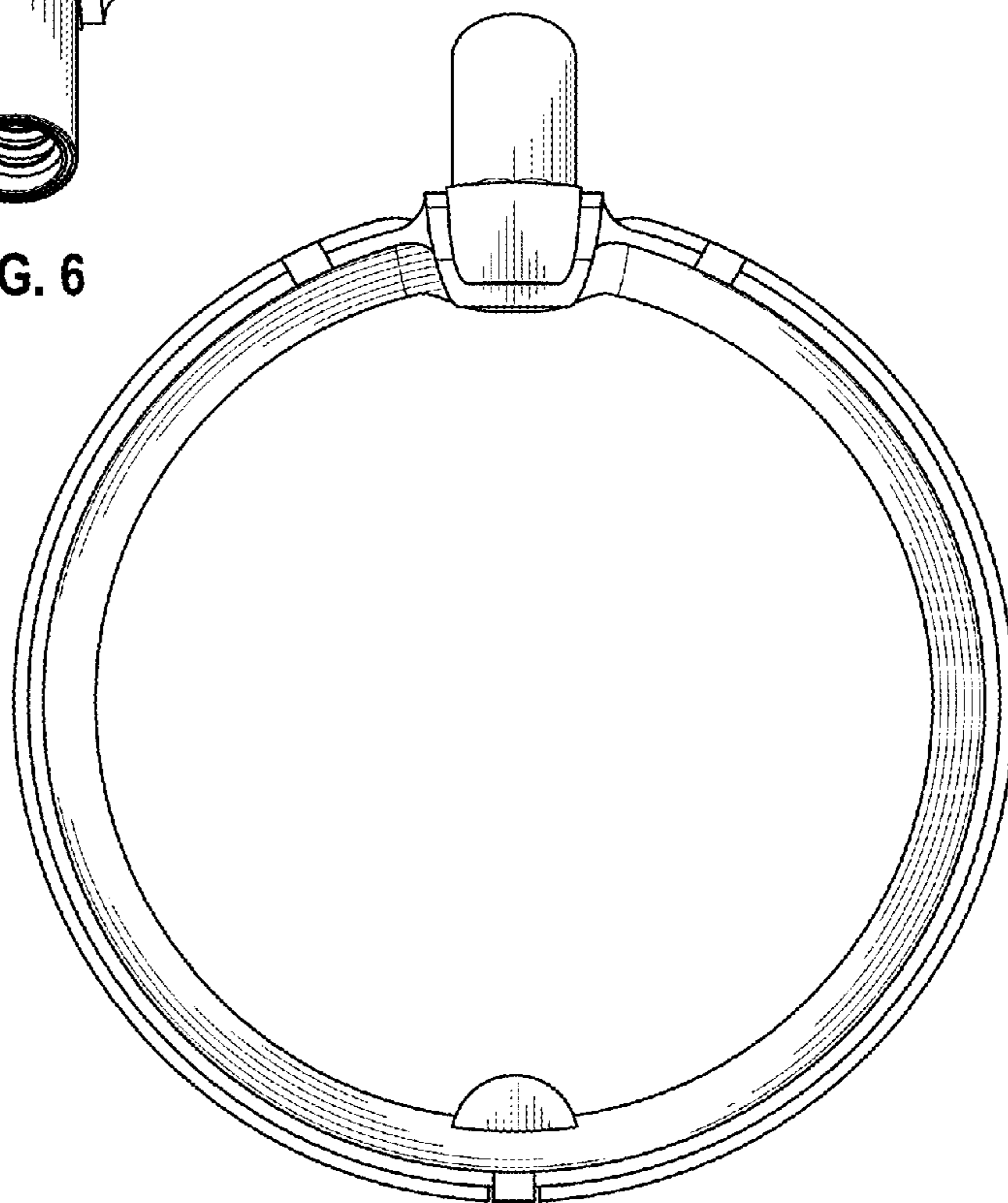


FIG. 7