



US00D763518S

(12) **United States Design Patent**
Fletcher et al.

(10) **Patent No.:** **US D763,518 S**
(45) **Date of Patent:** **** Aug. 9, 2016**

(54) **HEARING PROTECTOR HEADBAND**

(56) **References Cited**

(71) Applicant: **3M INNOVATIVE PROPERTIES COMPANY**, St. Paul, MN (US)

U.S. PATENT DOCUMENTS

(72) Inventors: **Douglas D. Fletcher**, Woodbury, MN (US); **Lindsay J. Adams**, Rosemount, MN (US); **Brenda M. Bonney**, Woodbury, MN (US); **Nicolas A. Echeverri**, Woodbury, MN (US); **Garin G. Ipsen**, West Lakeland, MN (US); **Oscar M. Hemberg**, Dalarö (SE); **Eric O. Hemberg**, Shatin (HK)

3,085,253	A *	4/1963	Ulrich	A61F 11/14
					181/256
3,104,398	A *	9/1963	Palmaer	A61F 11/14
					2/209
D403,126	S *	12/1998	Scanlon	D29/112
D403,128	S *	12/1998	Scanlon	D29/112
D411,200	S *	6/1999	Almqvist	D14/192
D413,413	S *	8/1999	Dillon	D14/205
D434,191	S *	11/2000	Emilsson	D29/112
D464,469	S *	10/2002	Dix	D29/112
D484,868	S *	1/2004	Suzuki	D14/205
6,724,906	B2	4/2004	Naksen		
D509,323	S *	9/2005	Emilsson	D29/112
D541,483	S *	4/2007	Birgersson	D29/112
7,457,649	B1	11/2008	Wilson		
D651,764	S *	1/2012	Gresko	D29/112
D663,902	S	7/2012	Karlsson		
D687,409	S	8/2013	Lee		
D736,475	S *	8/2015	Fletcher	D29/112
D744,171	S *	11/2015	Rose	D29/112

(73) Assignee: **3M INNOVATIVE PROPERTIES COMPANY**, St. Paul, MN (US)

(**) Term: **14 Years**

* cited by examiner

(21) Appl. No.: **29/516,305**

Primary Examiner — Elizabeth J Oswecki
(74) *Attorney, Agent, or Firm* — Irina Hass

(22) Filed: **Jan. 30, 2015**

(51) **LOC (10) Cl.** **29-02**

(52) **U.S. Cl.**
USPC **D29/122**; D29/112

(58) **Field of Classification Search**
USPC D29/100, 102, 105, 106, 108, 112, 122;
2/455, 410, 417, 423, 424, 425, 9, 171,
2/208, 209, 918; D14/205, 223, 249;
181/129, 130, 135; 379/430, 431;
381/380, 381; 455/90.3, 575.1
CPC A42B 3/16; A42B 3/163; A42B 3/166;
A61F 11/06; A61F 11/08; A61F 11/10;
A61F 11/12; A61F 11/14; A61F 2011/085;
H04R 1/10; H04R 1/1008; H04R 1/1016;
H04R 1/105; H04R 1/1058; H04R 1/1066;
H04R 1/1075; H04R 1/1083; H04R 5/0335;
H04R 25/652; H04R 25/654; H04R 25/656;
A63B 71/10

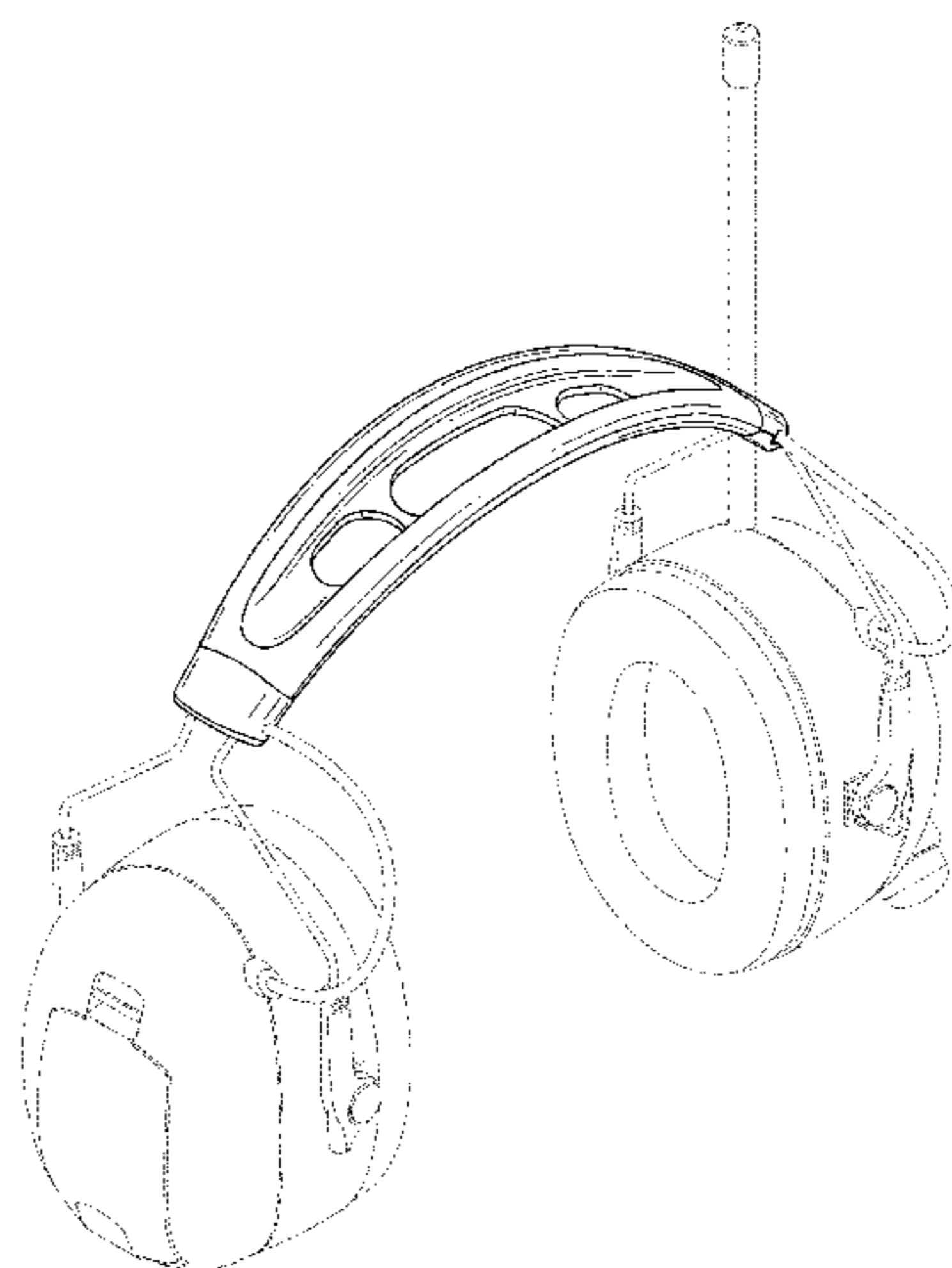
See application file for complete search history.

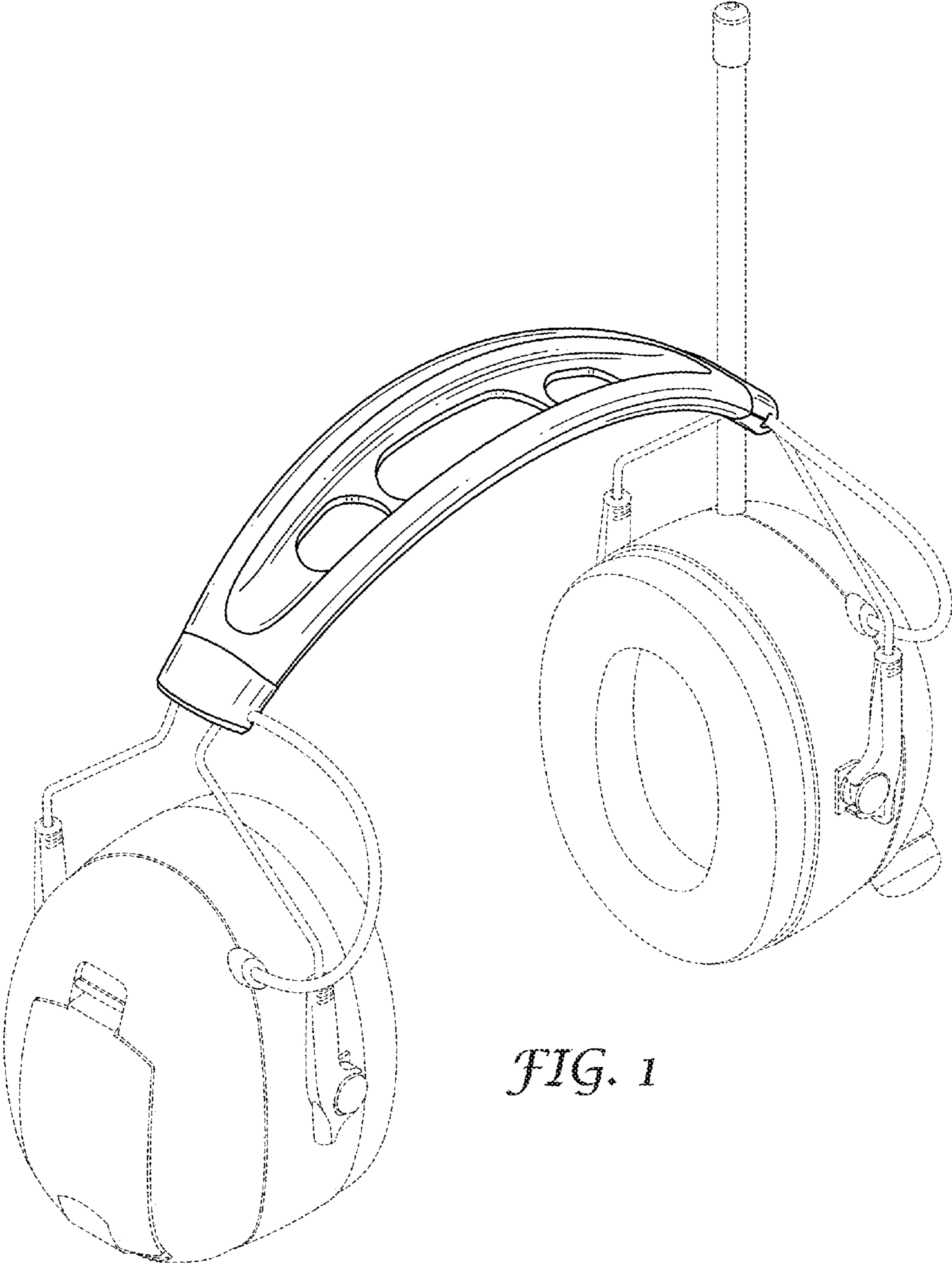
(57) **CLAIM**
The ornamental design for a hearing protector headband, as shown and described.

DESCRIPTION

FIG. 1 is a perspective view of a hearing protector headband showing our new design;
FIG. 2 is a front view thereof;
FIG. 3 is a top view thereof;
FIG. 4 is a rear view thereof;
FIG. 5 is a bottom view thereof;
FIG. 6 is a right side view thereof; and,
FIG. 7 is a left side view thereof.
The portions of the hearing protector headband in FIGS. 1-7 shown in broken lines are included to show features that form no part of the claimed design.

1 Claim, 4 Drawing Sheets





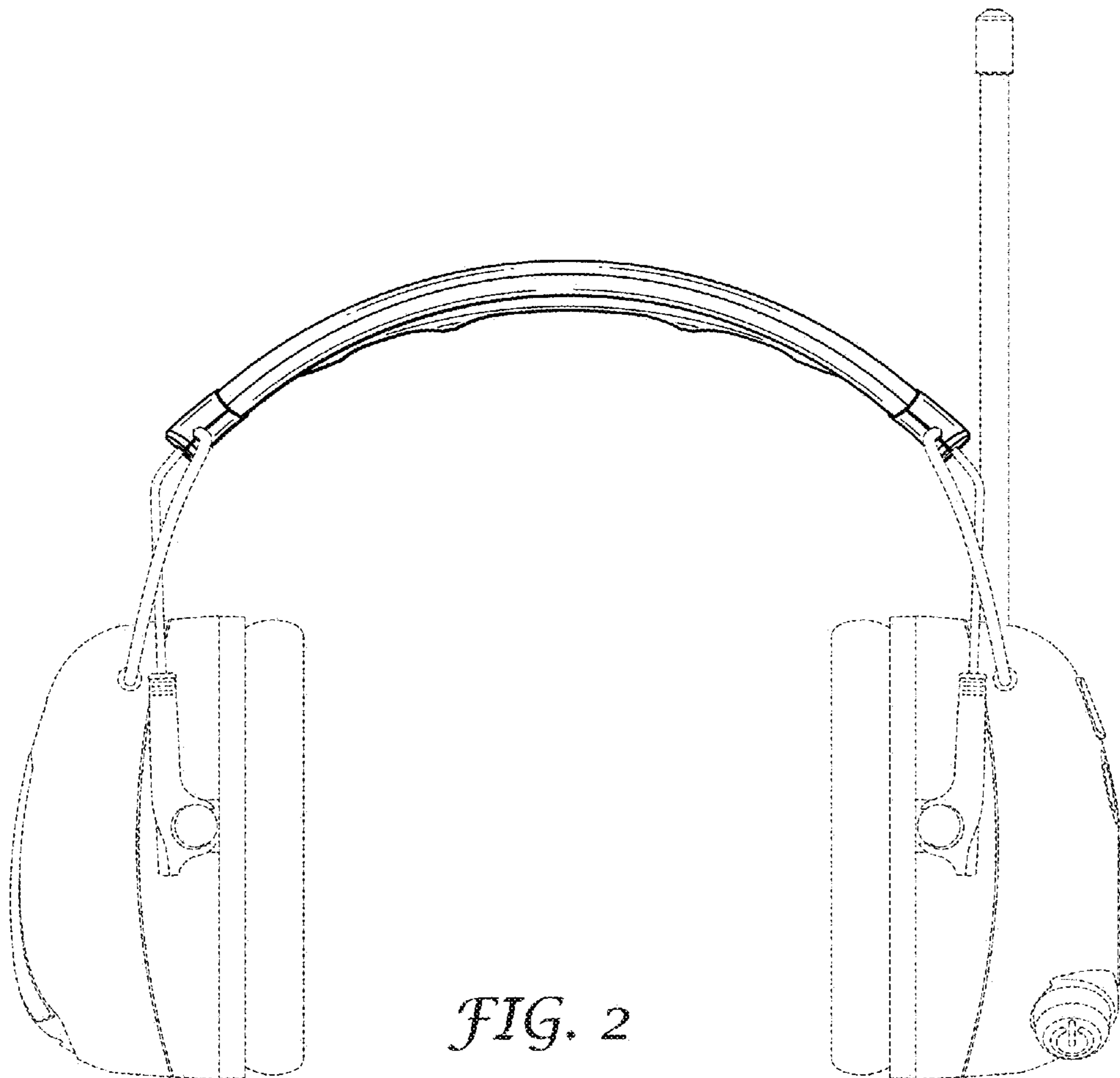


FIG. 2

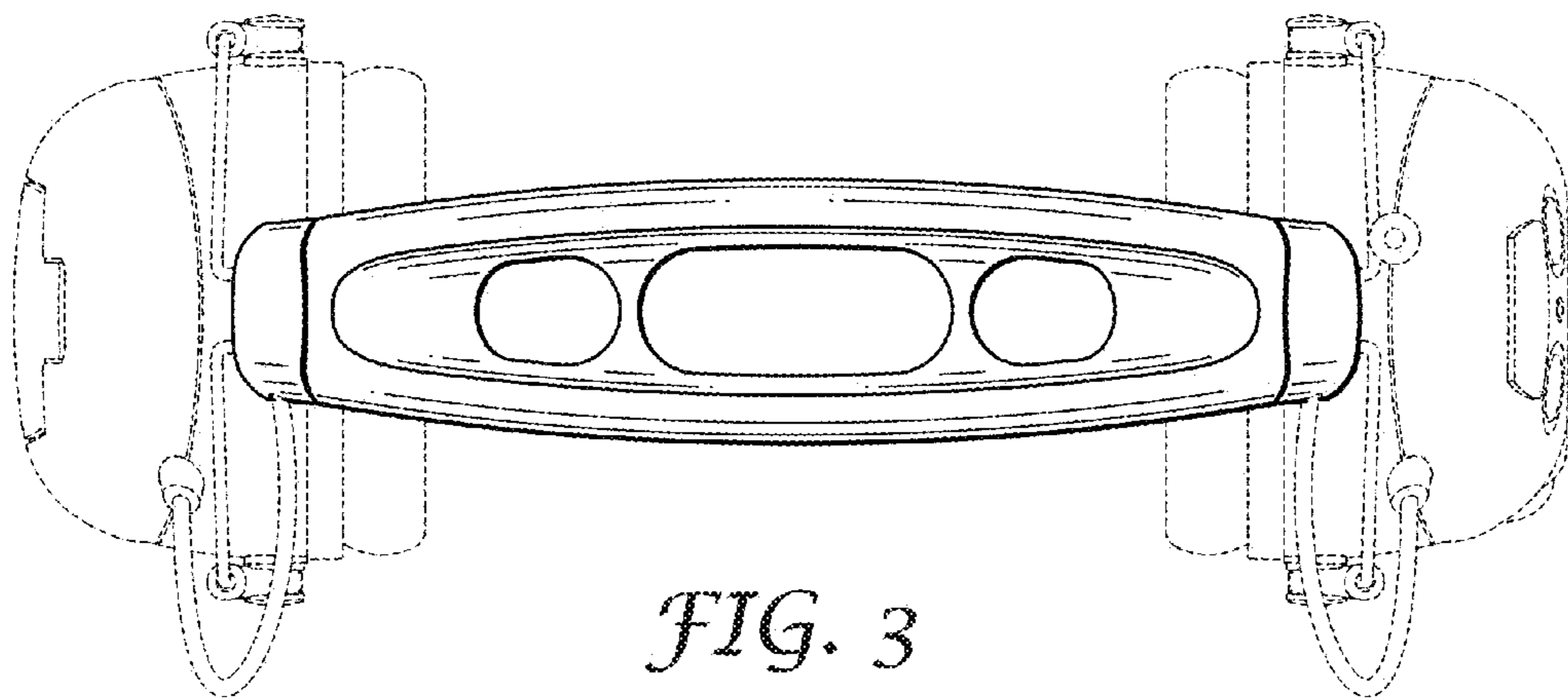


FIG. 3

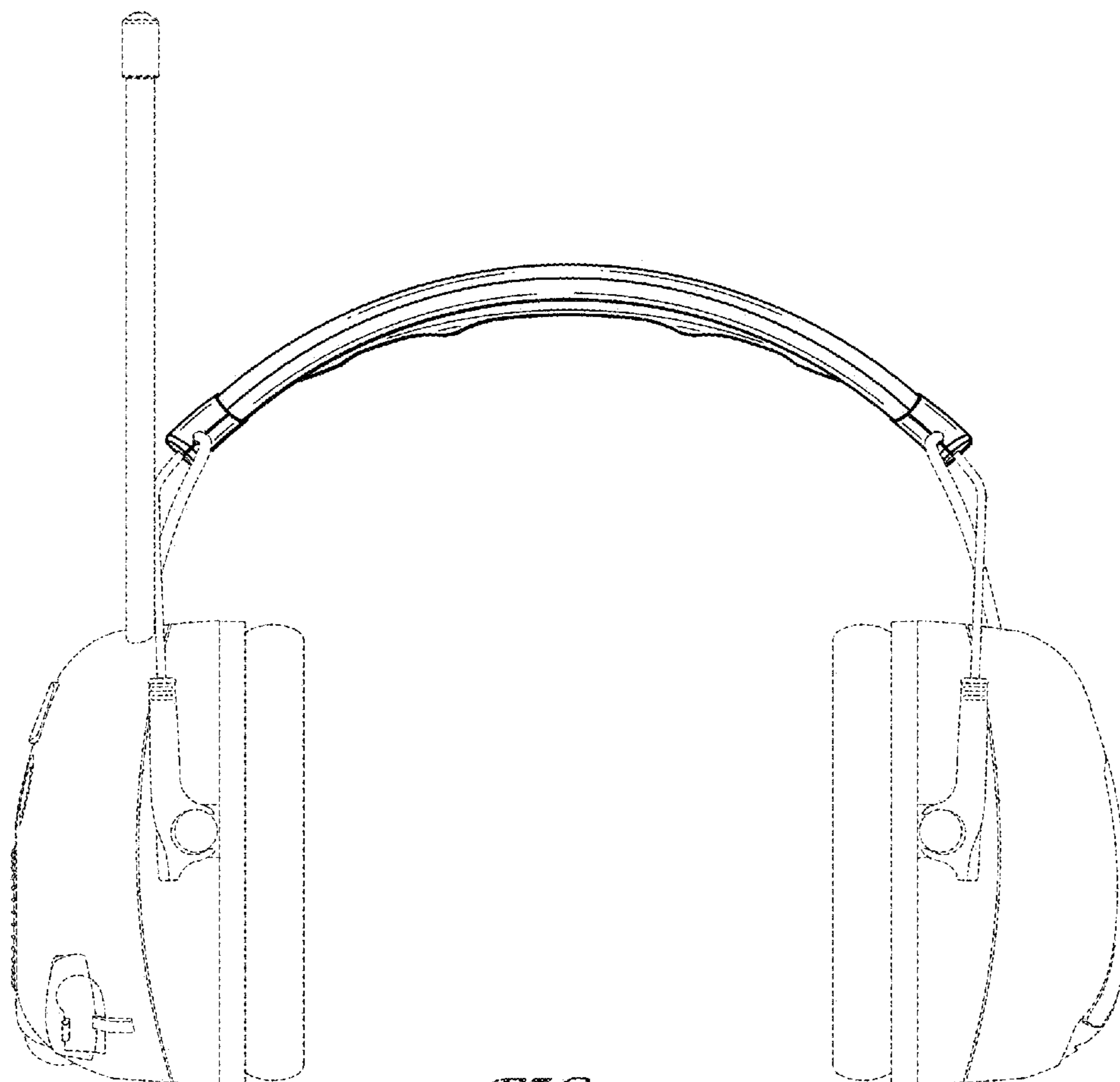


FIG. 4

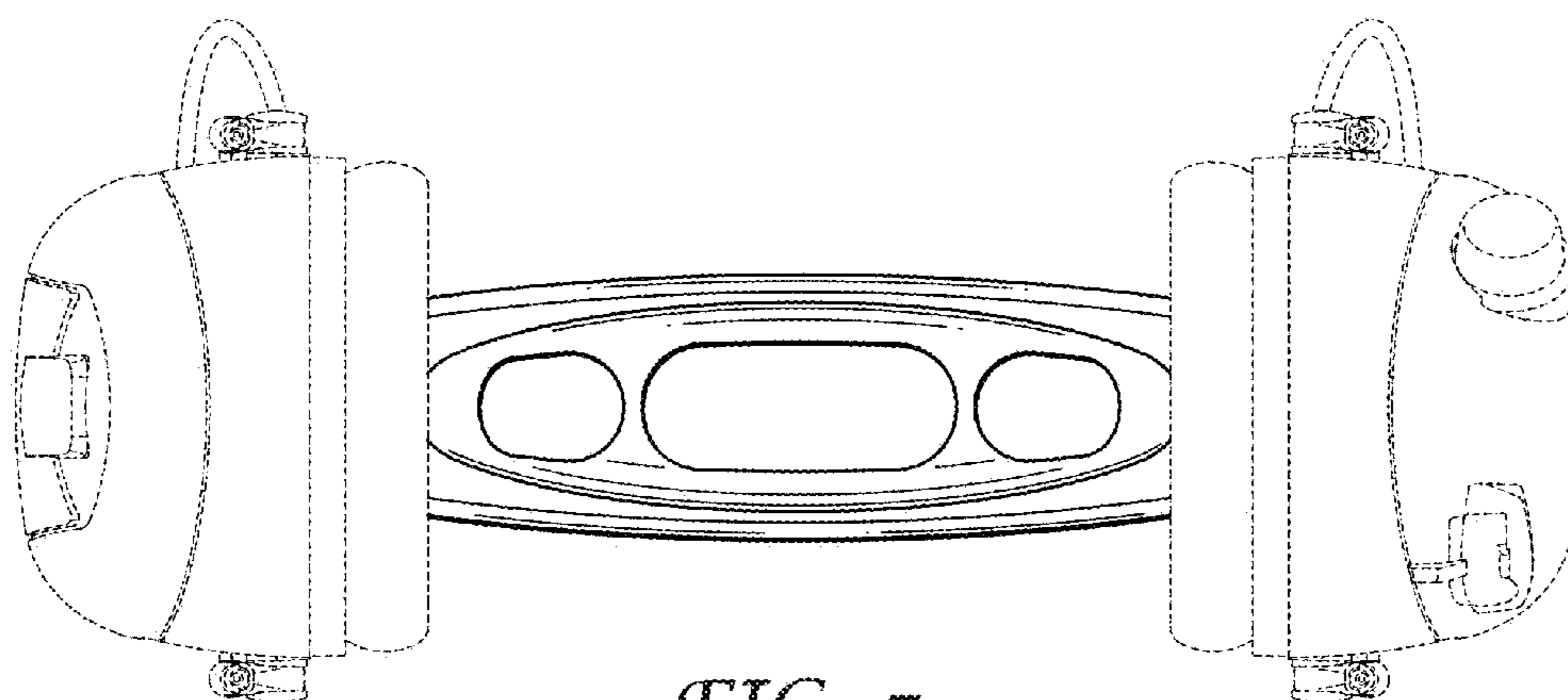


FIG. 5

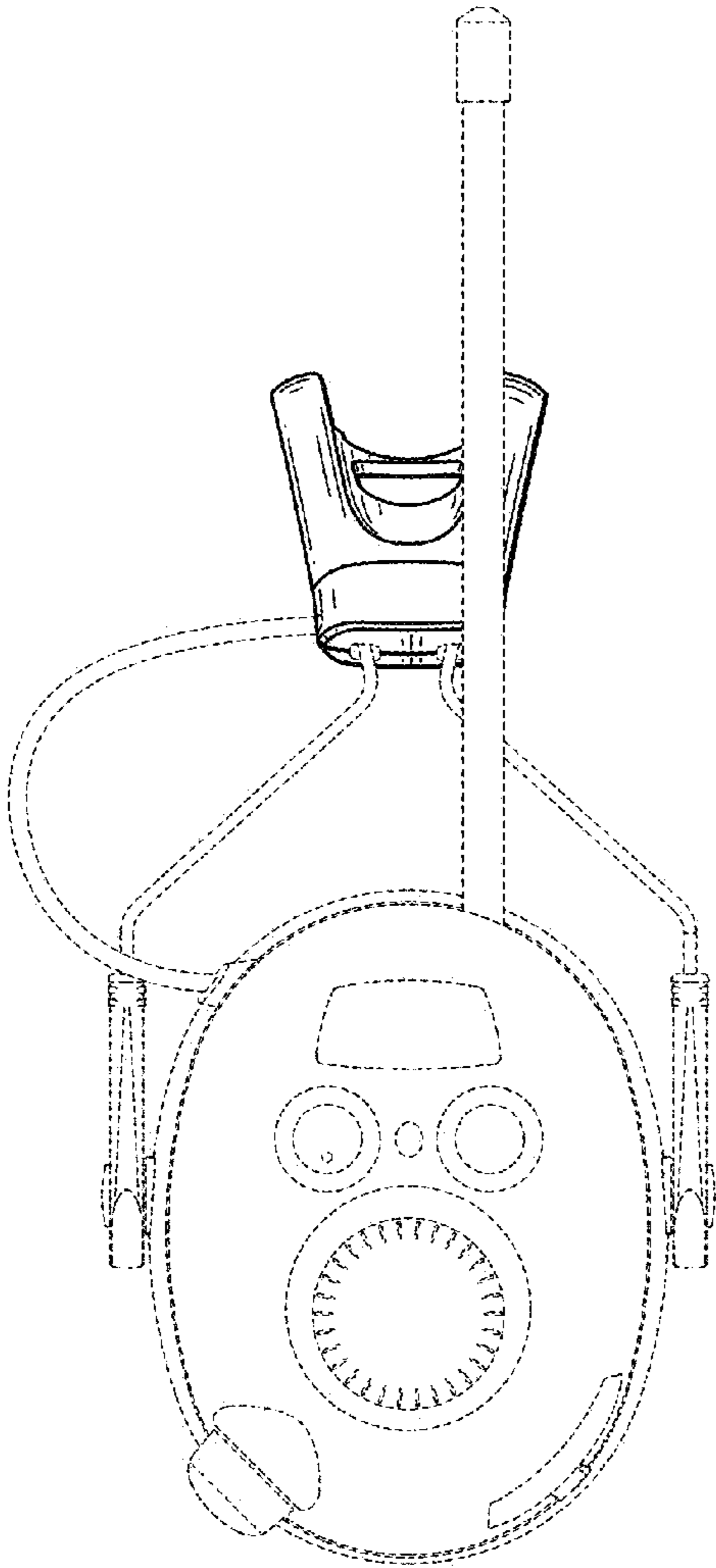


FIG. 6

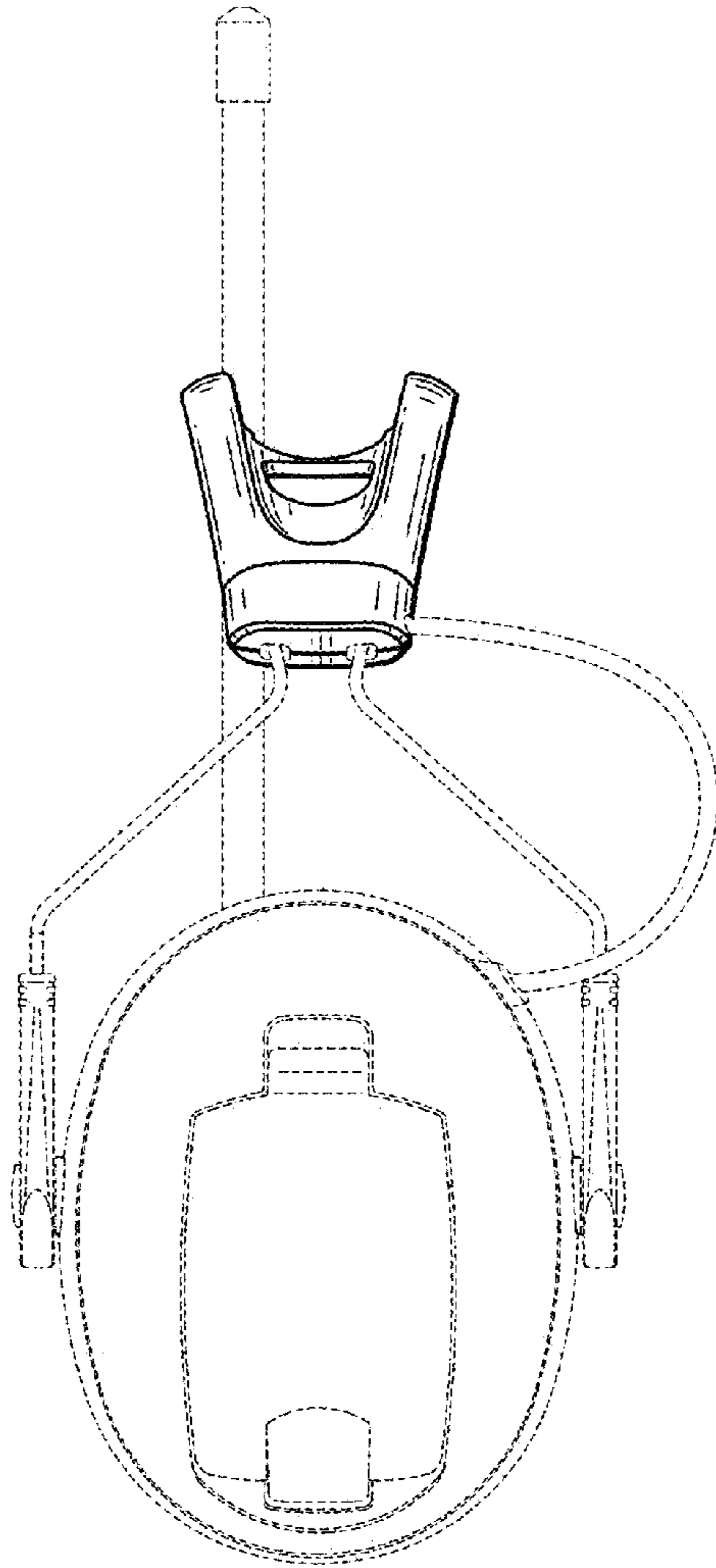


FIG. 7