

US00D763517S

(12) **United States Design Patent**
Cavazos

(10) **Patent No.:** **US D763,517 S**
(45) **Date of Patent:** **** Aug. 9, 2016**

(54) **KNEEPAD WITH REMOVABLE JOIST SUPPORT**

(71) Applicant: **Urbano Cavazos**, Corpus Christi, TX (US)

(72) Inventor: **Urbano Cavazos**, Corpus Christi, TX (US)

(**) Term: **15 Years**

(21) Appl. No.: **29/531,171**

(22) Filed: **Jun. 23, 2015**

(51) **LOC (10) Cl.** **29-02**

(52) **U.S. Cl.**
USPC **D29/121.1**

(58) **Field of Classification Search**
USPC D29/10, 11, 100, 101.5, 122, 121.1;
D2/711, 713; 128/95.1, 96.1, 98.1,
128/846, 891; 602/67, 72, 73, 96, 108, 114;
2/2, 455; 450/38, 228, 267, 403, 405;
623/7; 604/352, 353, 395
CPC A41D 13/05; A41D 13/0525; A63B 71/08
See application file for complete search history.

(56) **References Cited**

U.S. PATENT DOCUMENTS

D354,590 S * 1/1995 Paikos D29/100
5,382,000 A * 1/1995 Rossman E04F 21/22
254/17

6,151,714 A * 11/2000 Pratt A41D 13/065
2/24
D463,072 S * 9/2002 Munoz D29/121.1
D478,992 S * 8/2003 Burke D24/190
6,807,682 B1 * 10/2004 Shircliff A41D 13/065
2/24
D504,981 S * 5/2005 Vanderhoef D29/121.1
D516,254 S * 2/2006 Shircliff D29/121.1
D649,257 S * 11/2011 Cowan D24/209
D704,898 S * 5/2014 Kaal D29/121.1
D733,365 S * 6/2015 Hassler D29/121.1

* cited by examiner

Primary Examiner — Randall Gholson

(74) *Attorney, Agent, or Firm* — Gulf Coast Intellectual Property Group

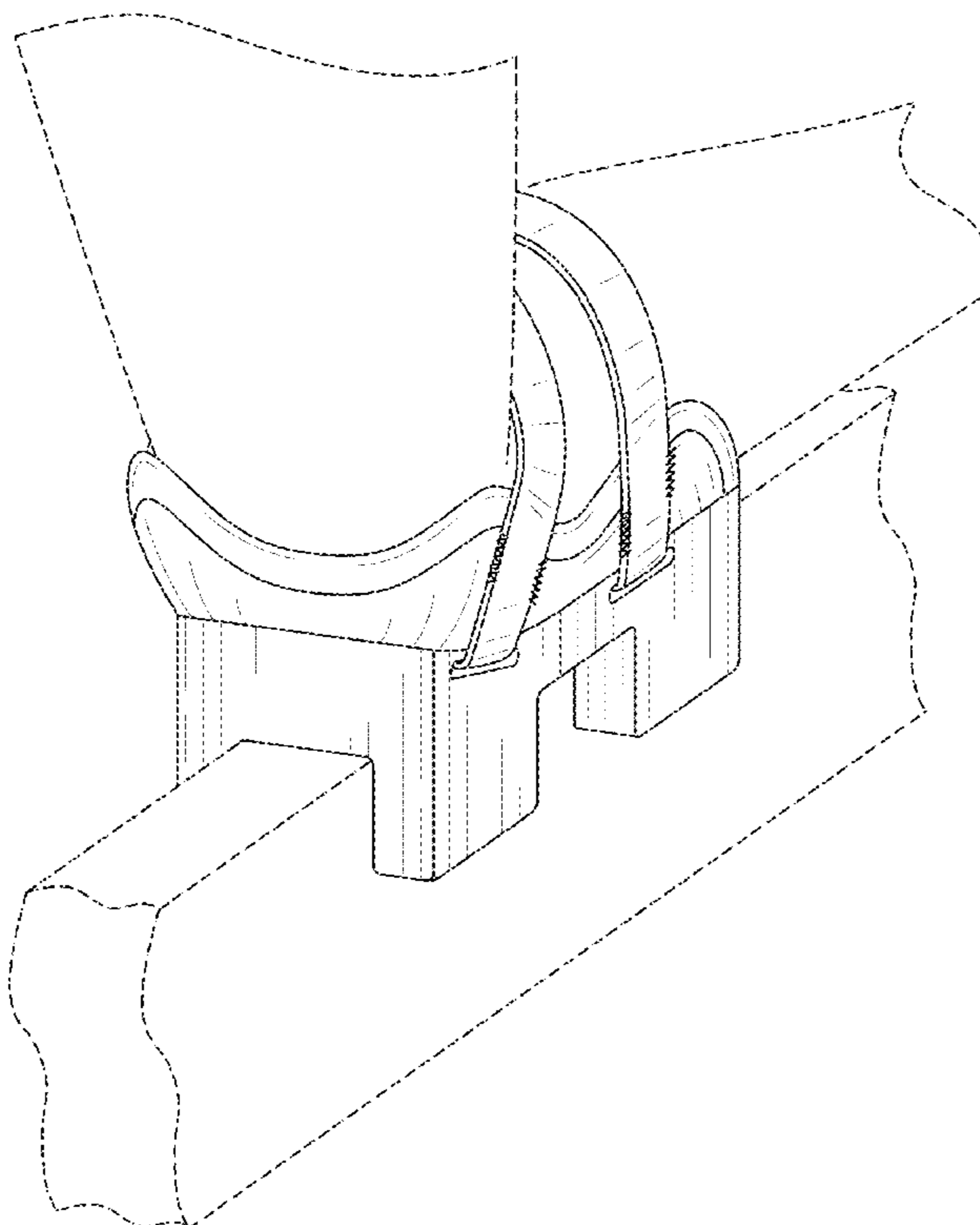
(57) **CLAIM**

The ornamental design for a kneepad with removable joist support, as shown and described.

DESCRIPTION

FIG. 1 is a perspective view of the present invention; and FIG. 2 is a top plan view of the present invention; and FIG. 3 is a bottom plan view of the present invention; and FIG. 4 is a right side view of the present invention; and FIG. 5 is a left side view of the present invention; and, FIG. 6 is a front plan view of the present invention. Wherein the dotted lines herein illustrate environment and use and do not form any part of the claimed design.

1 Claim, 4 Drawing Sheets



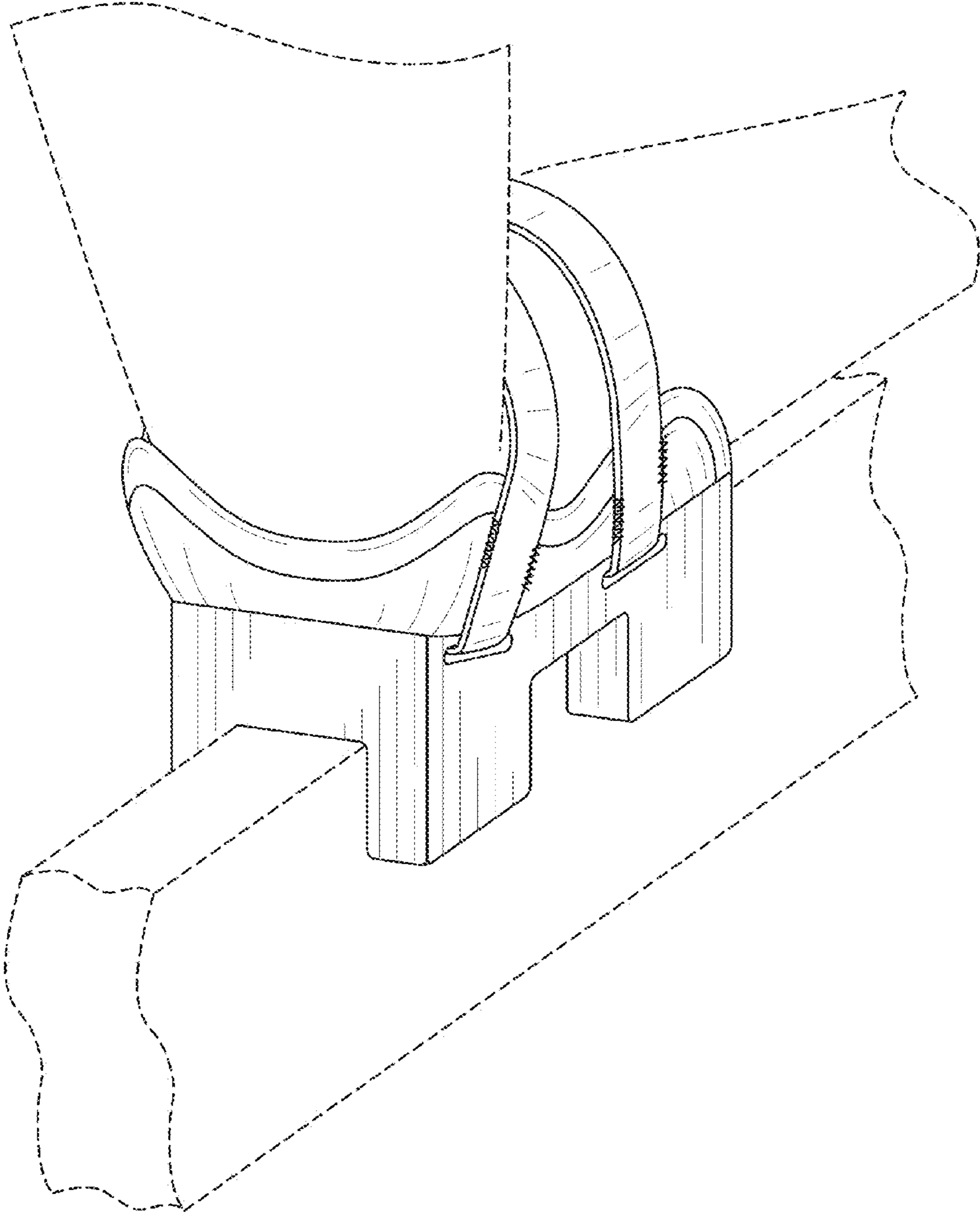


FIG. 1

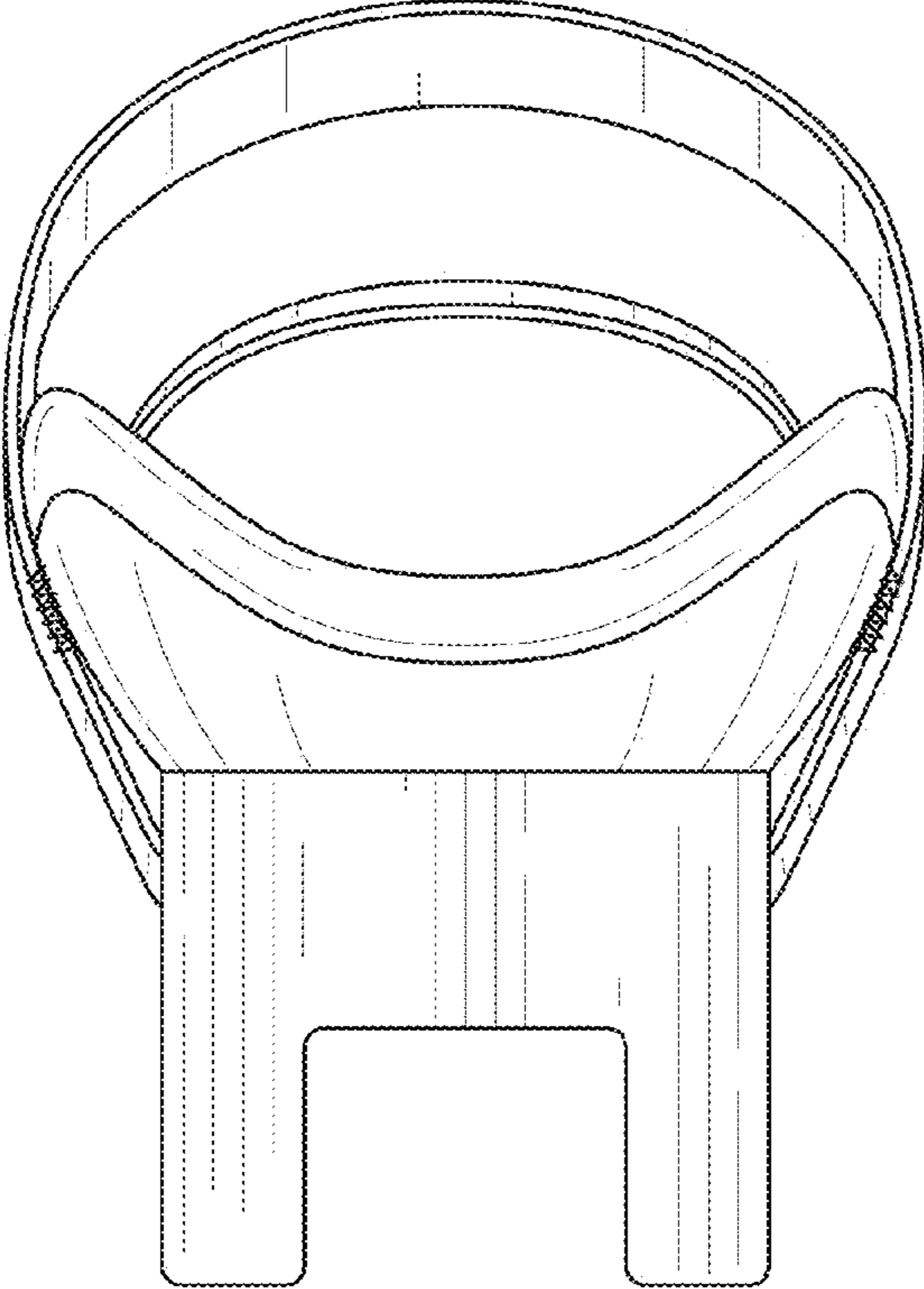


FIG. 2

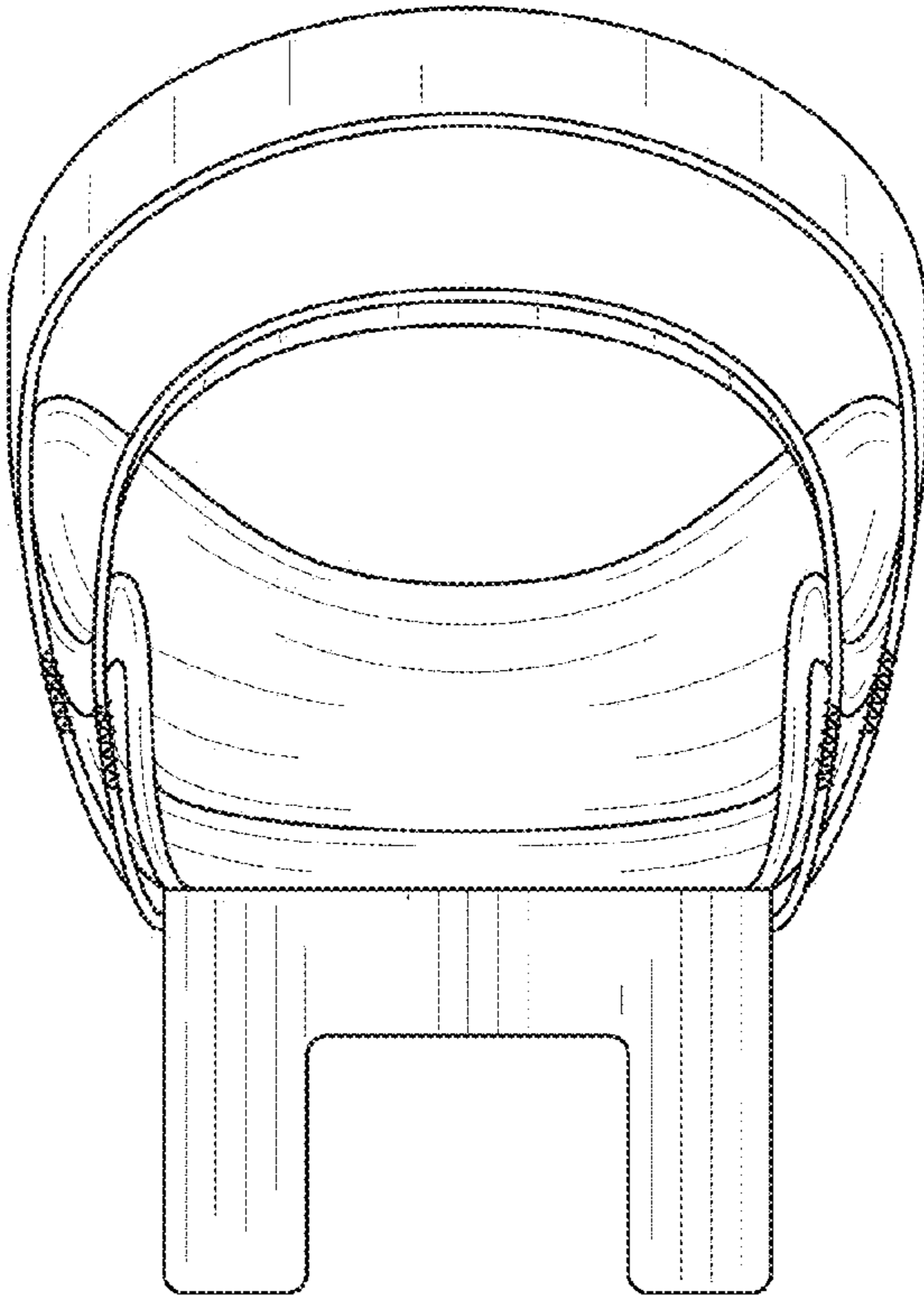


FIG. 3

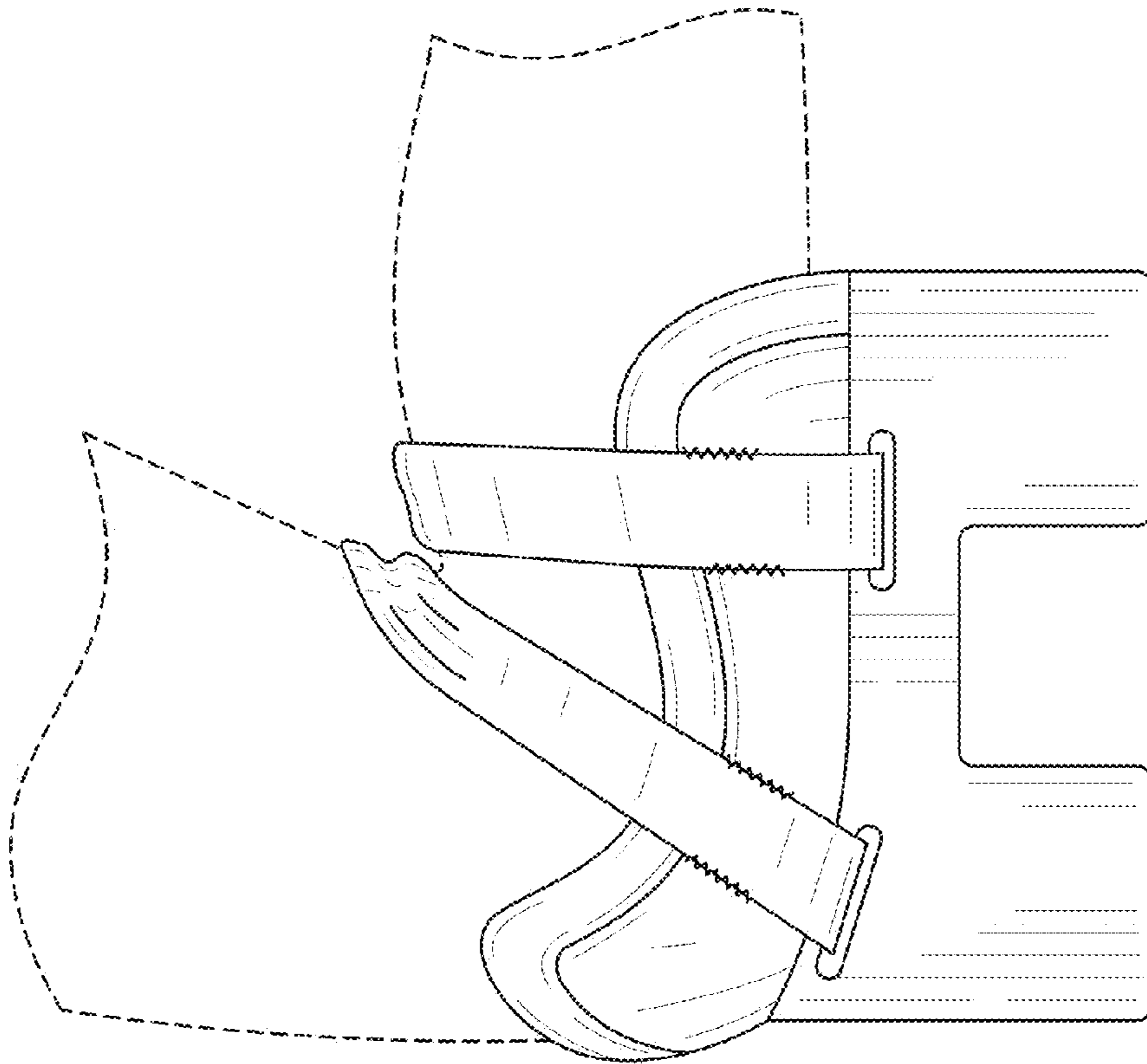


FIG. 5

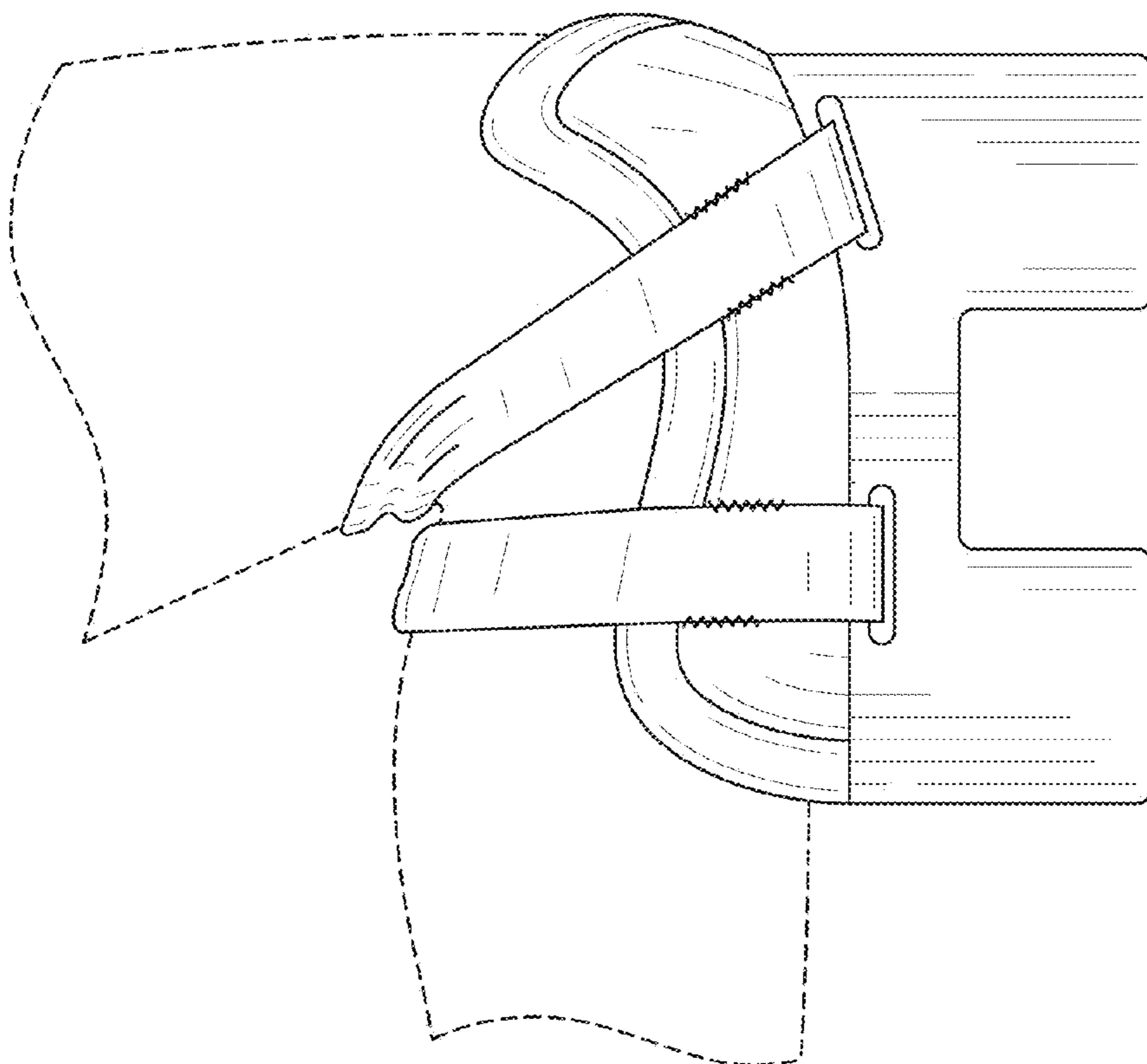


FIG. 4

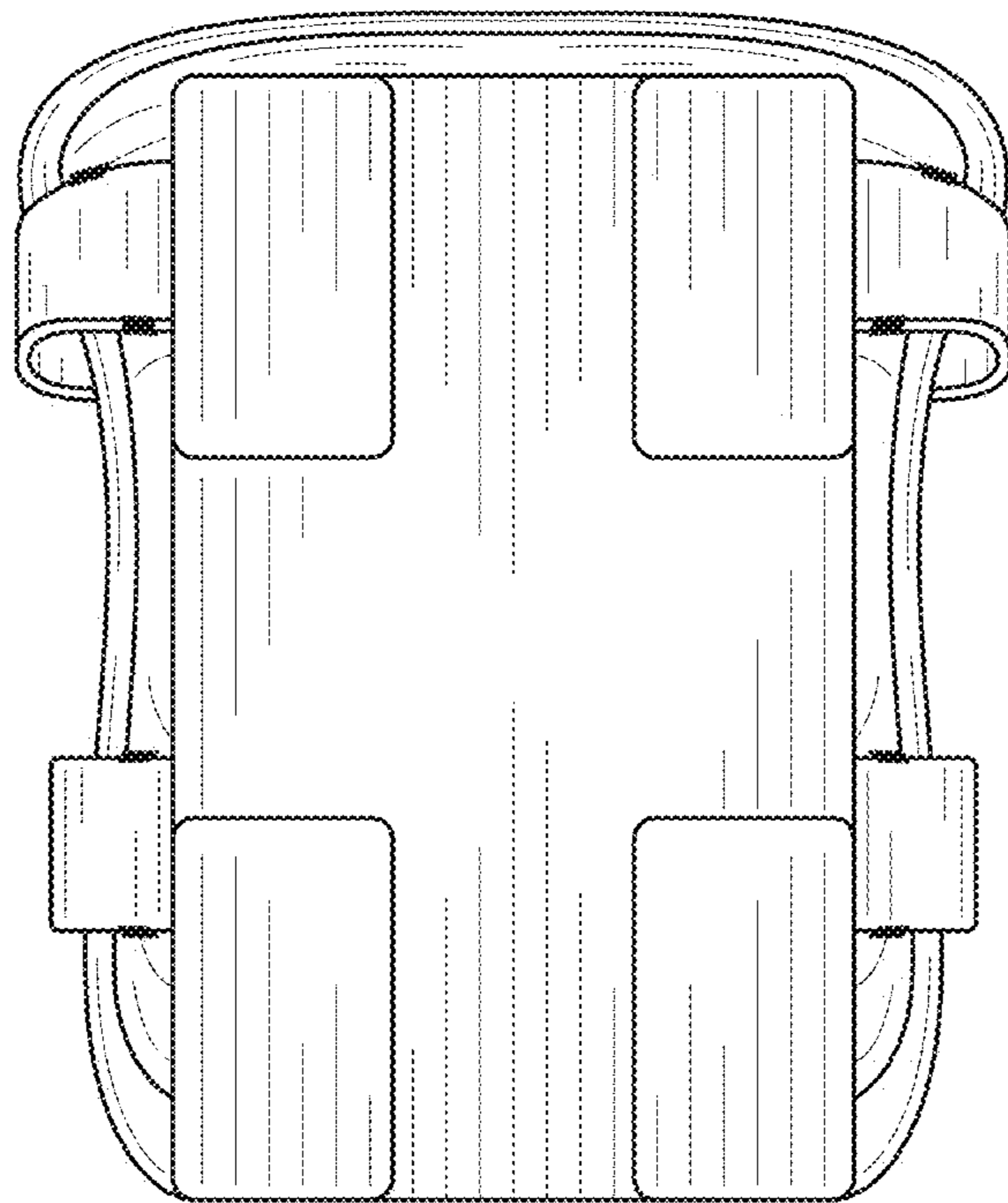


FIG. 6