

US00D763511S

(12) **United States Design Patent**
Petrucelli

(10) **Patent No.:** **US D763,511 S**

(45) **Date of Patent:** **** Aug. 9, 2016**

(54) **HOLDER FOR HAIR STYLING TOOLS**

(71) Applicant: **P.S. Pibbs, Inc.**, Flushing, NY (US)

(72) Inventor: **Giulio Petrucelli**, Flushing, NY (US)

(73) Assignee: **P.S. Pibbs, Inc.**, Flushing, NY (US)

(**) Term: **14 Years**

(21) Appl. No.: **29/514,188**

(22) Filed: **Jan. 9, 2015**

(51) **LOC (10) Cl.** **28-03**

(52) **U.S. Cl.**

USPC **D28/73; D28/38**

(58) **Field of Classification Search**

USPC D6/567, 566, 528, 531, 527, 681.3,
D6/682.2, 682.5, 682.6, 677, 675, 672;
D28/73, 77, 38, 74, 93, 92; D8/373,
D8/366, 71, 352, 356, 376, 380; D7/704
CPC F16M 11/04; A45D 20/00; A45D 20/12;
A45D 2020/126; A45D 2020/128; A45D
44/02; A45D 44/04; A45D 20/16; A45D
2001/002; A45D 1/00
See application file for complete search history.

(56) **References Cited**

U.S. PATENT DOCUMENTS

D373,849 S * 9/1996 Passalacqua D28/38
D375,229 S * 11/1996 DiBella D7/619.1
D377,695 S * 1/1997 Puckett D28/38
D391,812 S * 3/1998 Shafa D7/704
D487,862 S * 3/2004 Tincher D7/620
D589,873 S * 4/2009 Banks D12/411

D603,095 S * 10/2009 Petrucelli D28/38
D632,908 S * 2/2011 Tincher D6/513
D640,003 S * 6/2011 Gilbert D28/38
D649,709 S * 11/2011 Loman D27/183
D702,885 S * 4/2014 Petrucelli D28/38
D735,939 S * 8/2015 Petrucelli D28/10
D742,592 S * 11/2015 Petrucelli D28/73
D748,334 S * 1/2016 Goodman D28/38

* cited by examiner

Primary Examiner — Jennifer Rivard

Assistant Examiner — April Rivas

(74) *Attorney, Agent, or Firm* — Gerald E. Hespos; Michael J. Porco; Matthew T. Hespos

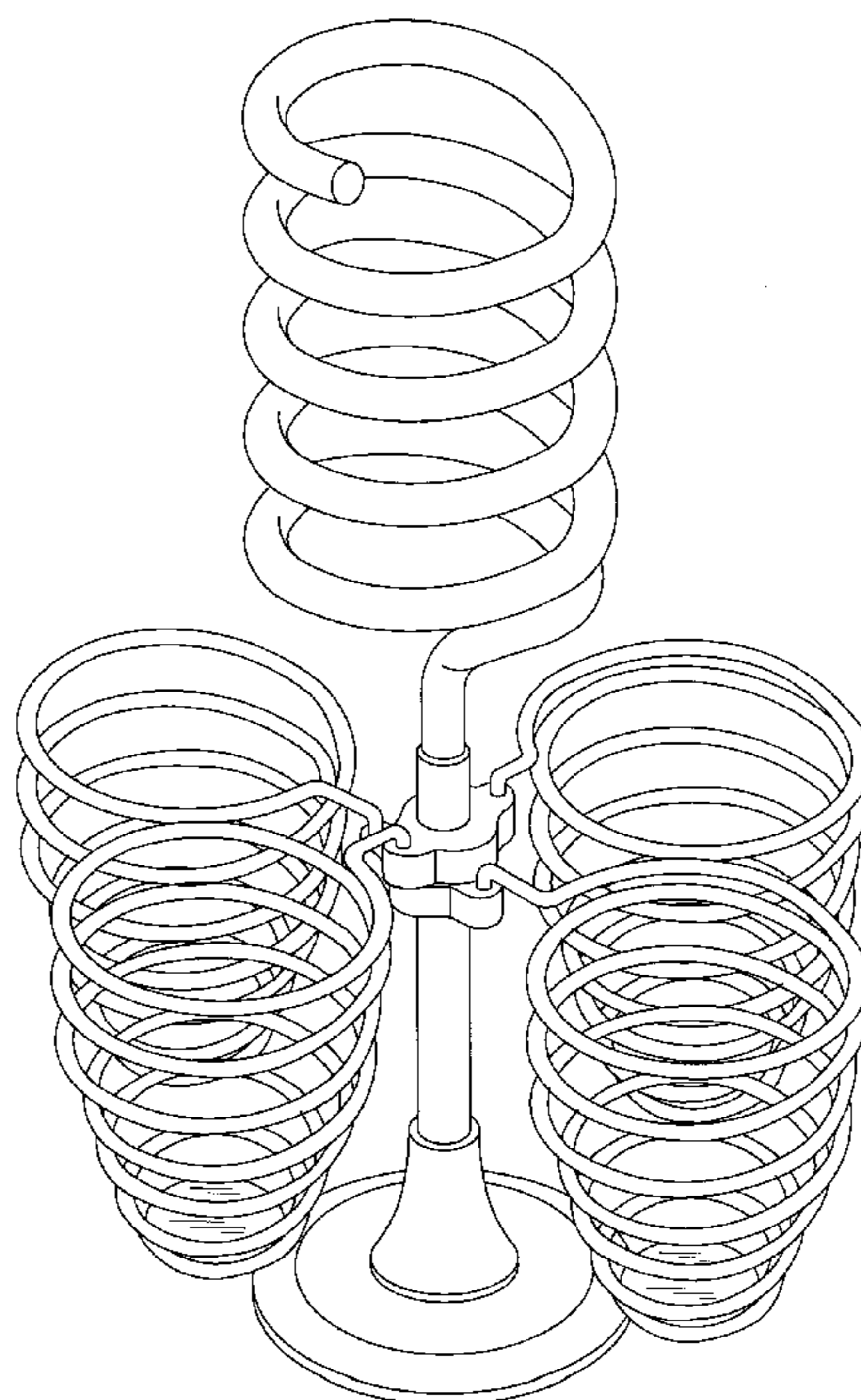
(57) **CLAIM**

The ornamental design for a holder for hair styling tools, as shown and described.

DESCRIPTION

FIG. 1 is an environmental perspective view of a holder for hair styling tools showing my new design; FIG. 2 is a perspective view of a holder for hair styling tools; FIG. 3 is a front elevational view thereof; FIG. 4 is a top plan view thereof; FIG. 5 is a right side elevational view thereof; FIG. 6 is a left side elevational view thereof; FIG. 7 is a rear elevational view thereof; and, FIG. 8 is a bottom plan view thereof. The broken lines in FIG. 1 illustrate environment and form no part of the claimed design.

1 Claim, 8 Drawing Sheets



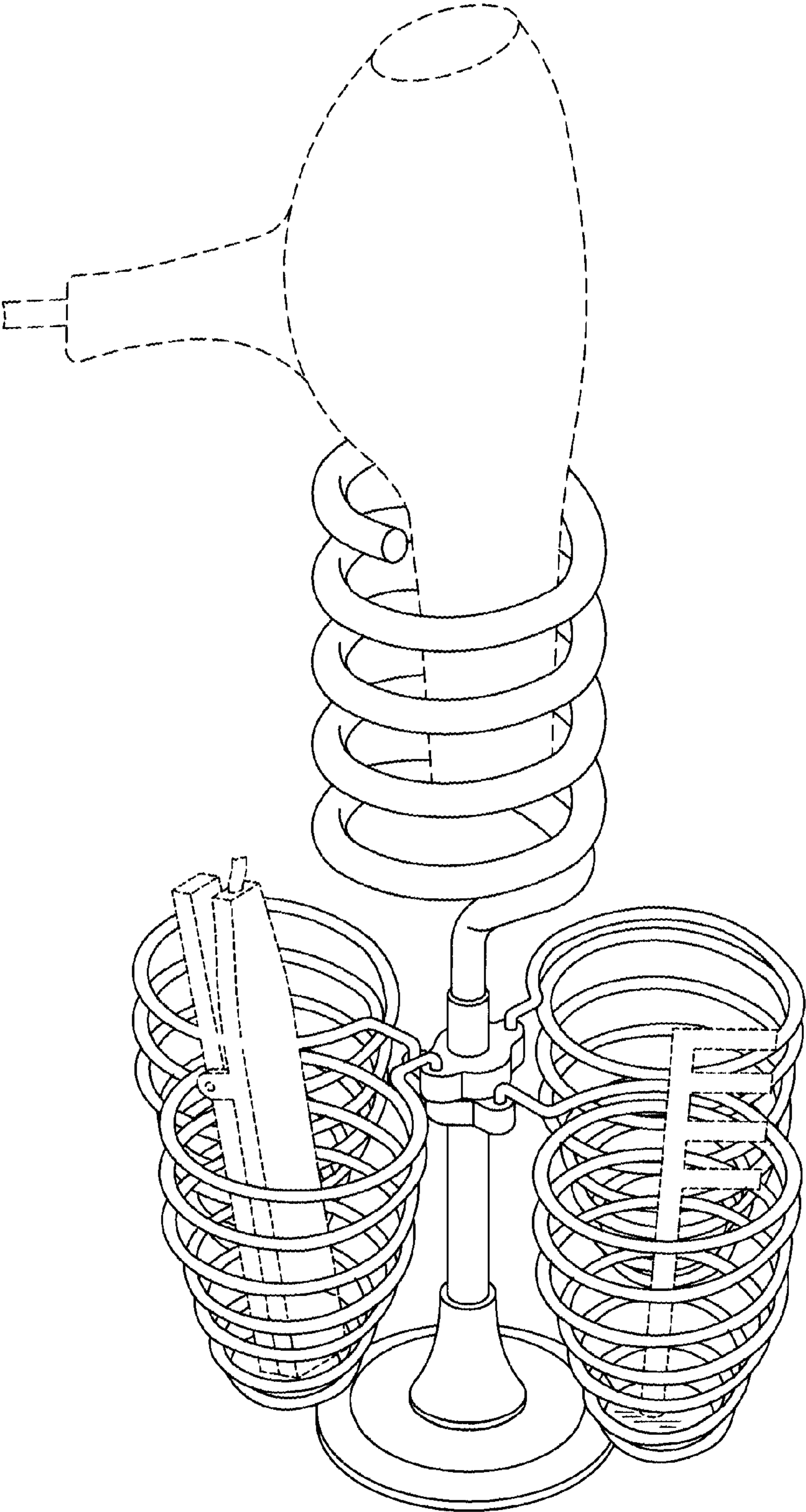


FIG. 1

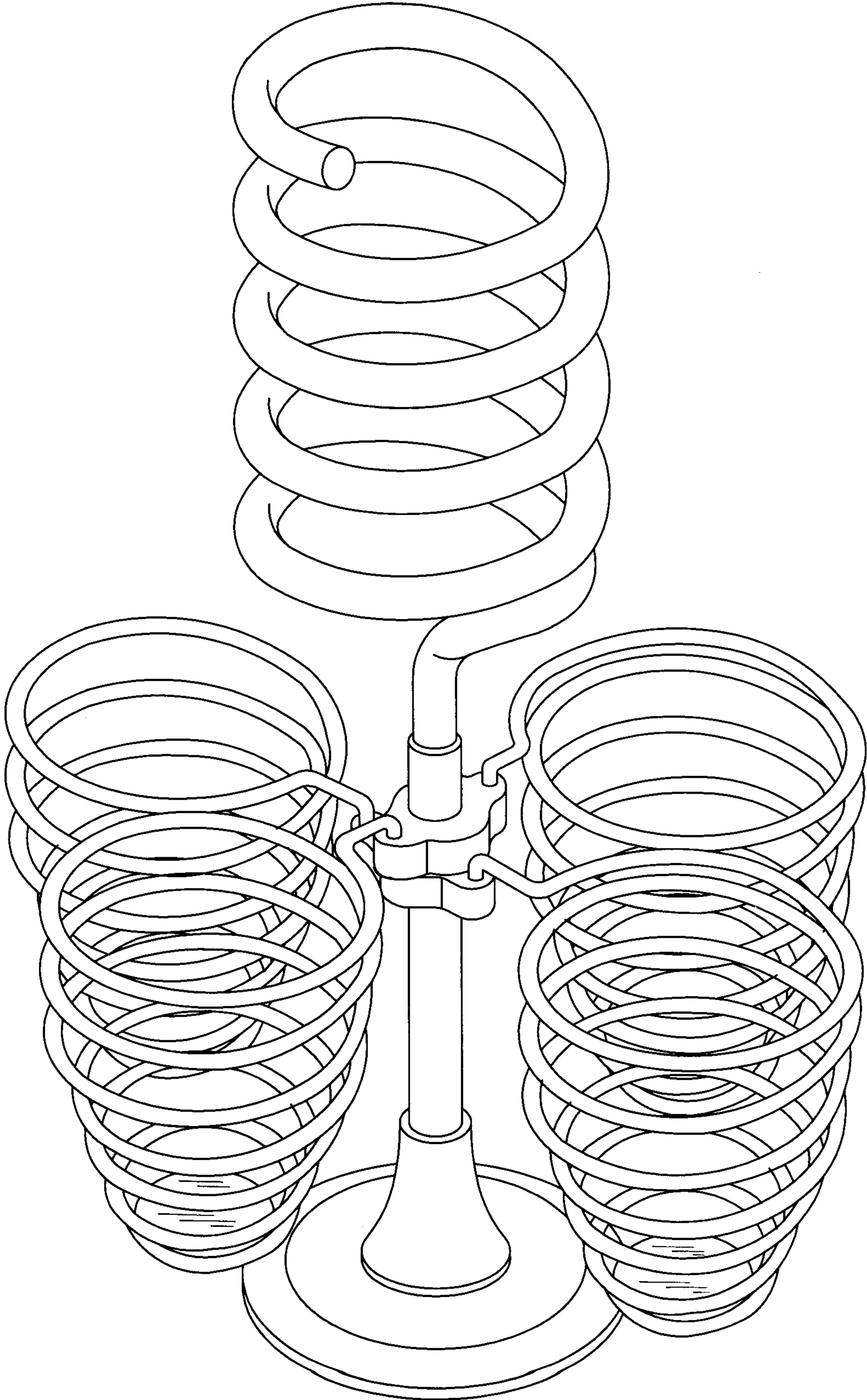


FIG.2

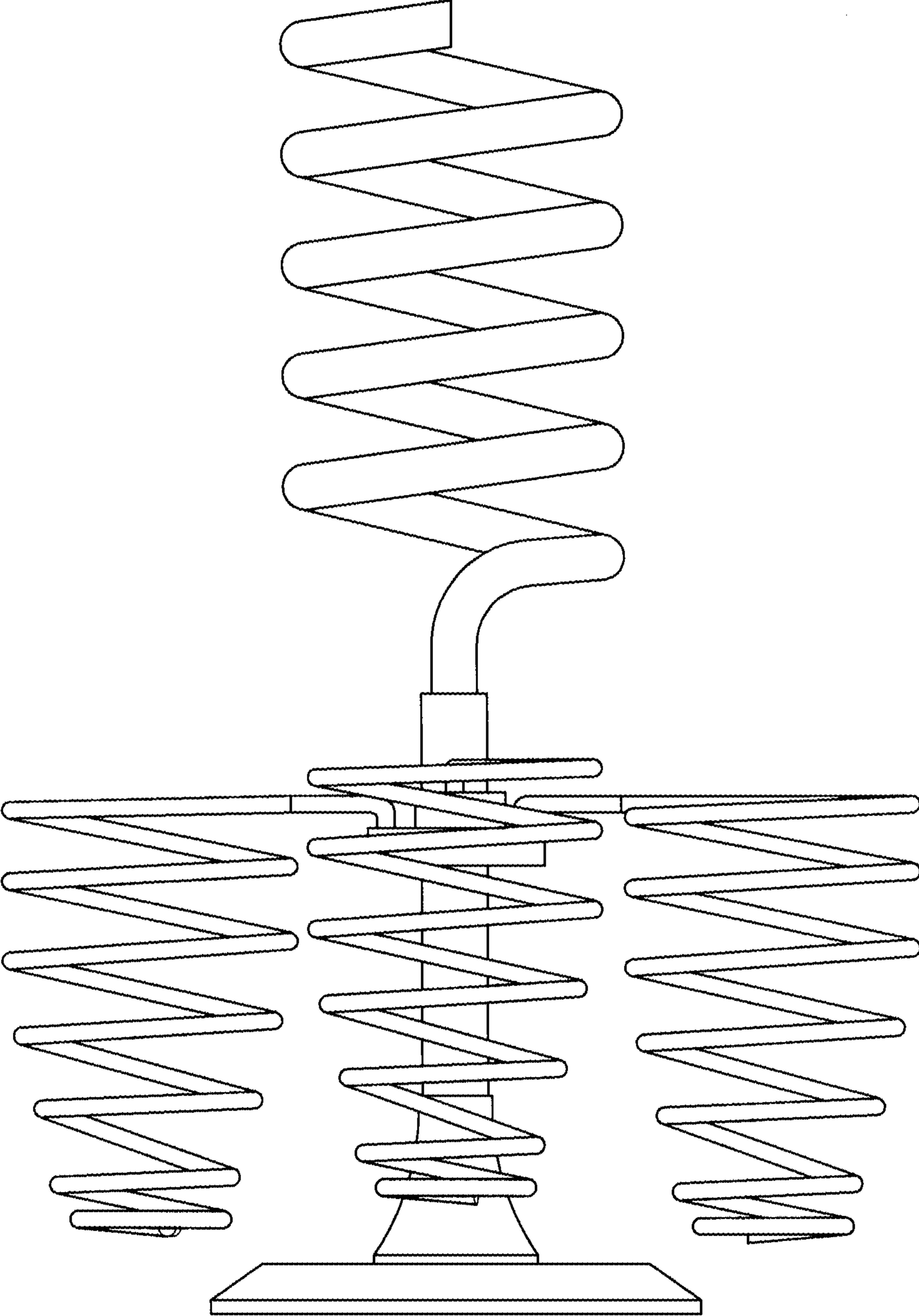


FIG.3

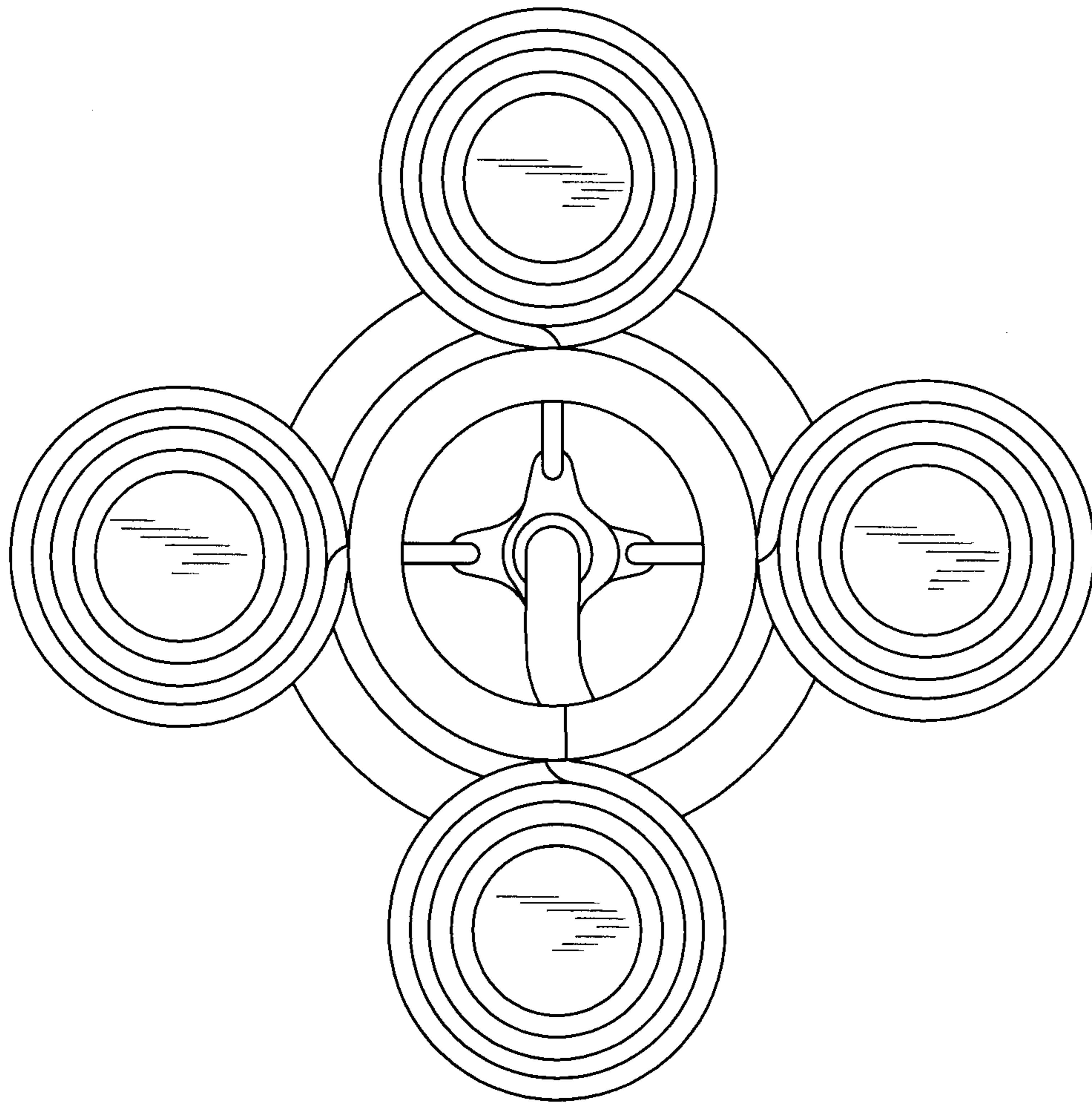


FIG.4

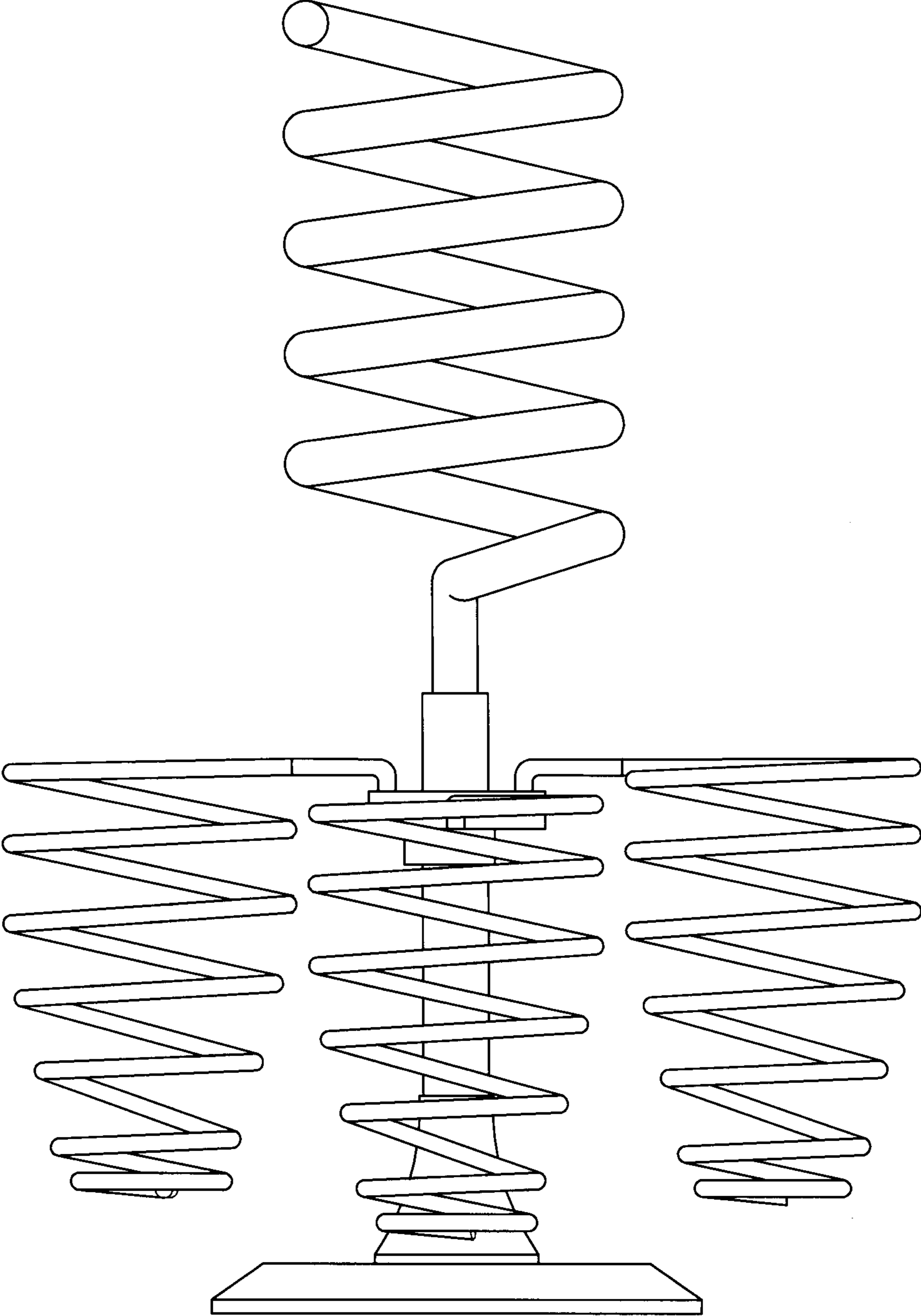


FIG.5

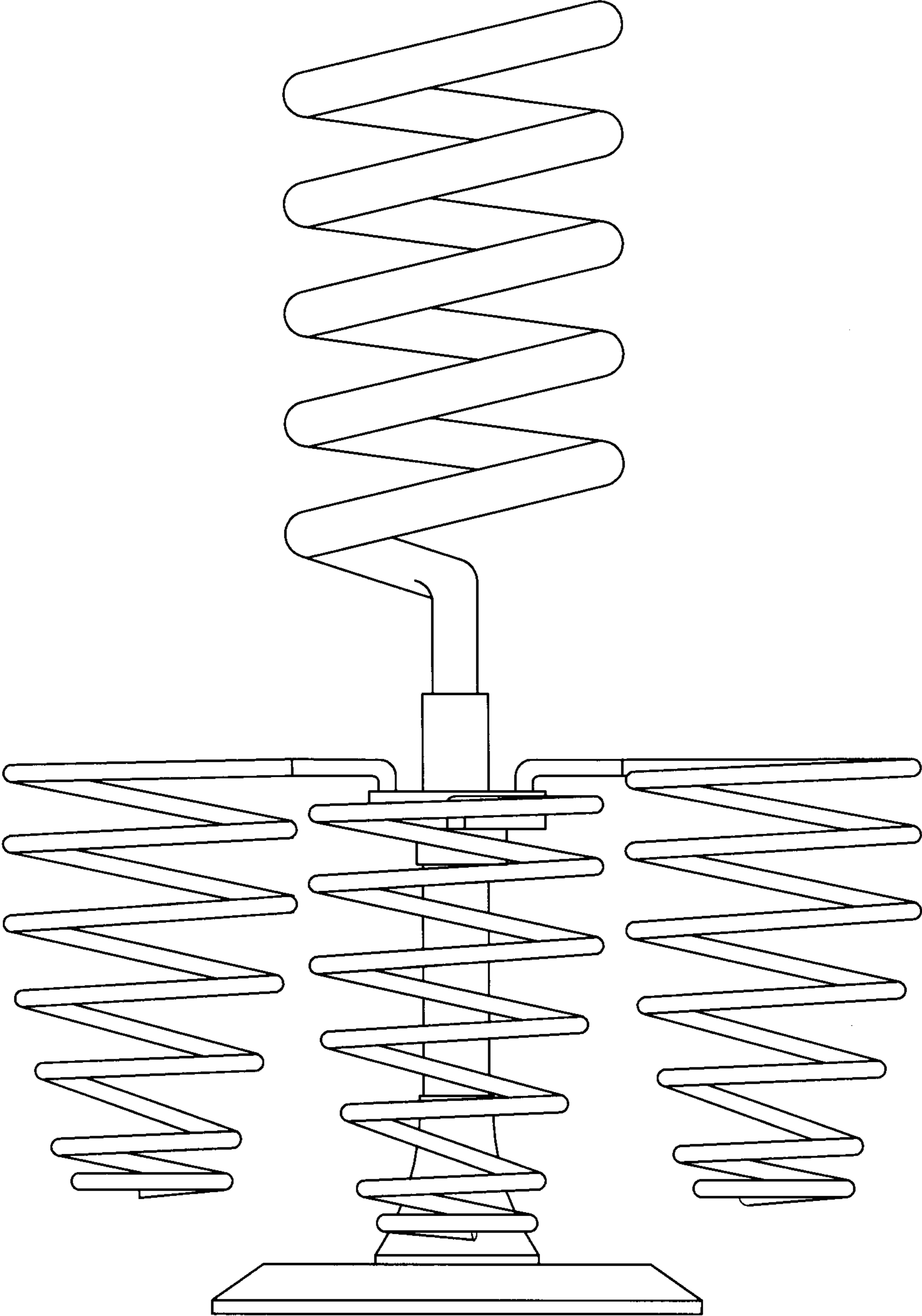


FIG.6

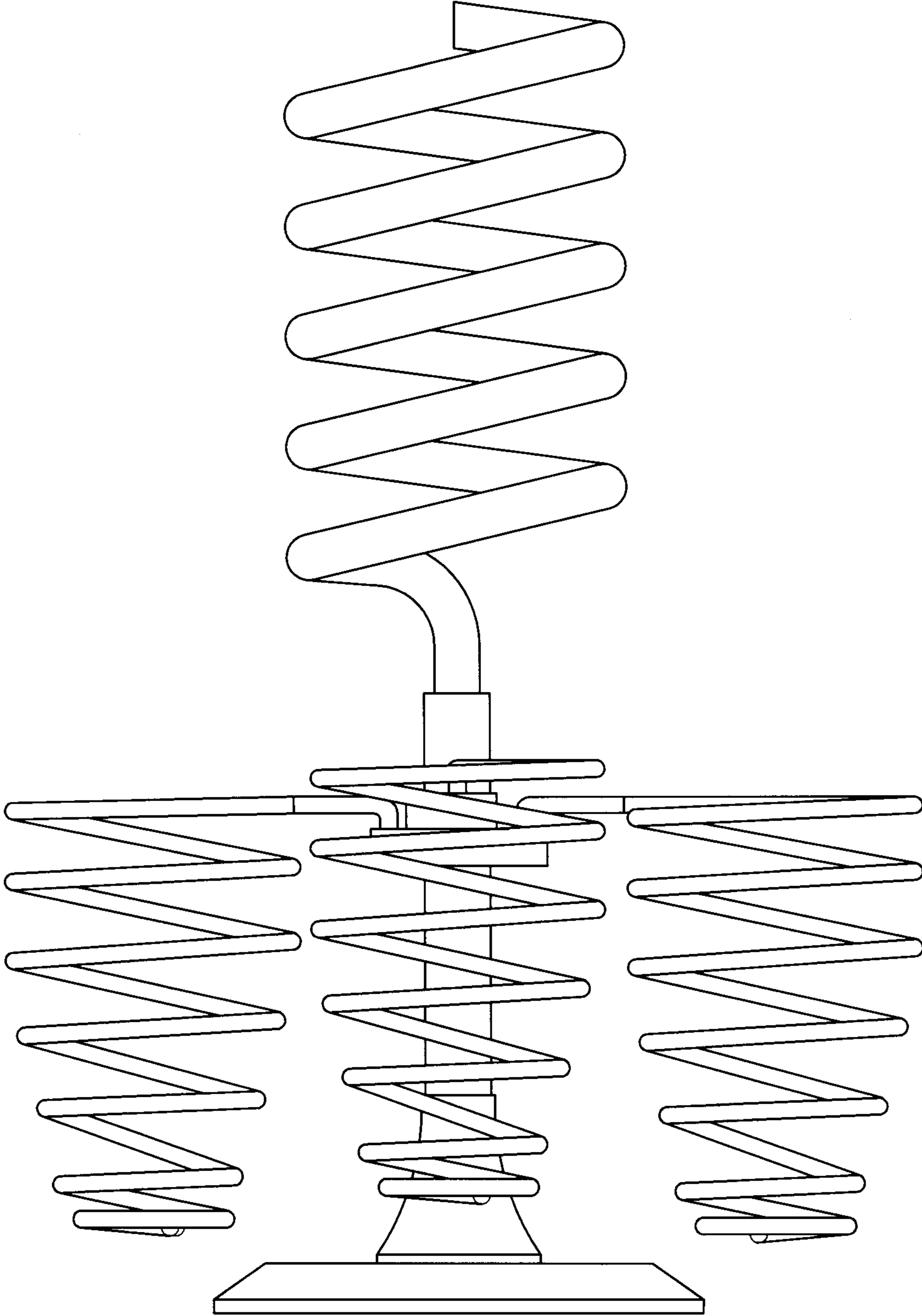


FIG. 7

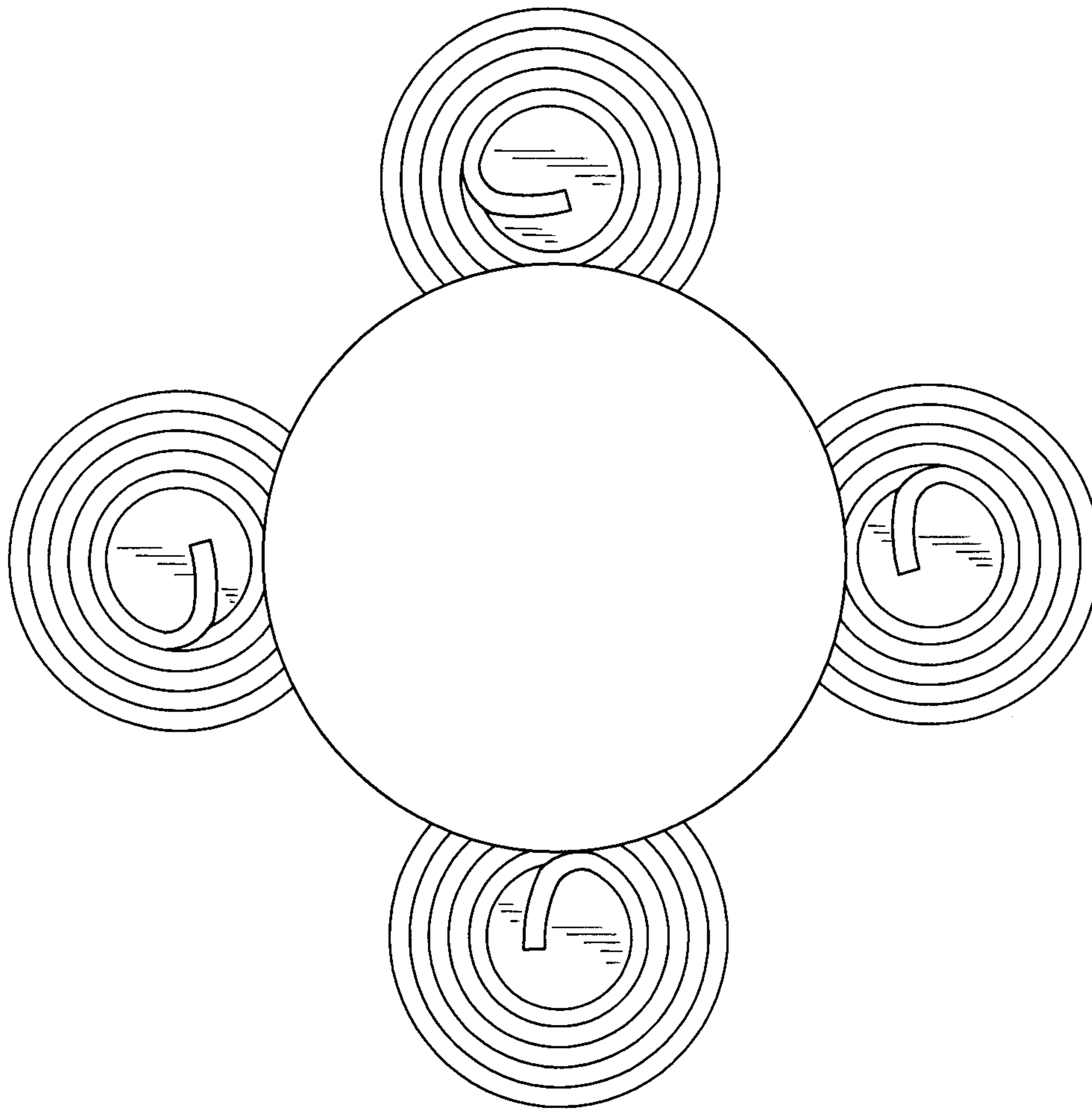


FIG.8