



US00D763510S

(12) **United States Design Patent**  
**Stebila et al.**

(10) **Patent No.:** **US D763,510 S**  
(45) **Date of Patent:** **\*\* Aug. 9, 2016**

- (54) **PORTION OF A DENTAL FLOSS DEVICE**
- (71) Applicant: **Ranir, LLC**, Grand Rapids, MI (US)
- (72) Inventors: **Jonathan M. Stebila**, Grand Rapids, MI (US); **Brett Huffman**, Grand Rapids, MI (US)
- (73) Assignee: **Ranir, LLC**, Grand Rapids, MI (US)
- (\*\*) Term: **14 Years**
- (21) Appl. No.: **29/514,774**
- (22) Filed: **Jan. 16, 2015**
- (51) **LOC (10) Cl.** ..... **28-03**
- (52) **U.S. Cl.**  
USPC ..... **D28/66**
- (58) **Field of Classification Search**  
USPC ..... D28/31, 56, 65-68, 73; D24/152;  
433/141, 146-147; 132/322-329  
CPC ..... A45D 24/10; A61C 15/00; A61C 15/04  
See application file for complete search history.

- 8,714,165 B2 \* 5/2014 Thomas ..... A46B 15/0055  
132/309
- 8,997,761 B1 \* 4/2015 Mitchell ..... A46B 15/0071  
132/309
- 2013/0220363 A1 \* 8/2013 Zarrabi ..... A46B 15/0055  
132/309

\* cited by examiner

*Primary Examiner* — Zenia Bennett  
(74) *Attorney, Agent, or Firm* — Warner Norcross & Judd LLP

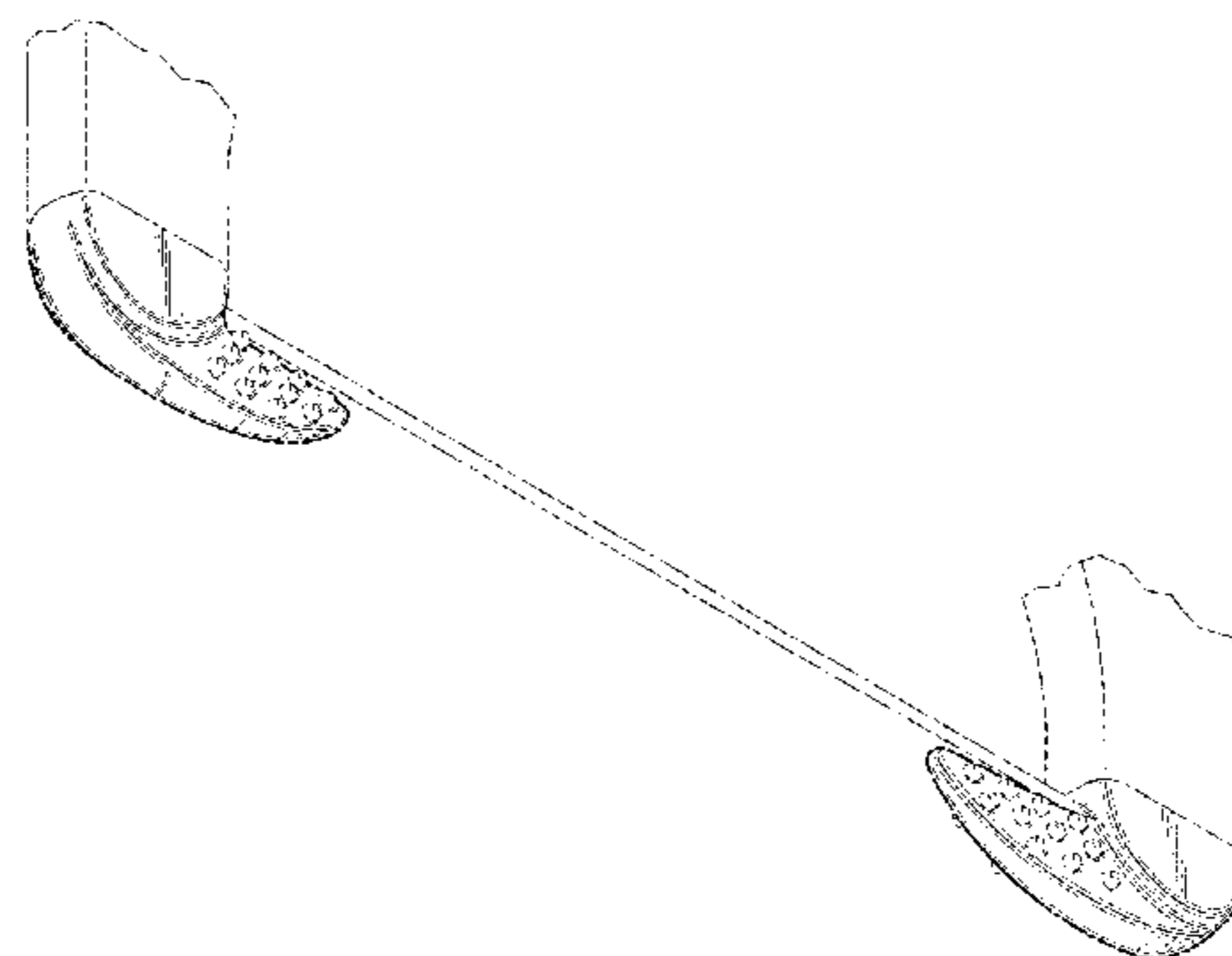
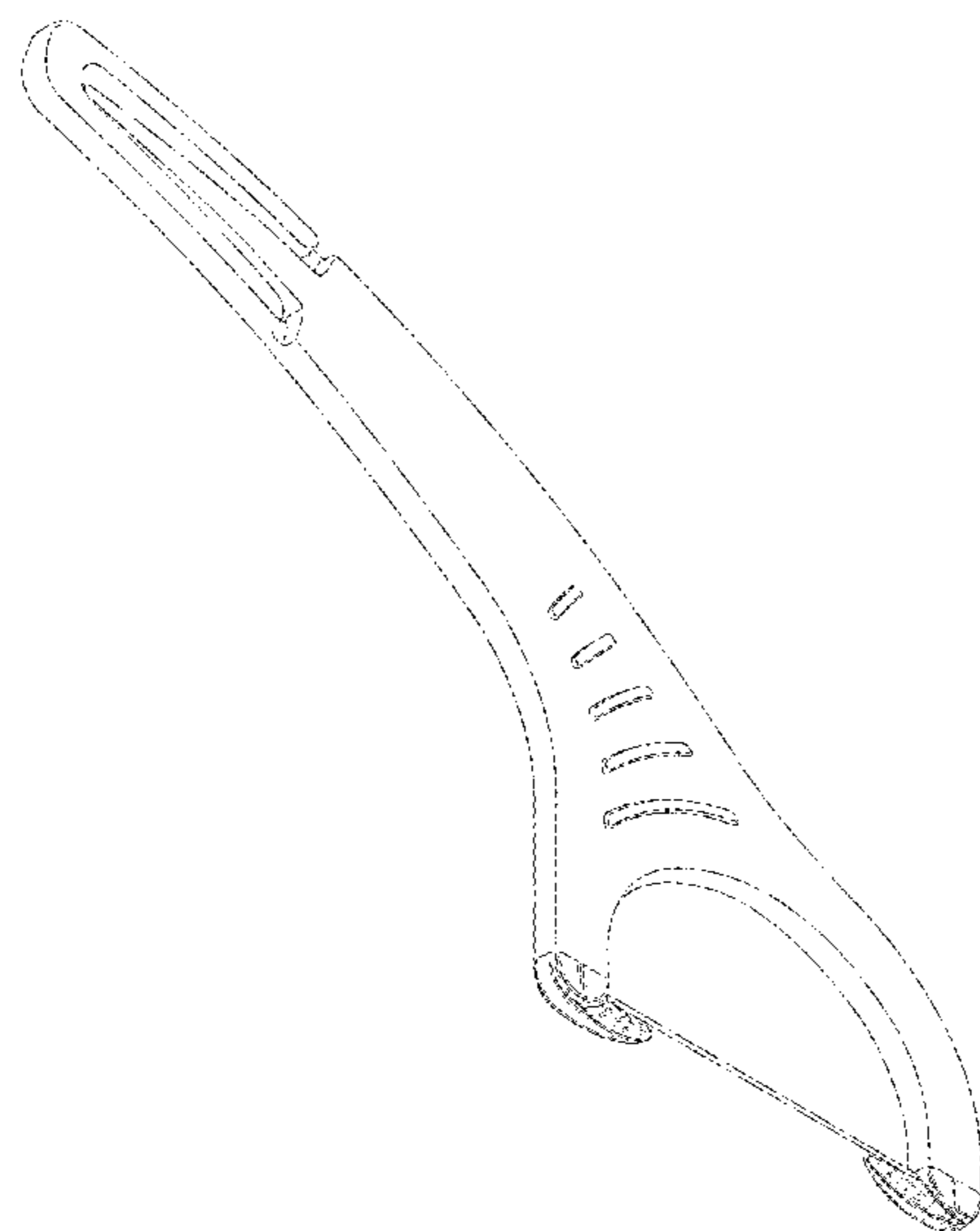
(57) **CLAIM**  
The ornamental design for a portion of a dental floss device, as shown and described.

**DESCRIPTION**

FIG. 1 is a perspective view of the portion of a dental floss device embodying the new design; FIG. 2 is a partial close-up perspective view thereof; FIG. 3 is a rear view thereof; FIG. 4 is a front view thereof; FIG. 5 is a left side view thereof; FIG. 6 is a right side view thereof; FIG. 7 is a bottom view thereof; and, FIG. 8 is a top view thereof. FIGS. 1-8 show portions of a dental floss device handle in broken lines, and FIGS. 1-4 and 7 show a plurality of dome shaped nubs within the claimed portion in phantom lines. The portions shown in phantom lines are for environmental purposes only and form no portion of the claimed design.

**1 Claim, 3 Drawing Sheets**

- (56) **References Cited**  
U.S. PATENT DOCUMENTS  
7,104,266 B2 \* 9/2006 Lee ..... A61C 15/046  
132/323  
D691,377 S \* 10/2013 Zarrabi ..... D28/68



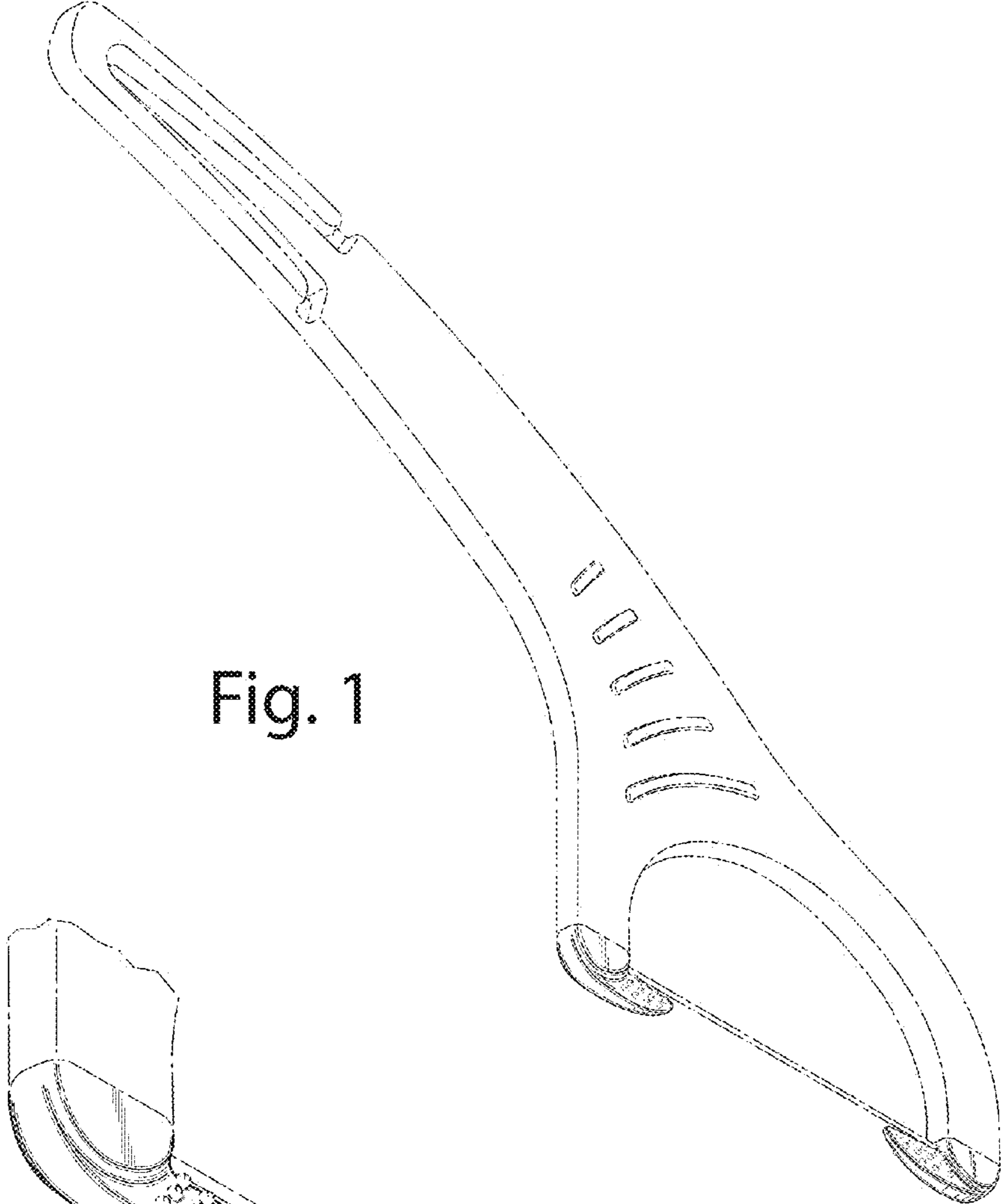


Fig. 1

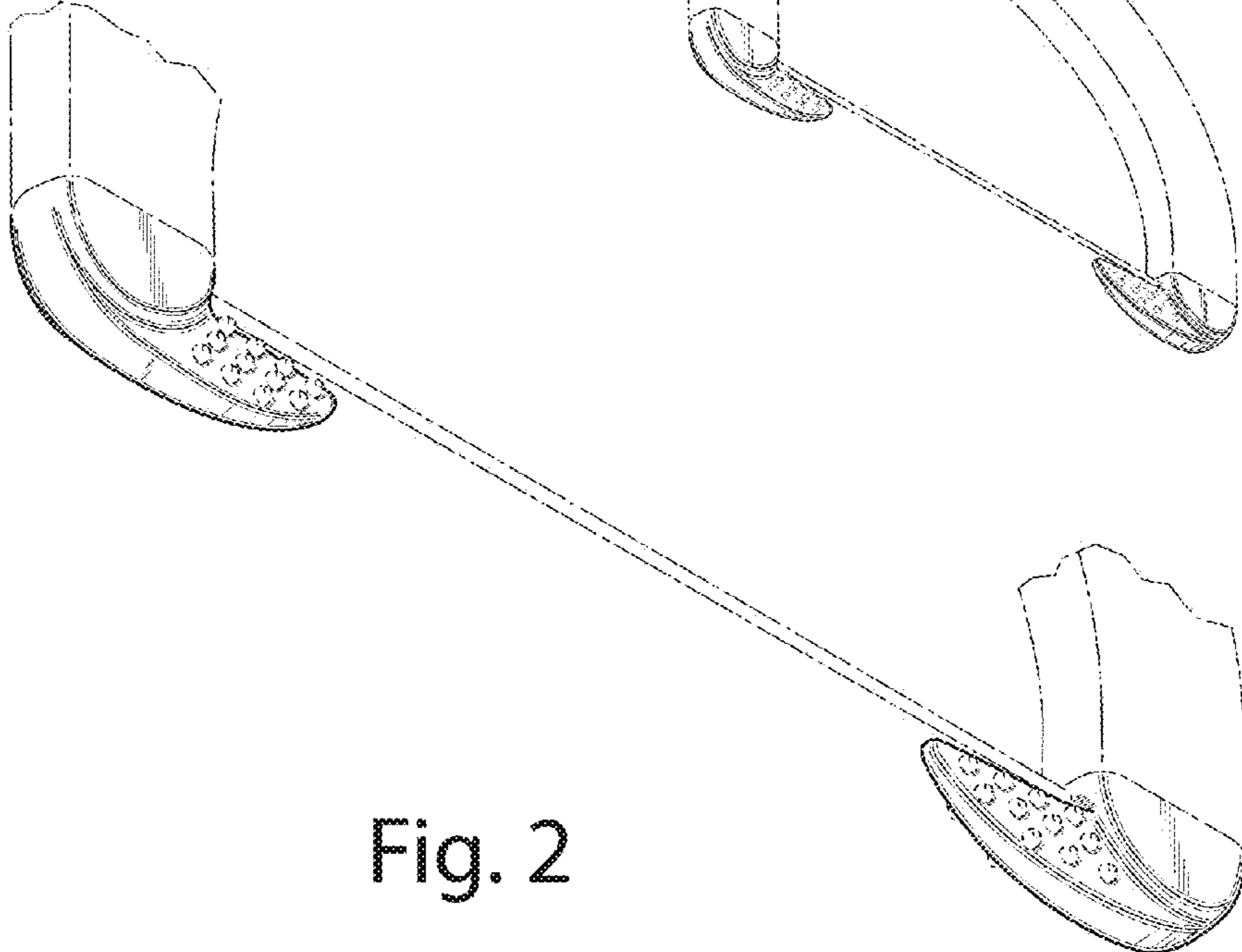


Fig. 2

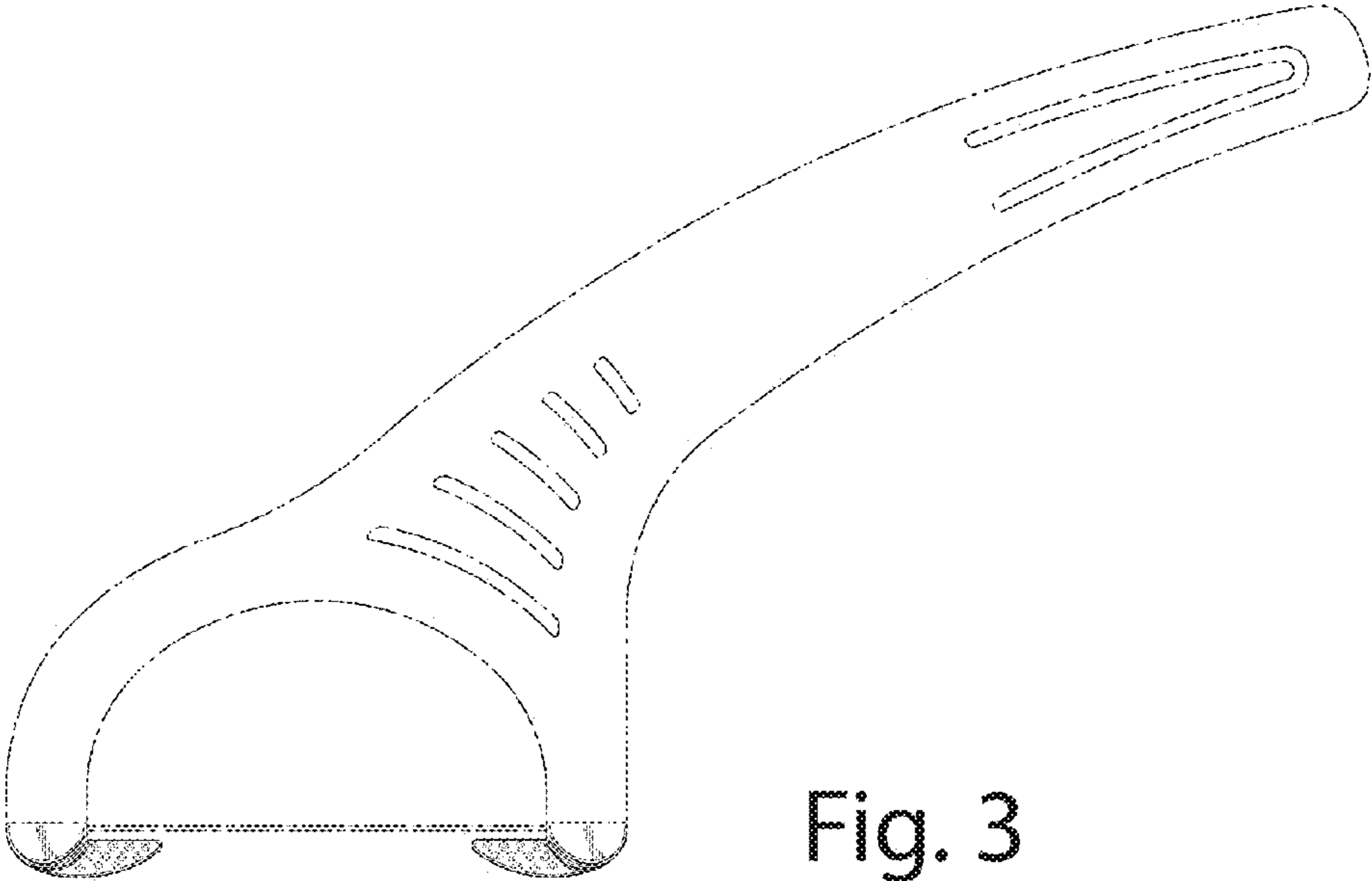


Fig. 3

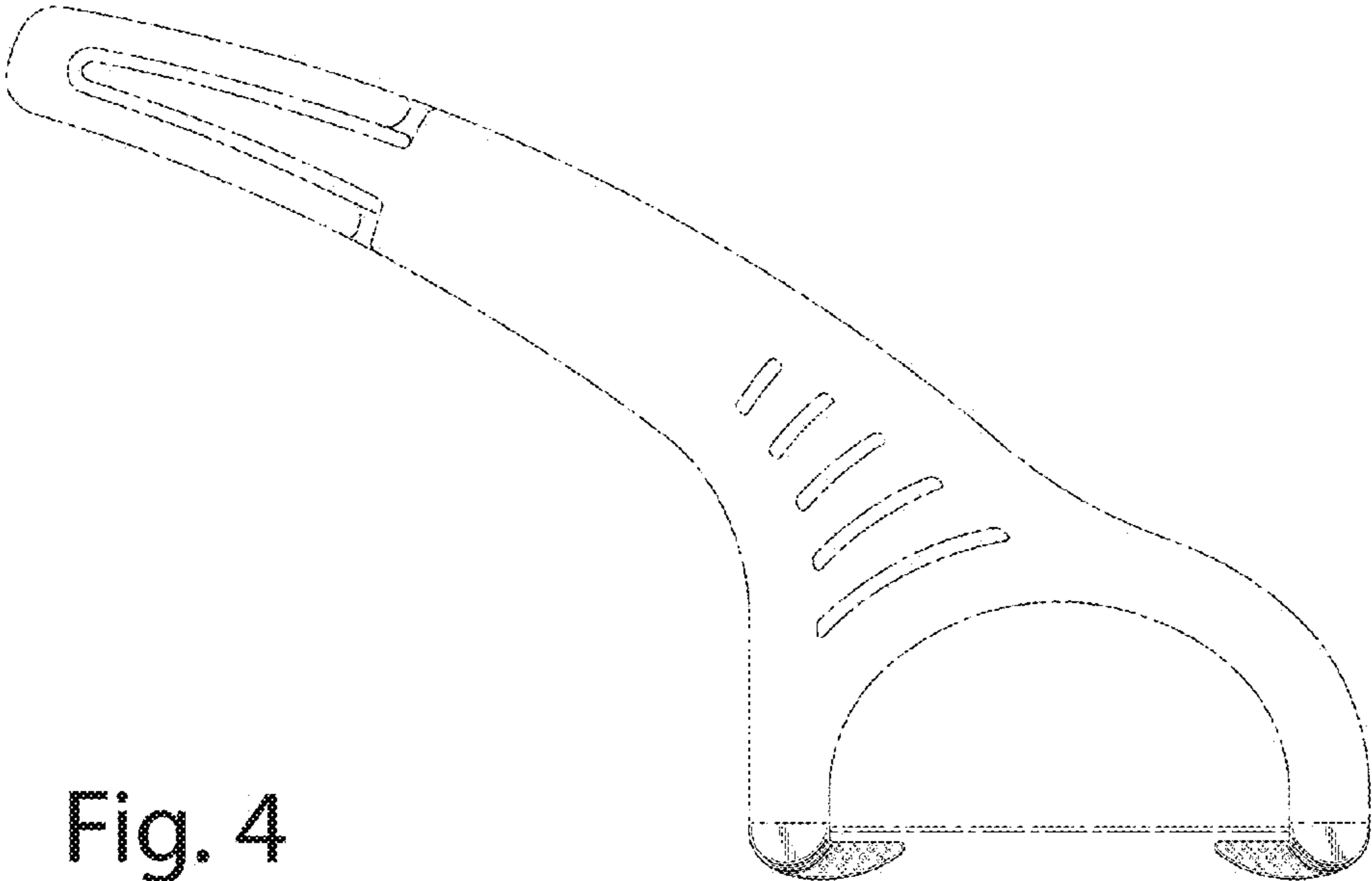


Fig. 4

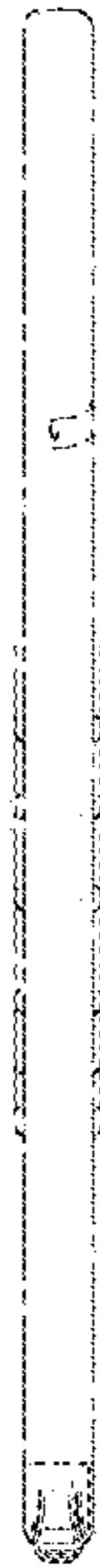


Fig. 5

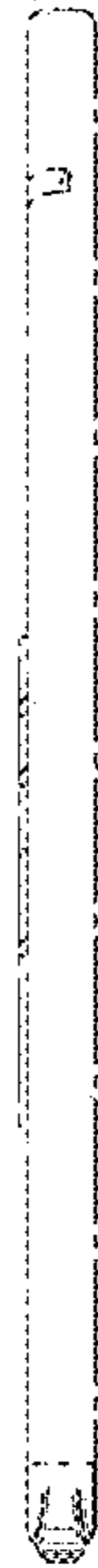


Fig. 6

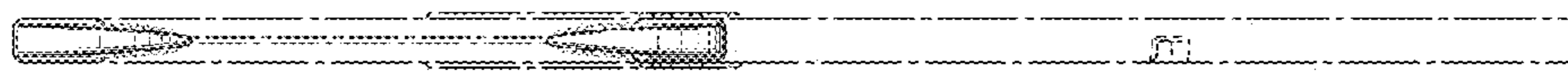


Fig. 7

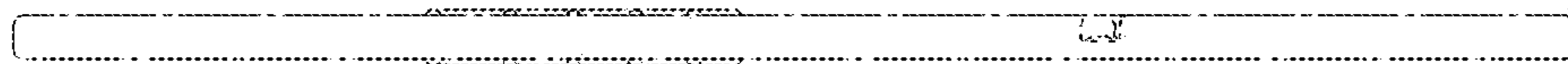


Fig. 8