



US00D763509S

(12) **United States Design Patent**
Teteak et al.

(10) **Patent No.:** **US D763,509 S**
(45) **Date of Patent:** **** Aug. 9, 2016**

- (54) **ELECTRONIC SHAVER**
- (71) Applicant: **Spectrum Brands, Inc.**, Middleton, WI (US)
- (72) Inventors: **Daniel Teteak**, Madison, WI (US);
David H. Roland, Golden, CO (US)
- (73) Assignee: **Spectrum Brands, Inc.**, Middleton, WI (US)
- (**) Term: **14 Years**
- (21) Appl. No.: **29/521,661**
- (22) Filed: **Mar. 25, 2015**
- (51) **LOC (10) Cl.** **28-03**
- (52) **U.S. Cl.**
USPC **D28/51**
- (58) **Field of Classification Search**
USPC D28/44, 44.1, 45, 49-54
CPC B26B 19/00-19/36; B26B 19/38;
B26B 19/3833; B26B 19/3853; B26B 19/384;
B26B 19/3846; B26B 19/386; B26B 19/3866;
B26B 19/3873; B26B 19/3886; B26B 19/40;
B26B 19/42
See application file for complete search history.

D621,097	S	*	8/2010	Nishizawa	D28/51
D621,545	S	*	8/2010	Nishizawa	D28/51
D632,434	S	*	2/2011	Maguire	D28/51
D668,387	S	*	10/2012	Grabes	D28/51
D677,836	S	*	3/2013	Grabes	D28/51
2008/0040928	A1	*	2/2008	Royle	B26B 19/10 30/43.92
2010/0180448	A1	*	7/2010	Sato	B26B 19/048 30/43.92

FOREIGN PATENT DOCUMENTS

CN	301295839	*	7/2010
CN	301532731	*	4/2011
JP	D1420854	*	8/2011
JP	D1504771	*	8/2014
WO	D075479-007	*	8/2013

* cited by examiner

Primary Examiner — Catherine Tuttle

(74) *Attorney, Agent, or Firm* — Banner & Witcoff, Ltd.

(57) **CLAIM**

The ornamental design for an electronic shaver, as shown and described.

DESCRIPTION

FIG. 1 is a front perspective view of an electronic shaver showing our new design;
 FIG. 2 is a front view thereof;
 FIG. 3 is a rear view thereof;
 FIG. 4 is a right side view thereof;
 FIG. 5 is a left side view thereof;
 FIG. 6 is top view thereof; and,
 FIG. 7 is a bottom view thereof.

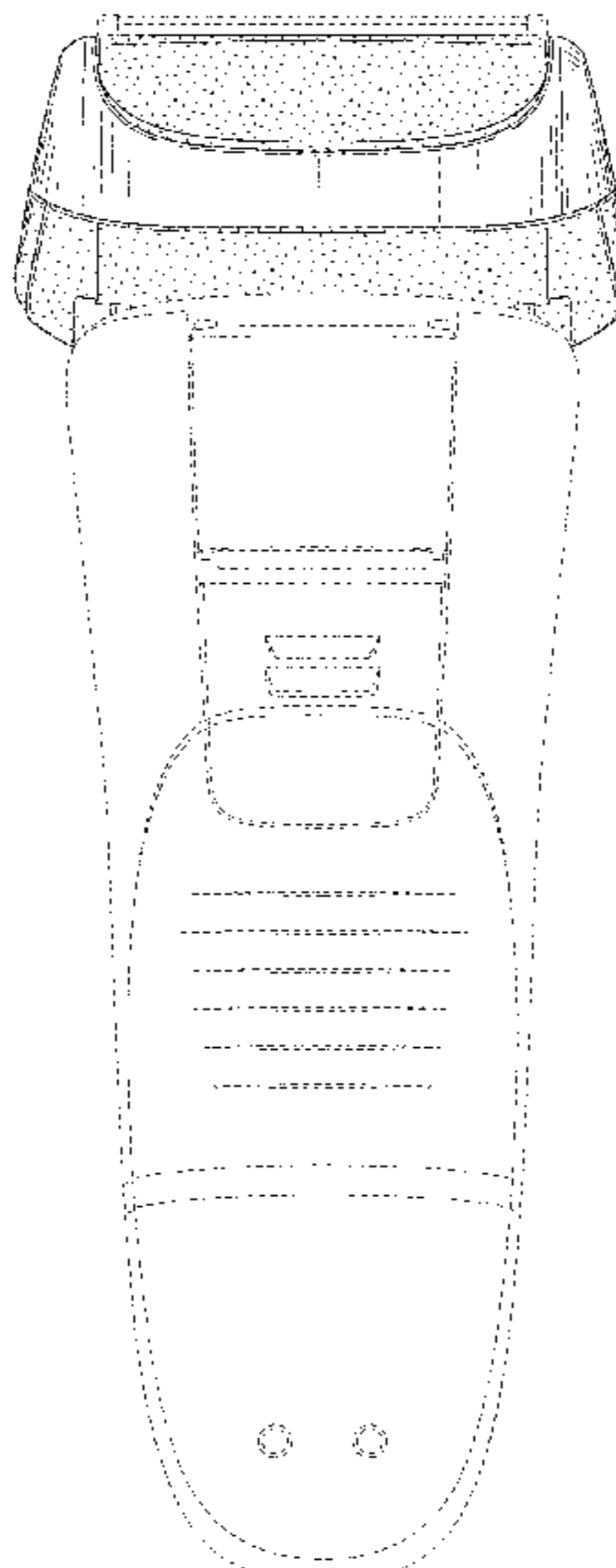
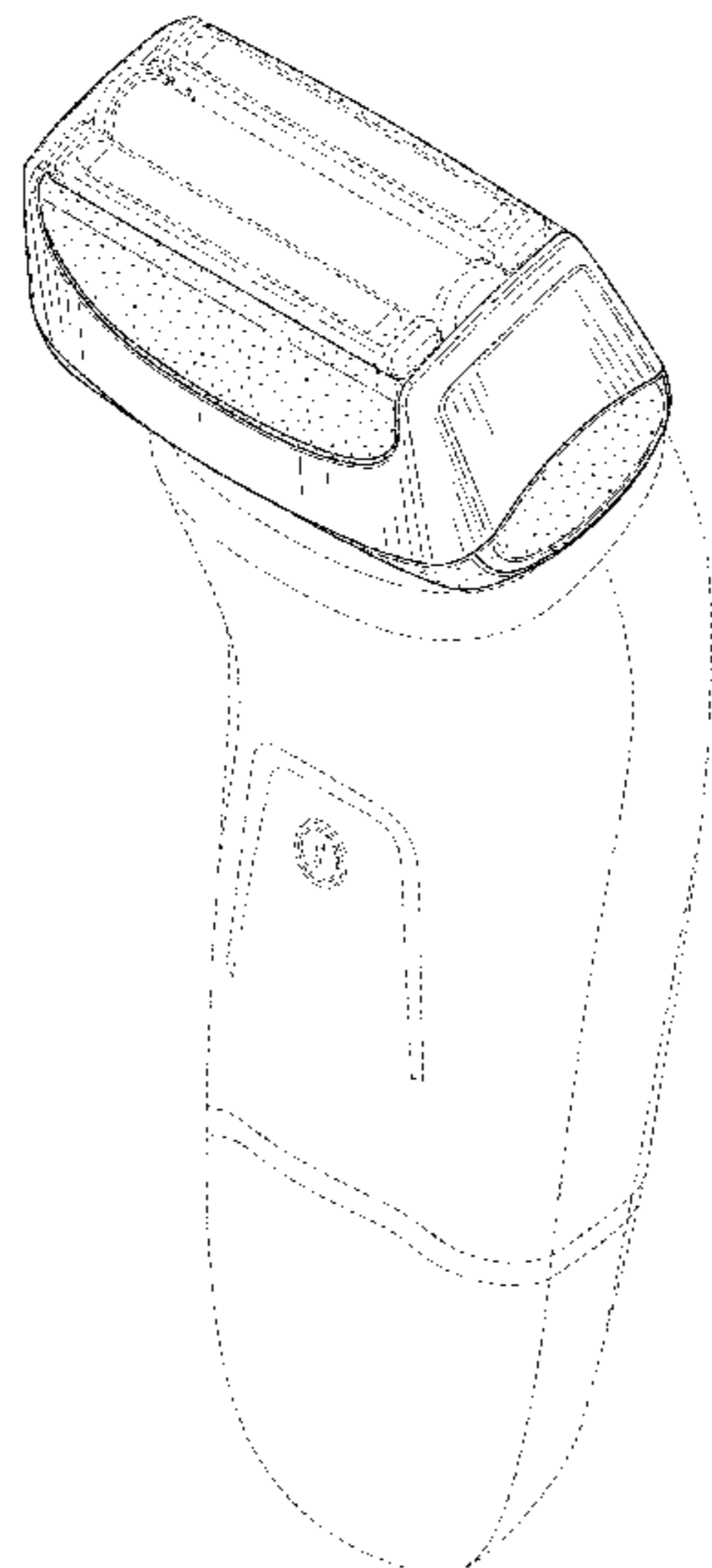
The stipple shading represents a surface contrast consonant with the visual appearance shown in the drawings. The broken lines are included for the purpose of illustrating the portions of the electronic shaver that form no part of the claimed design.

1 Claim, 6 Drawing Sheets

(56) **References Cited**

U.S. PATENT DOCUMENTS

5,611,145	A	*	3/1997	Wetzel	B26B 19/044 30/43.92
D419,723	S	*	1/2000	Ullmann	D28/49
D425,252	S	*	5/2000	Ullmann	D28/49
D495,091	S	*	8/2004	Ullmann	D28/49
D512,183	S	*	11/2005	Nagano	D28/51
D514,254	S	*	1/2006	Nishizawa	D28/49
D535,785	S	*	1/2007	Ullmann	D28/51
D539,979	S	*	4/2007	Ohta	D28/44.1
D551,801	S	*	9/2007	Ullmann	D28/51



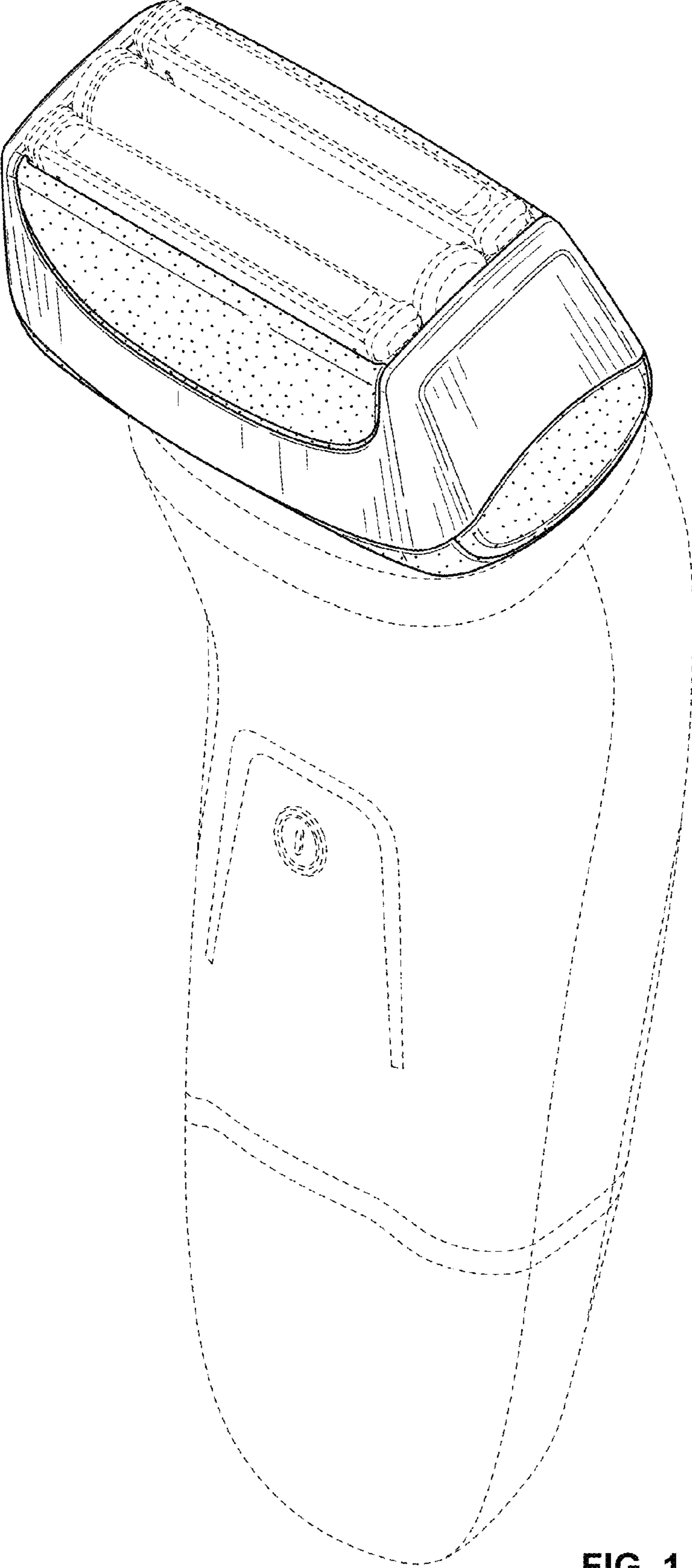


FIG. 1

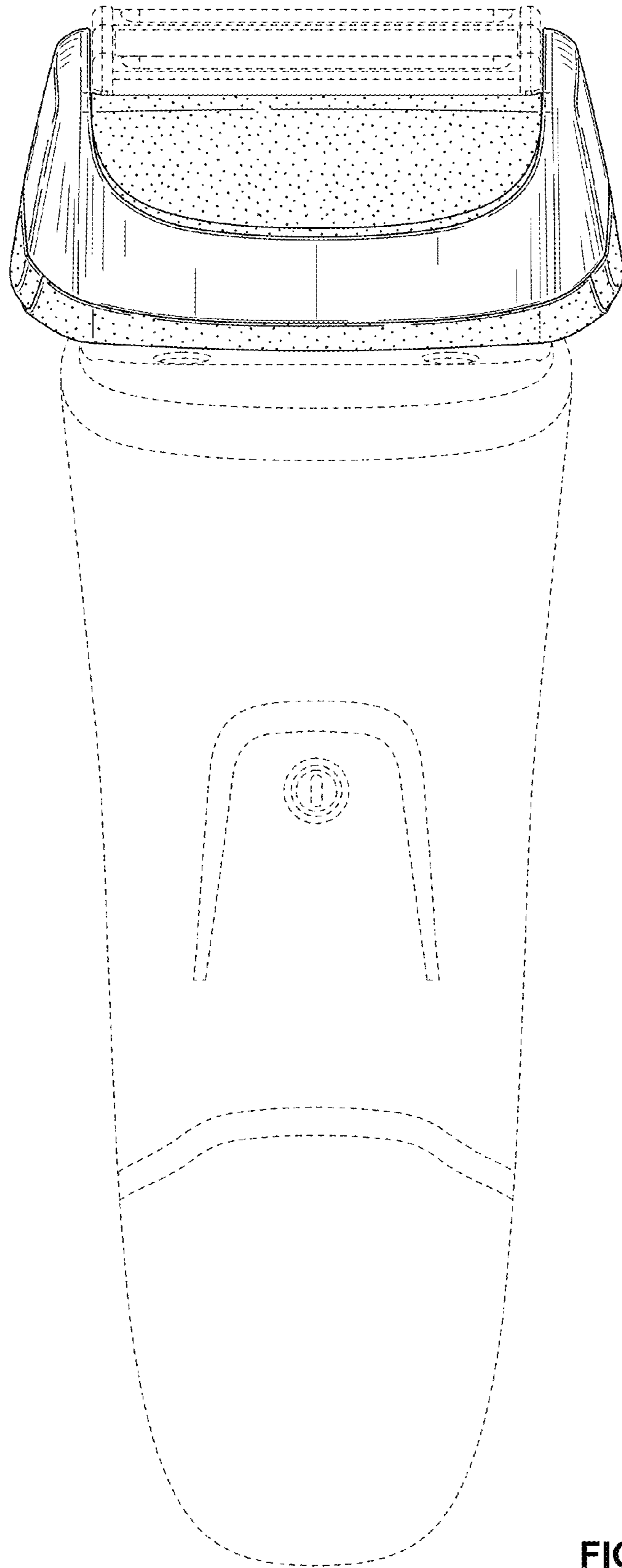


FIG. 2

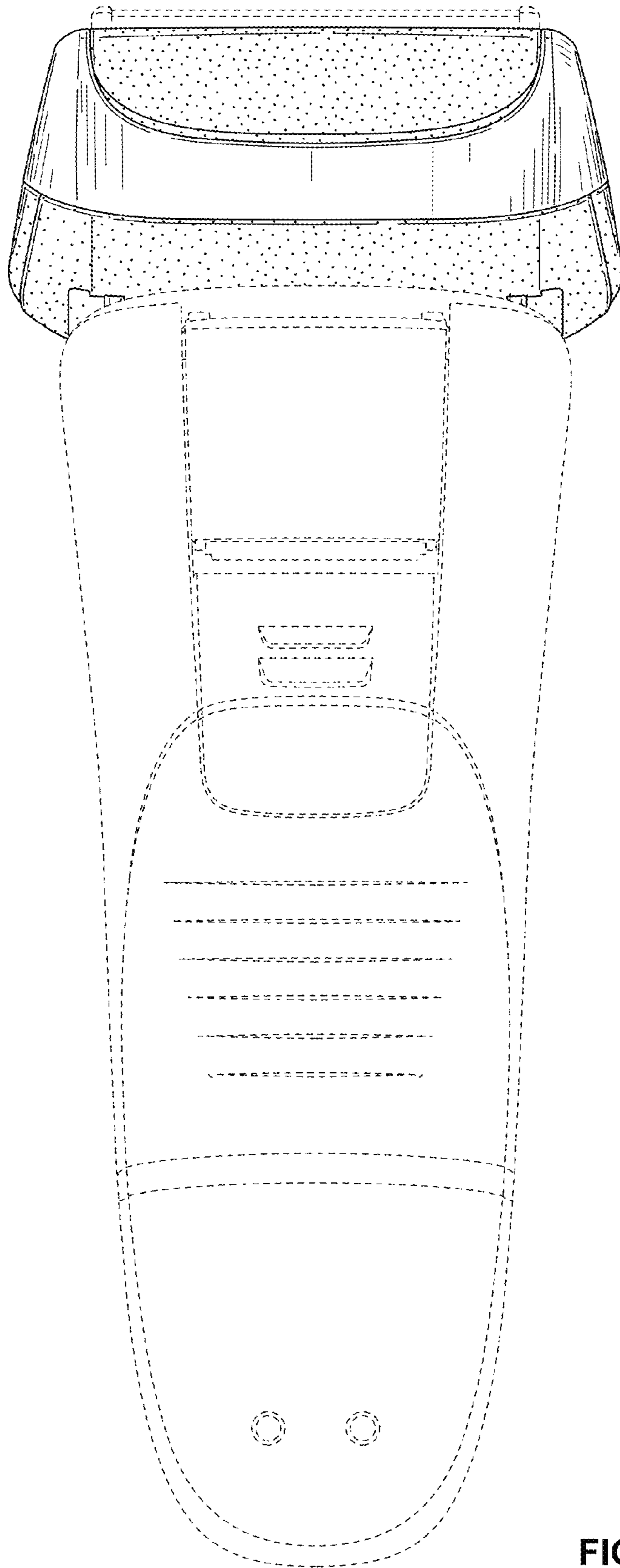


FIG. 3

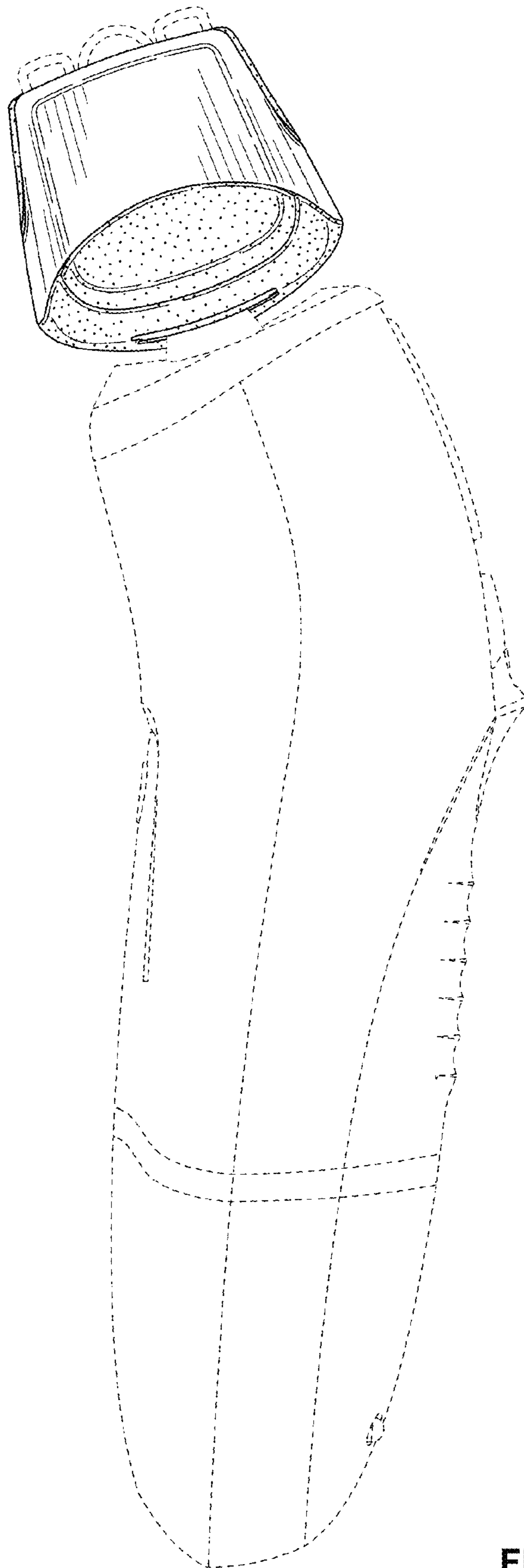


FIG. 4

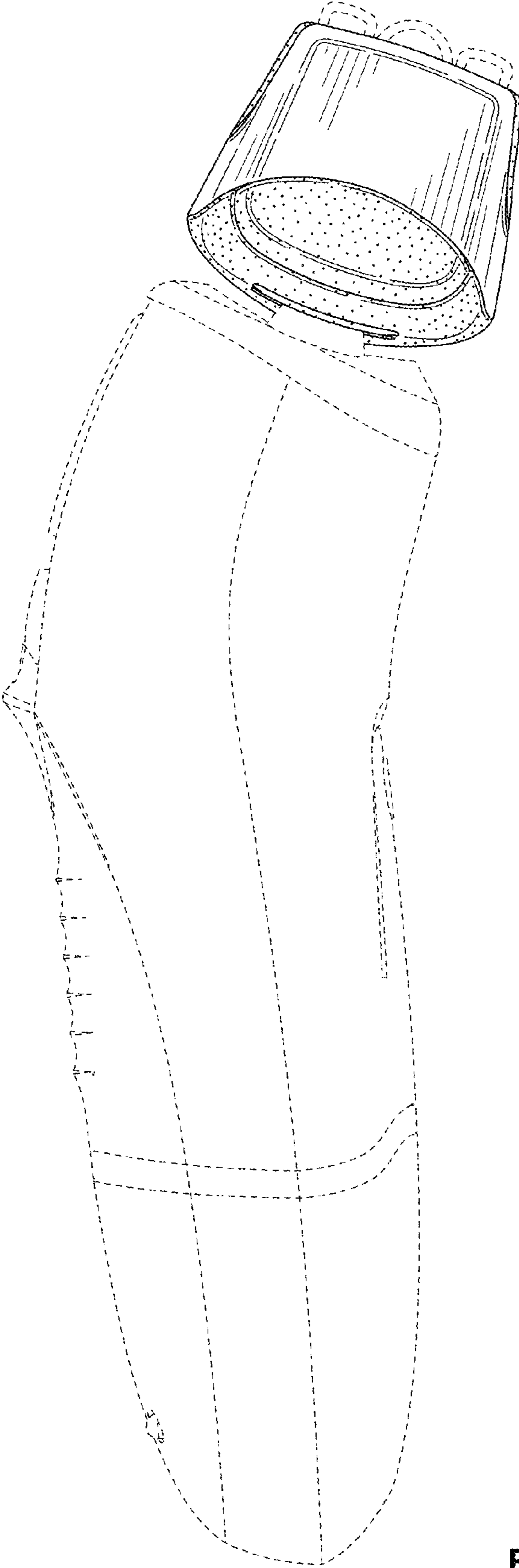


FIG. 5

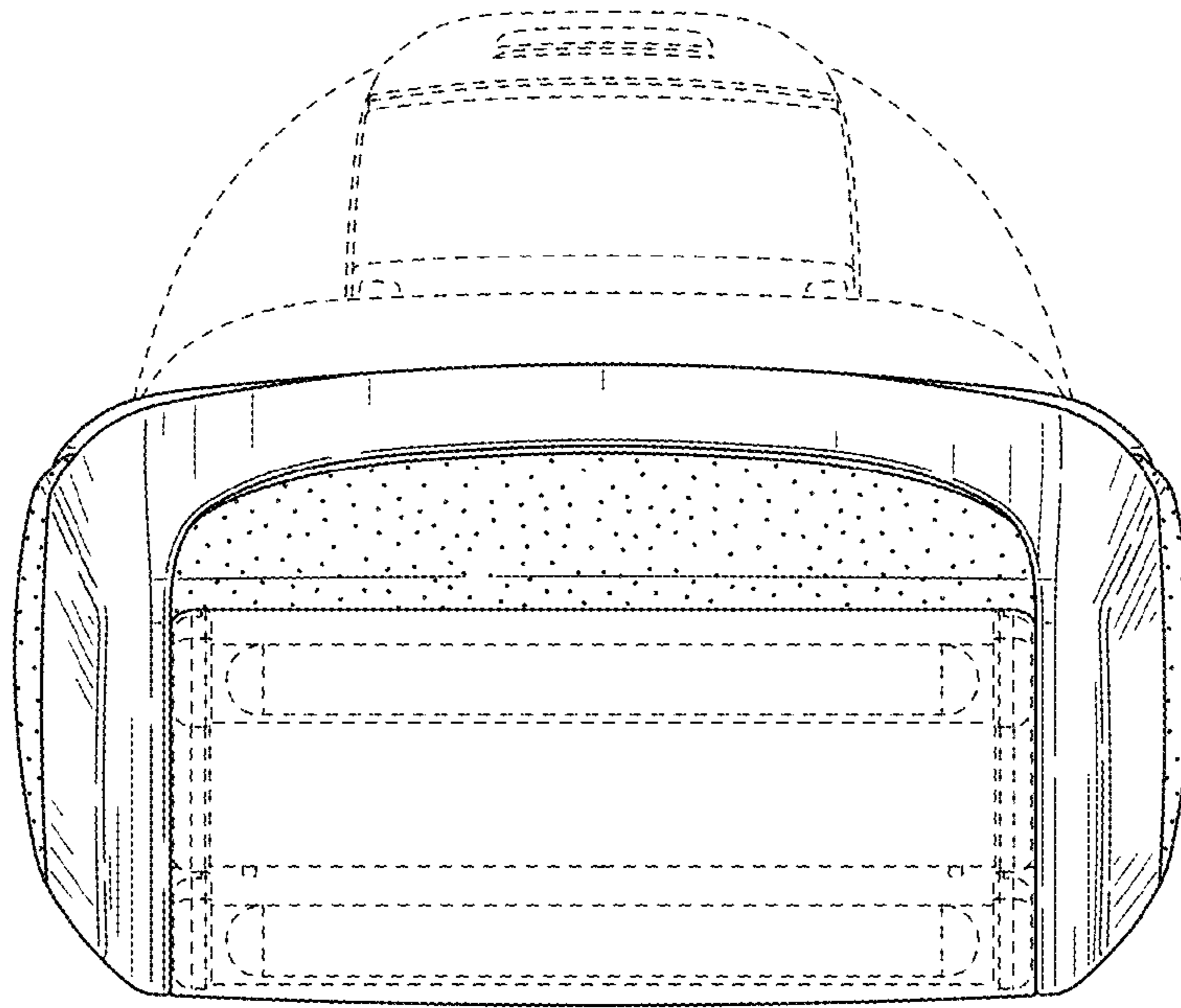


FIG. 6

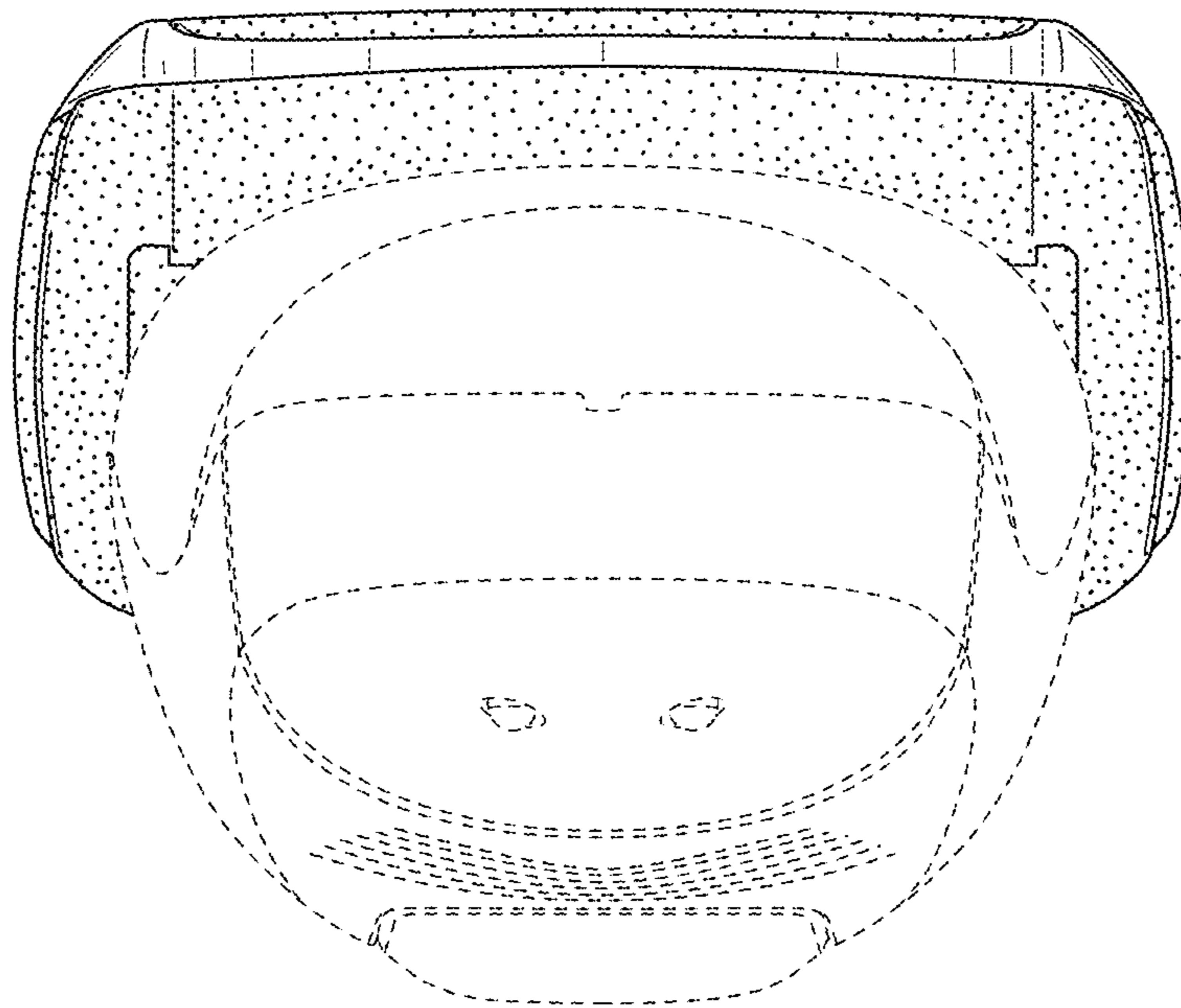


FIG. 7