

US00D763506S

(12) **United States Design Patent**
Barrett

(10) **Patent No.:** **US D763,506 S**
(45) **Date of Patent:** **** Aug. 9, 2016**

(54) **RAZOR**

(71) Applicant: **OneBlade, Inc.**, Coral Gables, FL (US)

(72) Inventor: **Tod Barrett**, Austin, TX (US)

(**) Term: **15 Years**

(21) Appl. No.: **29/559,802**

(22) Filed: **Mar. 31, 2016**

(56) **References Cited**

U.S. PATENT DOCUMENTS

2,156,559	A *	5/1939	Oldham	B26B 21/18 30/526
D312,861	S *	12/1990	Cerniglia	D28/46
D318,142	S *	7/1991	Falchi	D28/46
D342,807	S *	12/1993	Smith	D28/46
D353,020	S *	11/1994	Conti	D28/46
D612,540	S *	3/2010	Joslin	D28/48
2012/0325236	A1 *	12/2012	Macove	B26B 21/22 132/200
2015/0190937	A1 *	7/2015	Brormann	B26B 21/10 30/48

* cited by examiner

Primary Examiner — Jennifer Rivard

(74) *Attorney, Agent, or Firm* — Matthew E Burr

(57) **CLAIM**

I claim the ornamental design for a razor, as shown.

DESCRIPTION

FIG. 1 is a perspective view of the razor.

FIG. 2 is a front view thereof.

FIG. 3 is a rear view thereof.

FIG. 4 is a left side view thereof.

FIG. 5 is a right side view thereof.

FIG. 6 is a top plan view thereof; and,

FIG. 7 is a bottom plan view thereof.

1 Claim, 5 Drawing Sheets

Related U.S. Application Data

(63) Continuation-in-part of application No. 29/509,072, filed on Nov. 13, 2014, now abandoned.

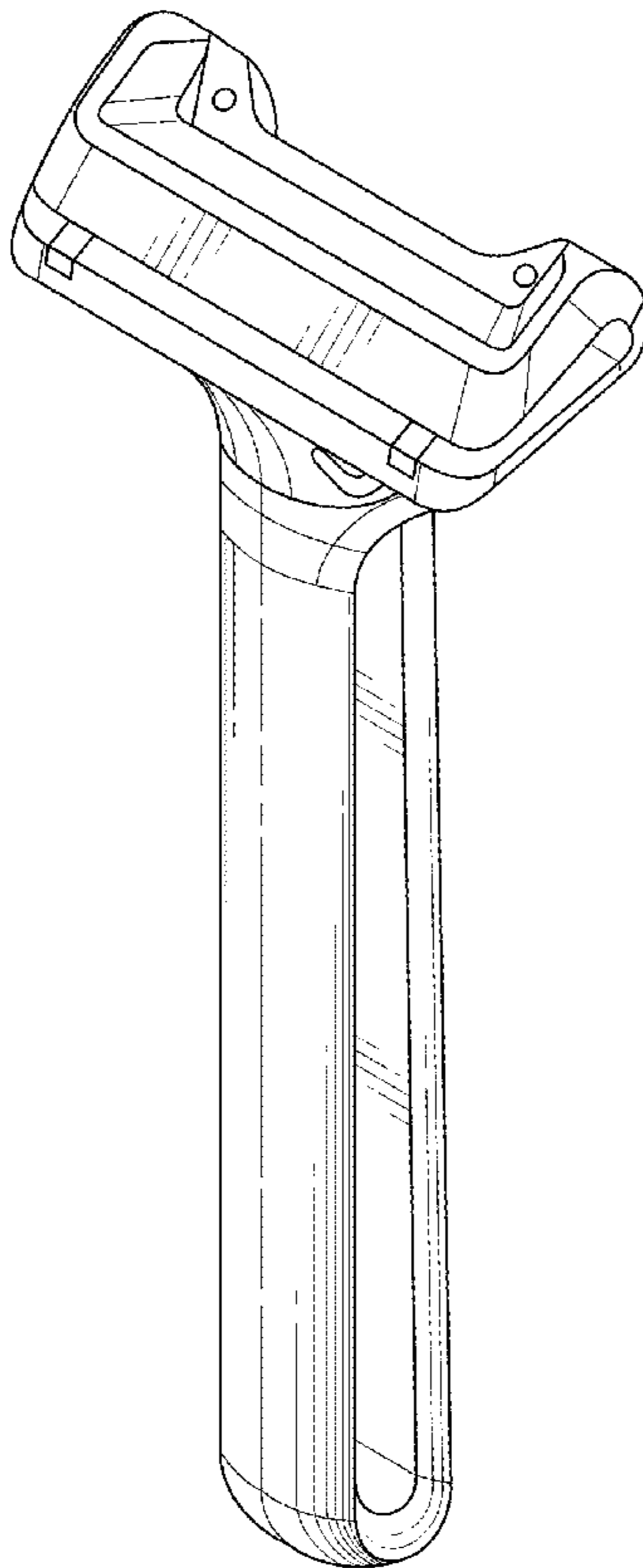
(51) **LOC (10) Cl.** **28-03**

(52) **U.S. Cl.**
USPC **D28/46**

(58) **Field of Classification Search**
USPC D28/46-48, 45

CPC B62B 21/00-21/12; B62B 21/14;
B62B 21/165; B62B 21/18; B62B 21/24;
B62B 21/30; B62B 21/32; B62B 21/40;
B62B 21/4062; B62B 21/4068; B62B
21/4075; B62B 21/52-21/528; B26B 21/16;
B26B 21/185; B26B 21/20-21/227; B26B
21/28; B26B 21/4012-21/4025; B26B
21/4081-21/4093; B26B 21/443

See application file for complete search history.



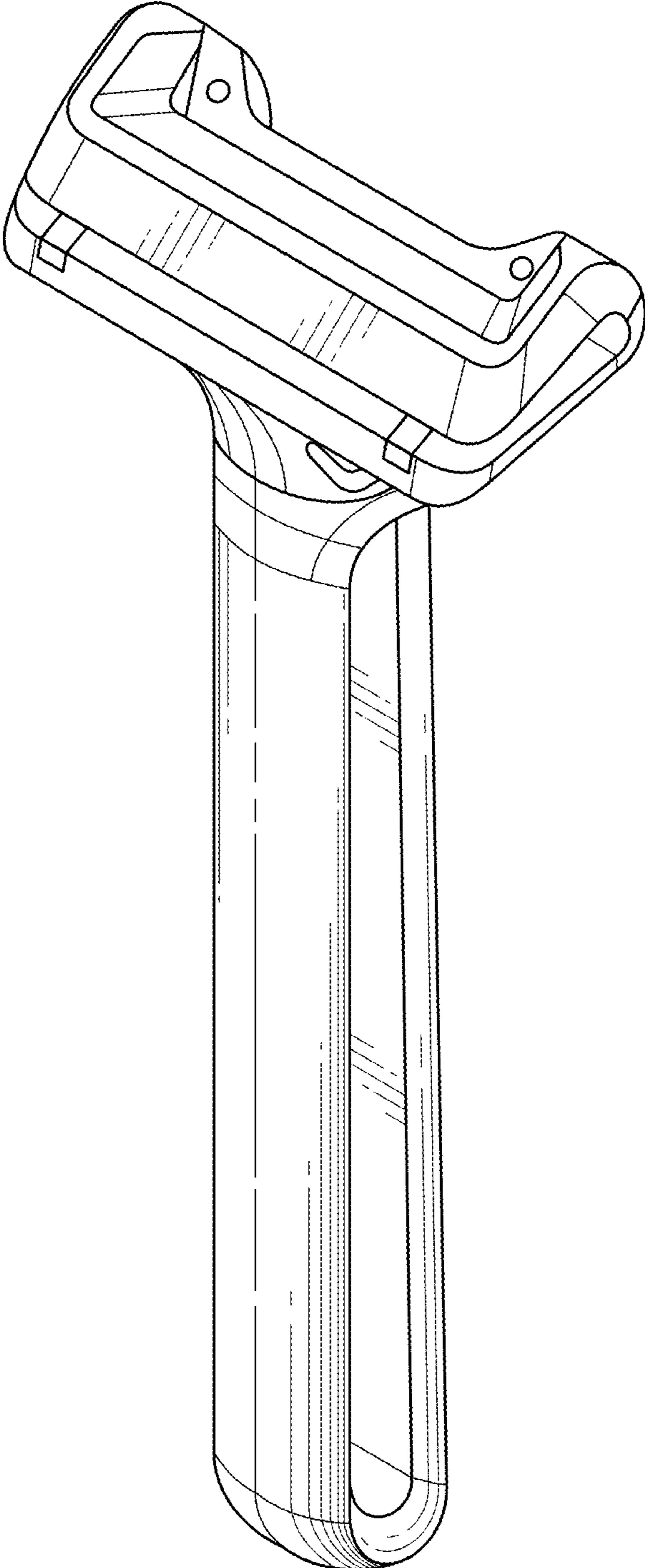


FIG. 1

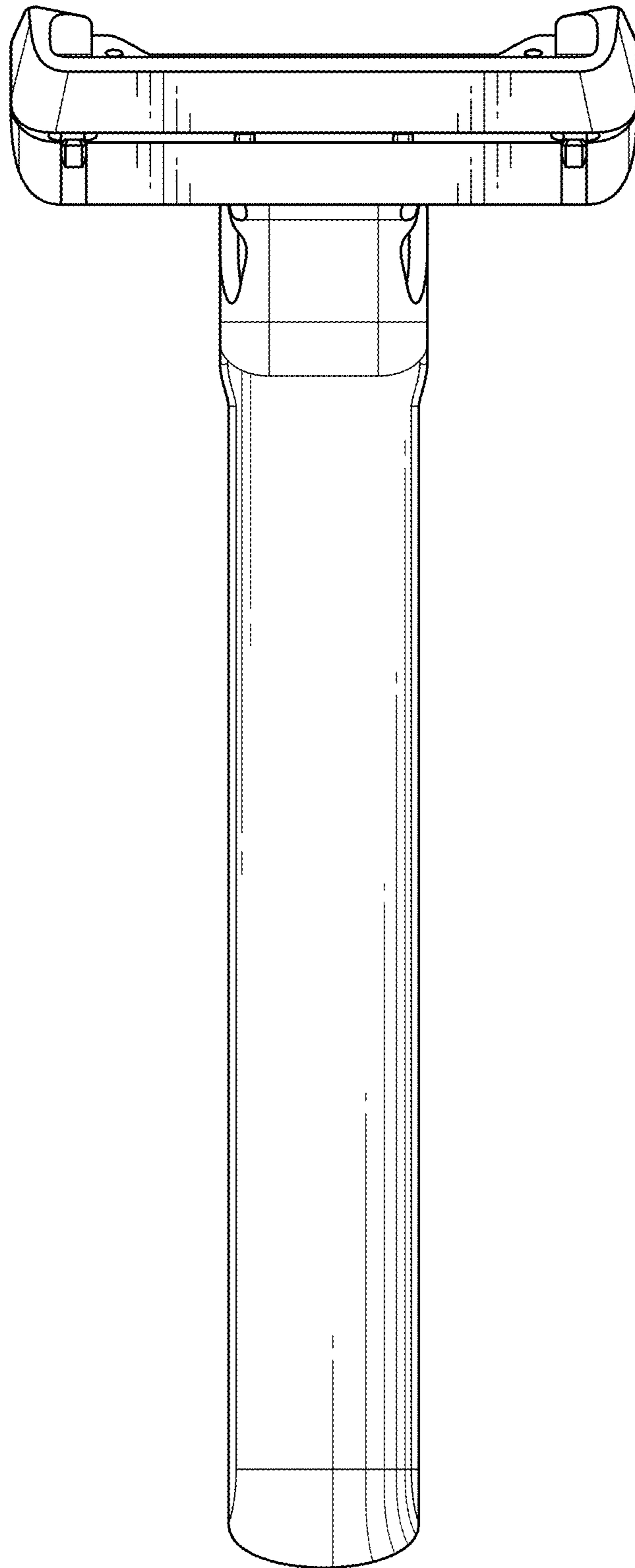


FIG. 2

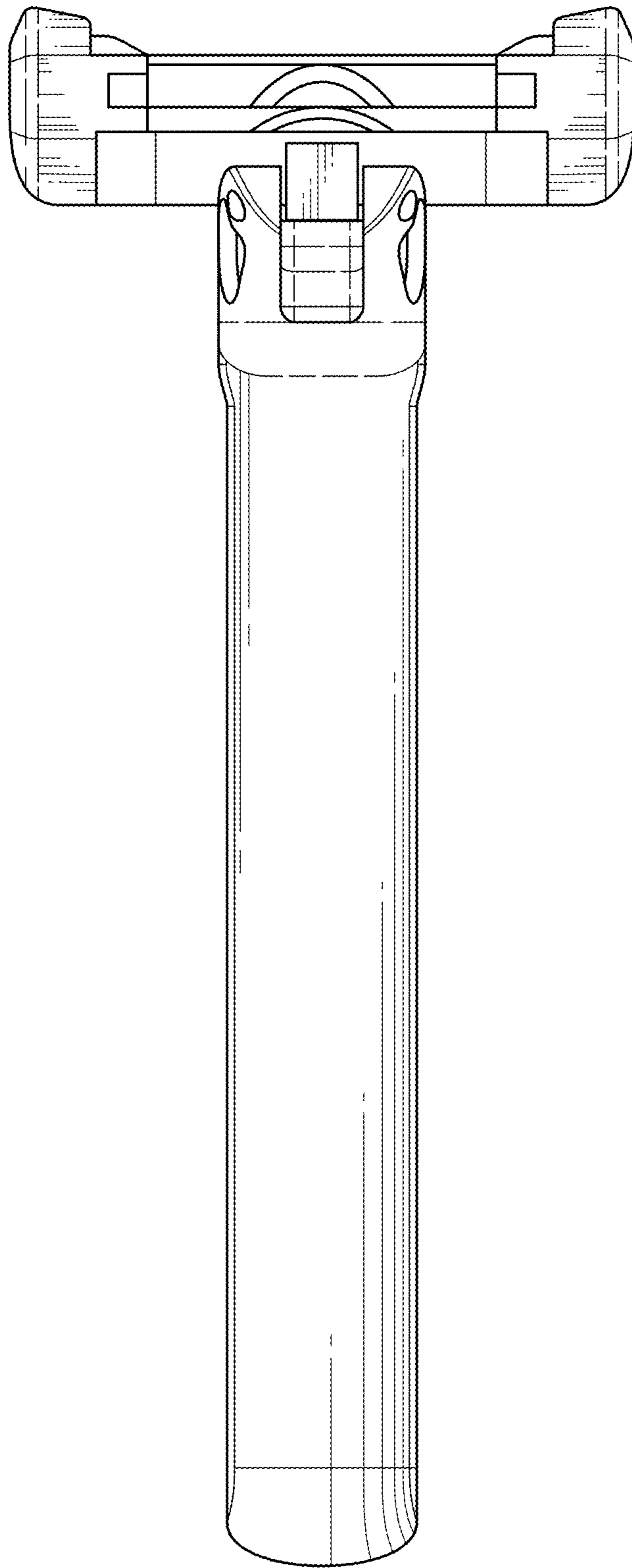


FIG. 3

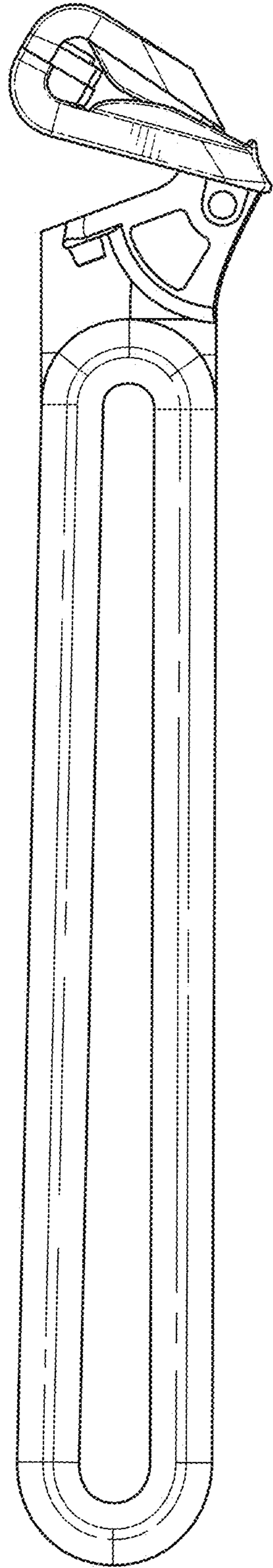


FIG. 4

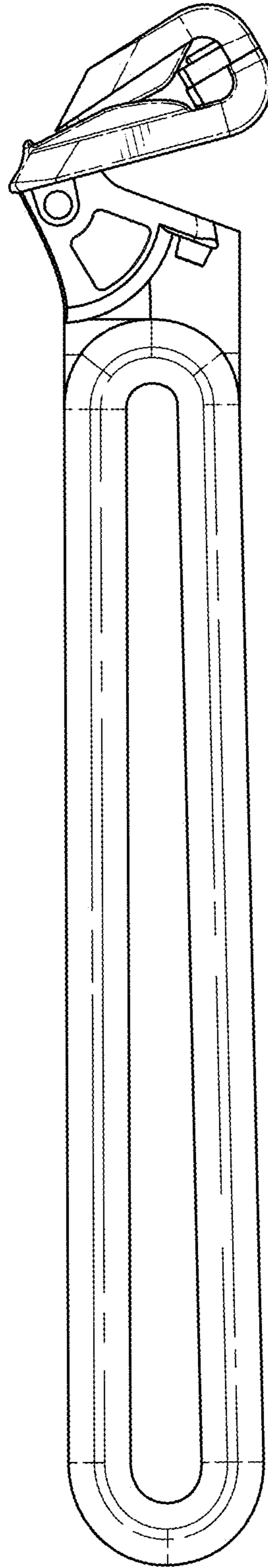


FIG. 5

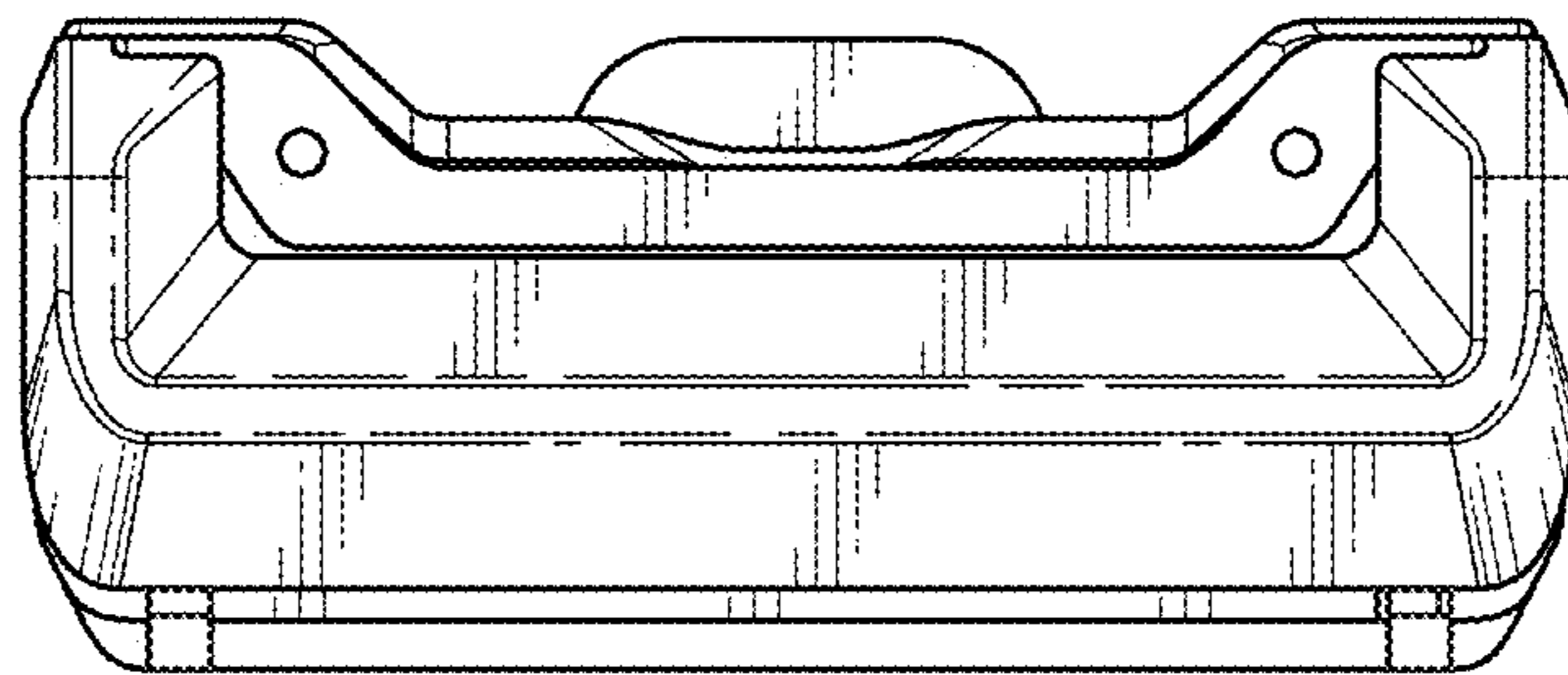


FIG. 6

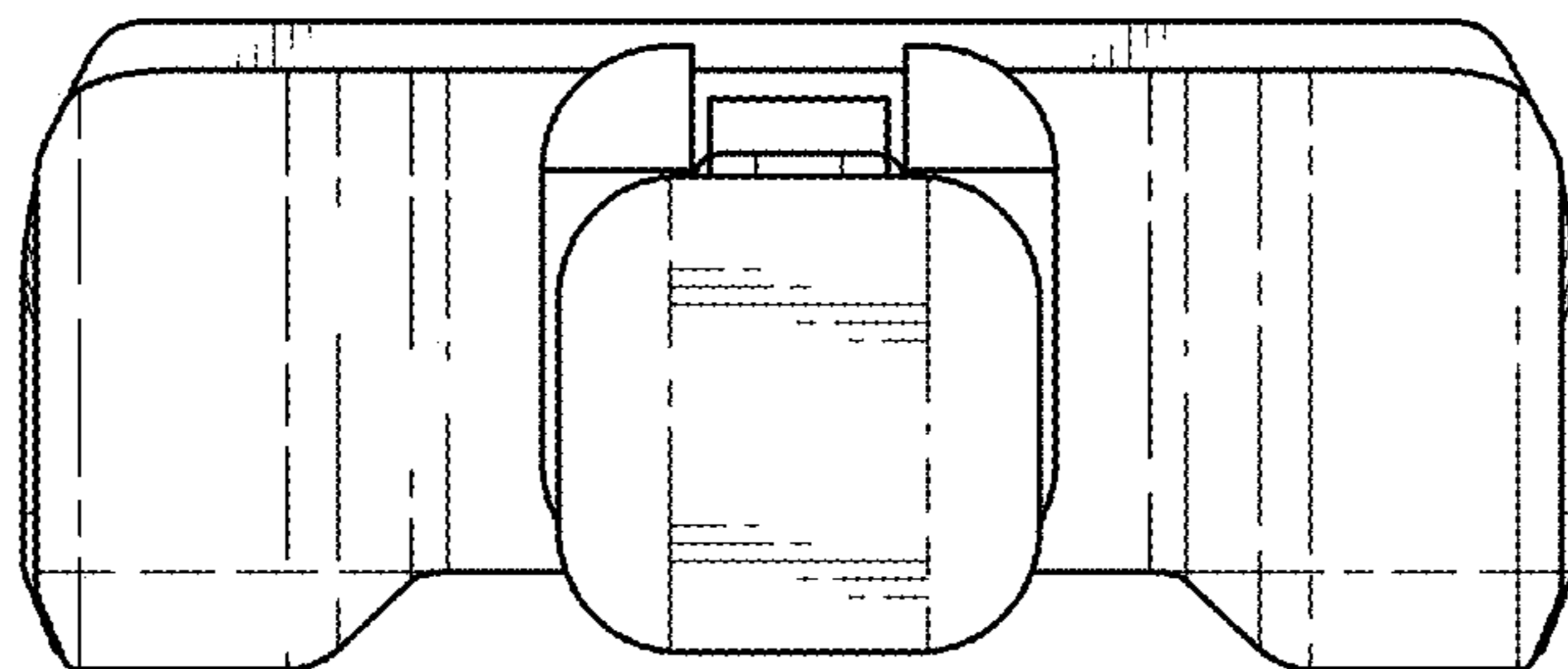


FIG. 7