



US00D763505S

(12) **United States Design Patent**
Grieshaber et al.

(10) **Patent No.:** **US D763,505 S**
(45) **Date of Patent:** **** Aug. 9, 2016**

(54) **EPILATOR**

2008/0301947 A1* 12/2008 Dorber A61B 17/54
30/34.05

(71) Applicant: **Braun GmbH**, Kronberg (DE)

(Continued)

(72) Inventors: **Frieder Grieshaber**, Neu-Anspach (DE); **Bjorn Kling**, Glashutten (DE); **Tarik Mehaddene**, Karben (DE); **Markus Halm**, Bad Homburg (DE); **Tobias Schwarz**, Schmitten (DE)

FOREIGN PATENT DOCUMENTS

DE WO 2010125533 A1 * 11/2010 A45D 26/0028
DE EP 2719298 A2 * 4/2014 A45D 26/0023
JP 5242812 B2 * 7/2013 A45D 26/0028

(73) Assignee: **Braun GmbH**, Kronberg (DE)

OTHER PUBLICATIONS

(**) Term: **14 Years**

European Community Design, publication date Dec. 18, 2009, Koninklijke Philips, 3 pages.

(21) Appl. No.: **29/483,745**

(22) Filed: **Mar. 3, 2014**

(30) **Foreign Application Priority Data**

Sep. 19, 2013 (WO) 762889601

Primary Examiner — Jennifer Rivard

(51) **LOC (10) Cl.** **28-03**

(74) *Attorney, Agent, or Firm* — Ronald Terk Sia; Kevin C. Johnson; Steven W. Miller

(52) **U.S. Cl.**

USPC **D28/44.1**

(57) **CLAIM**

The ornamental design for an epilator, as shown and described.

(58) **Field of Classification Search**

USPC D28/44, 44.1, 49, 51, 53, 58, 59

CPC B26B 19/00–19/107; A45D

2026/008–2026/0095; A45D

26/0042–26/0052; A45D 26/0057; A45D

26/0061; A45D 26/0004; A45D 26/0023;

A45D 26/0028; A45D 26/0033; A45D

26/0038; A45D 2200/1054; A61B 17/54

See application file for complete search history.

DESCRIPTION

FIG. 1 is a perspective view of the first embodiment of an epilator;

FIG. 2 is a front view thereof;

FIG. 3 is a left side view thereof;

FIG. 4 is a rear view thereof;

FIG. 5 is a right side view thereof;

FIG. 6 is a top plan view thereof;

FIG. 7 is a bottom view thereof

FIG. 8 is a perspective view of the second embodiment of an epilator;

FIG. 9 is a front view thereof;

FIG. 10 is a left view thereof;

FIG. 11 is a rear view thereof;

FIG. 12 is a right side view thereof;

FIG. 13 is a top plan view thereof; and,

FIG. 14 is a bottom view thereof.

The broken lines illustrate portions of the epilator and form no part of the claimed design.

(56) **References Cited**

U.S. PATENT DOCUMENTS

6,520,970 B1 * 2/2003 Sanchez-Martinez A45D 26/0061

606/131

6,740,097 B1 * 5/2004 Sanchez-Martinez A45D 26/0061

606/133

D567,441 S 4/2008 Kling et al.

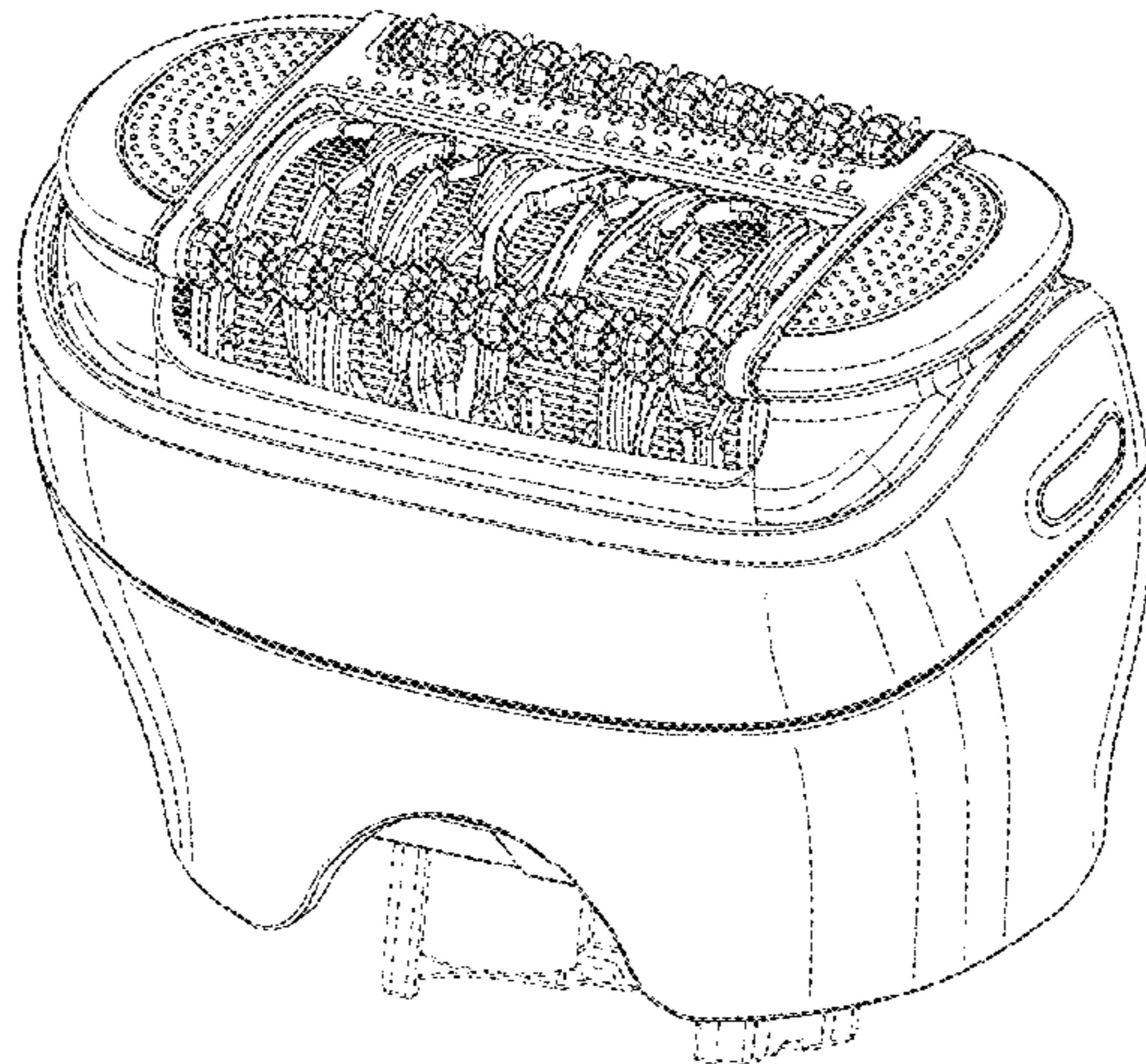
8,574,242 B2 * 11/2013 Pfeiffer A45D 26/0028

606/133

2008/0216320 A1 * 9/2008 Royle B26B 19/042

30/34.1

1 Claim, 5 Drawing Sheets



US D763,505 S

Page 2

(56)

References Cited

U.S. PATENT DOCUMENTS

| | | | | | | | | | |
|--------------|------|---------|------------------|-------------------------|--------------|------|---------|----------------------------|-------------------------|
| 2009/0172948 | A1 * | 7/2009 | Kitamura | A45D 27/46 30/41.6 | 2010/0331795 | A1 * | 12/2010 | Jung | A45D 26/0061 604/290 |
| 2010/0274261 | A1 * | 10/2010 | Grieshaber | A45D 26/0028 606/133 | 2012/0022555 | A1 * | 1/2012 | Sanchez- Martinez | A45D 26/0028 606/133 |
| | | | | | 2014/0107670 | A1 * | 4/2014 | Grieshaber | A45D 26/0023 606/133 |

* cited by examiner

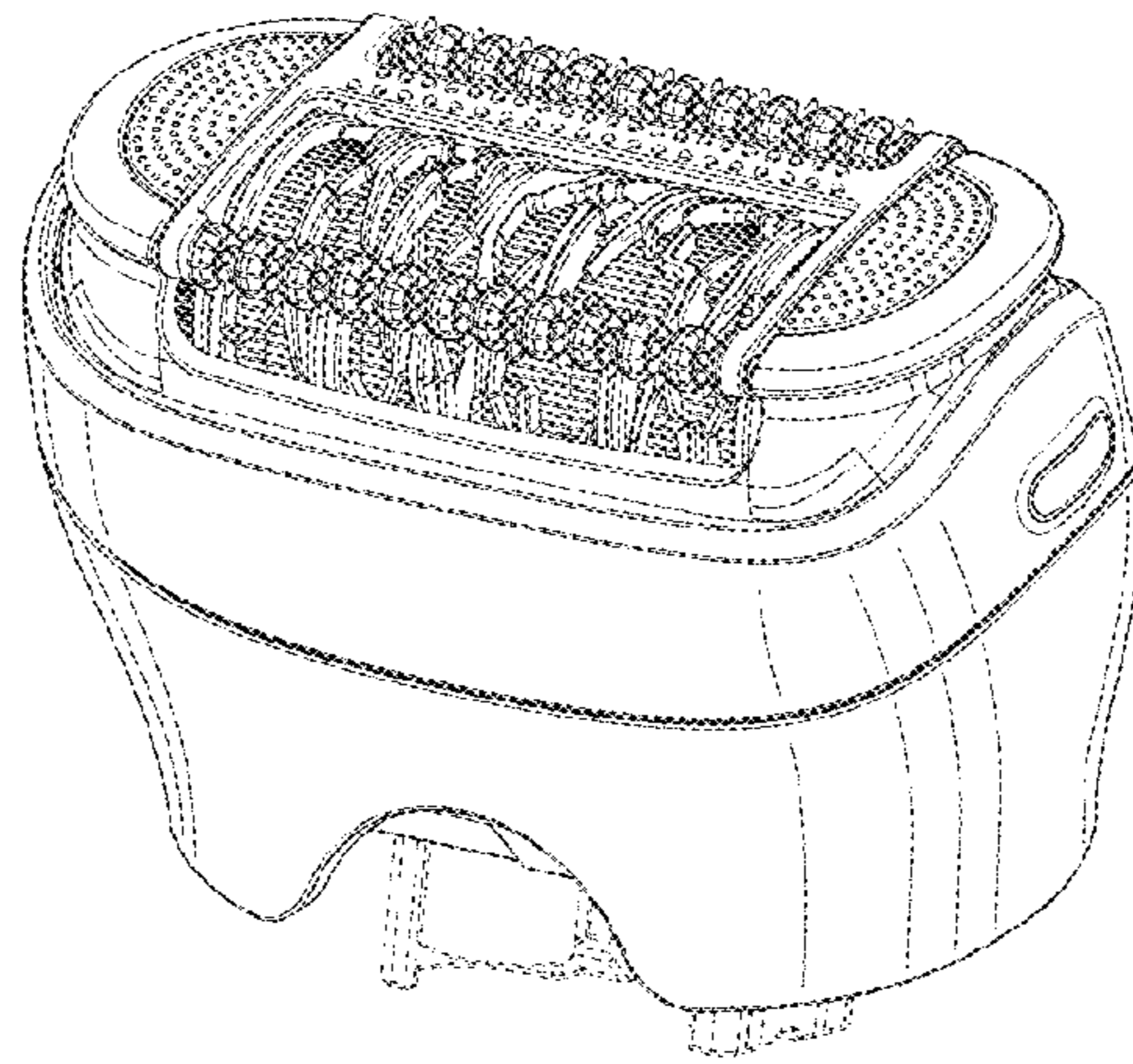


Fig. 1

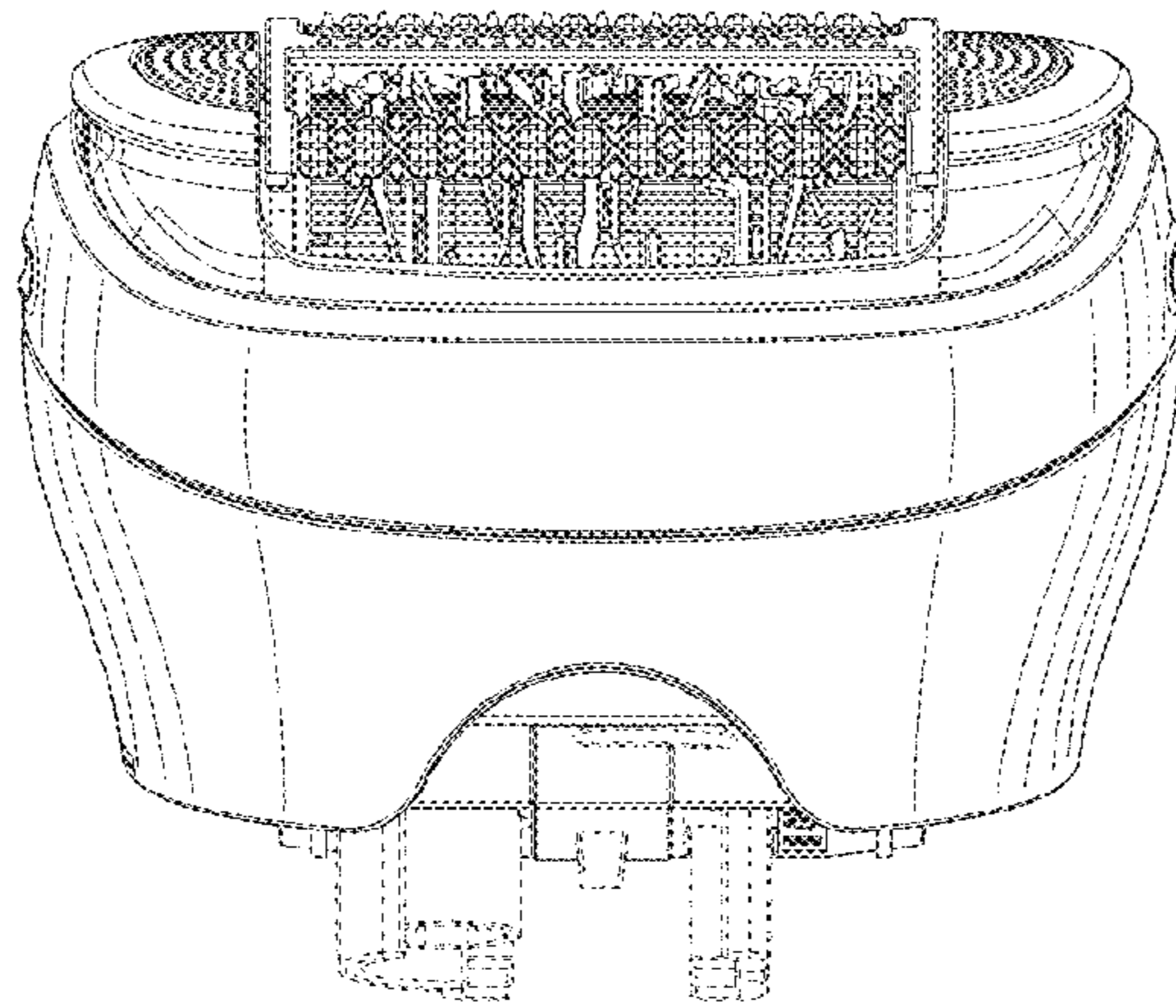


Fig. 2

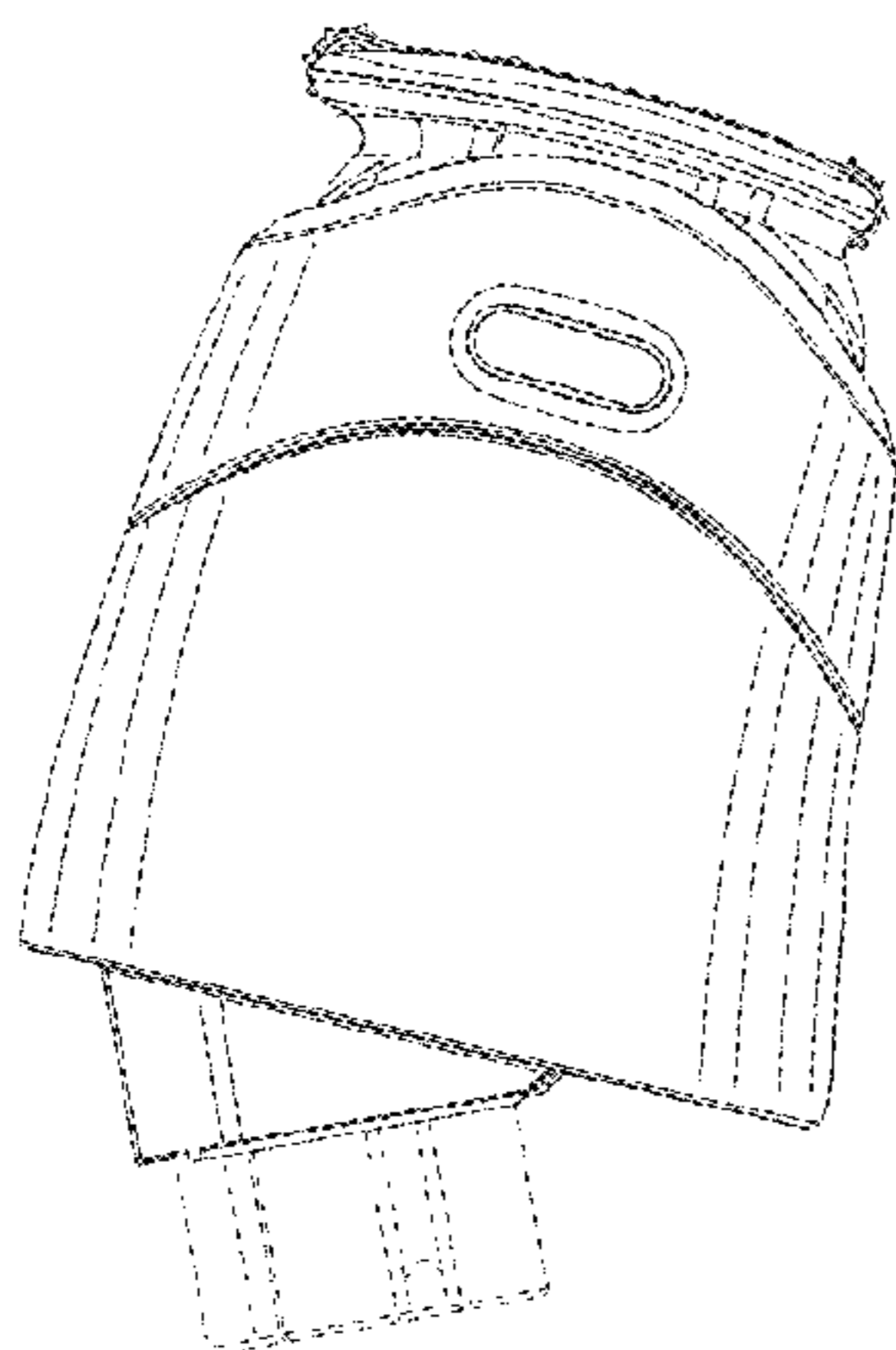


Fig. 3

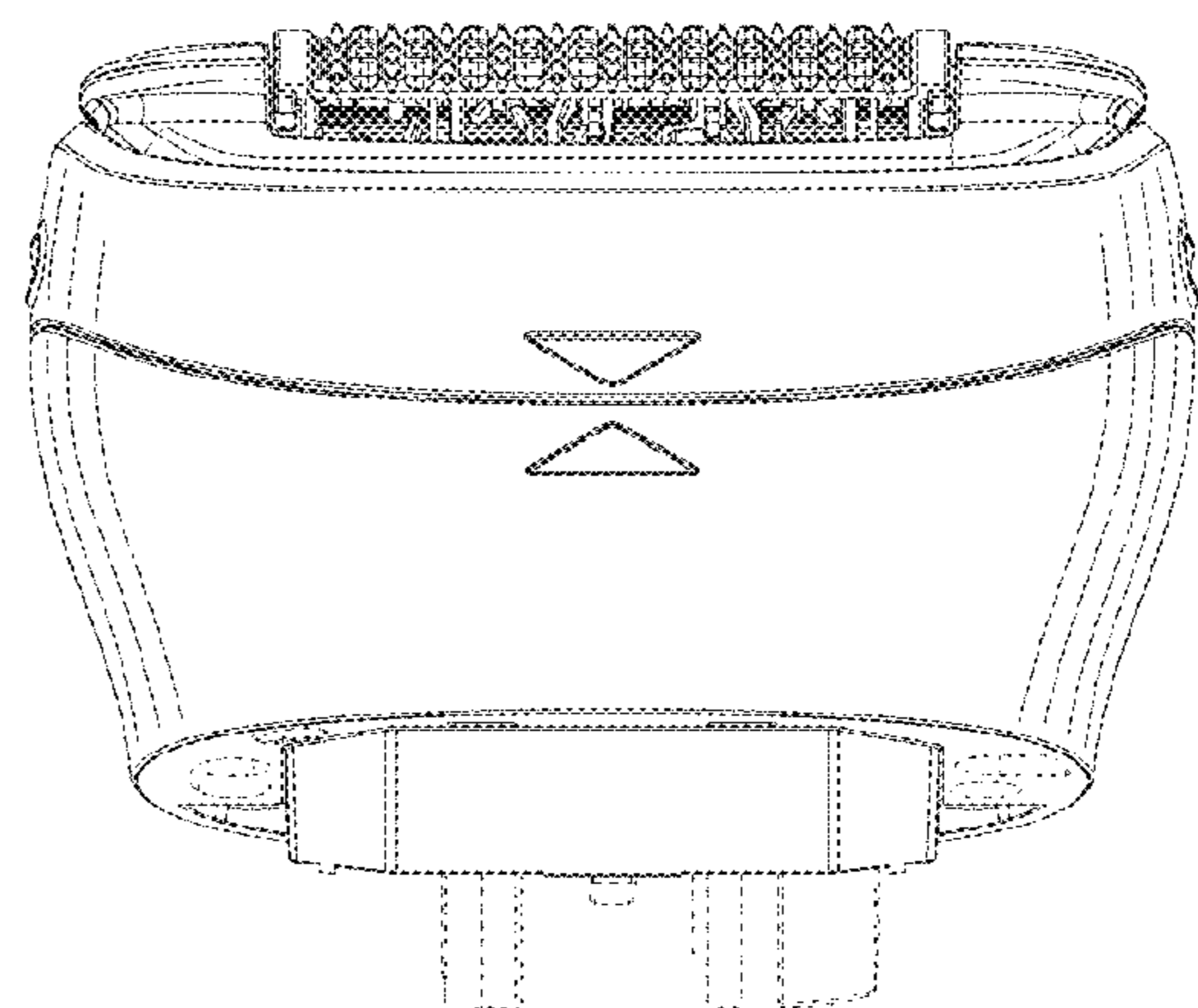


Fig. 4

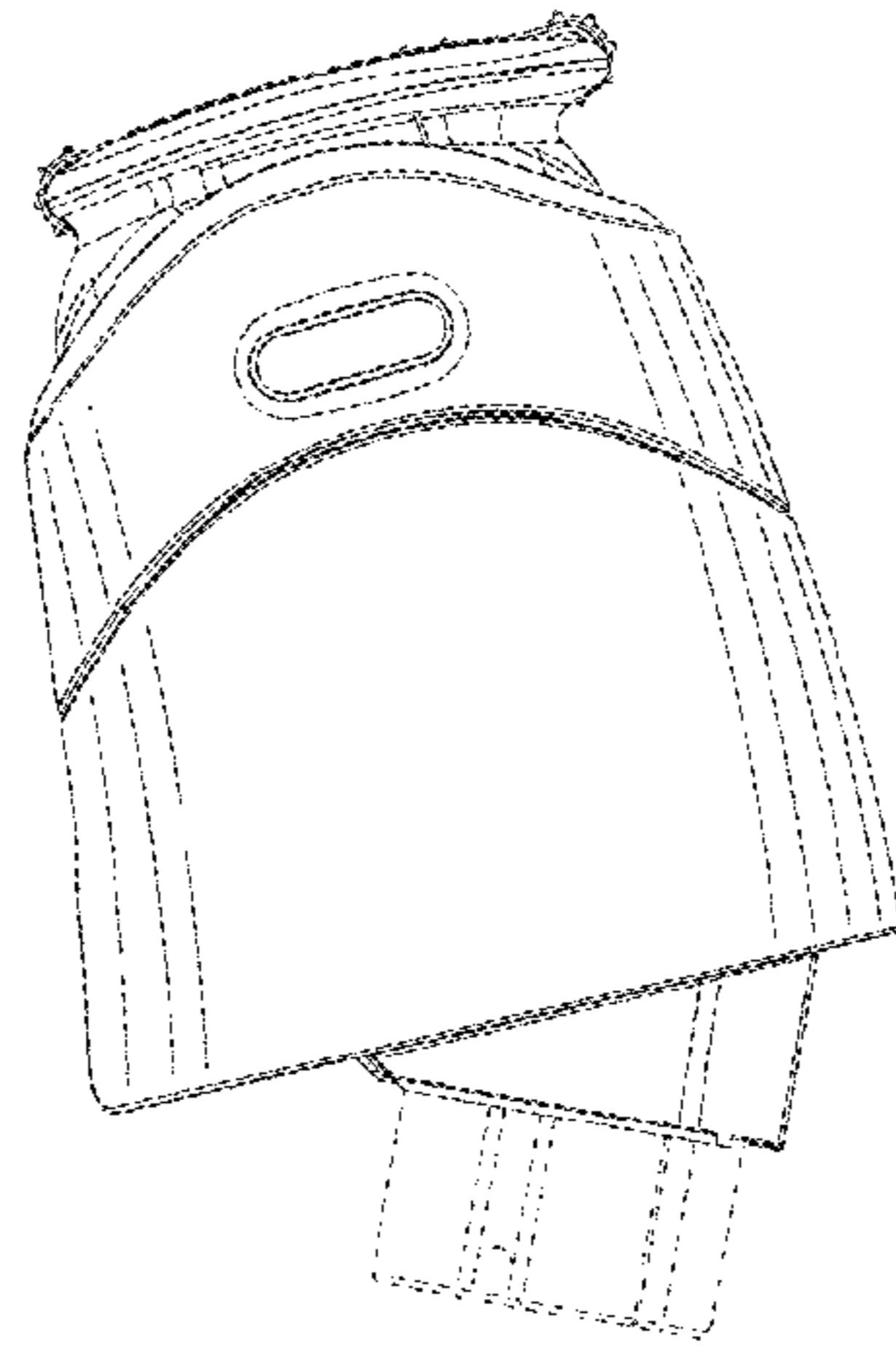


Fig. 5

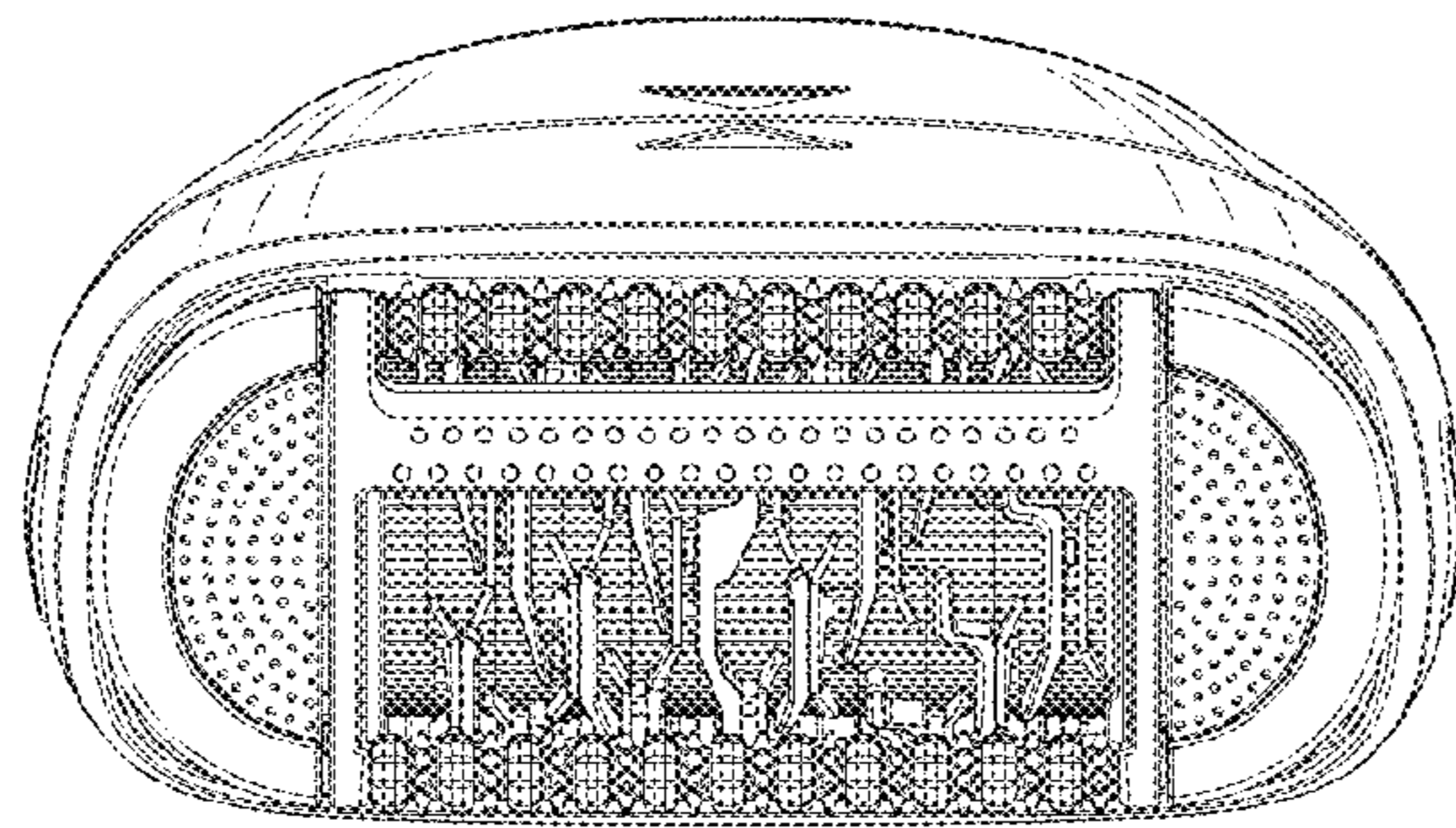


Fig. 6

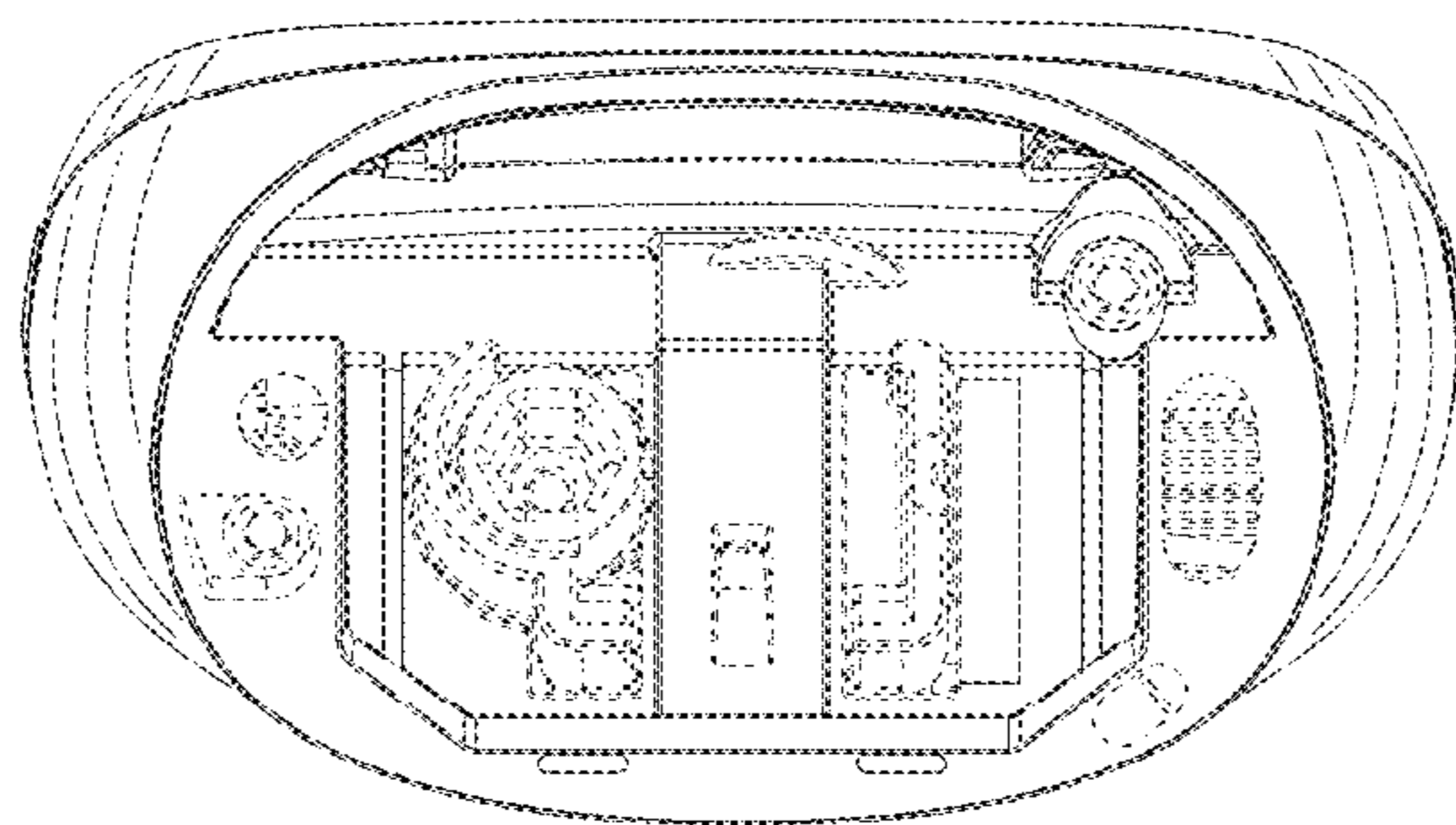


Fig. 7

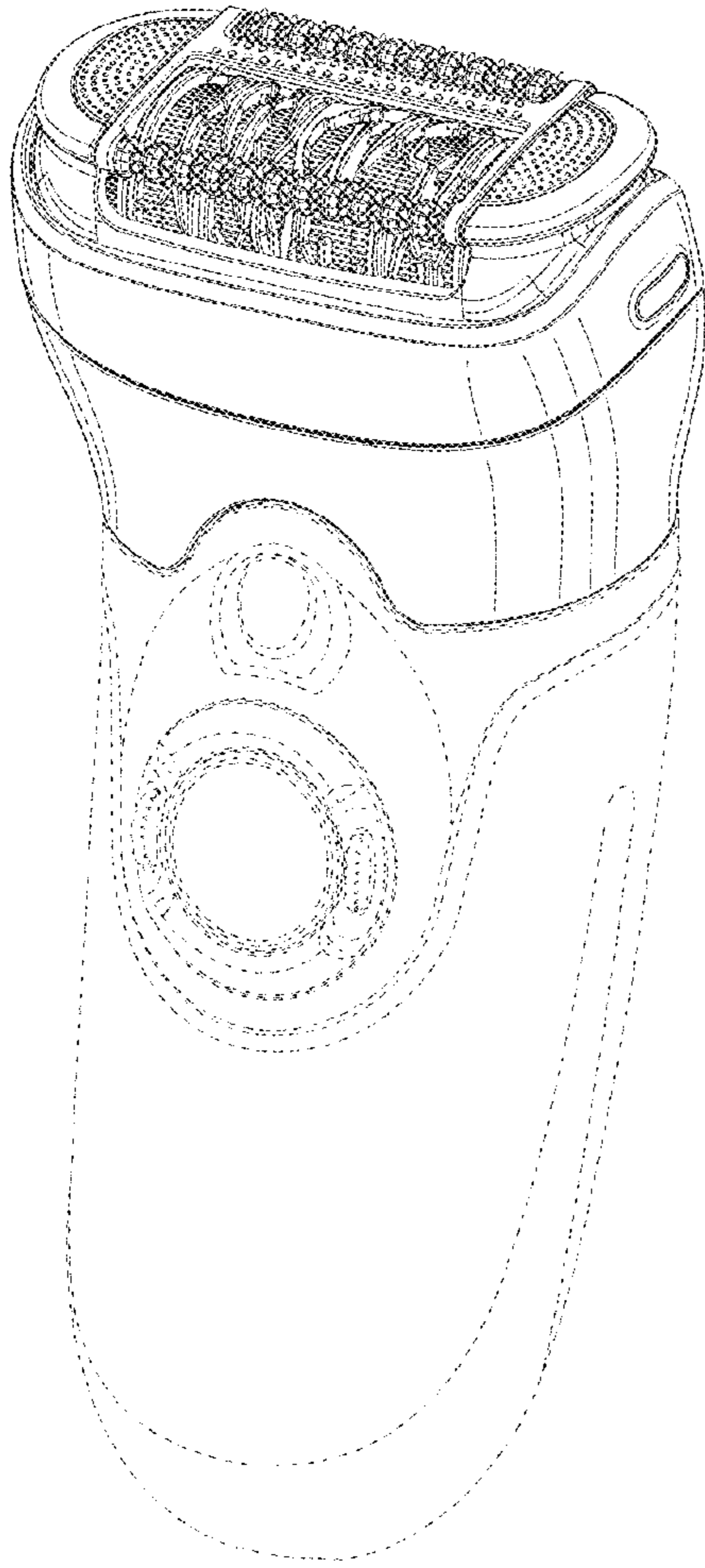


Fig. 8

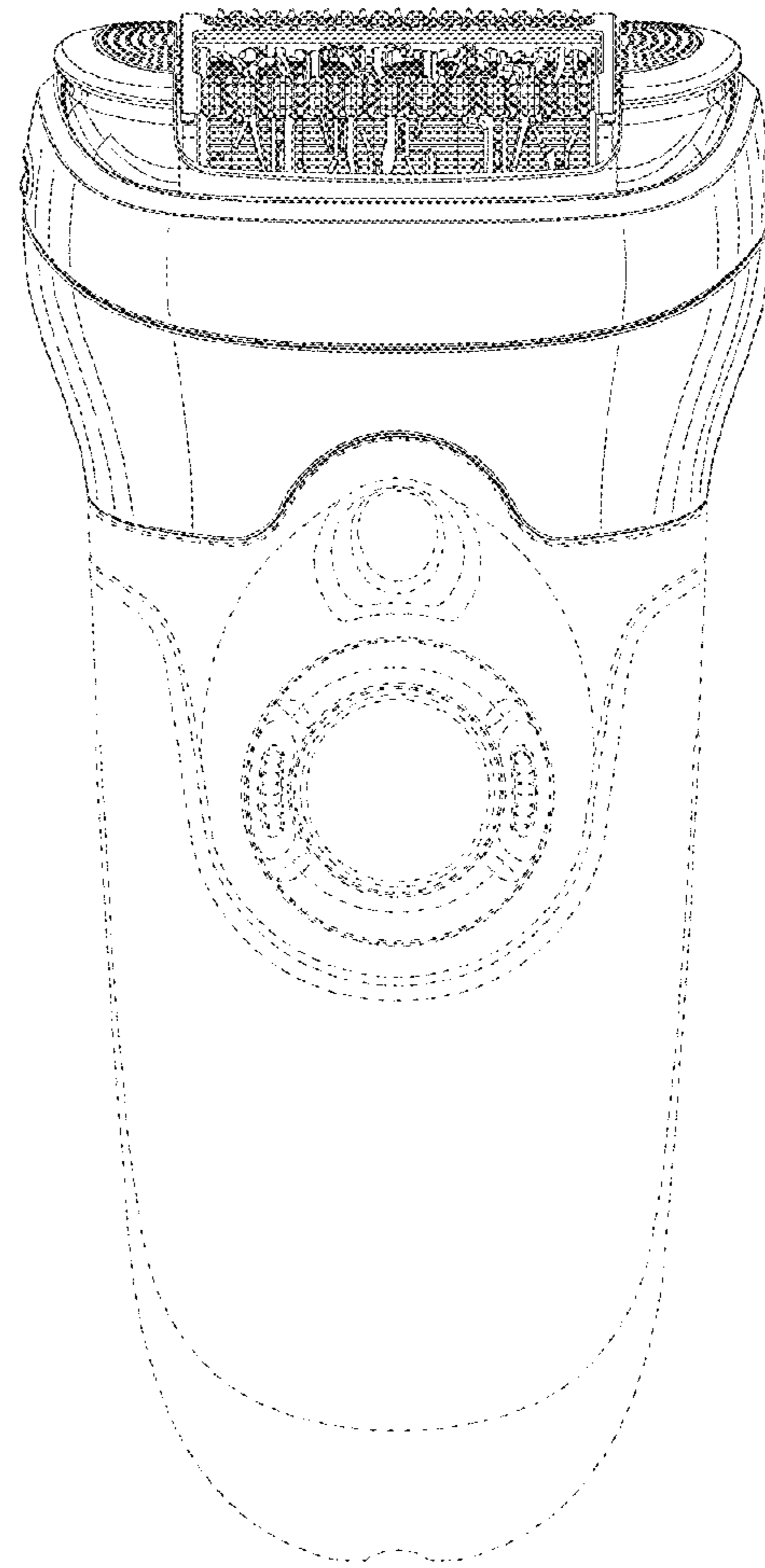


Fig. 9

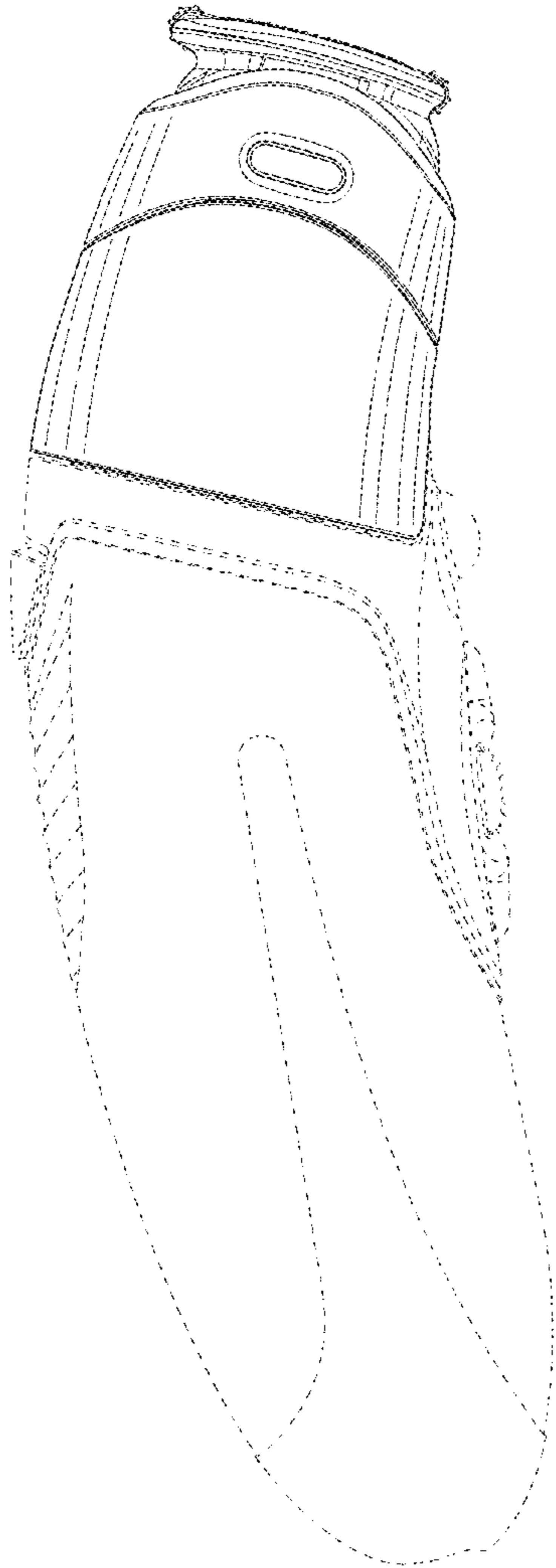


Fig. 10

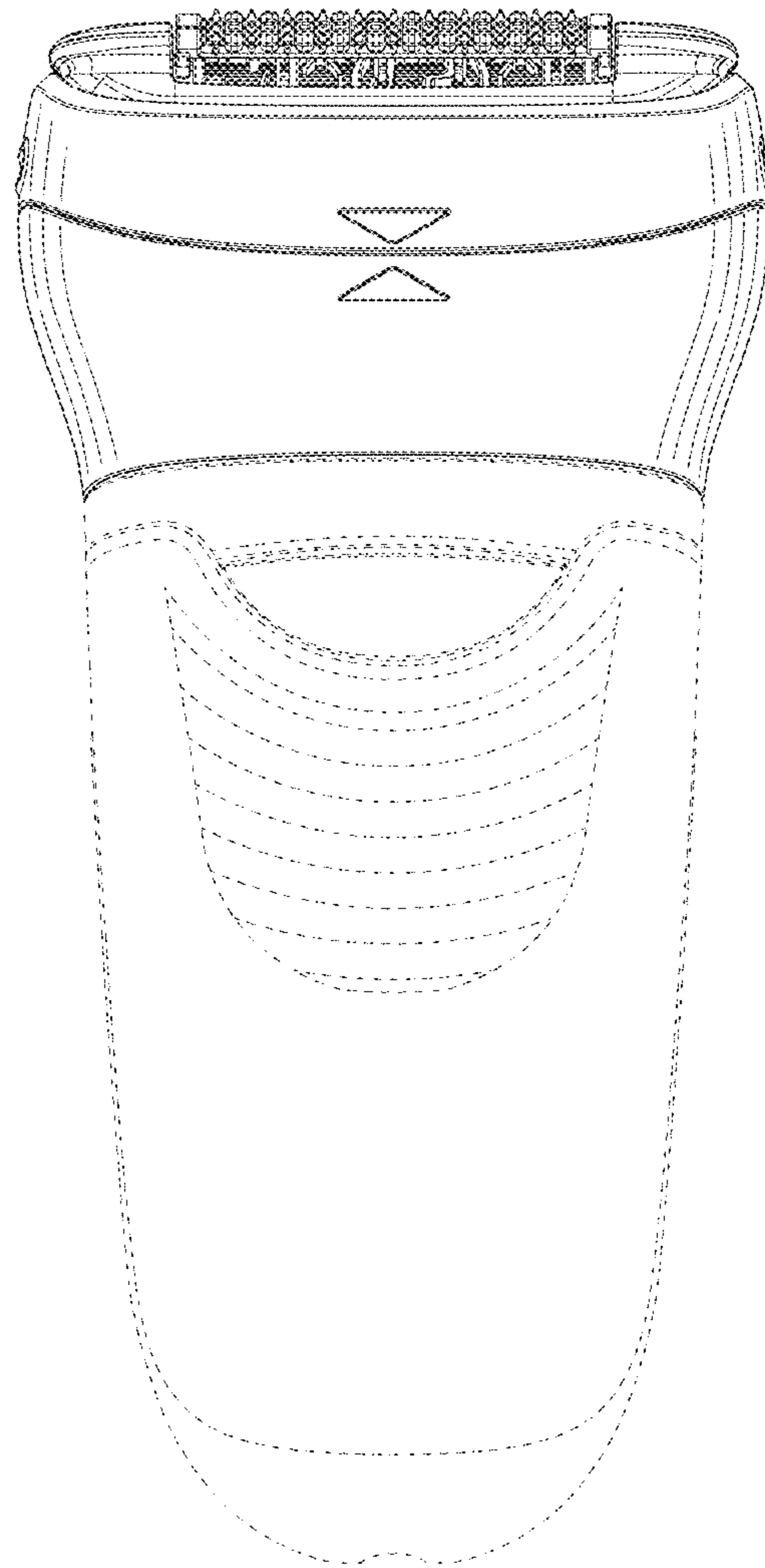


Fig. 11

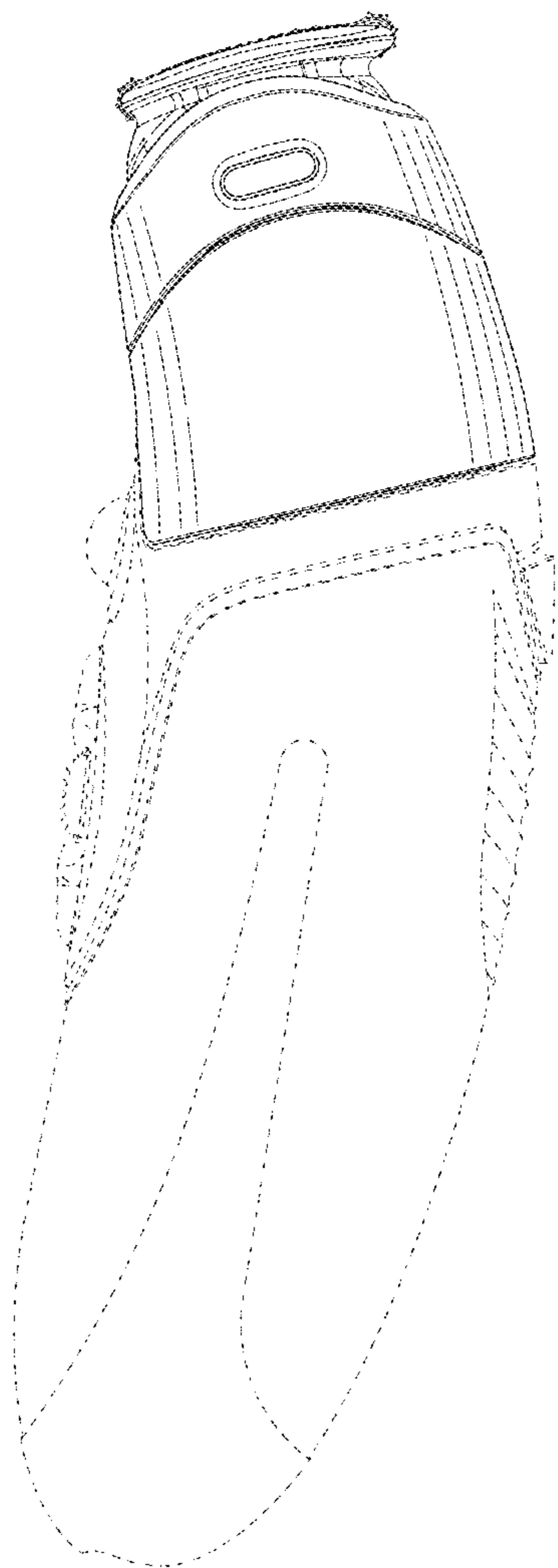


Fig. 12

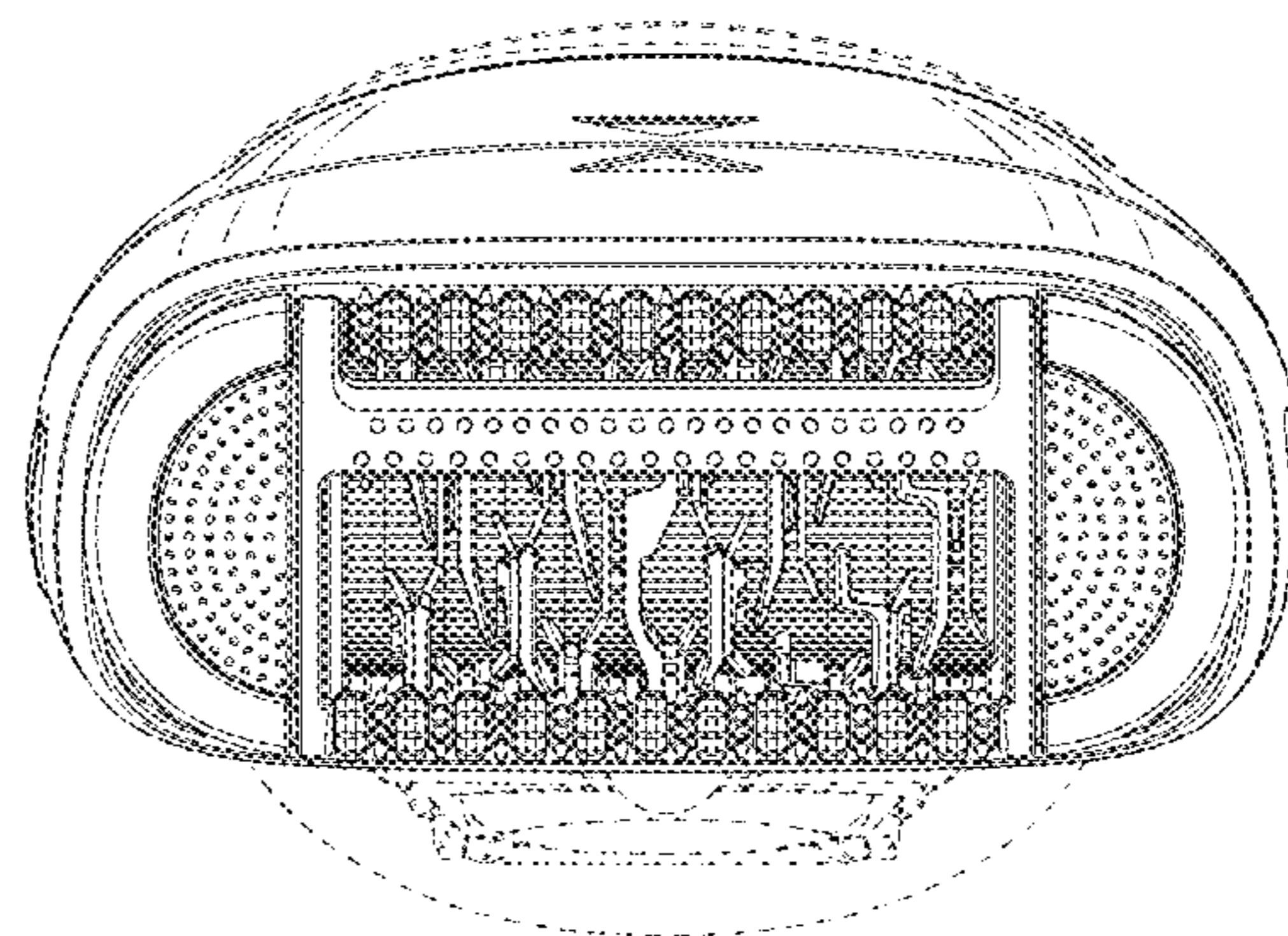


Fig. 13

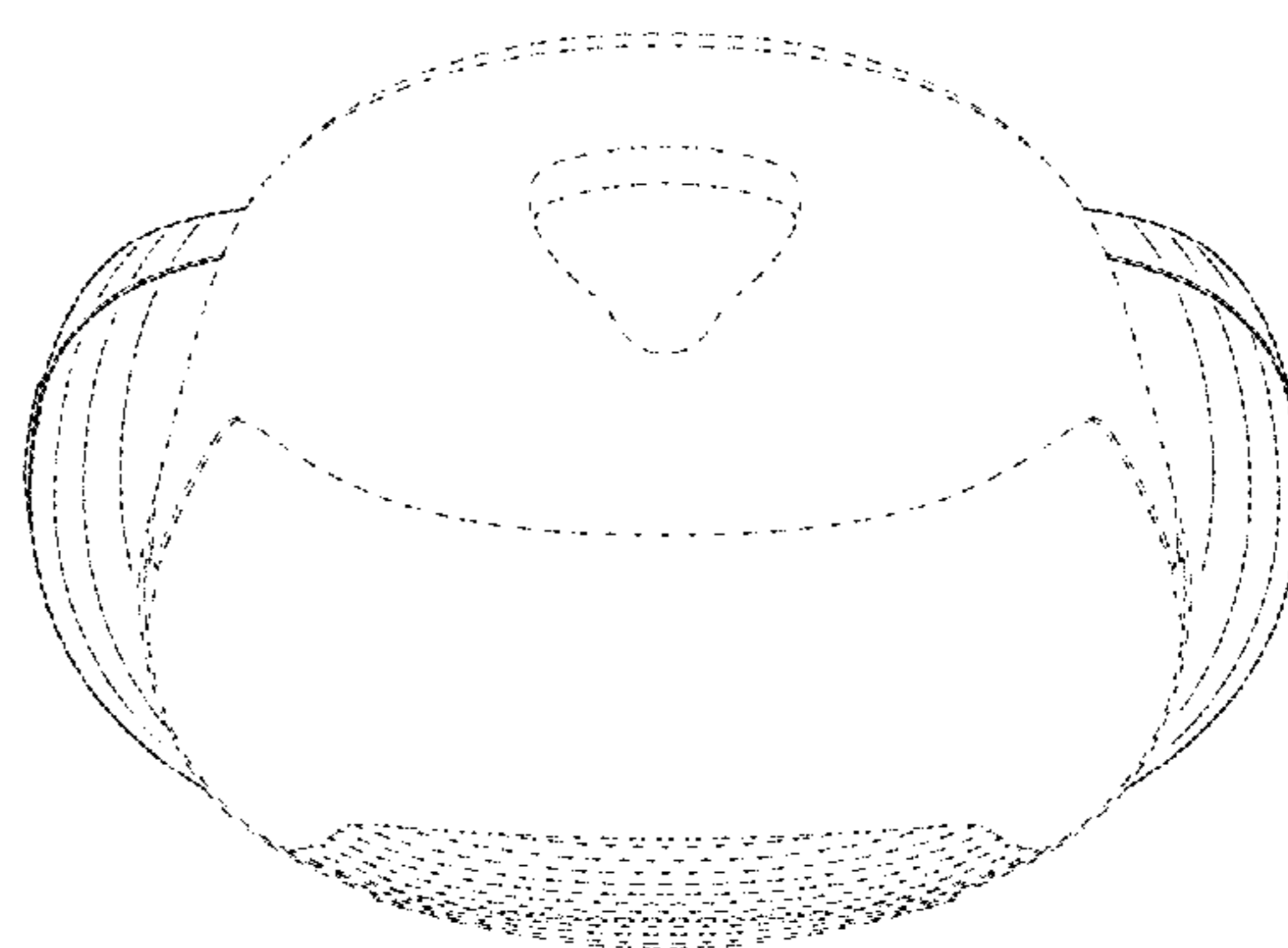


Fig. 14