



US00D763504S

(12) **United States Design Patent**  
**Hirashima et al.**

(10) **Patent No.:** **US D763,504 S**  
(45) **Date of Patent:** **\*\* Aug. 9, 2016**

(54) **COSMETIC PACK SHEET**  
(71) Applicant: **HISAMITSU PHARMACEUTICAL CO., INC.**, Tosu-shi, Saga (JP)

D638,164 S \* 5/2011 Tajima ..... D28/4  
D645,612 S \* 9/2011 Roman ..... D28/7  
D646,842 S \* 10/2011 Roman ..... D28/7  
D648,063 S \* 11/2011 Nakajo ..... D28/4  
D689,650 S \* 9/2013 Kusuda ..... D28/7

(72) Inventors: **Nobuchika Hirashima**, Tosu (JP);  
**Takeshi Hoshikado**, Tokyo (JP);  
**Megumi Hirose**, Tokyo (JP)

**FOREIGN PATENT DOCUMENTS**

JP 1370335 10/2009  
JP 2012-183358 A 9/2012  
TW D118293 7/2007  
TW D141268 6/2011  
WO WO 2011/148994 A1 12/2011

(73) Assignee: **HISAMITSU PHARMACEUTICAL CO., INC.**, Tosu-shi, Saga (JP)

(\*\*) Term: **14 Years**

\* cited by examiner

(21) Appl. No.: **29/503,873**

*Primary Examiner* — Zenia Bennett

(22) Filed: **Sep. 30, 2014**

(74) *Attorney, Agent, or Firm* — Jeremy Jay

(30) **Foreign Application Priority Data**

(57) **CLAIM**

The ornamental design for a cosmetic pack sheet, as shown and described.

Apr. 2, 2014 (JP) ..... D2014-007337

**DESCRIPTION**

(51) **LOC (10) Cl.** ..... **28-03**

FIG. 1 is a front view of a cosmetic pack sheet according to the present article.

(52) **U.S. Cl.**

FIG. 2 is a rear view of the cosmetic pack sheet of FIG. 1.

USPC ..... **D28/7**

FIG. 3 is a top plan view of the cosmetic pack sheet of FIG. 1.

(58) **Field of Classification Search**

USPC ..... D20/32, 33; D28/4, 7, 8, 9, 63, 91.2,  
D28/99; D24/119, 206, 208; 132/285, 319,  
132/320, 333; 424/443

FIG. 4 is a bottom plan view of the cosmetic pack sheet of FIG. 1.

CPC ..... A45D 44/002

FIG. 5 is a right side view of the cosmetic pack sheet of FIG. 1.

See application file for complete search history.

FIG. 6 is a left side view of the cosmetic pack sheet of FIG. 1.

FIG. 7 is a perspective view of the cosmetic pack sheet of FIG. 1.

(56) **References Cited**

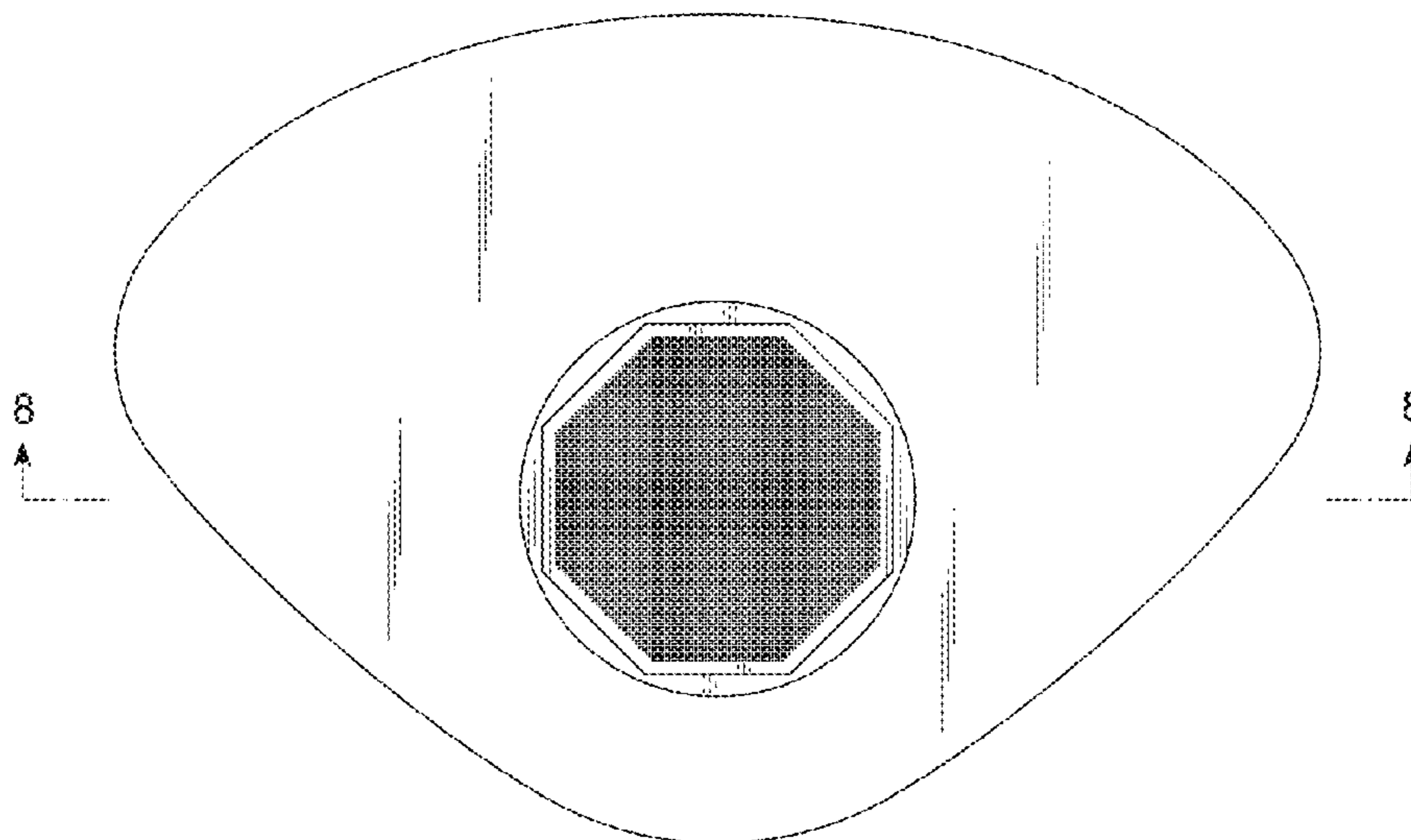
**U.S. PATENT DOCUMENTS**

D423,712 S \* 4/2000 Aoki ..... D28/4  
D487,942 S \* 3/2004 Hiroi ..... D28/4  
D630,376 S \* 1/2011 Yamamoto ..... D28/7  
D634,473 S \* 3/2011 Koike ..... D28/4

FIG. 8 is an enlarged view cross-sectional view of line 8-8 in FIG. 1; and,

FIG. 9 is an enlarged view of the inside area of the circular element of the cosmetic pack sheet of FIG. 7.

**1 Claim, 9 Drawing Sheets**



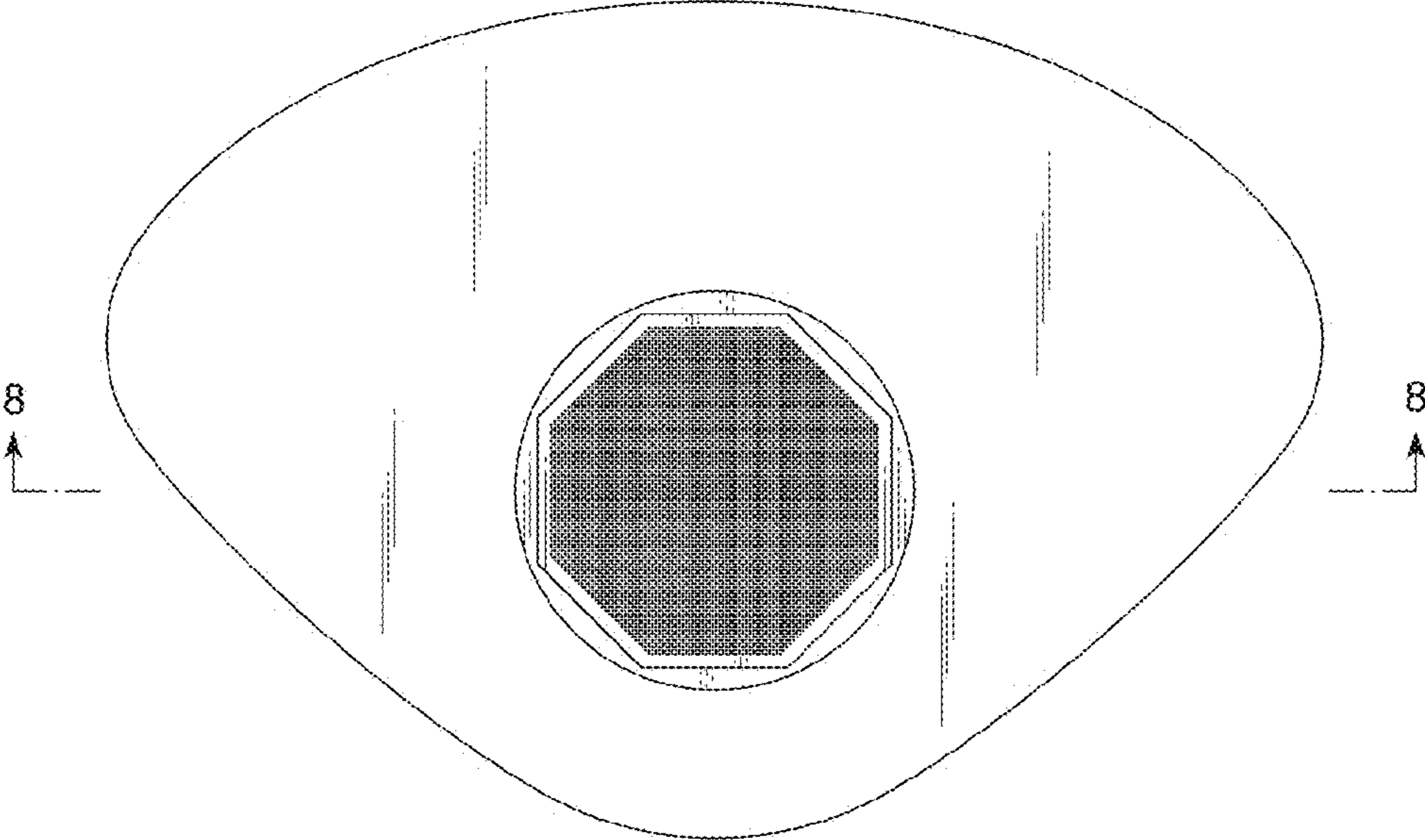


FIG. 1

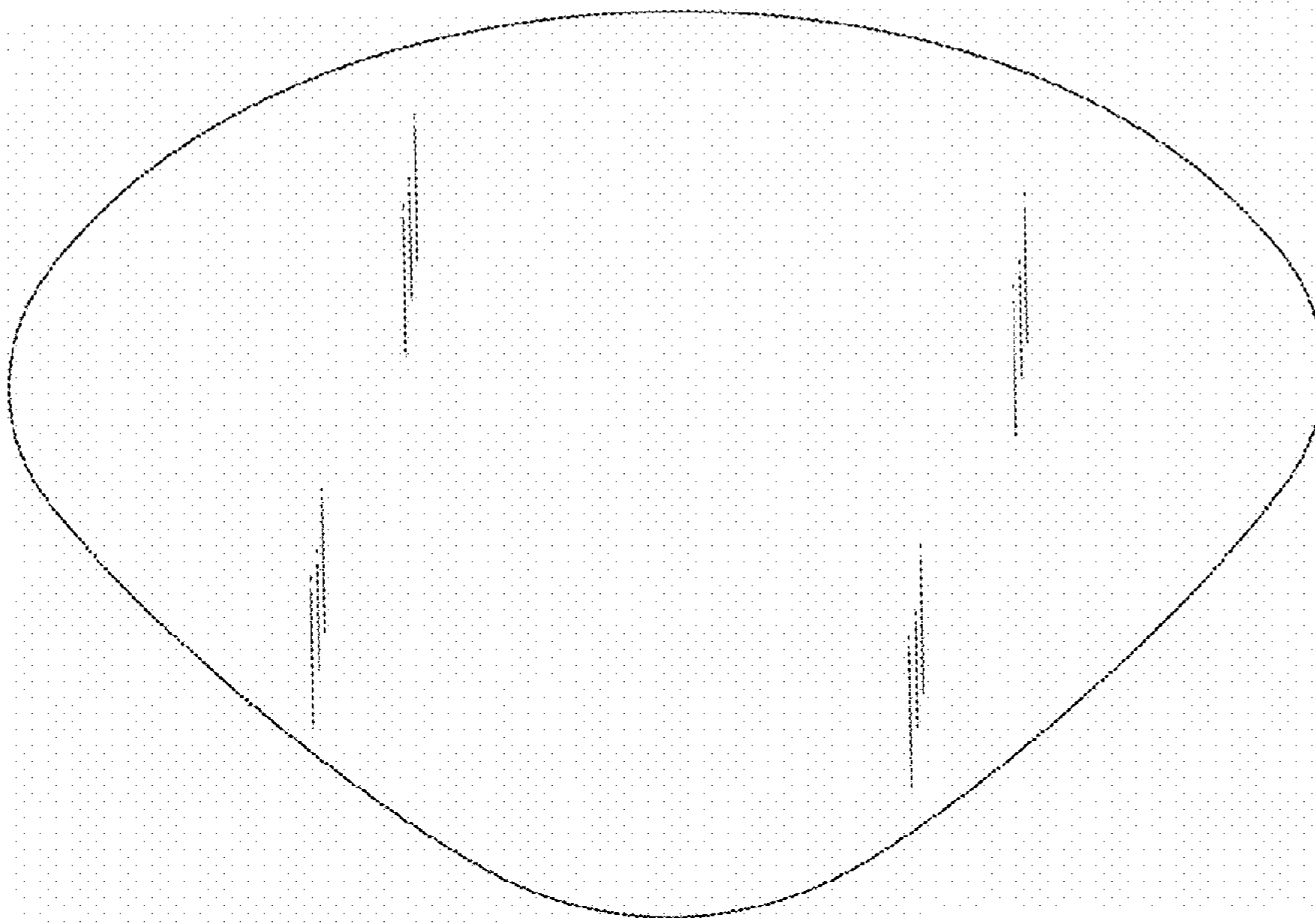
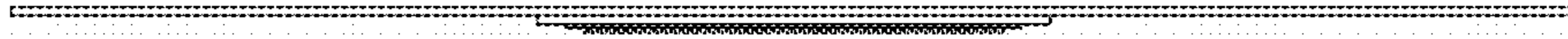
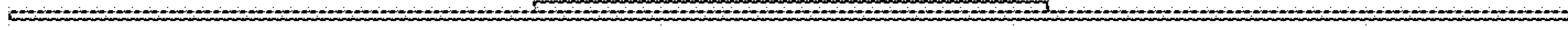


FIG. 2



**FIG. 3**



**FIG. 4**

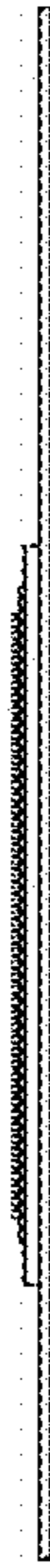


FIG. 5



FIG. 6

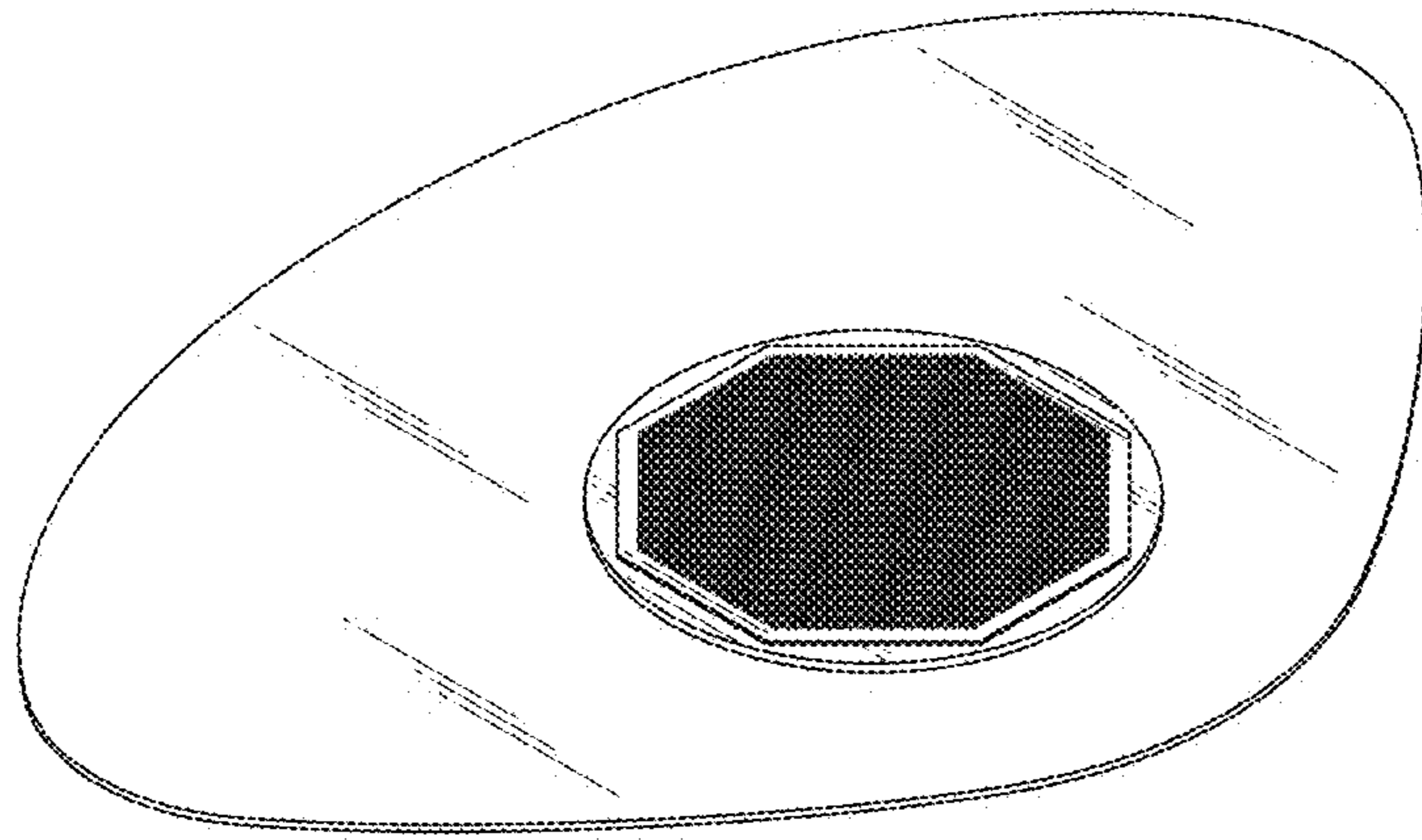


FIG. 7



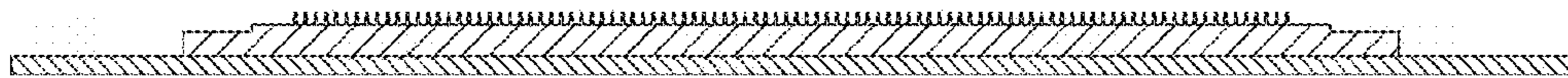


FIG. 8

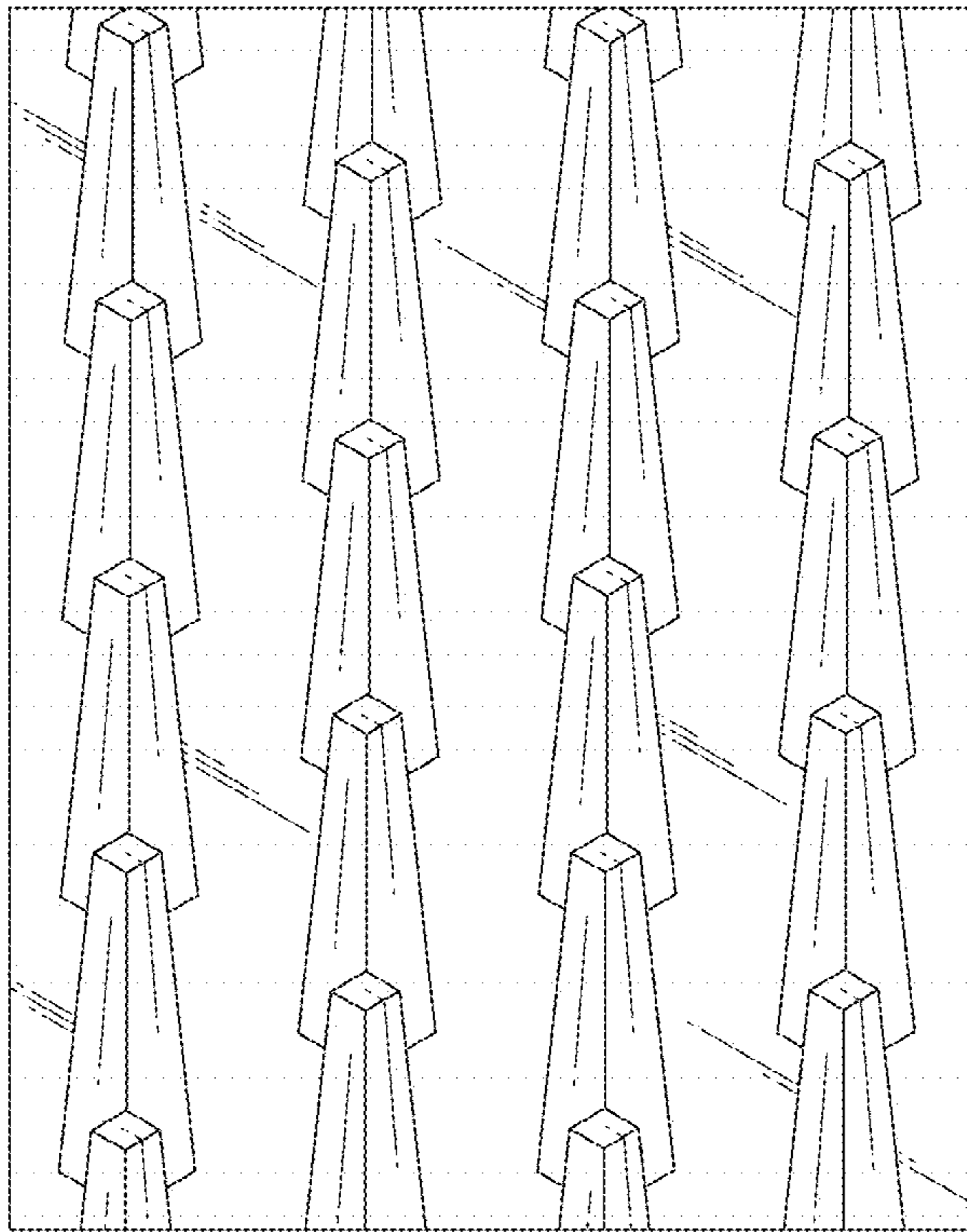


FIG. 9