



US00D763503S

(12) **United States Design Patent**
Bramley et al.

(10) **Patent No.:** **US D763,503 S**
(45) **Date of Patent:** **** Aug. 9, 2016**

(54) **MOUTHPIECE OF A SMOKING ARTICLE**
(71) Applicant: **ALTRIA CLIENT SERVICES INC.,**
Richmond, VA (US)
(72) Inventors: **Alistair Bramley**, Brooklyn, NY (US);
George Stafford, Brooklyn, NY (US);
Eric Hawes, Midlothian, VA (US); **Traci**
Martin, Mechanicsville, VA (US);
Berina Yerkic-Husejnovic, Richmond,
VA (US)
(73) Assignee: **Altria Client Services LLC**, Richmond,
VA (US)

3,720,235 A * 3/1973 Schrock F16L 11/121
128/204.18
D229,725 S * 12/1973 Berger 131/361
D229,788 S * 1/1974 Berger 131/361
D229,789 S * 1/1974 Berger 131/361
D229,790 S * 1/1974 Berger 131/361
D375,159 S * 10/1996 Johansson D23/266
D638,194 S * 5/2011 Lichstein D34/39
D646,431 S * 10/2011 Awty D27/101
D651,338 S * 12/2011 Awty D27/101
D685,522 S * 7/2013 Potter D27/101
8,499,766 B1 * 8/2013 Newton A24F 47/008
131/273
8,539,959 B1 * 9/2013 Scatterday A61M 15/06
131/194

(Continued)

(**) Term: **14 Years**

FOREIGN PATENT DOCUMENTS

(21) Appl. No.: **29/471,454**

EM 001396501-0002 12/2013

(22) Filed: **Oct. 31, 2013**

OTHER PUBLICATIONS

(51) **LOC (10) Cl.** **27-02**

Brazilian Office Action dated Jun. 22, 2015 issued in corresponding
Brazilian Application No. BR302014001907-4.

(52) **U.S. Cl.**

(Continued)

USPC **D27/170**; D27/169; D27/101; D27/163

(58) **Field of Classification Search**

USPC D27/101, 162, 163, 167, 169, 170, 171,
D27/172, 183, 193, 194; 131/71, 76, 100,
131/101, 167, 169, 172, 175, 187, 190, 191,
131/202, 227, 229, 333, 347, 361; D24/110
CPC A24F 7/00; A24F 7/02; A24F 7/04;
A24F 13/10; A24F 47/002; A24F 47/008;
A24D 3/04; A24D 3/046; A24D 1/04; A24D
3/00; A61M 15/06

Primary Examiner — Susan Bennett Hattan

Assistant Examiner — Janice Hallmark

(74) *Attorney, Agent, or Firm* — Harness, Dickey & Pierce,
P.L.C.

See application file for complete search history.

(57)

CLAIM

The ornamental design for a mouthpiece of a smoking article,
as shown and described.

(56) **References Cited**

DESCRIPTION

U.S. PATENT DOCUMENTS

D125,122 S * 2/1941 Urben 131/187
3,396,733 A * 8/1968 Allseits A24D 3/0237
131/336
3,587,573 A * 6/1971 Flack A61M 15/06
128/203.21
D223,879 S * 6/1972 Chernack D27/194

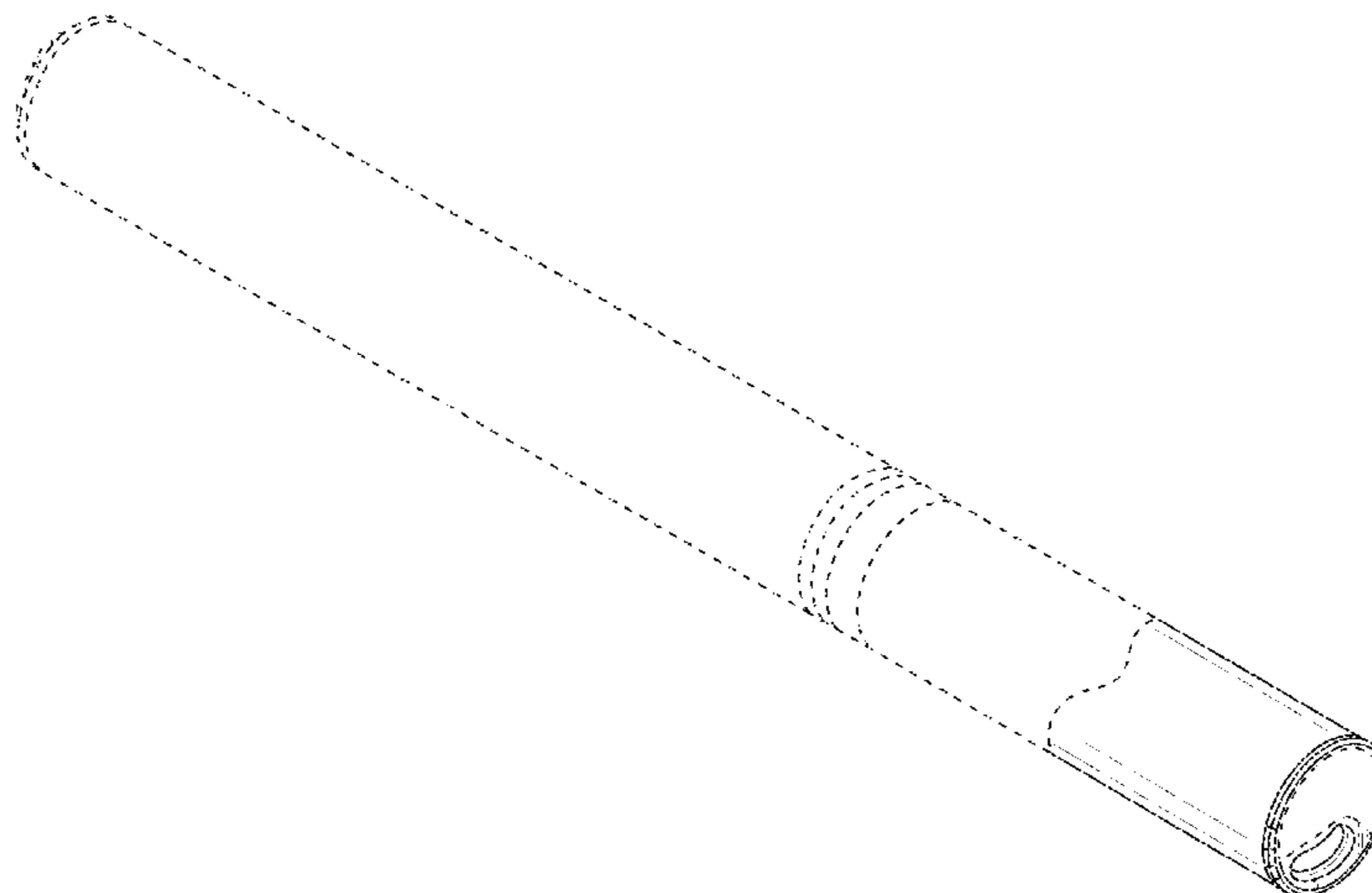
FIG. 1 is a perspective view of a mouthpiece of a smoking
article showing our new design.

FIG. 2 is side elevational view thereof; and,

FIG. 3 is a right end elevational view thereof.

The broken lines in the drawings depict environmental sub-
ject matter only that forms no part of the claimed design.

1 Claim, 2 Drawing Sheets



(56)

References Cited

U.S. PATENT DOCUMENTS

D691,765 S * 10/2013 Tucker D27/101
D695,449 S * 12/2013 Tucker D27/101
D722,196 S * 2/2015 Tucker D27/101
D724,262 S * 3/2015 Hearn D27/101
D724,781 S * 3/2015 Hearn D27/101
D726,364 S * 4/2015 Weigensberg D27/101
D726,365 S * 4/2015 Weigensberg D27/101
D728,852 S * 5/2015 Hearn D27/101
D729,439 S * 5/2015 Scatterday D27/101
D738,036 S * 9/2015 Tucker D27/101

D738,566 S * 9/2015 Tucker D27/101
D738,567 S * 9/2015 Tucker D27/101
2014/0238421 A1* 8/2014 Shapiro A24F 47/008
131/328

OTHER PUBLICATIONS

Website <http://ocigarrodofuturo.blogspot.com.br/2011/01/cigarro-eletronico-csec-502.html> (2011).
Website <http://betocarva.blogspot.com/br/2009/04/voando-com-os-ricos-%20e-amosos.html> (2009).

* cited by examiner

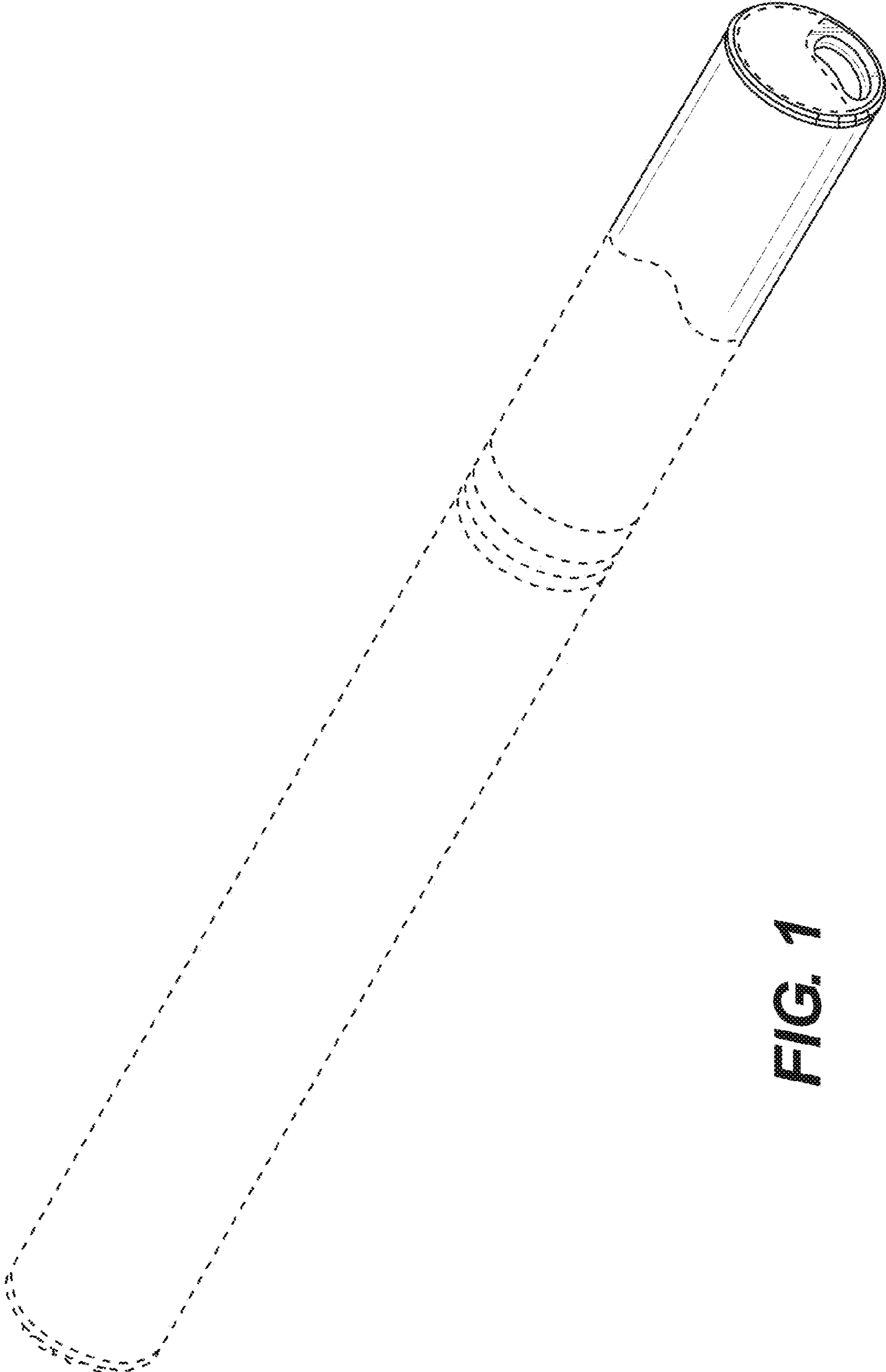


FIG. 1

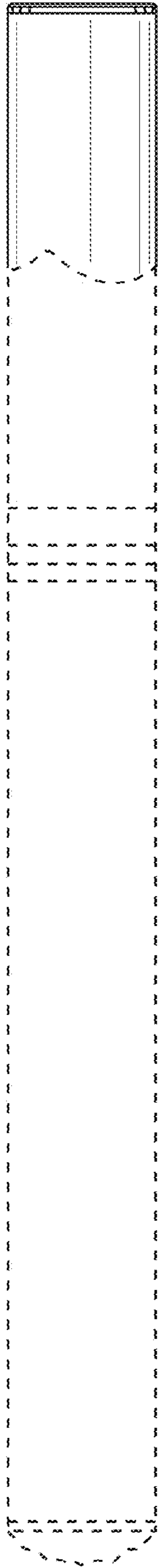


FIG. 2

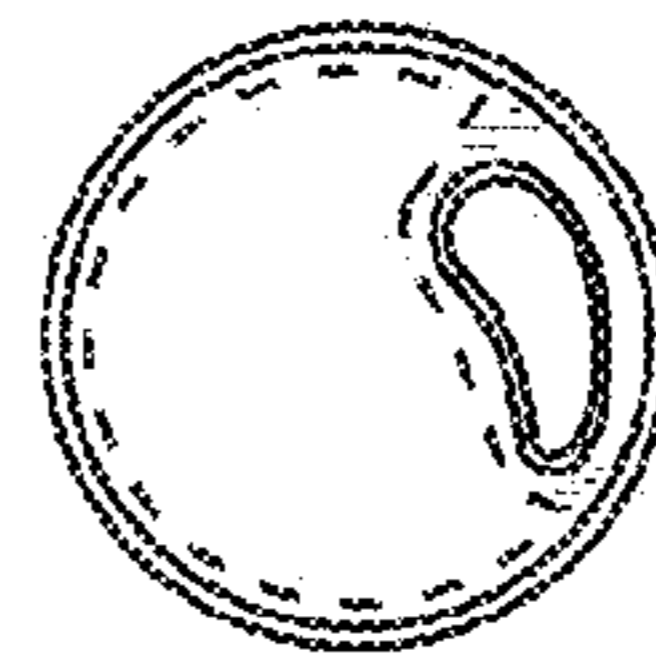


FIG. 3