

US00D763500S

(12) **United States Design Patent**
Nahabedian et al.

(10) **Patent No.:** **US D763,500 S**

(45) **Date of Patent:** **** Aug. 9, 2016**

(54) **LIGHTING FIXTURE**

(71) Applicant: **Boyd Lighting Fixture Company**,
Sausalito, CA (US)

(72) Inventors: **Thomas J. Nahabedian**, Chicago, IL
(US); **Mark A. Gaynor**, San Francisco,
CA (US)

(73) Assignee: **BOYD LIGHTING FIXTURE**
COMPANY, Sausalito, CA (US)

(**) Term: **14 Years**

(21) Appl. No.: **29/497,472**

(22) Filed: **Jul. 24, 2014**

(51) **LOC (10) Cl.** **26-99**

(52) **U.S. Cl.**
USPC **D26/154**

(58) **Field of Classification Search**
USPC D26/24, 39, 59, 67, 68, 69, 70, 71, 72,
D26/74, 76, 77, 80, 88, 89, 98, 138, 139,
D26/140, 141, 142, 151, 152
CPC F24S 4/001; F24S 4/005; F24S 8/00;
F24S 8/04; F24S 8/043; F24S 8/046; F24S
8/06-8/065; F24S 13/02; F24S 13/04; F24S
13/06

See application file for complete search history.

(56) **References Cited**

U.S. PATENT DOCUMENTS

D121,211 S *	6/1940	Levin	D26/154
D142,285 S *	8/1945	Kelly	D26/154
D403,796 S *	1/1999	Crosby	D26/85
6,213,623 B1 *	4/2001	Campman	F21L 4/02 362/184
D442,317 S *	5/2001	Crosby	D26/87
D442,728 S *	5/2001	Littman	D26/87
D547,893 S *	7/2007	Vice	D26/49
D556,372 S *	11/2007	Chan	D26/145
7,845,820 B2 *	12/2010	Bertken	F21L 4/02 362/120

D659,899 S *	5/2012	Kong	D26/138
8,348,465 B2	1/2013	Schrimmer et al.		
2006/0203478 A1 *	9/2006	Waters	F21L 4/00 362/217.13

OTHER PUBLICATIONS

Peace Icicle, available from Search Sociallight—Orament Design Ball & Auction, Carly Mosher, printed Jun. 13, 2014, 3-pages, available online at <http://www.boydlighting.com/sociallight/2012/12/orament-design-ball-auction/>, Dec. 11, 2012.

(Continued)

Primary Examiner — George D Kirschbaum

Assistant Examiner — Natasha Vujcic

(74) *Attorney, Agent, or Firm* — Heslin Rothenberg Farley & Mesiti P.C.

(57) **CLAIM**

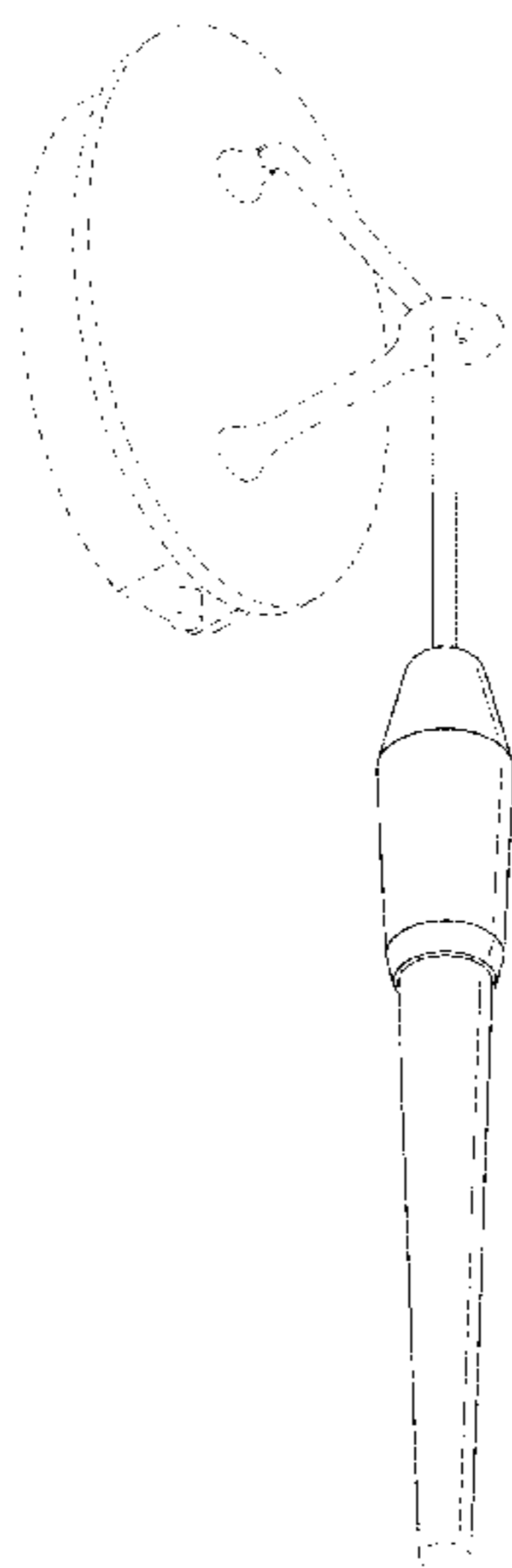
The ornamental design for a lighting fixture, as shown and described.

DESCRIPTION

FIG. 1 is a perspective view a lighting fixture in accordance with the new design;
FIG. 2 is a front elevational view thereof;
FIG. 3 is a left side elevational view thereof;
FIG. 4 is a right side elevational view thereof;
FIG. 5 is a bottom view thereof;
FIG. 6 is a perspective view of another embodiment of the lighting fixture with an upper portion being opaque and a lower portion being transparent or translucent in accordance with the new design;
FIG. 7 is a front elevational view thereof;
FIG. 8 is a left side elevational view thereof;
FIG. 9 is a right side elevational view thereof; and,
FIG. 10 is a bottom view thereof.

The broken lines showing portion of the lighting fixture in the figures illustrate environmental structures and form no part of the claimed invention.

1 Claim, 8 Drawing Sheets



(56)

References Cited

OTHER PUBLICATIONS

Colorful Electronic Flash Stick Glow Sticks, available from DHgate.com, printed Jun. 13, 2014, 6-pages, available online at <http://www.dhgate.com/product/colorful-electronic-flash-stick-glow-sticks/131232674.html> at least as early as Jun. 13, 2014.

Electric Glow Stick, available from Jilin Province Baiding Trade Co., Ltd., China, printed Jun. 13, 2014, 1-page, available online at <http://www.promotioncn.com/eshowpro.asp?id=789> at least as early as Jun. 13, 2014.

Glowstick Blu Flashlite, available from Amazon.com, printed Jun. 13, 2014, 6-pages, available online at http://www.amazon.com/gp/product/B001G28YZ4/ref=as_li_ss_tl?ie=UTF8&tag=diy0c-20&linkCode=as2&camp=1789&creative=390957

&creativeASIN=B001G28YZ4 at least as early as Jun. 13, 2014.

Trident L.E.D. Light Stick, available from Scuba.com, Irvine California, printed Jun. 13, 2014, 6-pages, available online at <http://www.scuba.com>

[scuba.com/US/scuba-gear-31/026252/Trident-L.E.D.-Light-Stick.html?gclid=CP_ejJ6b974CFc91OgodiVQAXg](http://www.scuba.com/US/scuba-gear-31/026252/Trident-L.E.D.-Light-Stick.html?gclid=CP_ejJ6b974CFc91OgodiVQAXg) at least as early as Jun. 13, 2014.

Krill Electronic Glow Sticks, available from Kriana Corporation, printed Jun. 13, 2014, 8-pages, available online at <http://www.dansdata.com/krillsticks.htm> at least as early as Jun. 13, 2014.

Eveready Flashlight with Lanyard, available from eLightBulbs, printed Jun. 13, 2014, 2-pages, available online at <http://www.elightbulbs.com/Energizer-Eveready-06004-GLO3BUBP-LED-Flashlight&source=FlashlightMuseum.com> at least as early as Jun. 13, 2014.

GloFX LED Glow Stick, available from GloFX 2014, Tallahassee Florida, printed Jun. 13, 2014, 6-pages, available online at <http://officialglofx.com/product/led-lightstick-flashing/> at least as early as Jun. 13, 2014.

Nahabedian et al., Design U.S. Appl. No. 29/497,474, entitled Lighting Fixture, filed Jul. 24, 2014, 10-pages.

* cited by examiner

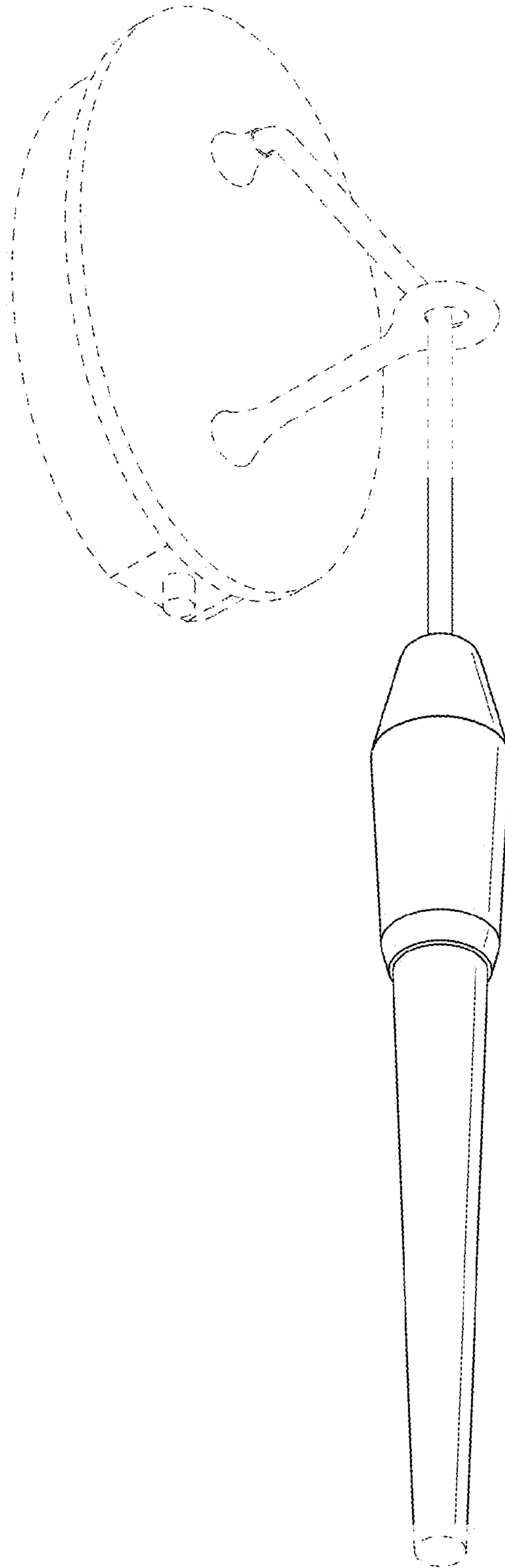


FIG. 1

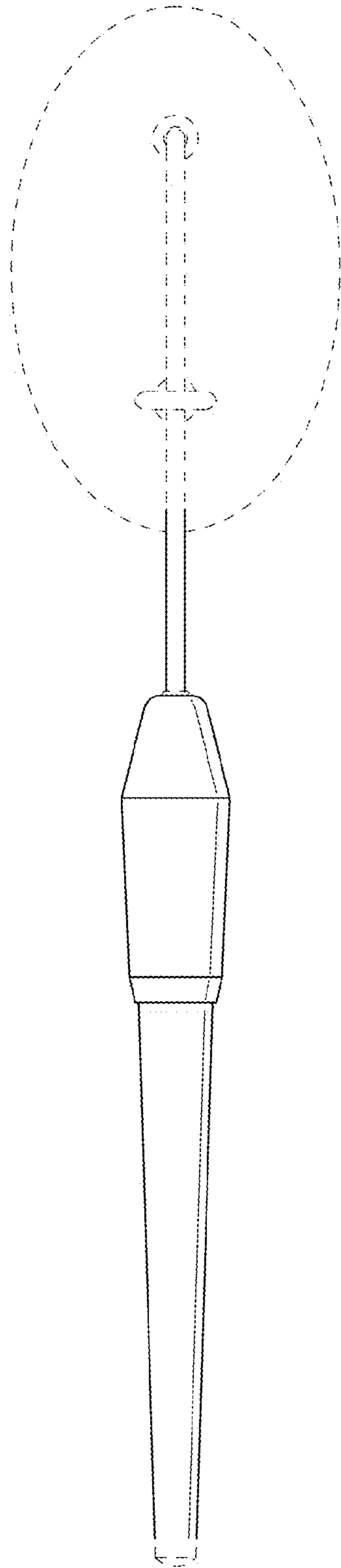


FIG. 2

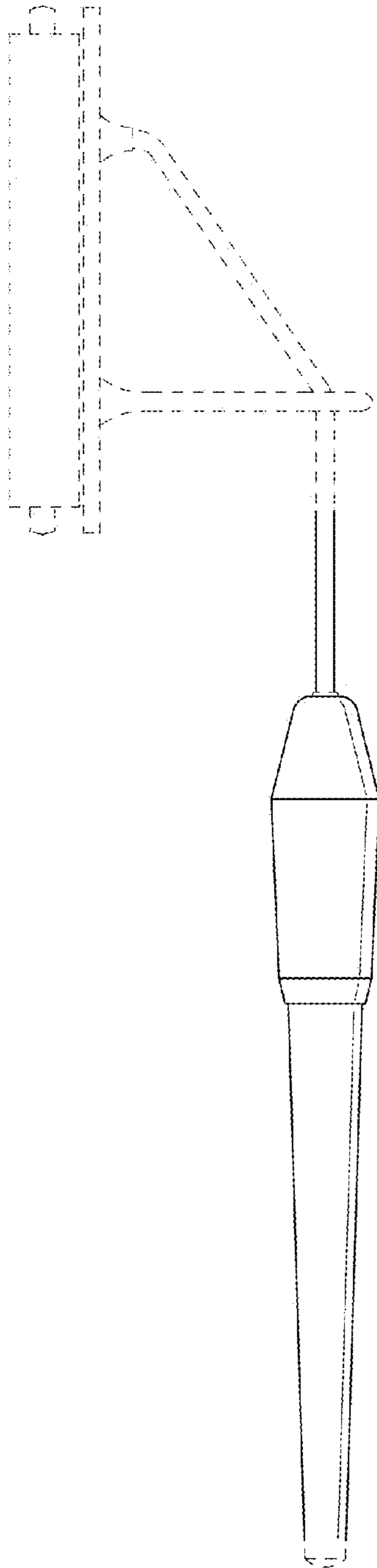


FIG. 3

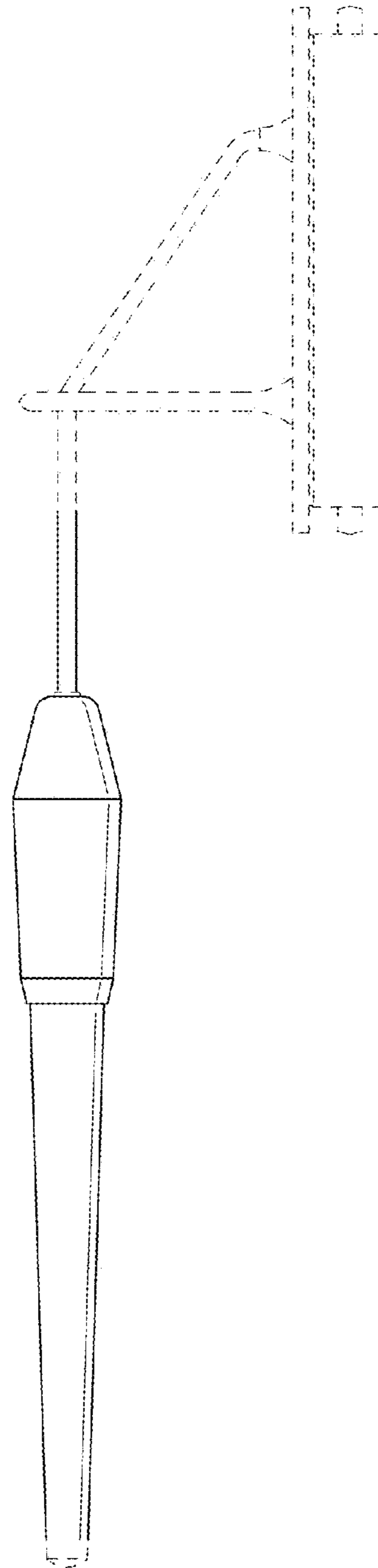


FIG. 4

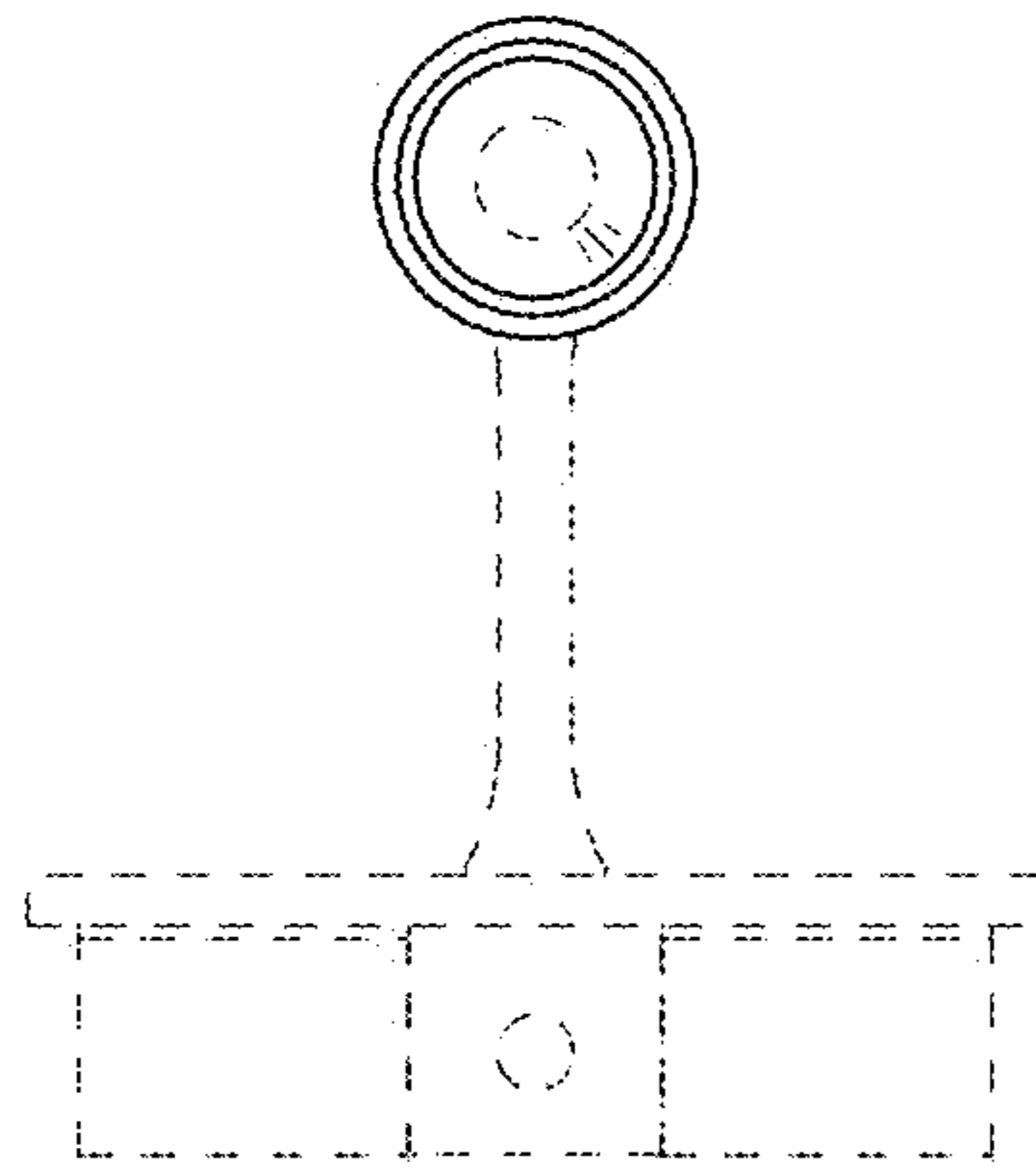


FIG. 5

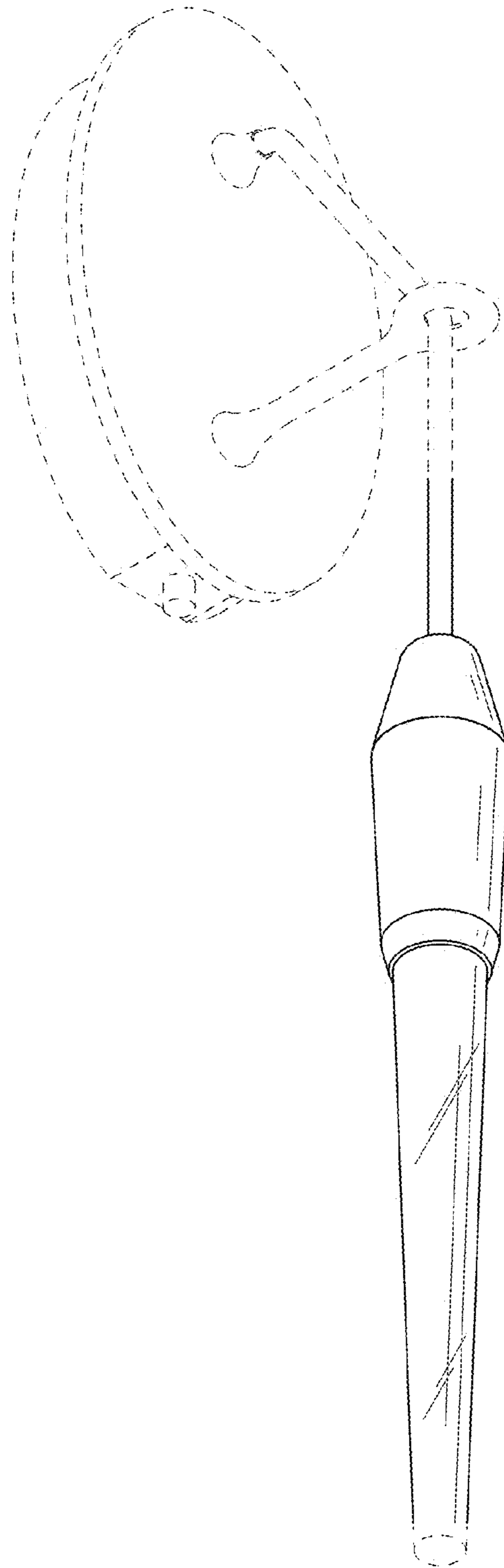


FIG. 6

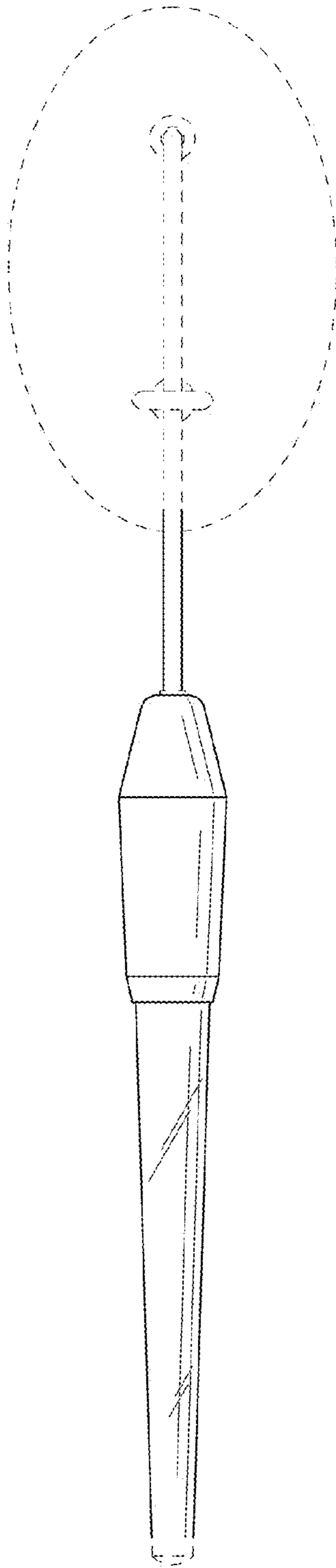


FIG. 7

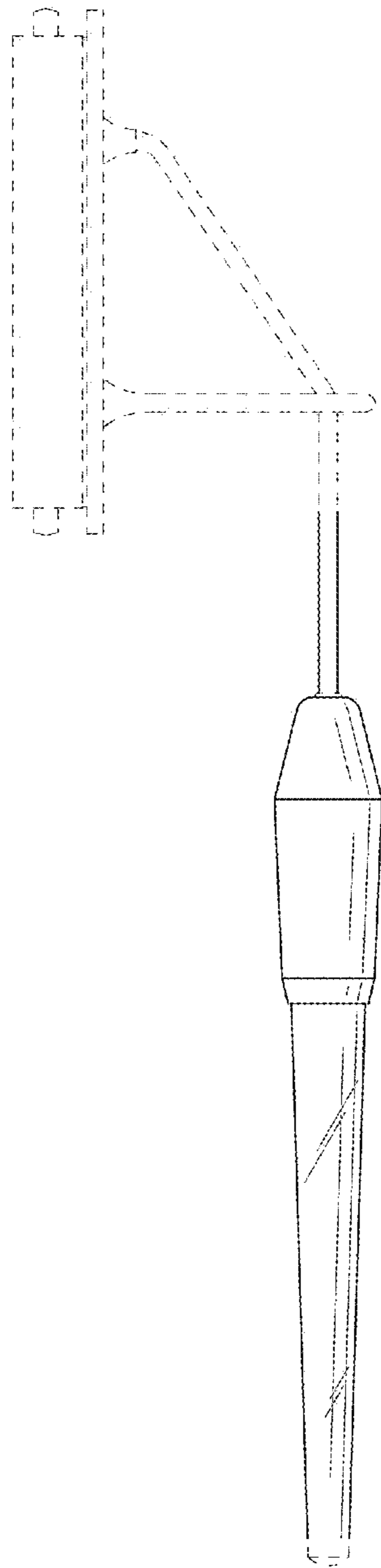


FIG. 8

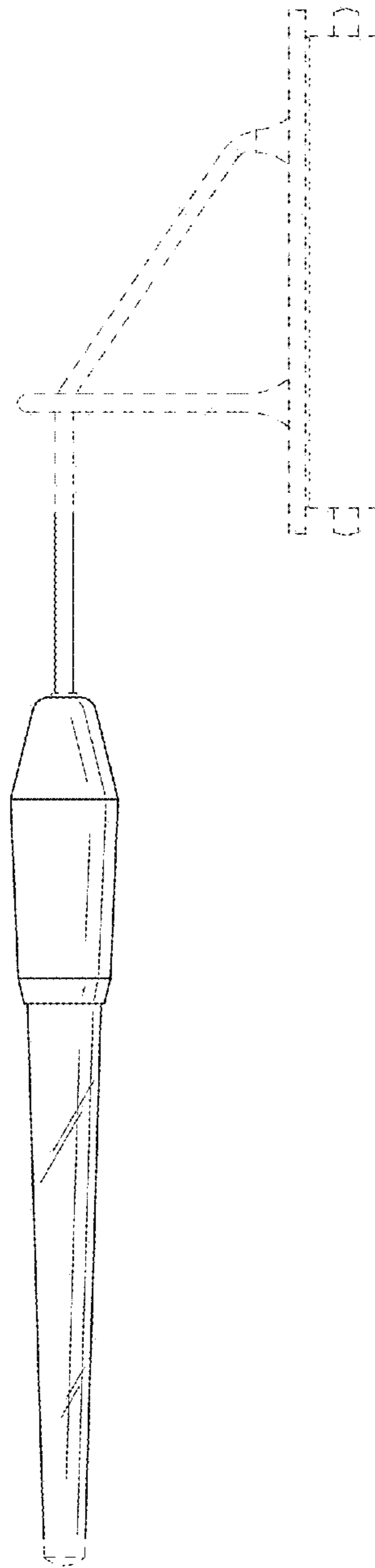


FIG. 9

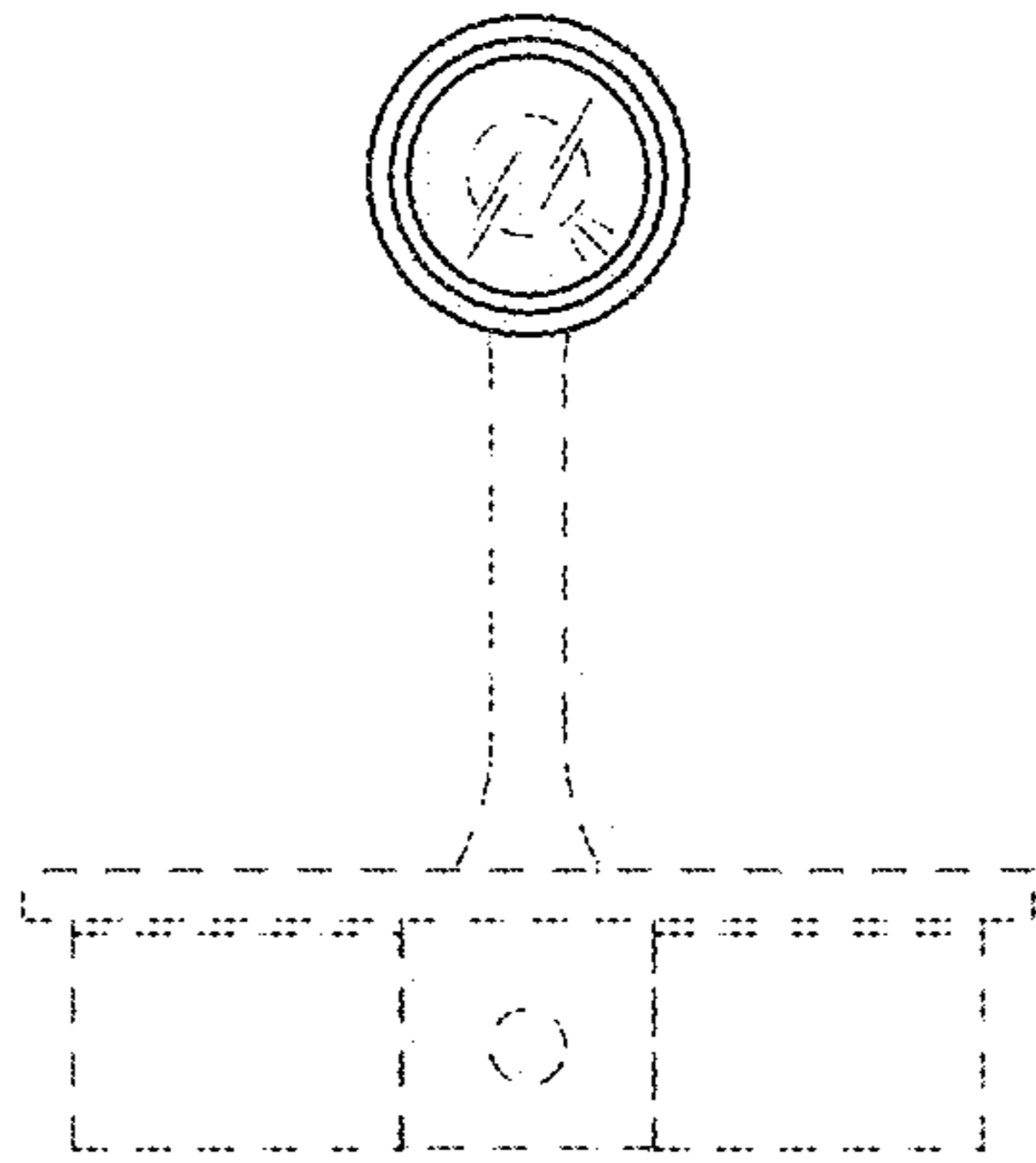


FIG. 10