



US00D763499S

(12) **United States Design Patent**
Lee

(10) **Patent No.:** **US D763,499 S**
(45) **Date of Patent:** **** Aug. 9, 2016**

(54) **RECESSED LUMINAIRE HOLDER**

(71) Applicant: **Siu Woo Lee**, Guangdong Province (CN)

(72) Inventor: **Siu Woo Lee**, Guangdong Province (CN)

(**) Term: **14 Years**

(21) Appl. No.: **29/509,092**

(22) Filed: **Nov. 13, 2014**

(30) **Foreign Application Priority Data**

Oct. 29, 2014 (CA) 159331

(51) **LOC (10) Cl.** **26-99**

(52) **U.S. Cl.**
USPC **D26/118**

(58) **Field of Classification Search**

USPC D26/2, 28, 60, 72, 89, 104, 113, 118,
D26/119, 120, 122, 124, 128, 138, 142, 143,
D26/145; D13/179, 180, 102, 103, 107, 108
CPC F41C 27/00; F41C 33/0254; G02B 5/045;
G02B 5/189; F21S 8/00; F21S 8/03; F21S
8/026; F21S 8/02; F21S 8/003; F21S 8/043;
F21S 8/06; F21S 8/04; F21V 7/005; F21V
15/01; F21V 15/04; F21V 25/00; F21V 3/02;
F21V 1/00; F21V 21/04; F21V 29/006;
G02F 2001/133607; F21Y 2103/00; F21Y
2101/02; H01L 2224/48137; F21K 9/00
See application file for complete search history.

(56) **References Cited**

U.S. PATENT DOCUMENTS

3,022,417 A * 2/1962 Linderoth F21V 1/06
362/358
3,057,354 A * 10/1962 Roberts A61F 13/64
128/DIG. 15

(Continued)

OTHER PUBLICATIONS

Fire Rated Downlights, image post date 1995, site visited Jan. 6,
2016, (online), <<http://www.ebay.co.uk/bhp/fire-rated-downlights>>.*

(Continued)

Primary Examiner — Kevin Rudzinski

Assistant Examiner — Sean D Lough

(74) *Attorney, Agent, or Firm* — Klarquist Sparkman, LLP

(57) **CLAIM**

I claim the ornamental design for a recessed luminaire holder,
as shown and described.

DESCRIPTION

FIG. 1 is a front view of a recessed luminaire holder with
structural support component elements shown in the lowered
position;

FIG. 2 is a right view of the recessed luminaire holder of FIG.
1;

FIG. 3 is a left view of the recessed luminaire holder of FIG.
1;

FIG. 4 is a rear view of the recessed luminaire holder of FIG.
1;

FIG. 5 is a top view of the recessed luminaire holder of FIG.
1;

FIG. 6 is a bottom view of the recessed luminaire holder of
FIG. 1;

FIG. 7 is a perspective view of the recessed luminaire holder
of FIG. 1 with structural support component elements shown
in the raised position;

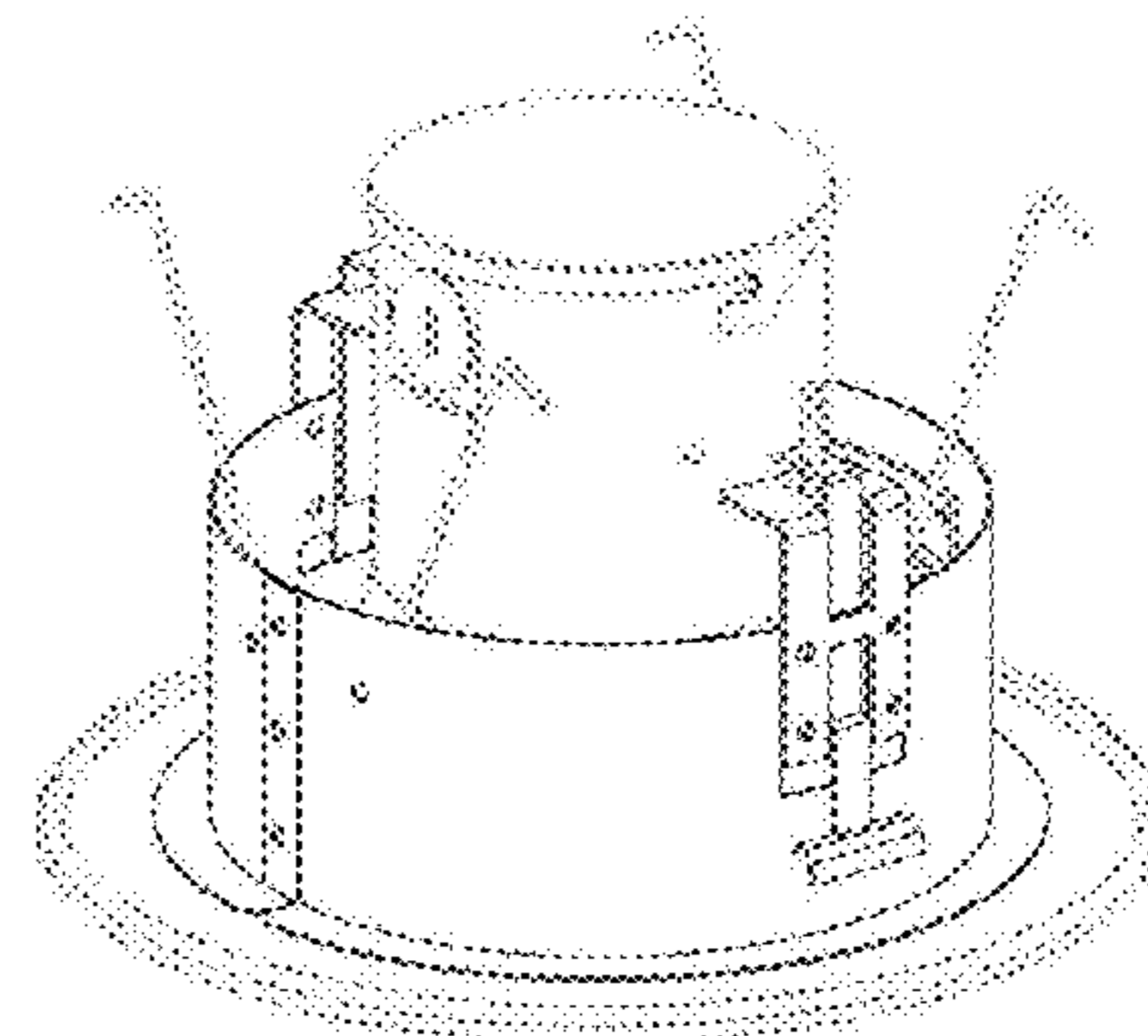
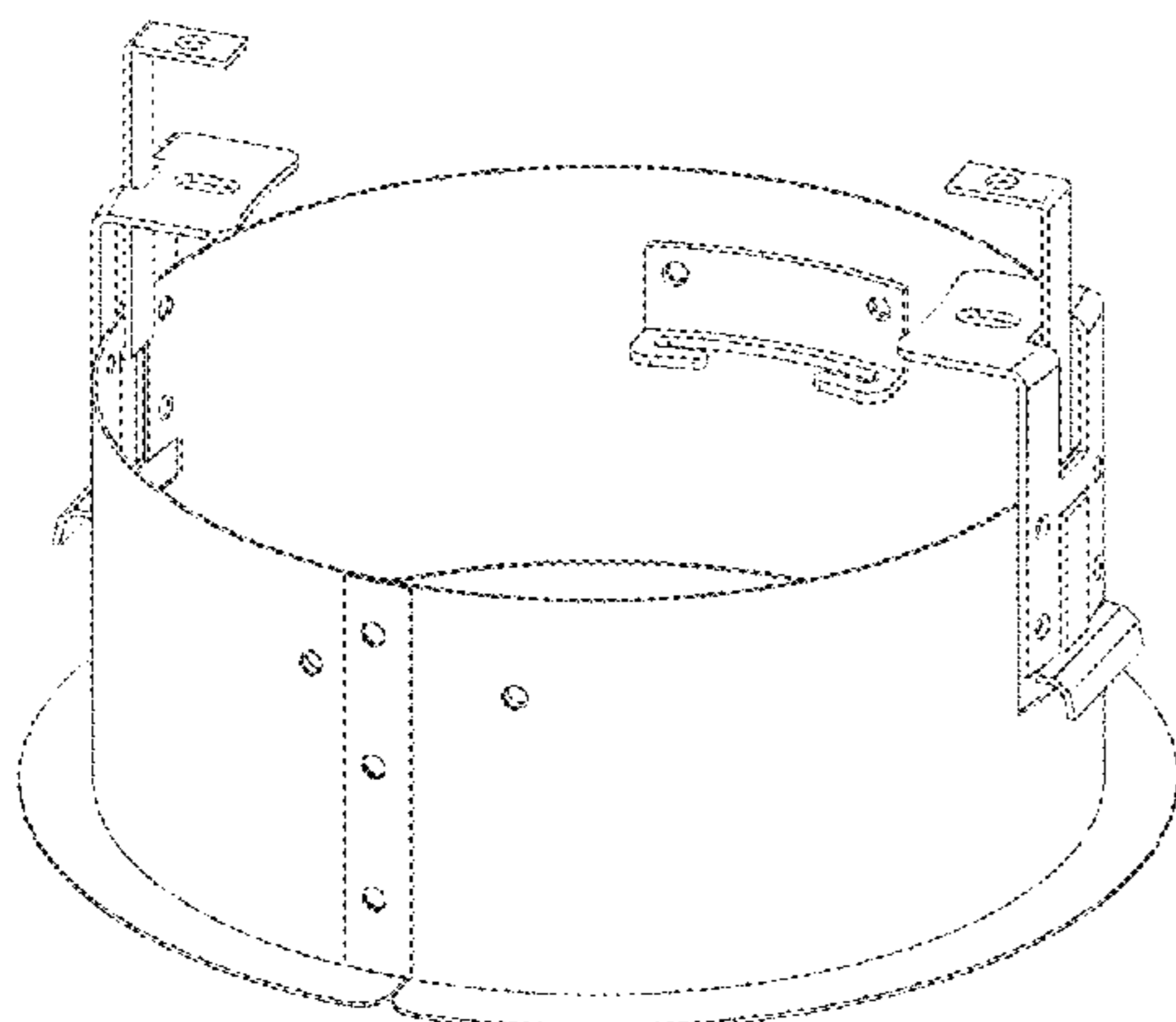
FIG. 8 is a cross-sectional view of the recessed luminaire
holder of FIG. 1, taken along broken line 8-8 of FIG. 1, and
showing an inner surface portion of the recessed luminaire
holder;

FIG. 9 is a cross-sectional view of the recessed luminaire
holder of FIG. 1, taken along broken line 9-9 of FIG. 2, and
showing an inner surface portion of the recessed luminaire
holder; and,

FIG. 10 is a perspective view of the recessed luminaire holder
of FIG. 1 shown with the environment of a recessed luminaire
depicted in broken lines mounted therein.

The broken lines shown in FIGS. 1 and 2 showing the cross
section lines and the small broken lines in FIG. 10 illustrating
the environment of the recessed luminaire form no part of the
claimed design.

1 Claim, 10 Drawing Sheets



(56)

References Cited

U.S. PATENT DOCUMENTS

3,130,949 A * 4/1964 Wolff E04B 9/006
248/343
3,385,963 A * 5/1968 Washick F21V 1/26
362/357
3,554,196 A * 1/1971 Wargo A61F 13/64
604/402
3,872,296 A * 3/1975 Cohen F21V 17/164
248/343
4,075,684 A * 2/1978 Witz F21V 1/06
362/352
4,212,052 A * 7/1980 Chambard F21V 1/06
362/352
4,337,505 A * 6/1982 Heimo F21V 1/00
362/125
4,344,115 A * 8/1982 Pickens F21V 1/00
362/216
5,031,084 A * 7/1991 Russo F21V 21/04
248/343
5,532,912 A * 7/1996 Bendit F21V 1/00
362/352
D380,852 S * 7/1997 Lecluze D26/118
D386,277 S * 11/1997 Lecluze D26/118
D397,472 S * 8/1998 Lecluze D26/118
5,957,572 A * 9/1999 Wedekind E04B 9/006
362/147
D473,965 S * 4/2003 Lecluze D26/74
D487,816 S * 3/2004 Benghozi D26/118
D501,059 S * 1/2005 Curtin D26/118
D516,235 S * 2/2006 Rashidi D26/138
D548,391 S * 8/2007 Lecluze D26/138
D548,875 S * 8/2007 Schieber D26/93
D555,825 S * 11/2007 Lecluze D26/138
D562,489 S * 2/2008 Rashidi D26/118
D583,504 S * 12/2008 Fujiwara D26/138
D595,005 S * 6/2009 Chou D26/74
D601,739 S * 10/2009 Chan D26/74
D608,041 S * 1/2010 Hua D26/74
D625,876 S * 10/2010 Chen D26/74
D630,350 S * 1/2011 Lin D26/24
D636,922 S * 4/2011 Yoshida D26/74
D640,819 S * 6/2011 Pan D26/74
D641,518 S * 7/2011 Van den Akker D26/89
7,993,037 B1 * 8/2011 Buse F21S 8/026
362/362
D653,799 S * 2/2012 Baker D26/138
D654,205 S * 2/2012 Rashidi D26/74
D655,436 S * 3/2012 Johnson D26/74
D655,851 S * 3/2012 Sabernig D26/88
D665,117 S * 8/2012 Yoshida D26/74
D667,161 S * 9/2012 Chen D26/87

D668,372 S * 10/2012 Renshaw D26/74
D684,288 S * 6/2013 Gielen D26/74
D684,307 S * 6/2013 Teller D26/118
D687,587 S * 8/2013 Rashidi D26/74
D687,588 S * 8/2013 Rashidi D26/74
8,517,325 B2 * 8/2013 Verma F21V 21/04
248/342
D690,864 S * 10/2013 Rashidi D26/74
D692,172 S * 10/2013 Rashidi D26/74
D694,456 S * 11/2013 Rowlette, Jr. D26/74
D695,446 S * 12/2013 Eustace D26/118
D698,071 S * 1/2014 Messiaen D26/74
D704,875 S * 5/2014 Johnson D26/74
D705,978 S * 5/2014 Rhodes D26/89
D707,877 S * 6/2014 Turner D26/118
D710,490 S * 8/2014 Shurtleff D23/411
8,820,983 B2 * 9/2014 Schmitt F21V 21/045
362/364
D715,904 S * 10/2014 Tate D23/387
8,851,437 B2 * 10/2014 Verma F21V 21/04
348/342
D724,775 S * 3/2015 van Dijk D26/74
D726,363 S * 4/2015 Danesh D26/138
D726,950 S * 4/2015 Serwacki D26/74
D728,182 S * 4/2015 Cook D32/54
9,028,114 B2 * 5/2015 Smith F21V 21/00
362/147
D733,348 S * 6/2015 Dolan D26/93
D738,035 S * 9/2015 King D26/128
9,121,572 B2 * 9/2015 Lewis F21V 1/02
9,149,007 B2 * 10/2015 Danowski A01G 9/021
D744,157 S * 11/2015 Schmidt D26/120
2009/0225540 A1 * 9/2009 Chen F21V 29/004
362/231
2012/0206925 A1 * 8/2012 Shenk F21V 1/06
362/352
2013/0010477 A1 * 1/2013 Wu F21V 1/06
362/351

OTHER PUBLICATIONS

Galvanized Top Flange Joist Hanger, image post date 2000, site visited Jan. 6, 2016, (online), <http://www.homedepot.com/p/Simpson-Strong-Tie-LB-2x12-ZMAX-Galvanized-Top-Flange-Joist-Hanger-LB212AZ/205857682?srccode=cii_13736960&AID=10368321&PID=1319015&cpncode=44-128684273-2&cm_mmc=CJ_-1319015_-10368321&cj=true>.*
Progress Lighting Recessed Bar Hangers for Joist, image post date 2002, site visited Jan. 6, 2016, (online), <<http://www.wayfair.com/Progress-Lighting-Recessed-Bar-Hangers-for-Joist-PROP873901-L265-K~PG8427.html?refid=DTCPA49-PG8427>>.*

* cited by examiner

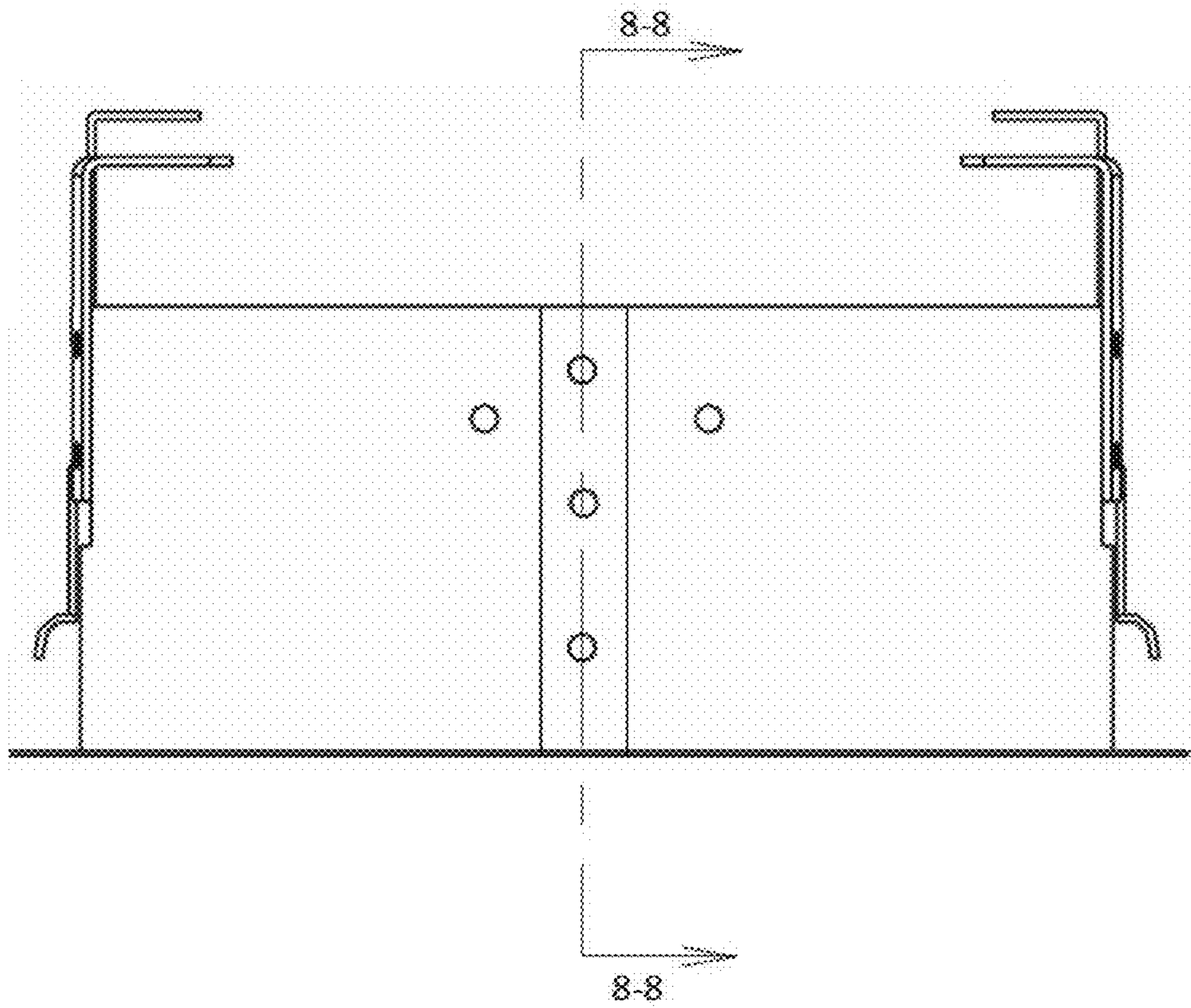


FIG. 1

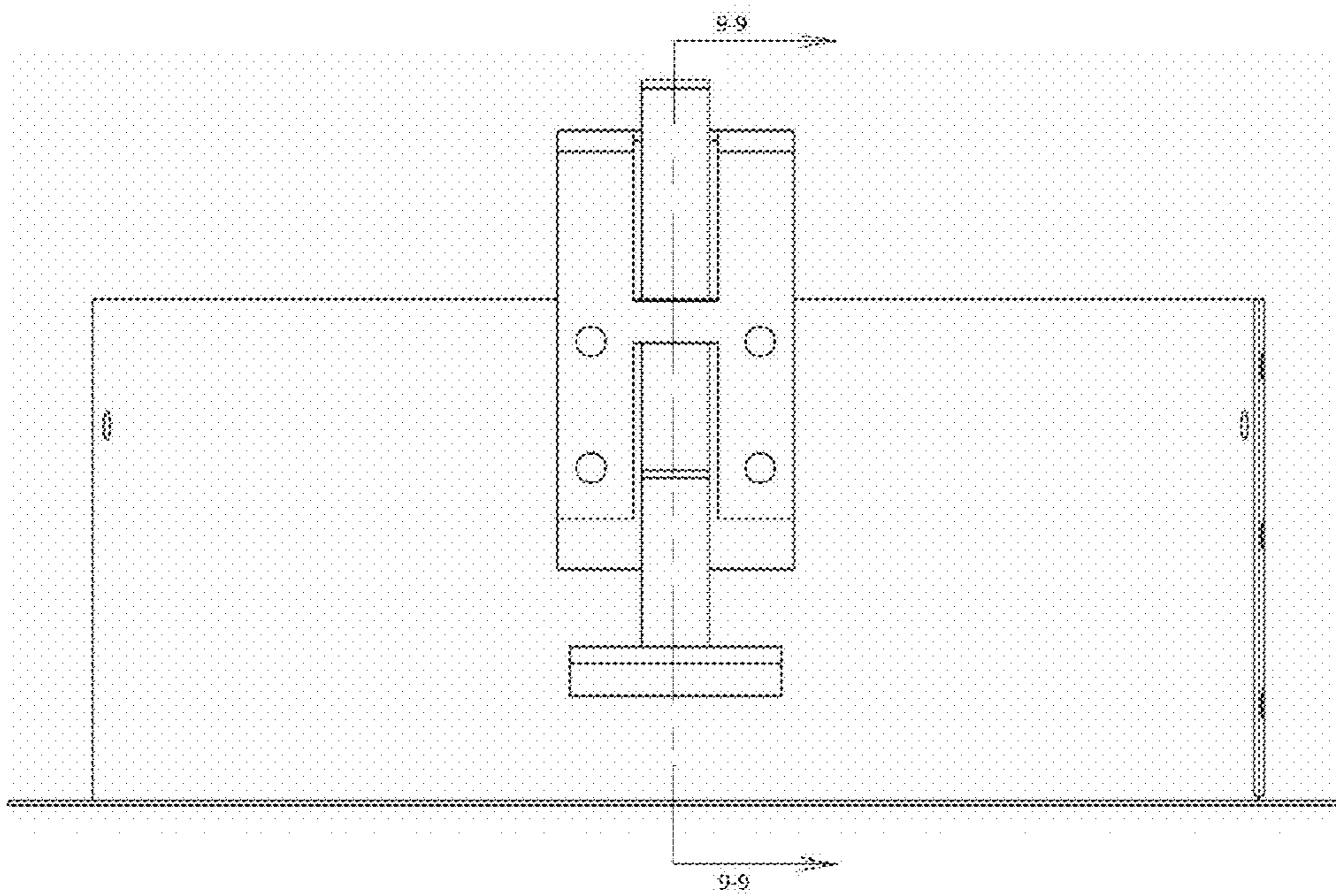


FIG. 2

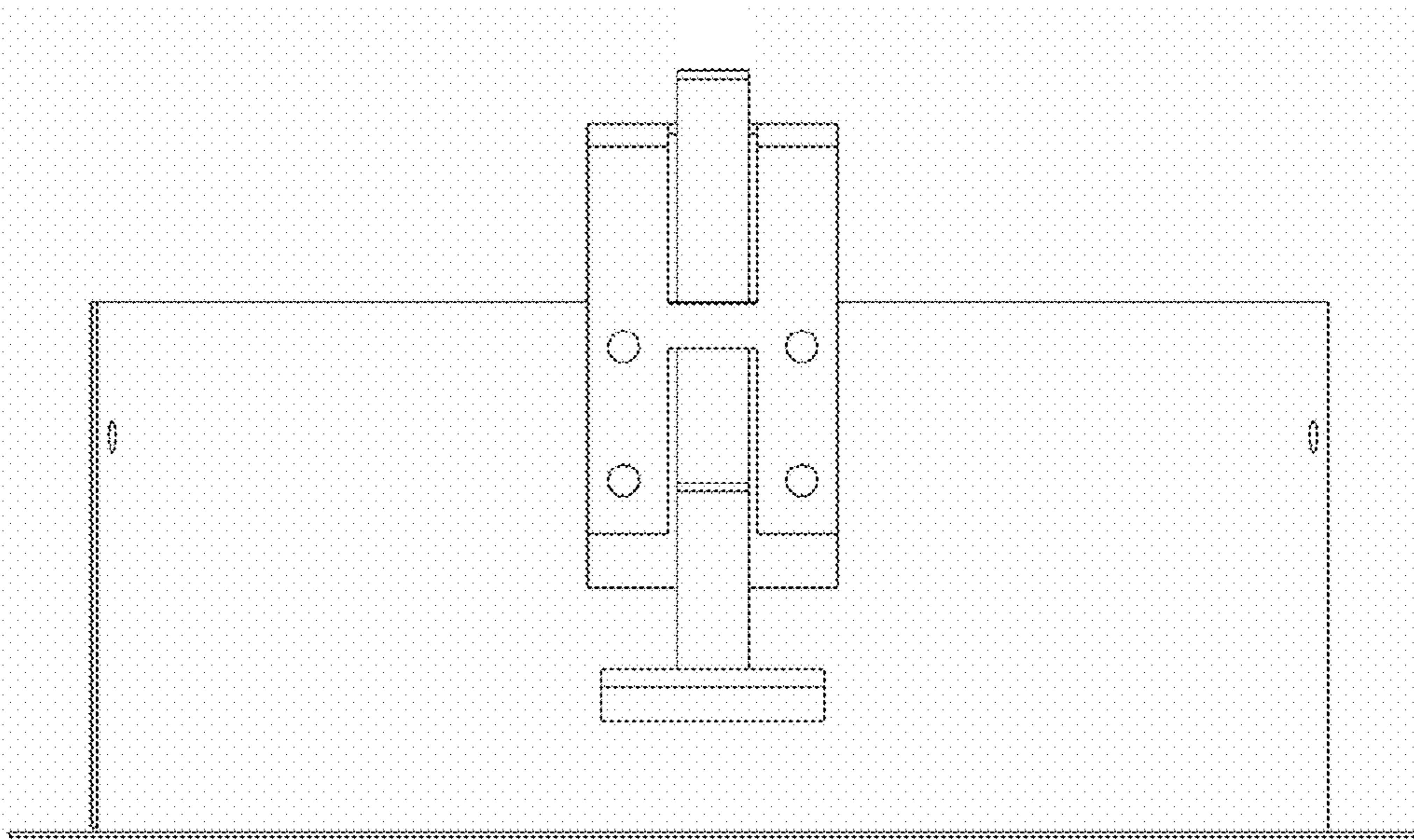


FIG. 3

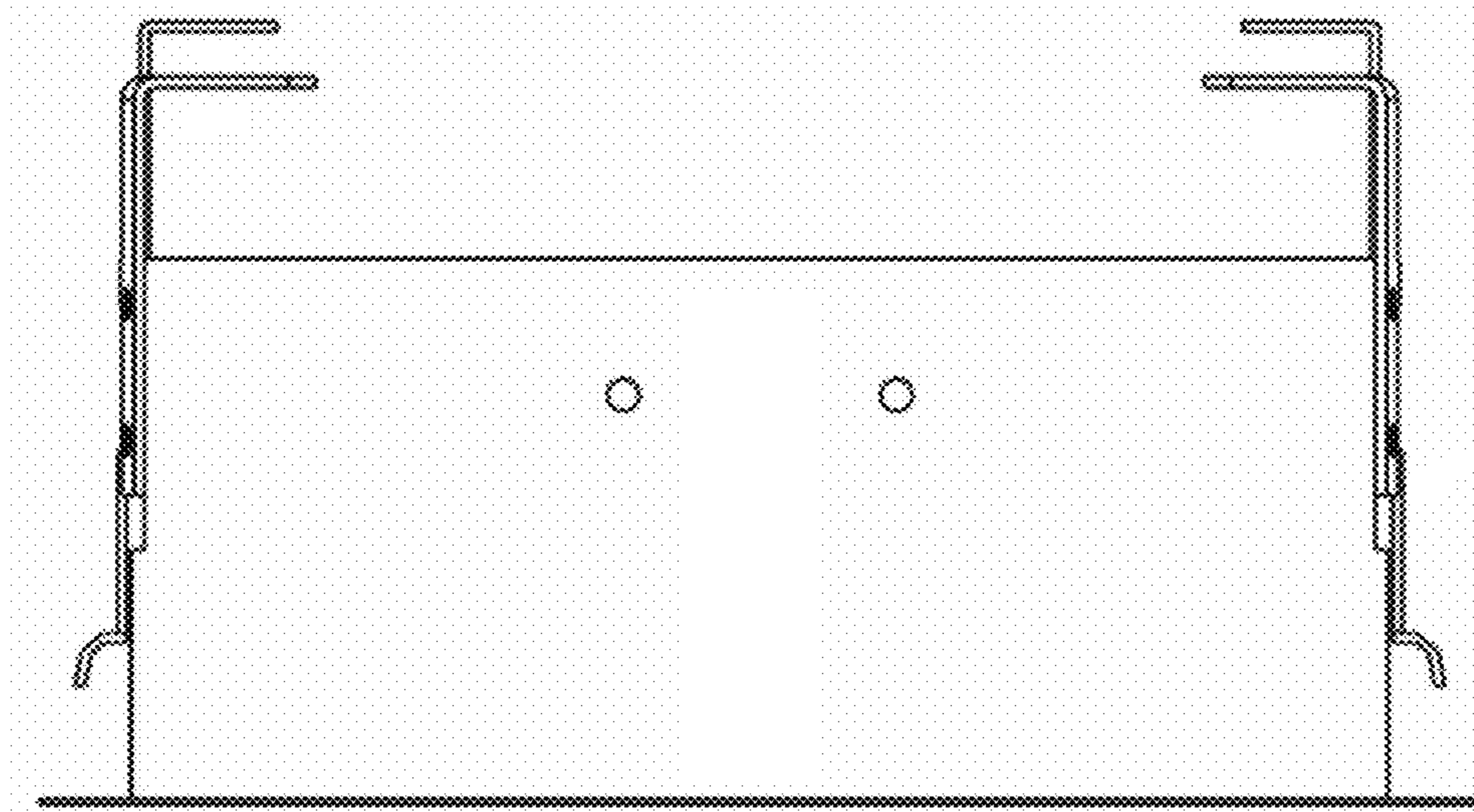


FIG. 4

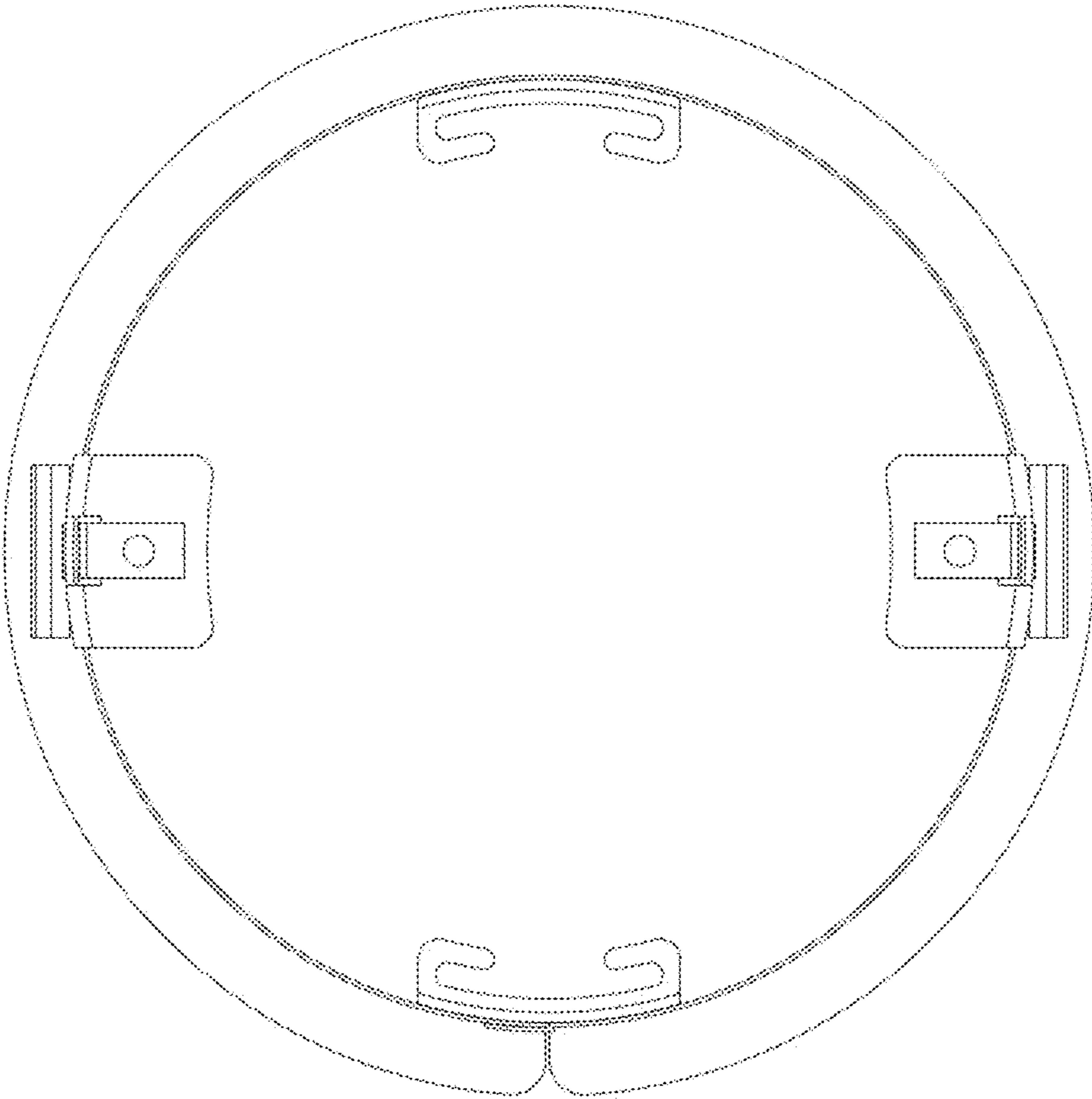


FIG. 5

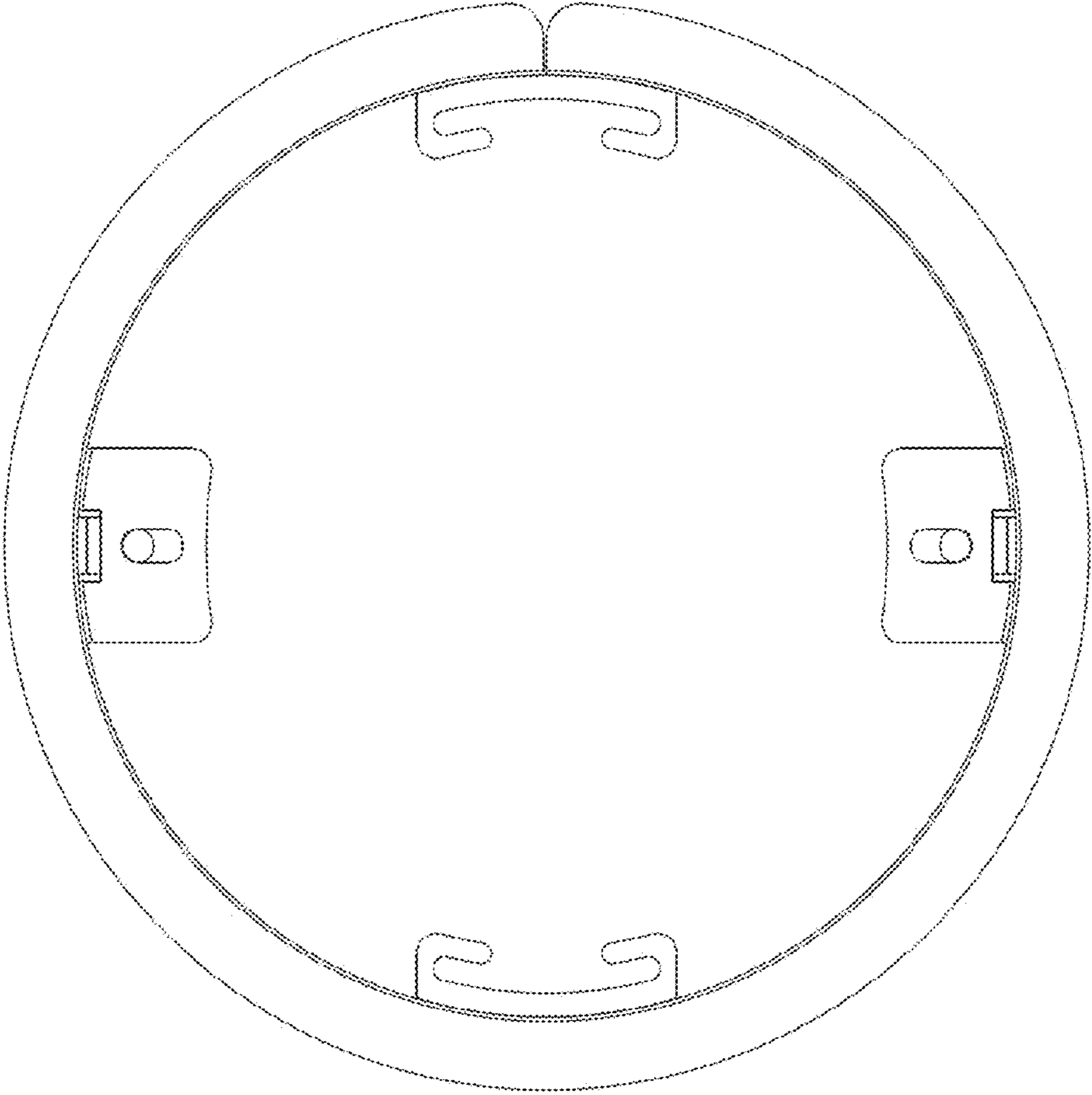


FIG. 6

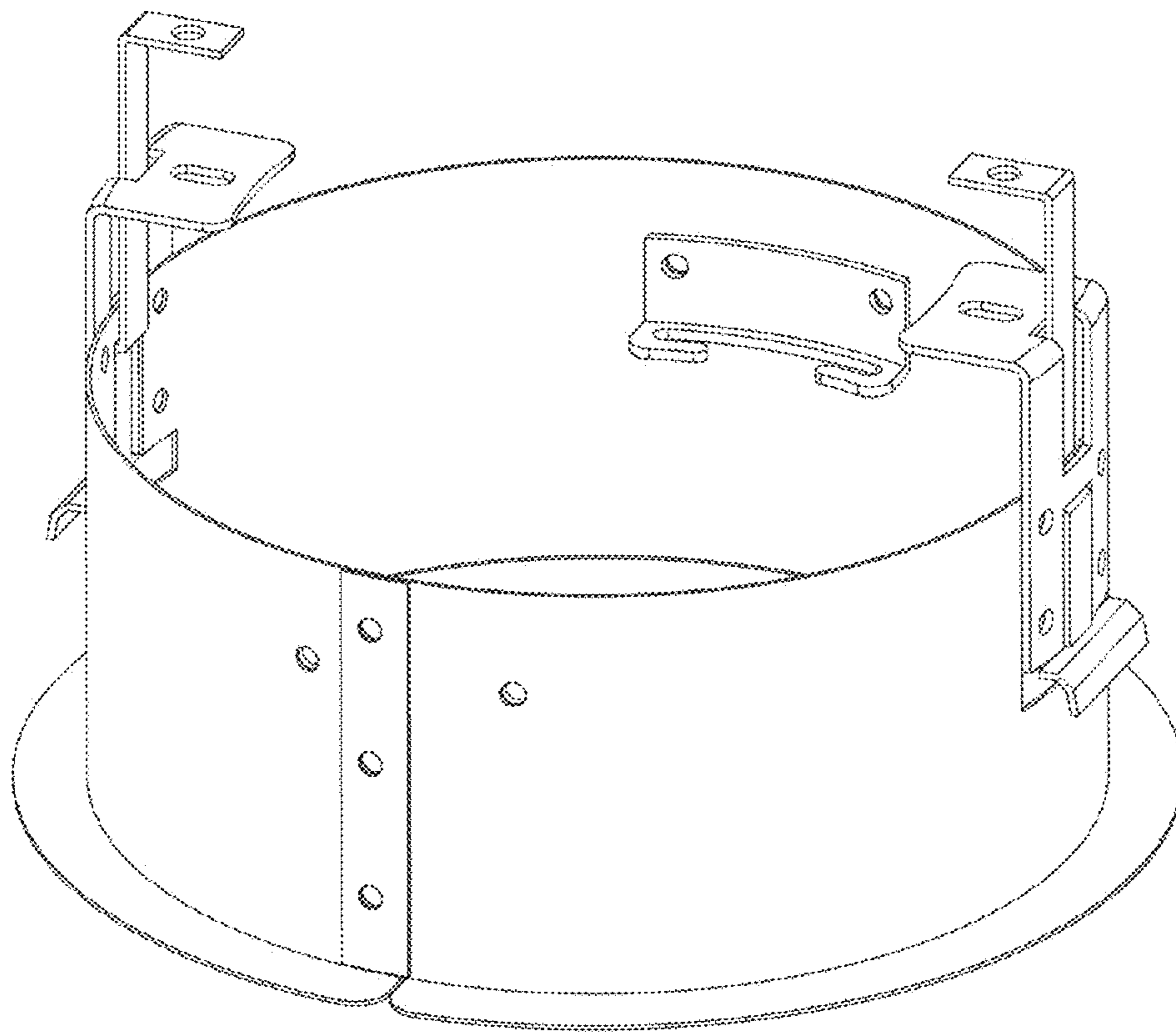


FIG. 7

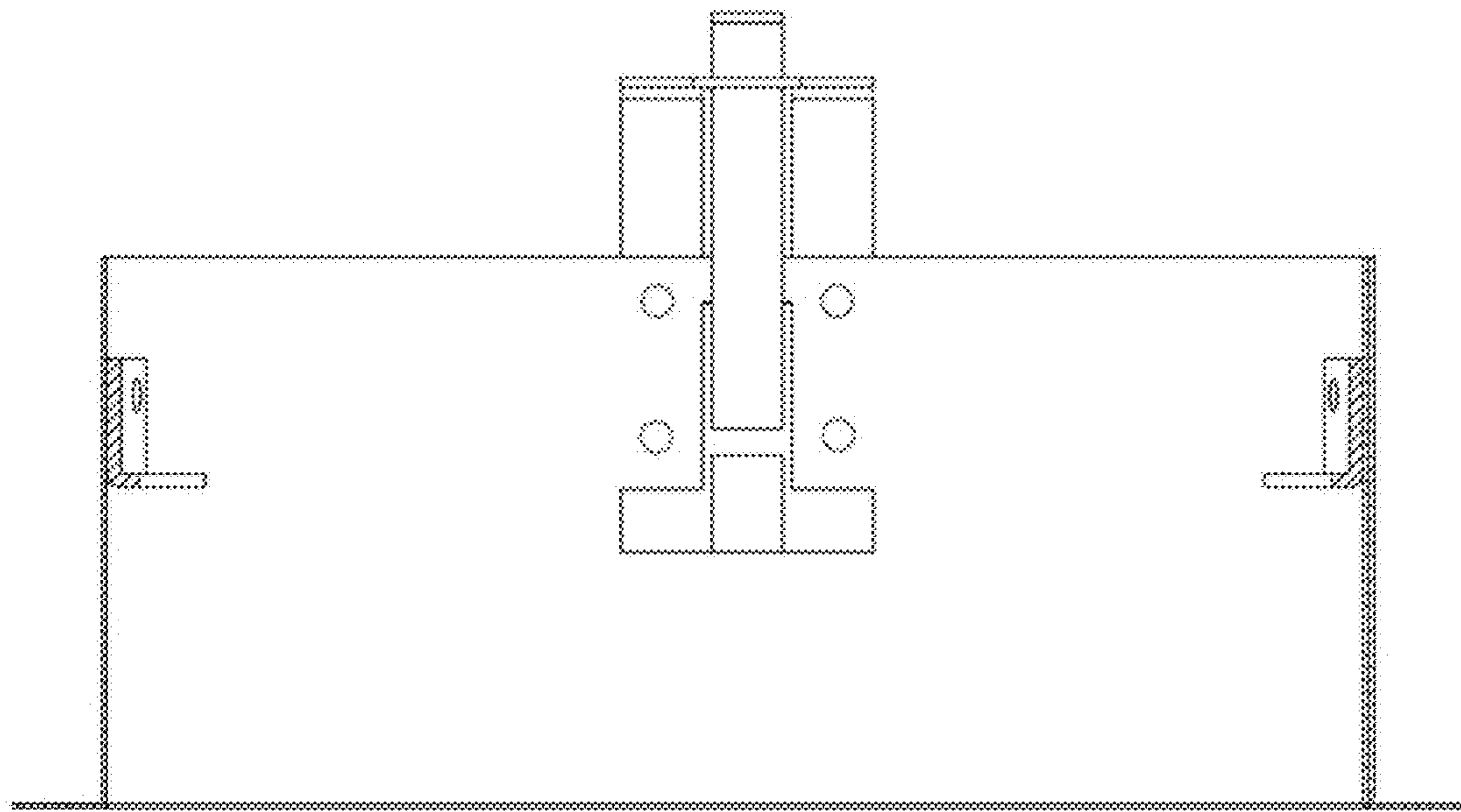


FIG. 8

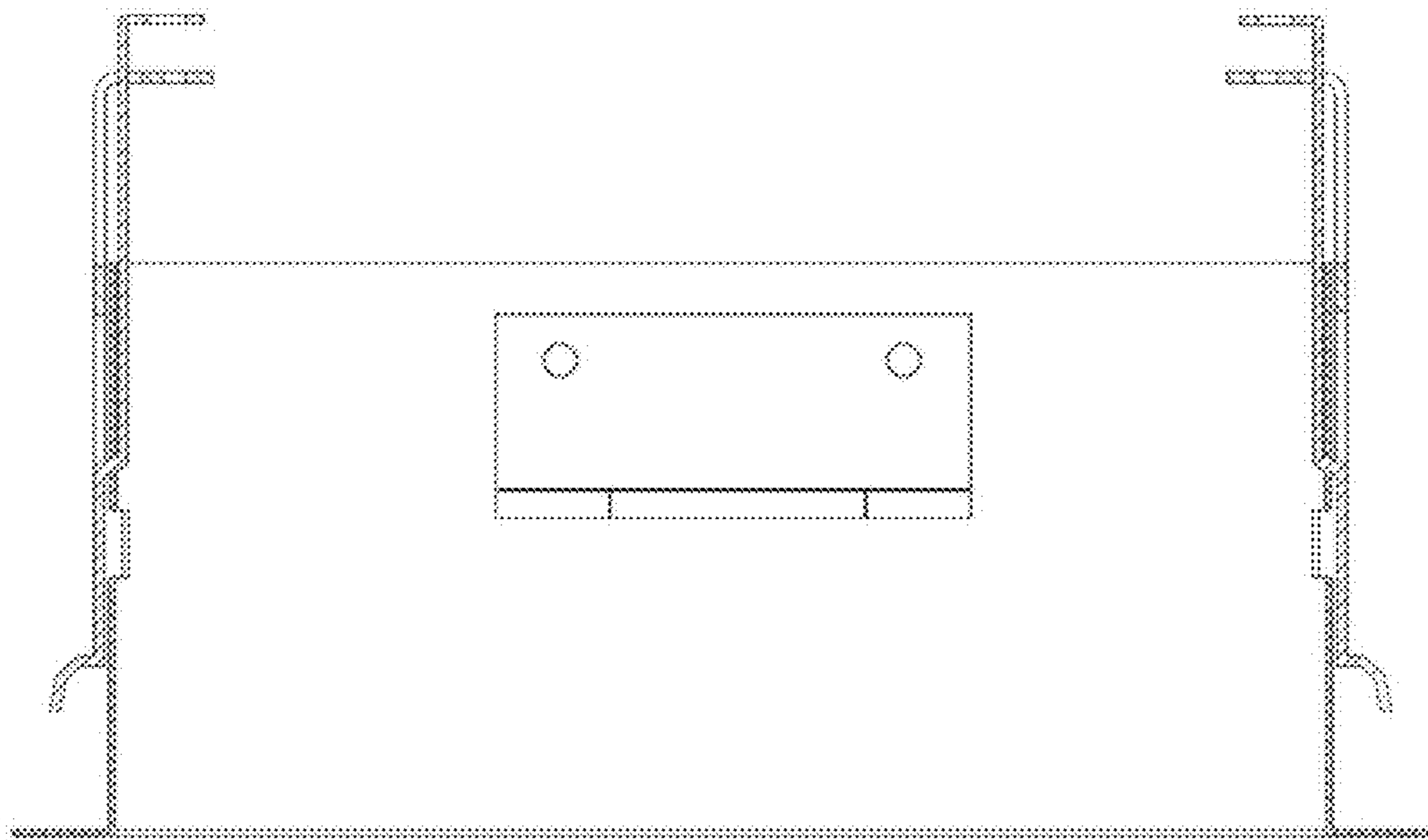


FIG. 9

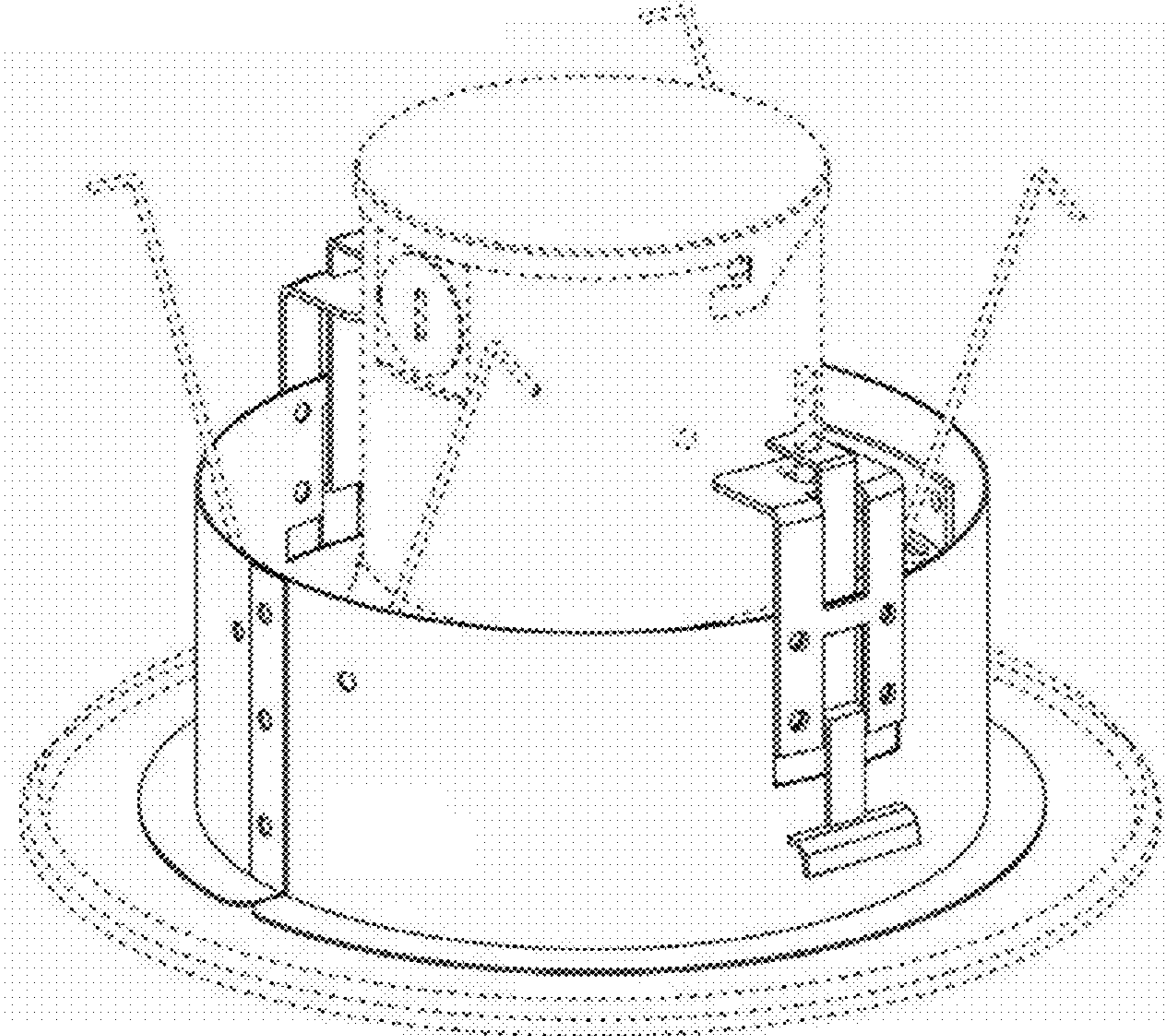


FIG. 10