

US00D763498S

(12) **United States Design Patent**
Payne

(10) **Patent No.:** **US D763,498 S**

(45) **Date of Patent:** **** Aug. 9, 2016**

(54) **UNDERWATER LIGHTING APPARATUS**

8,123,372 B1 * 2/2012 Ball F21S 8/00
362/101

(71) Applicant: **Thomas B. Payne**, Hays, KS (US)

D658,317 S * 4/2012 Eberle D26/24
D689,221 S * 9/2013 Isaac D26/24

(72) Inventor: **Thomas B. Payne**, Hays, KS (US)

* cited by examiner

(**) Term: **14 Years**

Primary Examiner — Brian N Vinson

(21) Appl. No.: **29/512,451**

(74) *Attorney, Agent, or Firm* — Quickpatents, LLC; Kevin Prince

(22) Filed: **Dec. 18, 2014**

(51) **LOC (10) Cl.** **26-03**

(52) **U.S. Cl.**
USPC **D26/112**

(58) **Field of Classification Search**

USPC D24/1, 24, 93, 104, 110, 111, 112

CPC F21S 8/00; F21V 21/20; F21V 31/00;

F21V 9/16; F21V 7/09; F21V 21/30

See application file for complete search history.

(57) **CLAIM**

I claim the ornamental design for an underwater lighting apparatus, as shown and described.

DESCRIPTION

FIG. 1 is a perspective view of an underwater lighting apparatus, showing my new design;

FIG. 2 is a left-side elevational view thereof, the right-side elevational view being a mirror image thereof;

FIG. 3 is a front elevational view thereof;

FIG. 4 is a rear elevational view thereof;

FIG. 5 is a top plan view thereof; and,

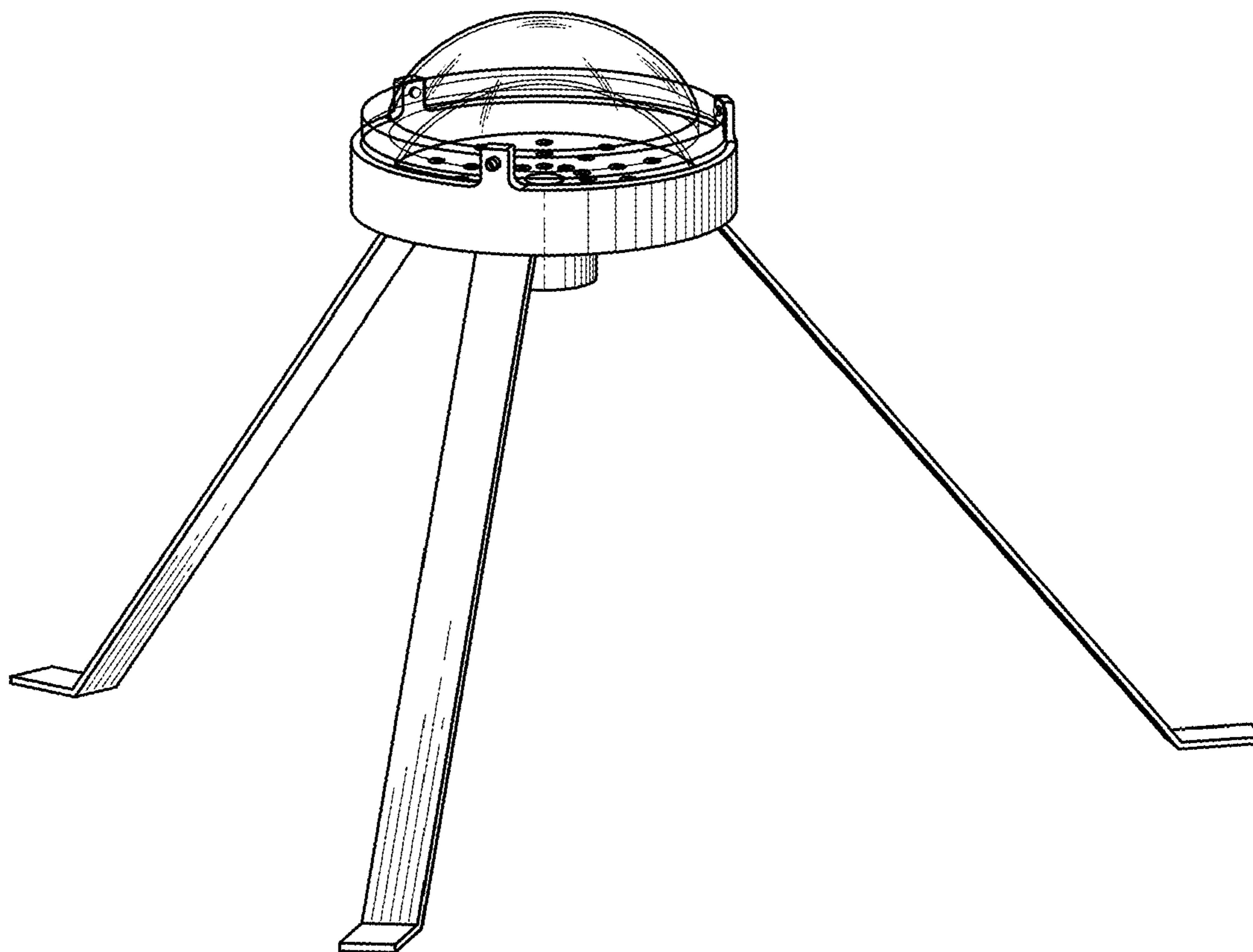
FIG. 6 is a bottom plan view thereof.

(56) **References Cited**

U.S. PATENT DOCUMENTS

D318,137 S * 7/1991 Tew D26/110
D397,488 S * 8/1998 Ball D26/111
7,445,352 B2 * 11/2008 Lin F21S 8/00
362/101

1 Claim, 4 Drawing Sheets



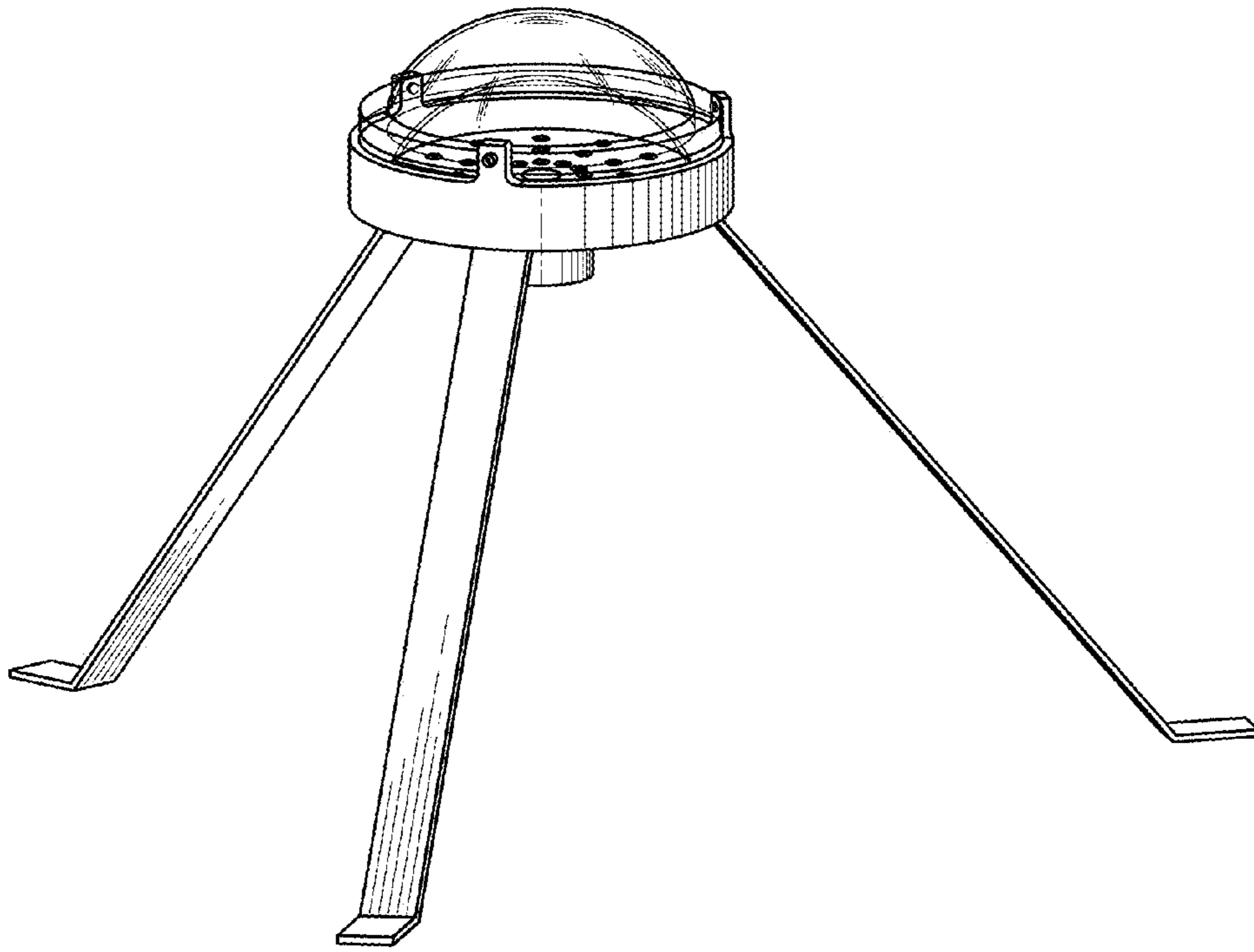


FIG. 1

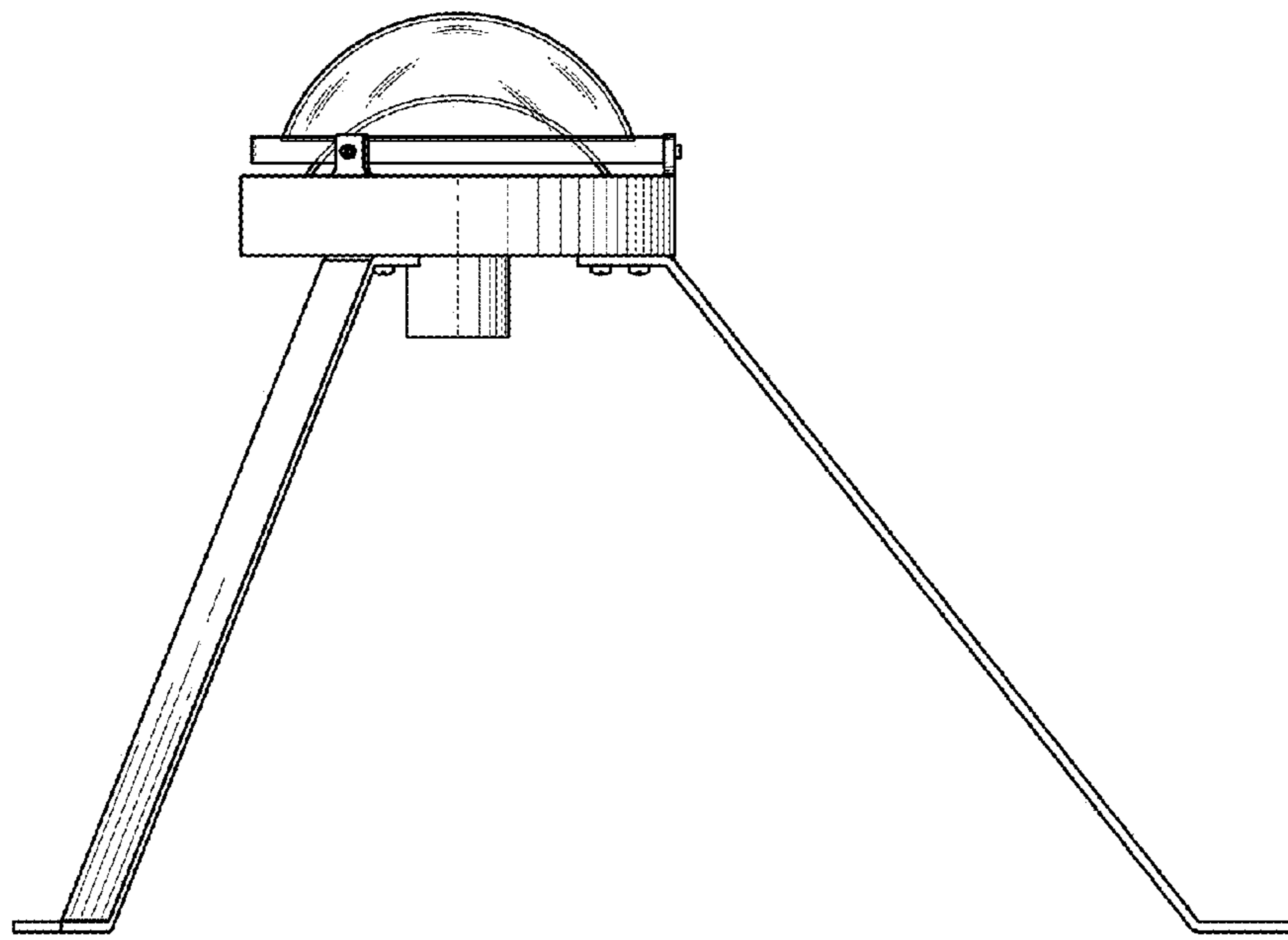


FIG. 2

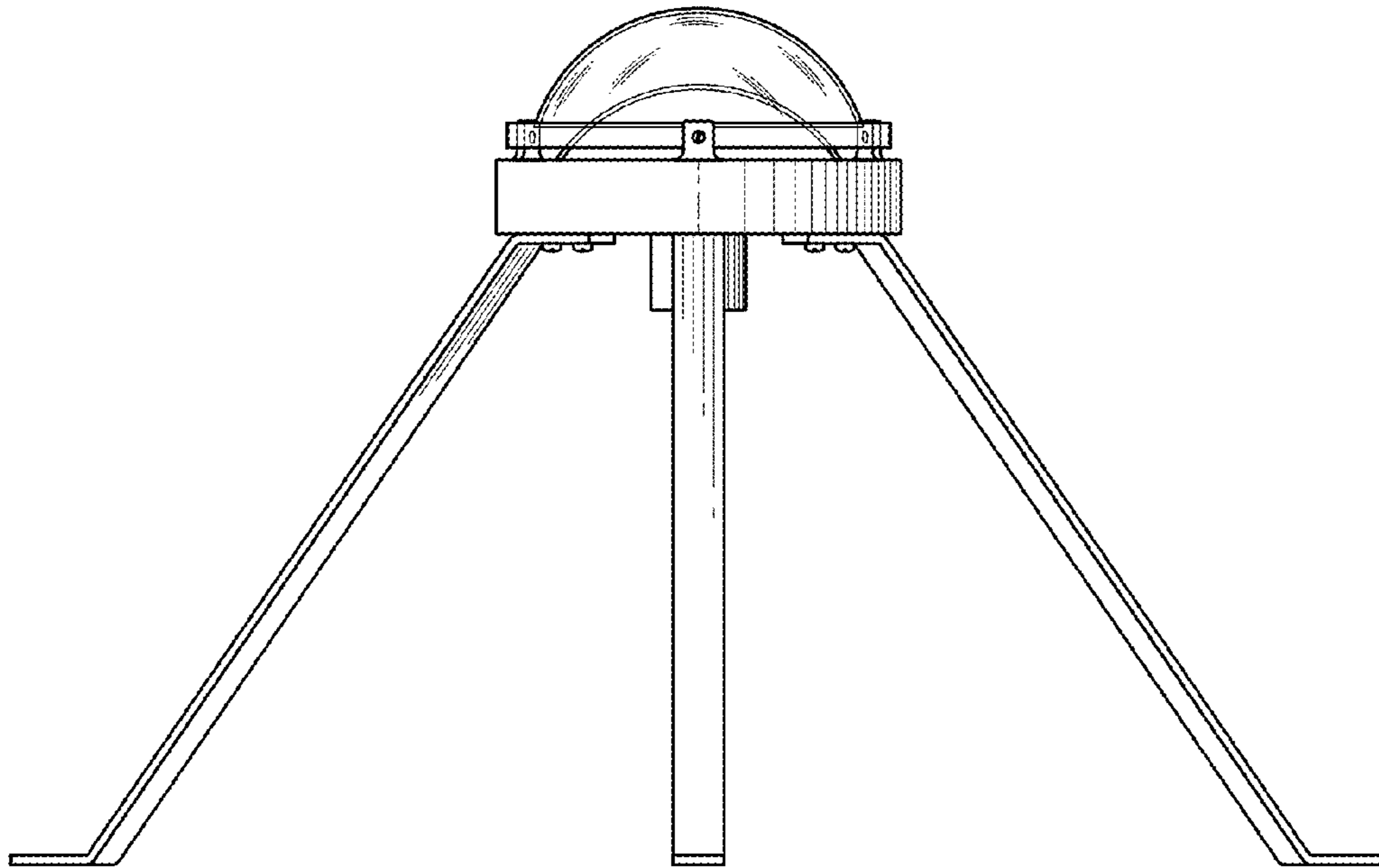


FIG. 3

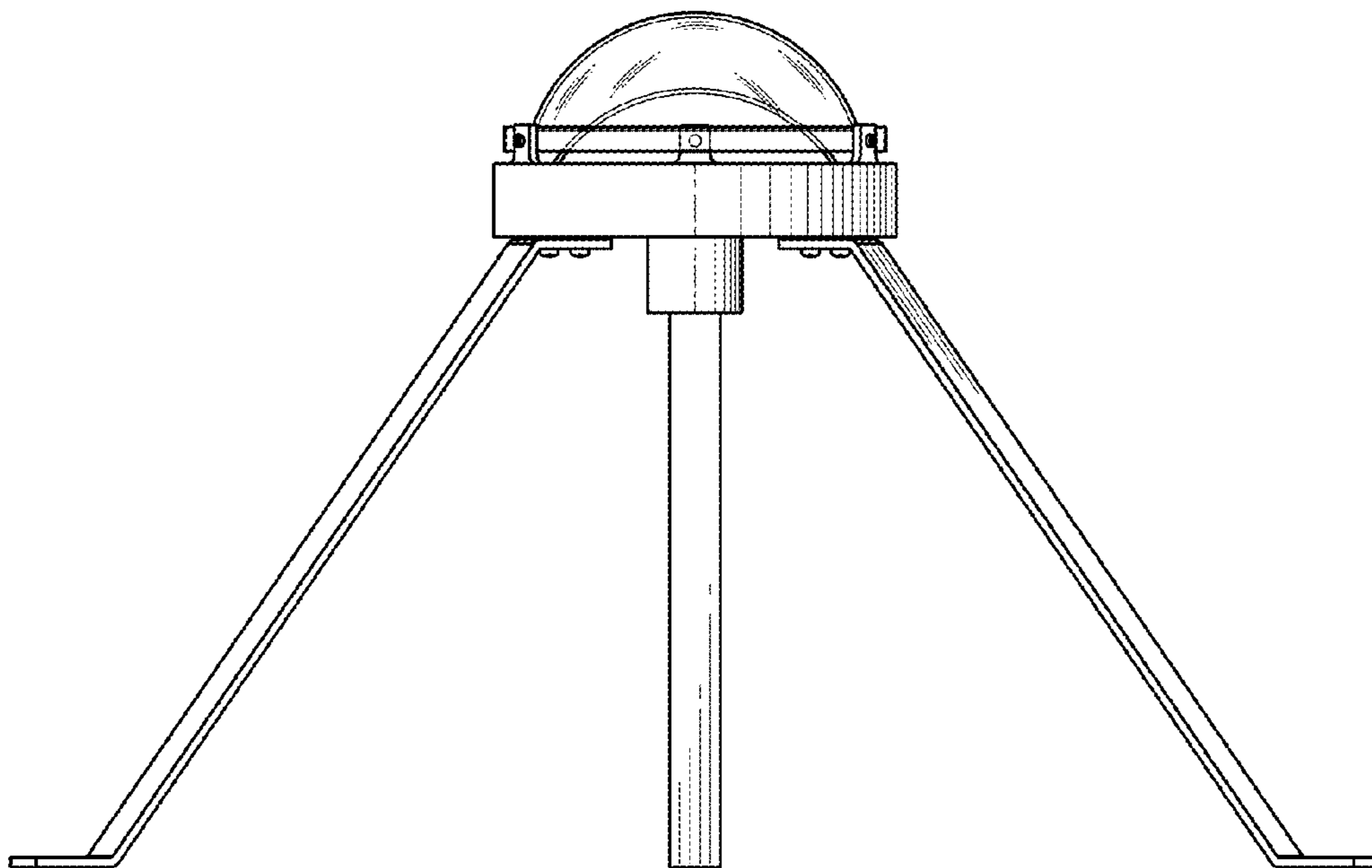


FIG. 4

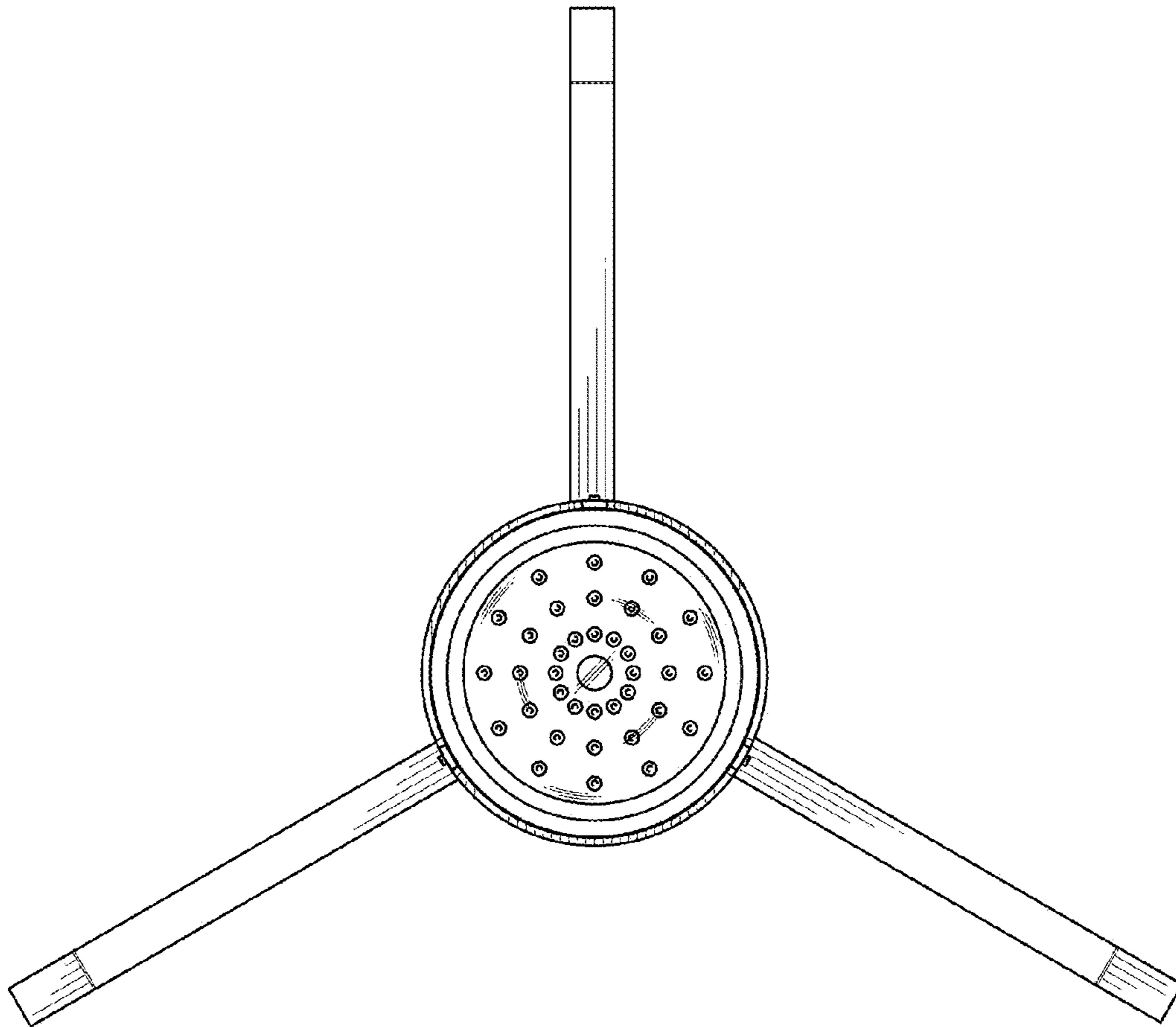


FIG. 5

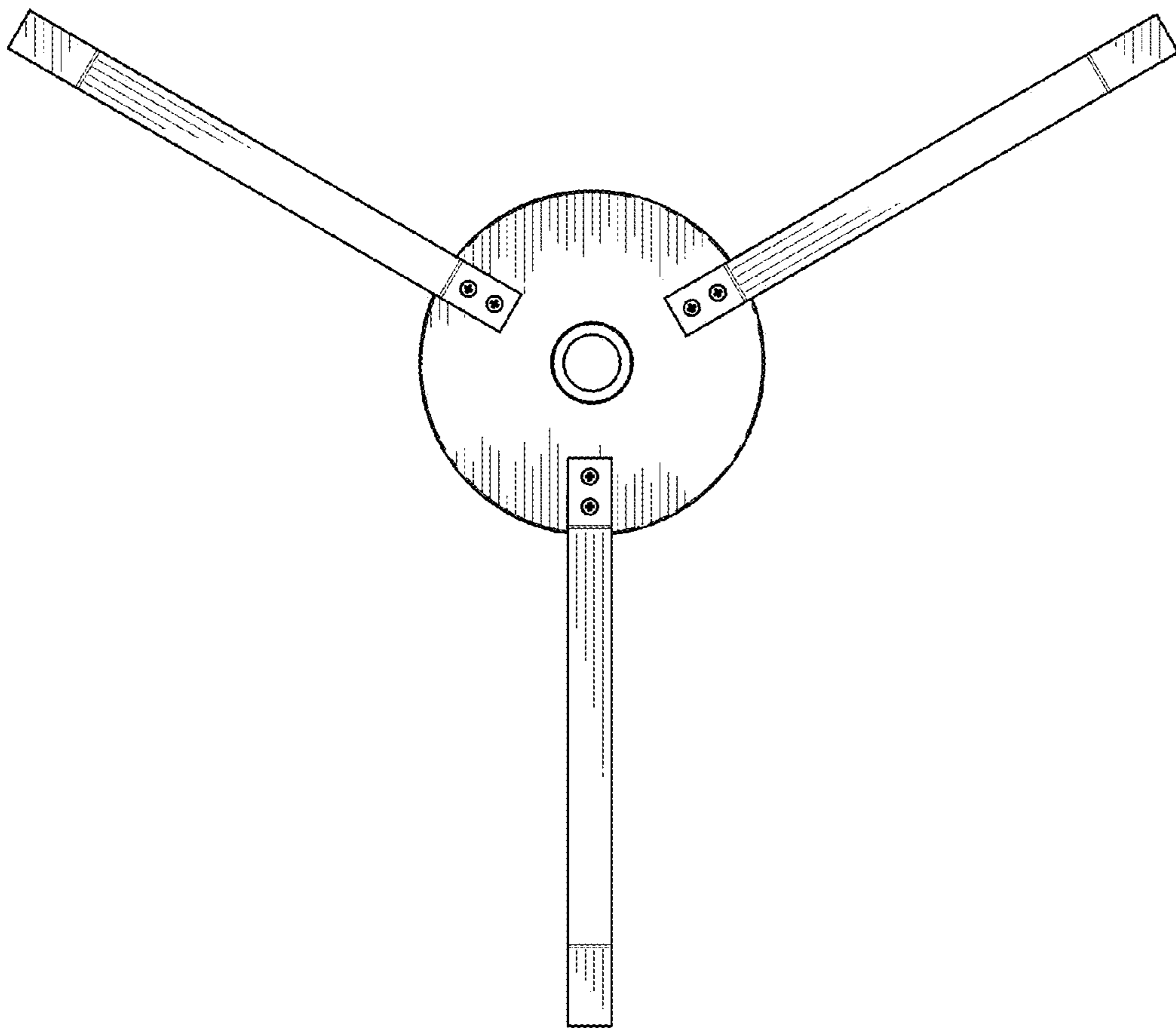


FIG. 6