



US00D763496S

(12) **United States Design Patent**
Tran et al.

(10) **Patent No.:** **US D763,496 S**

(45) **Date of Patent:** **** Aug. 9, 2016**

(54) **LUMINAIRE**

(71) Applicant: **ABL IP Holding, LLC**, Conyers, GA
(US)

(72) Inventors: **Michael Trung Tran**, Oakland, CA
(US); **Peter Y. Y. Ngai**, Alamo, CA (US);
Jeannine Fisher Wang, Oakland, CA
(US)

(73) Assignee: **ABL IP Holding, LLC**, Conyers, GA
(US)

(**) Term: **14 Years**

(21) Appl. No.: **29/525,773**

(22) Filed: **May 1, 2015**

(51) **LOC (10) Cl.** **26-03**

(52) **U.S. Cl.**
USPC **D26/88**; D26/90

(58) **Field of Classification Search**
USPC D26/63, 65, 76, 80-91, 118
CPC F21S 8/06; F21S 8/061; F21S 8/063;
F21S 8/065; F21S 8/068; F21V 3/0418;
F21V 3/0427; F21V 3/0436; F21V 3/0445;
F21V 21/008; F21V 21/104
See application file for complete search history.

(56) **References Cited**

U.S. PATENT DOCUMENTS

D481,149 S *	10/2003	Engel	D26/76
D567,985 S *	4/2008	Komar	D26/84
D584,848 S *	1/2009	Menke	D26/76
D595,446 S *	6/2009	Pedersen	D26/84
D600,394 S *	9/2009	Ambruster	D26/90
D602,626 S *	10/2009	Santoro	D26/76
D633,244 S *	2/2011	Kramer	D26/80
D643,566 S *	8/2011	Hickok	D26/120
D650,509 S *	12/2011	Wegger	D26/90
D654,212 S *	2/2012	Blum	D26/118
D672,914 S	12/2012	Tran et al.		
D675,772 S	2/2013	Tran et al.		
D675,773 S	2/2013	Blum et al.		
D676,997 S	2/2013	Tang et al.		

D679,858 S	4/2013	Tran et al.		
8,430,530 B2	4/2013	Aurongzeb et al.		
D703,864 S *	4/2014	Blum	D26/118
D713,589 S	9/2014	Blum et al.		
D713,591 S *	9/2014	Blum	D26/85
D724,250 S *	3/2015	Tran	D26/85
D730,560 S *	5/2015	Tran	D26/85
D743,086 S *	11/2015	Blum	D26/120
D745,735 S *	12/2015	Tran	D26/80
2006/0274531 A1 *	12/2006	Kopf	F21K 9/00 362/294
2011/0157893 A1 *	6/2011	Ngai	F21S 2/00 362/249.02
2013/0107519 A1 *	5/2013	Kim	F21S 4/22 362/235
2016/0025318 A1 *	1/2016	Skergeth	F21K 9/30 362/217.17

OTHER PUBLICATIONS

U.S. Appl. No. 29/525,774, filed May 1, 2015.

* cited by examiner

Primary Examiner — Clare E Heflin

(74) *Attorney, Agent, or Firm* — Beeson Skinner Beverly, LLP

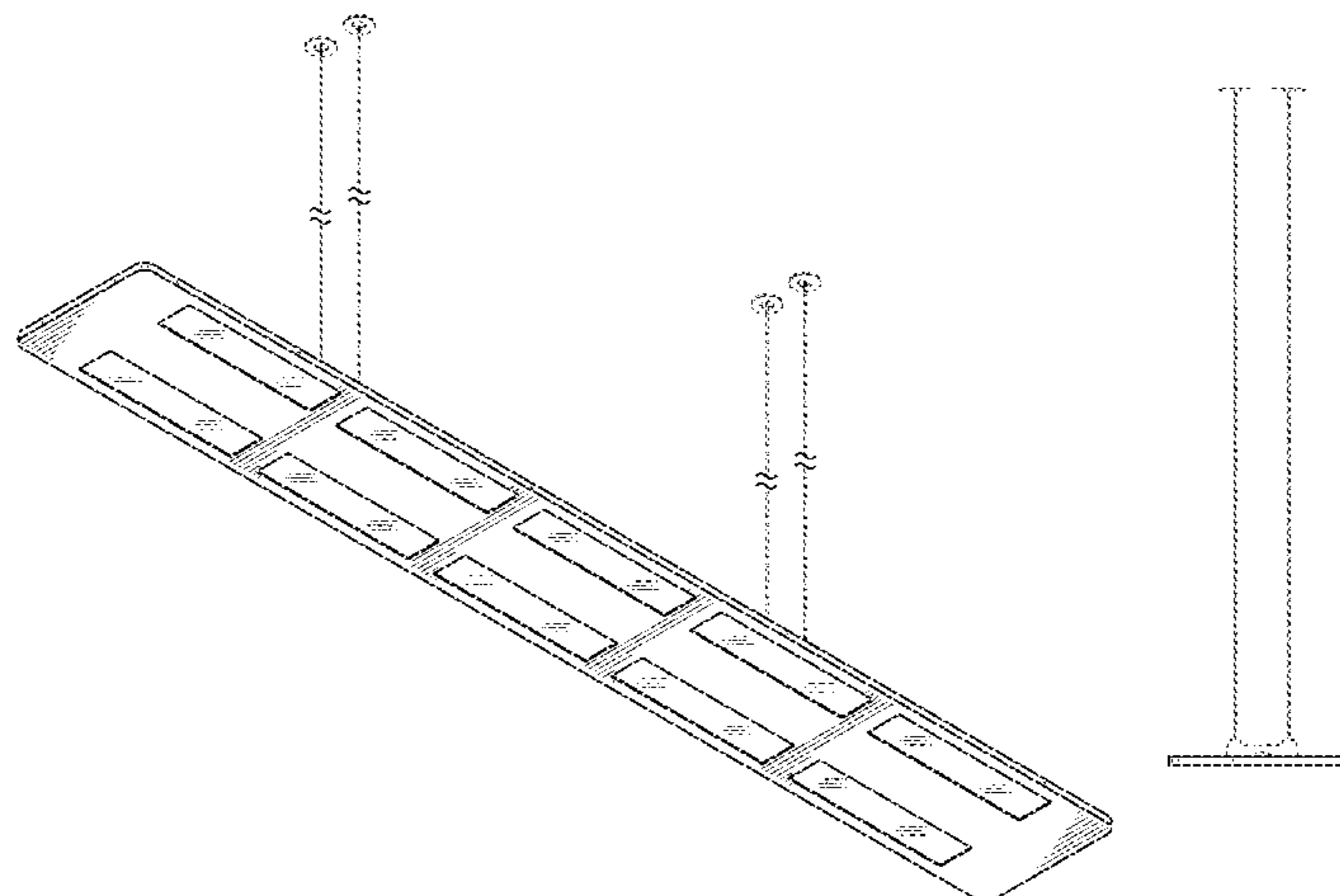
(57) **CLAIM**

The ornamental design for a luminaire, as shown and described.

DESCRIPTION

FIG. 1 is a bottom perspective view of a luminaire showing our new design;
 FIG. 2 is a side elevational view thereof, the opposite side being a mirror image;
 FIG. 3 is an end elevational view thereof, the opposite end being a mirror image; and,
 FIG. 4 is a bottom plan view thereof.
 The broken vertical lines shown in FIGS. 1-3 represent suspension cables; the broken line discs shown in FIGS. 1-3 at the top of the suspension cables represent ceiling plates; and the remaining broken lines in FIGS. 1-3 represent raised structure and cable attachment hardware on top of the luminaire. The suspension cables, ceiling plates, raised structure, and cable attachment hardware form no part of our claimed design.

1 Claim, 2 Drawing Sheets



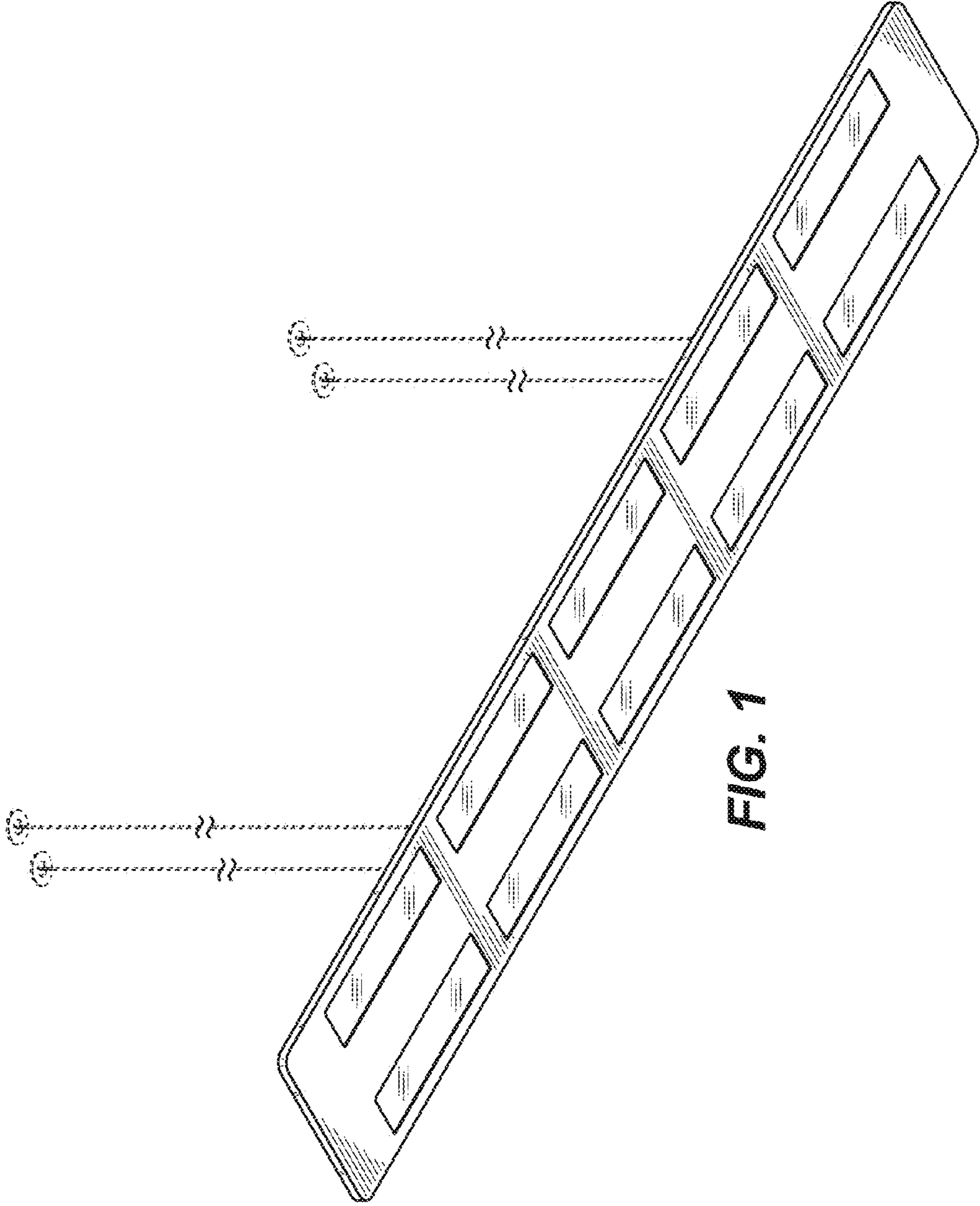


FIG. 1

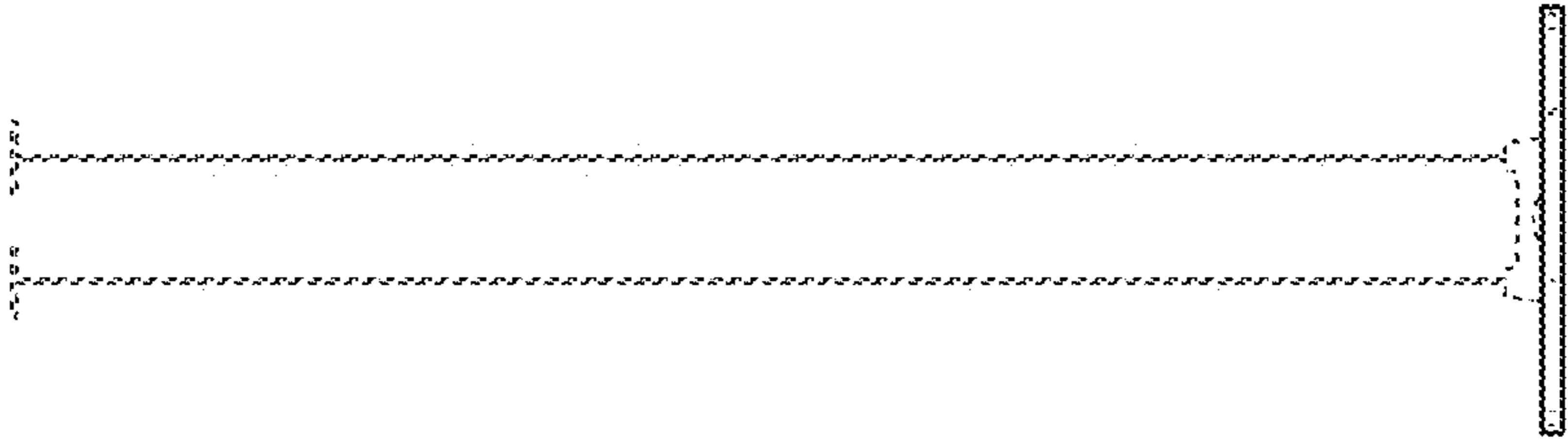


FIG. 3

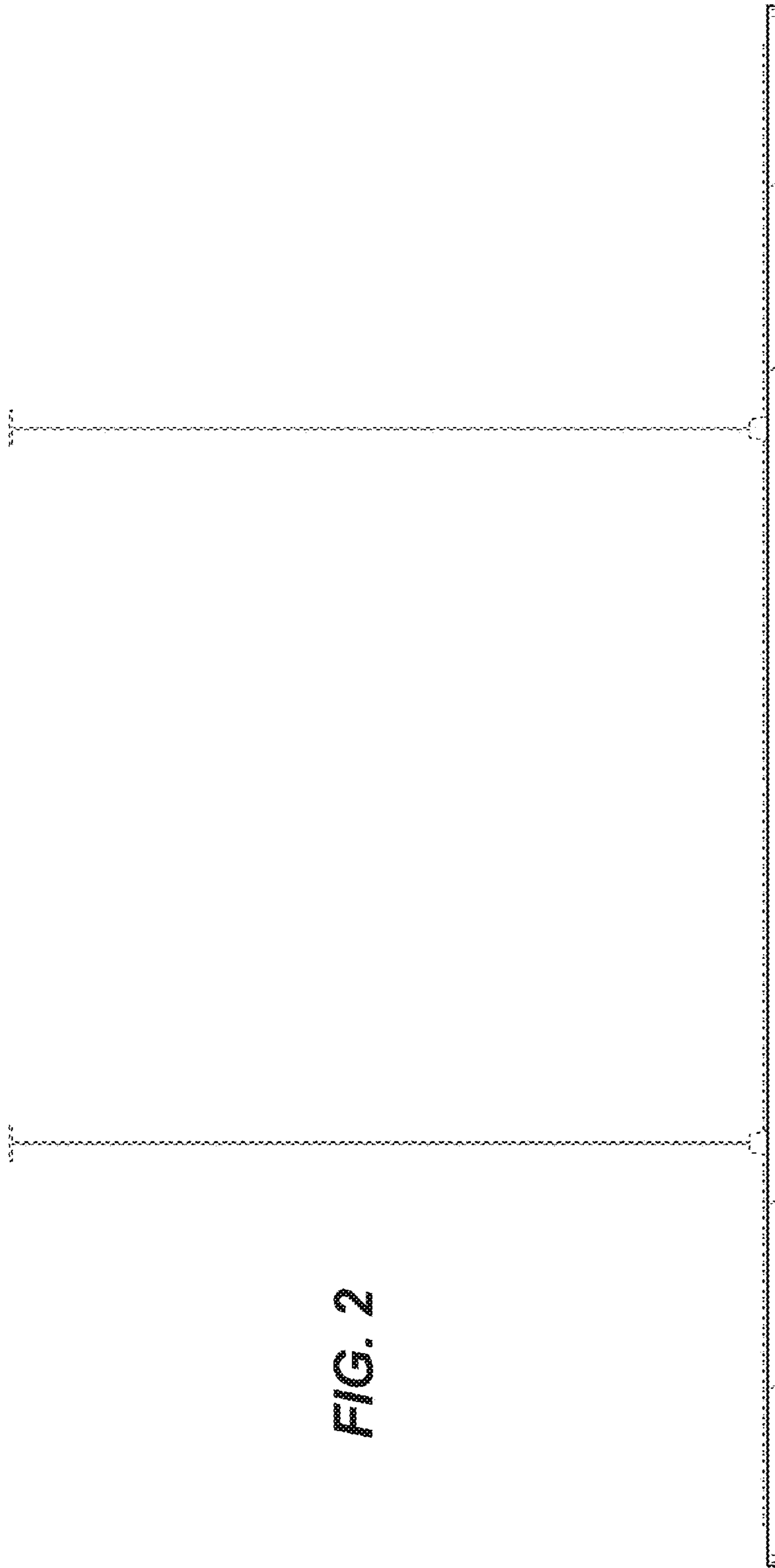


FIG. 2

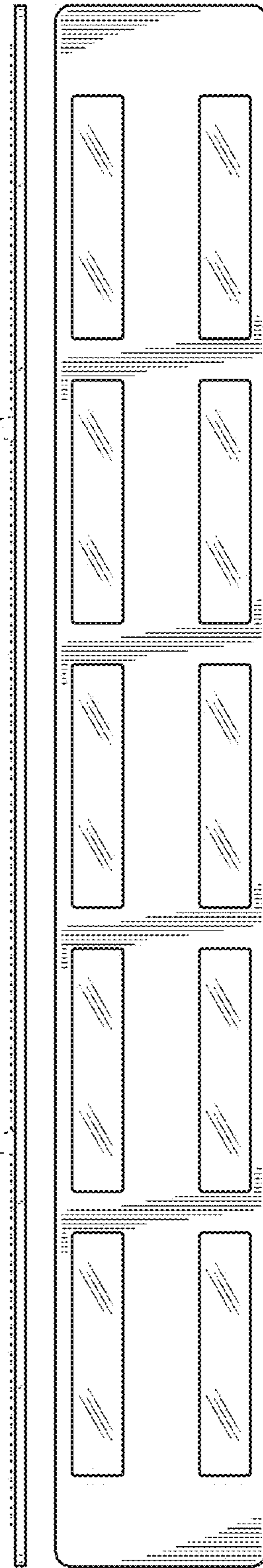


FIG. 4