



US00D763491S

(12) **United States Design Patent**  
**Tsai et al.**

(10) **Patent No.:** **US D763,491 S**  
(45) **Date of Patent:** **\*\* Aug. 9, 2016**

(54) **COVER LENS FOR AN AUTOMOTIVE LAMP**

(56)

**References Cited**

(71) Applicants: **Hsi-Hsien Tsai**, Tainan (TW);  
**Chao-Ming Chang**, Tainan (TW)  
(72) Inventors: **Hsi-Hsien Tsai**, Tainan (TW);  
**Chao-Ming Chang**, Tainan (TW)  
(73) Assignee: **LUCIDITY ENTERPRISE CO., LTD.**,  
Annan Dist., Tainan (TW)  
(\*\*) Term: **15 Years**

U.S. PATENT DOCUMENTS

D492,804 S *	7/2004	Horowitz	.....	D26/28
D560,829 S *	1/2008	Mason, II	.....	D26/28
D617,474 S *	6/2010	Huang	.....	D26/2
D711,565 S *	8/2014	Tsai	.....	D26/28
D712,076 S *	8/2014	Haumann	.....	D26/28
D715,469 S *	10/2014	Chou	.....	D26/28
D715,976 S *	10/2014	Chou	.....	D26/28
9,062,845 B1 *	6/2015	Tsai	.....	F21S 48/2212
D734,515 S *	7/2015	Chen	.....	D26/28
D738,014 S *	9/2015	Lin	.....	D26/28
D745,713 S *	12/2015	Hansen	.....	D26/28
D747,018 S *	1/2016	Hansen	.....	D26/28
D748,831 S *	2/2016	Fan	.....	D26/28

\* cited by examiner

*Primary Examiner* — Angela J Lee

(21) Appl. No.: **29/530,443**  
(22) Filed: **Jun. 16, 2015**  
(51) **LOC (10) Cl.** ..... **26-07**  
(52) **U.S. Cl.**  
USPC ..... **D26/28**  
(58) **Field of Classification Search**  
USPC ..... D26/28-36; 362/459-468, 475-478,  
362/485-487  
CPC ..... F21S 48/00; F21S 48/10; F21S 48/115;  
F21S 48/225; F21S 48/1233; F21S 48/1266;  
F21S 48/1388; F21S 48/2268; F21S 21/04  
See application file for complete search history.

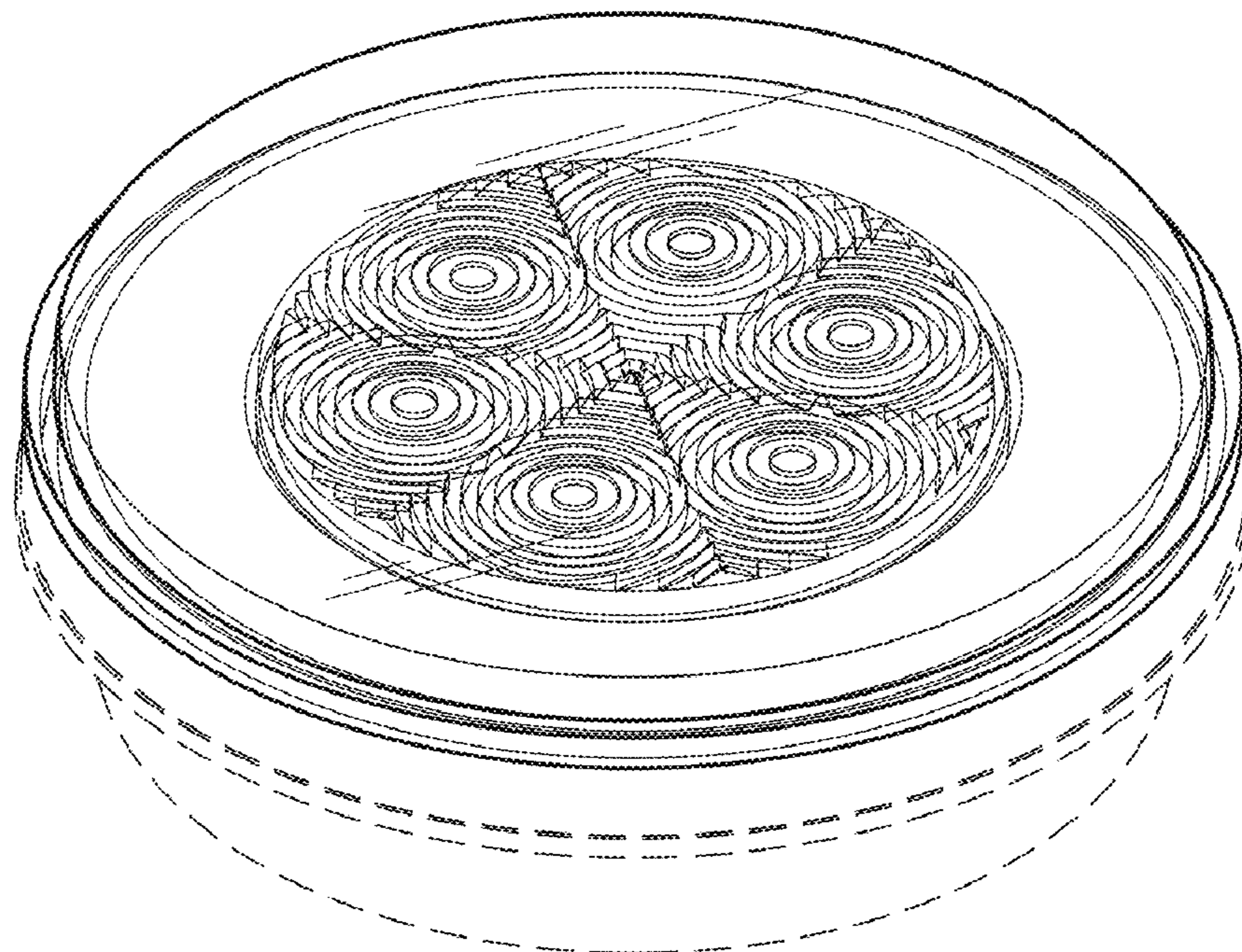
(57) **CLAIM**

The ornamental design for a cover lens for an automotive lamp, as shown and described.

**DESCRIPTION**

FIG. 1 is a perspective view of a cover lens for an automotive lamp showing my design;  
FIG. 2 is a front elevational view thereof;  
FIG. 3 is a rear elevational view thereof;  
FIG. 4 is a left side elevational view thereof;  
FIG. 5 is a right side elevational view thereof;  
FIG. 6 is a top plan view thereof; and,  
FIG. 7 is a bottom plan view.

**1 Claim, 5 Drawing Sheets**



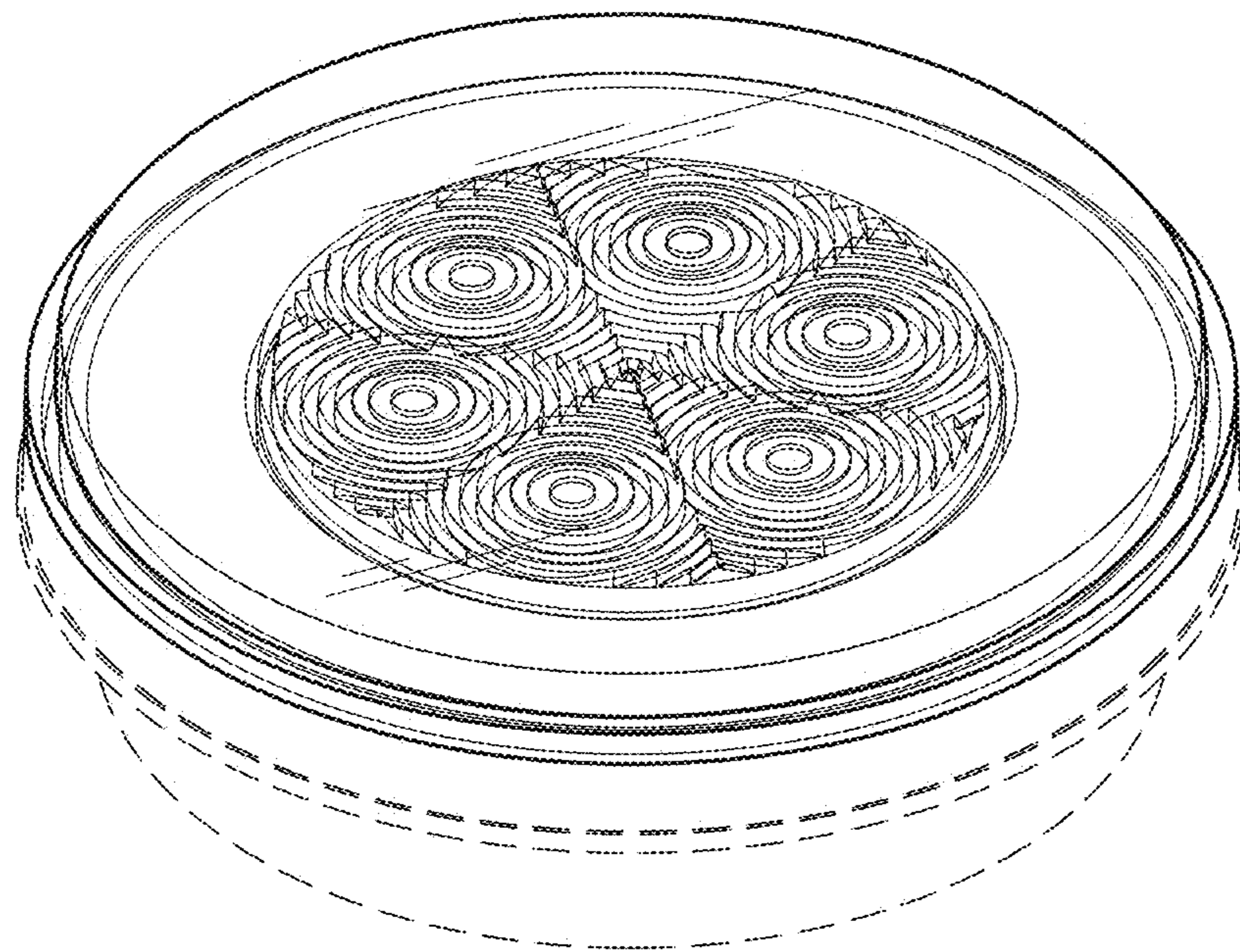


FIG. 1

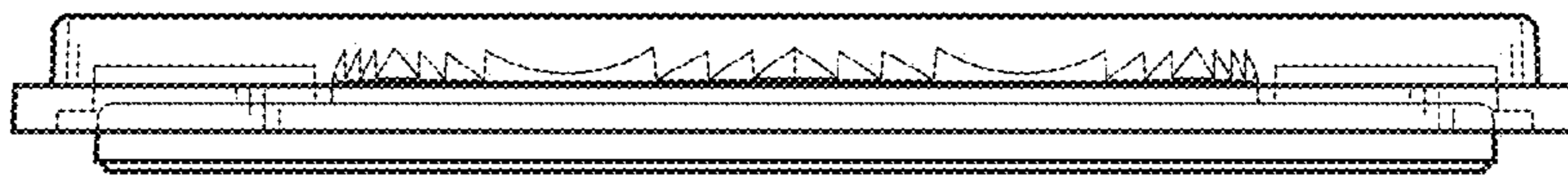


FIG.2

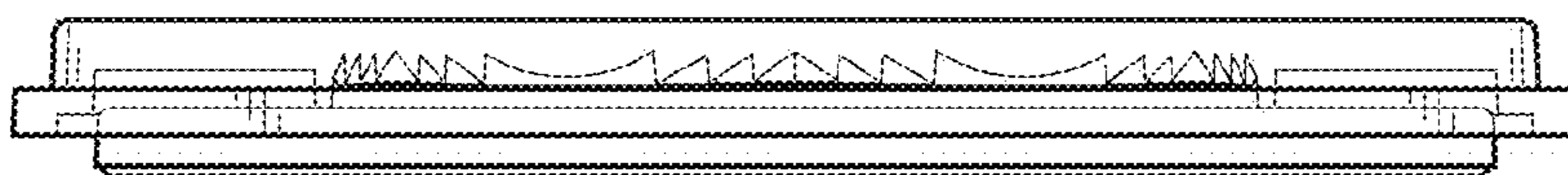


FIG.3

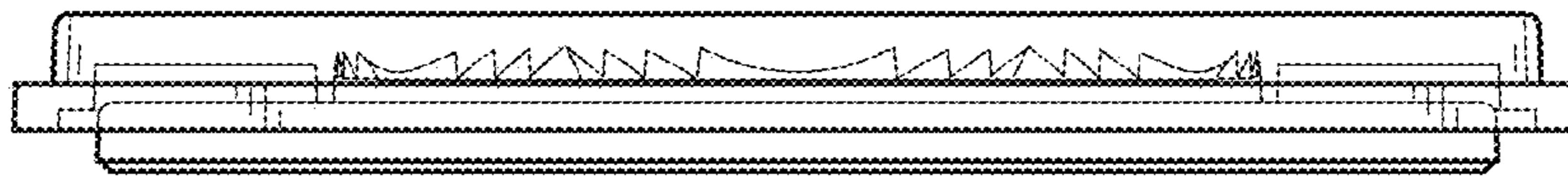


FIG.4

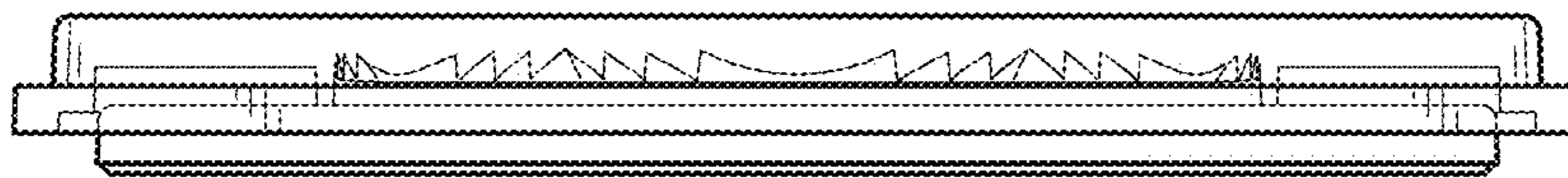


FIG.5

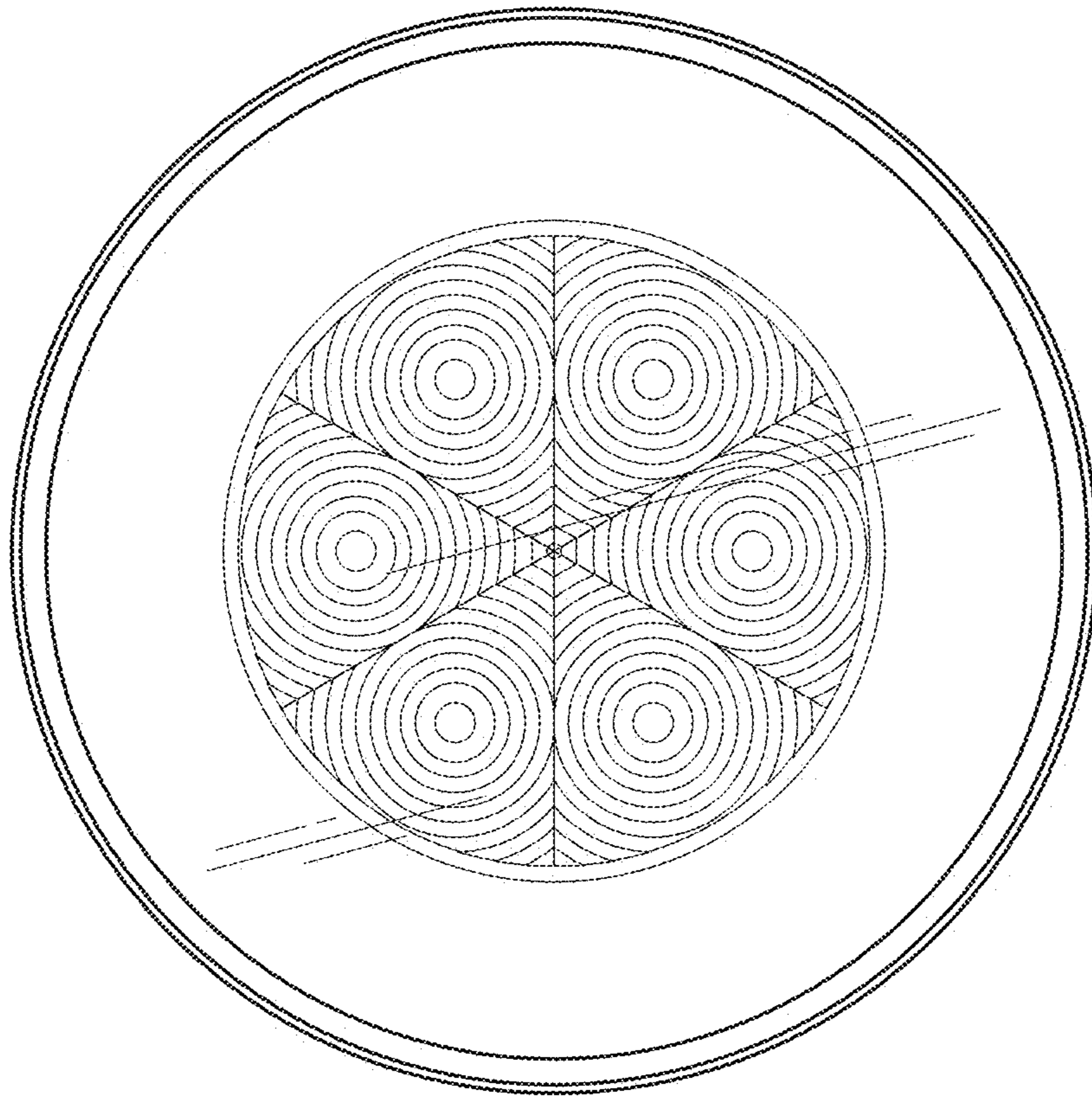


FIG. 6

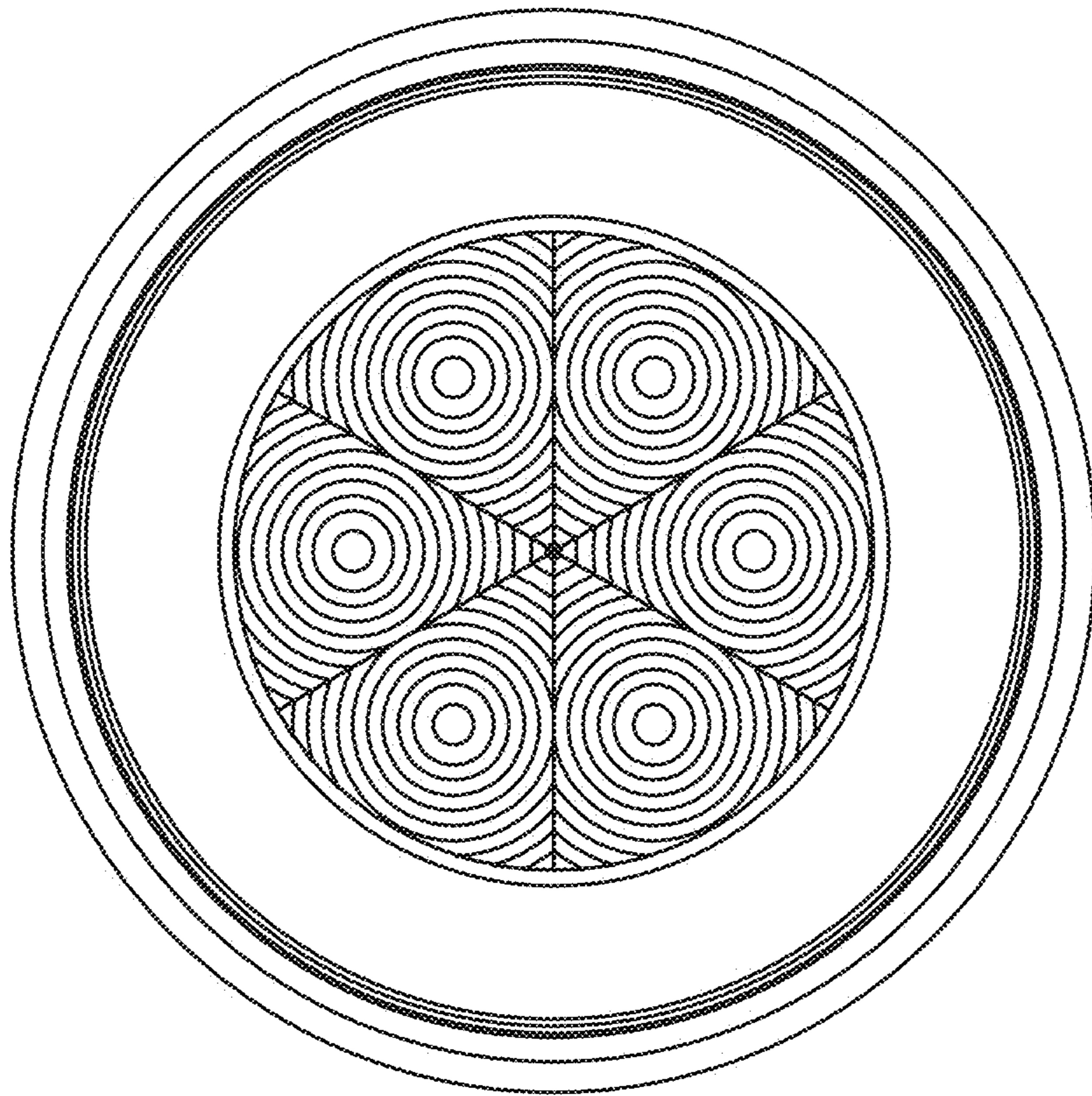


FIG. 7