



US00D763490S

(12) **United States Design Patent**
Allen

(10) **Patent No.:** **US D763,490 S**
(45) **Date of Patent:** **** Aug. 9, 2016**

(54) **REAR COMBINATION LAMP FOR AN AUTOMOBILE**

(71) Applicant: **Nissan Motor Co., Ltd.**, Yokohama, Kanagawa (JP)

(72) Inventor: **Diane Allen**, San Diego, CA (US)

(73) Assignee: **Nissan Motor Co., Ltd.**, Yokohama (JP)

(**) Term: **14 Years**

(21) Appl. No.: **29/525,549**

(22) Filed: **Apr. 30, 2015**

(30) **Foreign Application Priority Data**

Nov. 12, 2014 (JP) 2014-025244

(51) **LOC (10) Cl.** **26-06**

(52) **U.S. Cl.**
USPC **D26/28**

(58) **Field of Classification Search**

USPC D26/28-36; 362/61, 80-83, 267-269, 362/459-468, 475-478, 485-487

CPC F21S 48/00; F21S 48/10; F21S 48/115; F21S 48/225; F21S 48/1233; F21S 48/1266; F21S 48/1388; F21S 48/2268; F21V 5/00

See application file for complete search history.

(56) **References Cited**

U.S. PATENT DOCUMENTS

D526,426 S * 8/2006 Fukui D26/28
D611,175 S * 3/2010 Elliott D26/28

(Continued)

FOREIGN PATENT DOCUMENTS

JP D1232059 S 3/2005
JP D1259292 S 12/2005

(Continued)

Primary Examiner — Marcus Jackson

(74) *Attorney, Agent, or Firm* — Global IP Counselors, LLP

(57) **CLAIM**

The ornamental design for a rear combination lamp for an automobile, as shown and described.

DESCRIPTION

FIG. 1 is a front elevational view of a rear combination lamp for an automobile in accordance with a first embodiment of our new design;

FIG. 2 is a rear elevational view of the rear combination lamp in accordance with the first embodiment of our new design of FIG. 1;

FIG. 3 is a top plan view of the rear combination lamp in accordance with the first embodiment of our new design of FIGS. 1 and 2;

FIG. 4 is a bottom plan view of the rear combination lamp in accordance with the first embodiment of our new design of FIGS. 1 to 3;

FIG. 5 is a right side elevational view of the rear combination lamp in accordance with the first embodiment of our new design of FIGS. 1 to 4;

FIG. 6 is a left side elevational view of the rear combination lamp in accordance with the first embodiment of our new design of FIGS. 1 to 5; and,

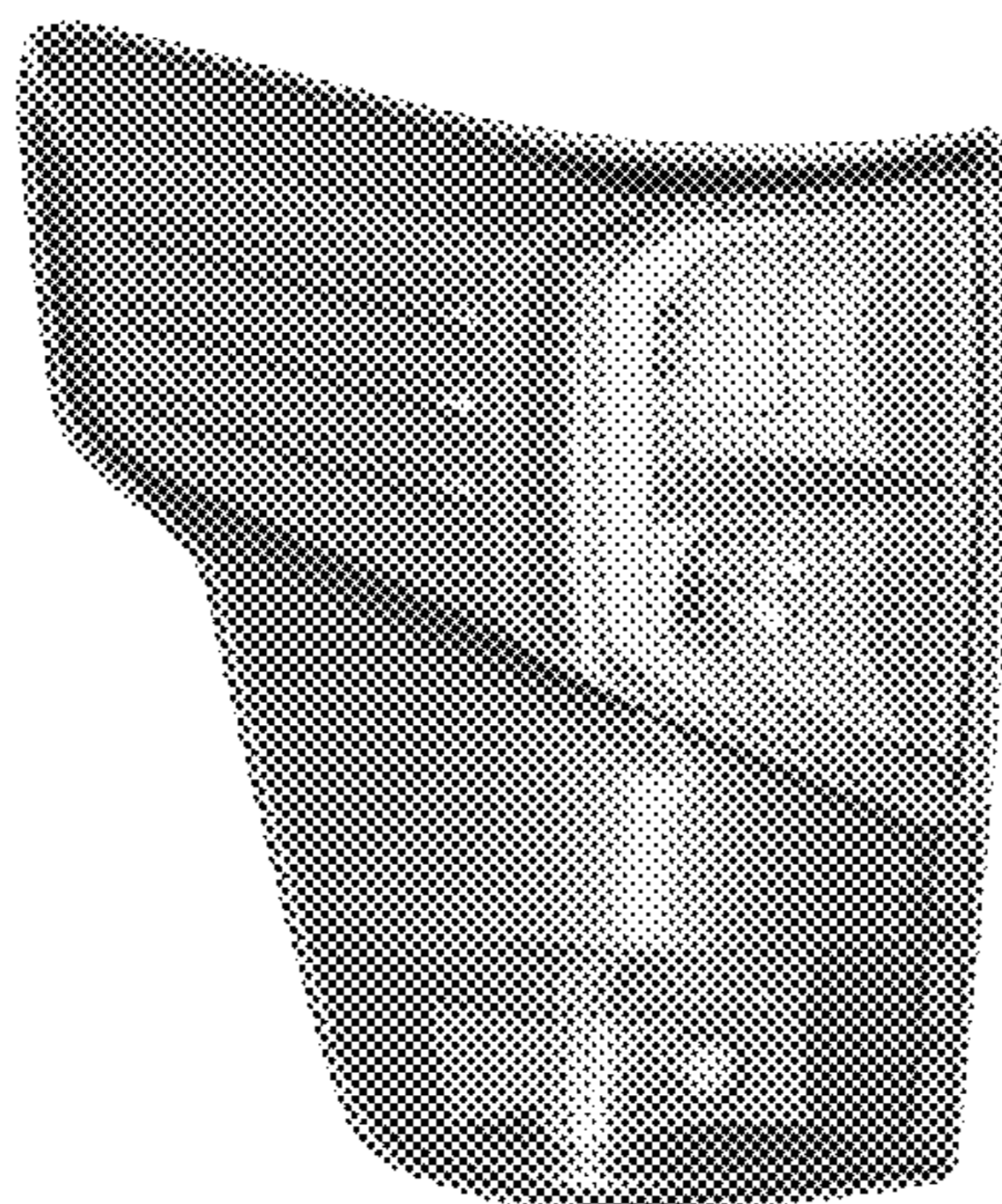
FIG. 7 is a front side perspective view of the rear combination lamp in accordance with the first embodiment of our new design of FIGS. 1 to 6.

The rear elevational view of FIG. 2 and the left side elevational view of FIG. 6 form no part of the claimed design. In addition, the rear combination lamp is configured to be mounted to an automobile. The mounting structure and support structure of the rear combination lamp, visible in FIGS. 2 to 7, form no part of the claimed design since the mounting structure and support structure are hidden when the rear combination lamp is mounted to the automobile.

In addition, the appearance of the rear side structures and inside side structures of the rear combination lamp as seen in FIGS. 2 to 7 is for purpose of illustrating the boundaries of the exterior surface of the outside of the rear combination lamp, and forms no part of the claimed design.

A second embodiment of our new design is identical to the first embodiment. The second embodiment of our new design includes the mirror image of the rear combination lamp shown in FIGS. 1 to 7.

1 Claim, 7 Drawing Sheets



(56)

References Cited

U.S. PATENT DOCUMENTS

D617,477 S * 6/2010 Woolley D26/28
D637,322 S * 5/2011 Yang D26/28
D661,830 S * 6/2012 de Queiroz D26/28
D691,296 S * 10/2013 Platto D26/28
D708,365 S * 7/2014 Platto D26/28

FOREIGN PATENT DOCUMENTS

JP D1268447 S 4/2006
JP D1289819 S 12/2006

JP D1295740 S 3/2007
JP D1300357 S 5/2007
JP D1328880 S 5/2008
JP D1312258 S 9/2008
JP D1358466 S 5/2009
JP D1359123 S 5/2009
JP D1403147 S 12/2010
JP D1444765 S 6/2012
JP D1509064 S 10/2014
JP D1511711 S 11/2014

* cited by examiner

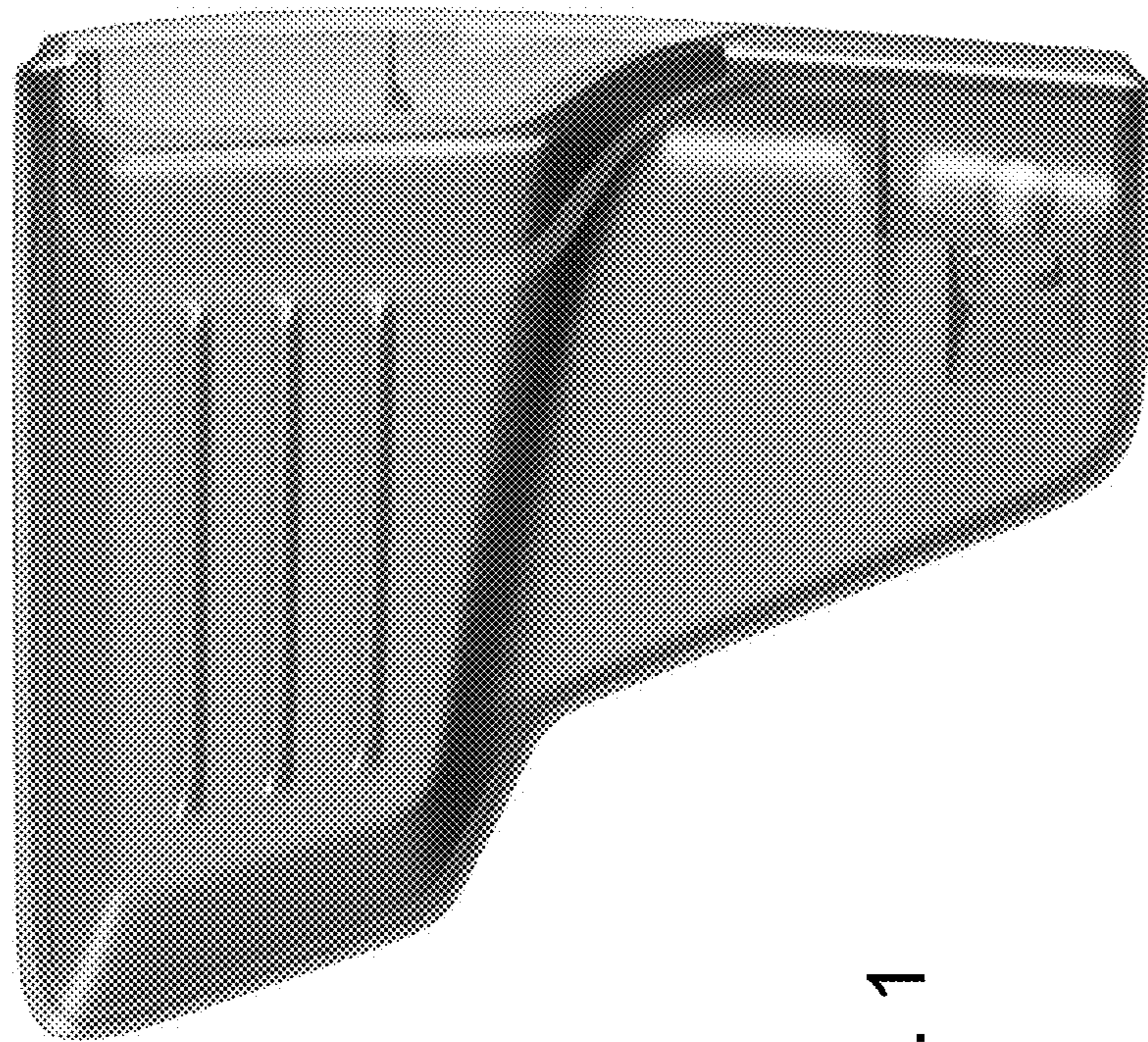


FIG. 1

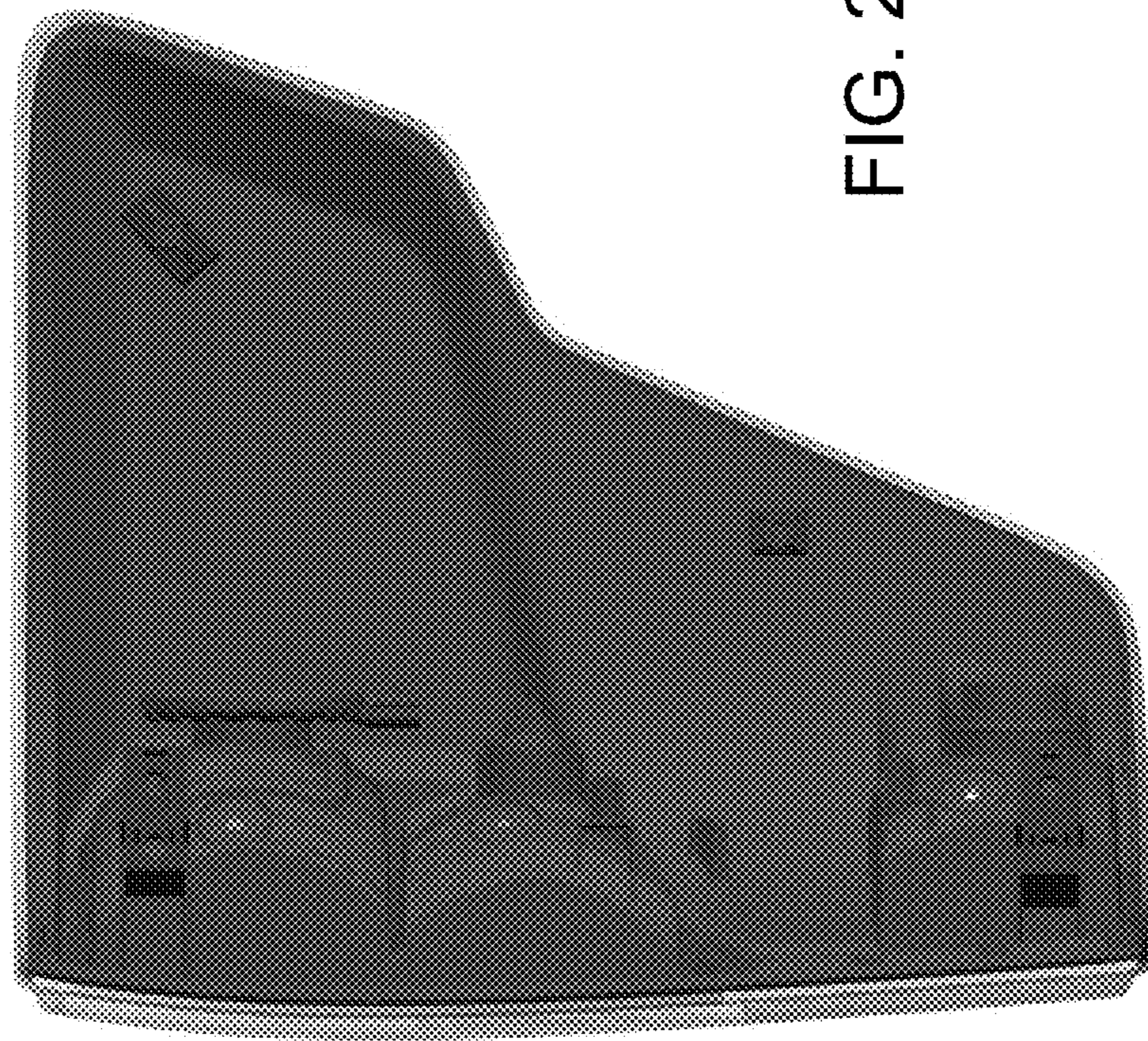


FIG. 2



FIG. 3

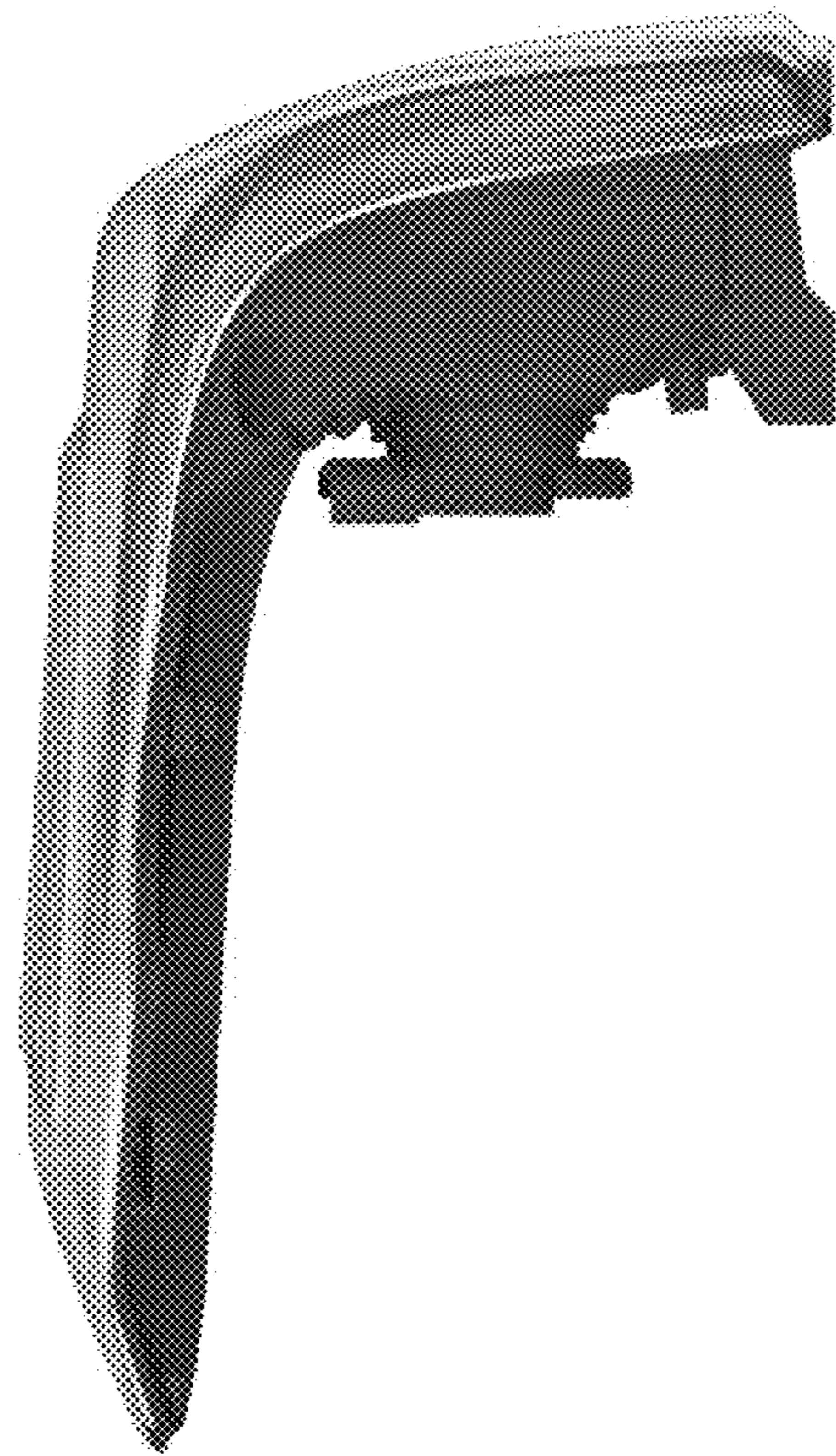


FIG. 4

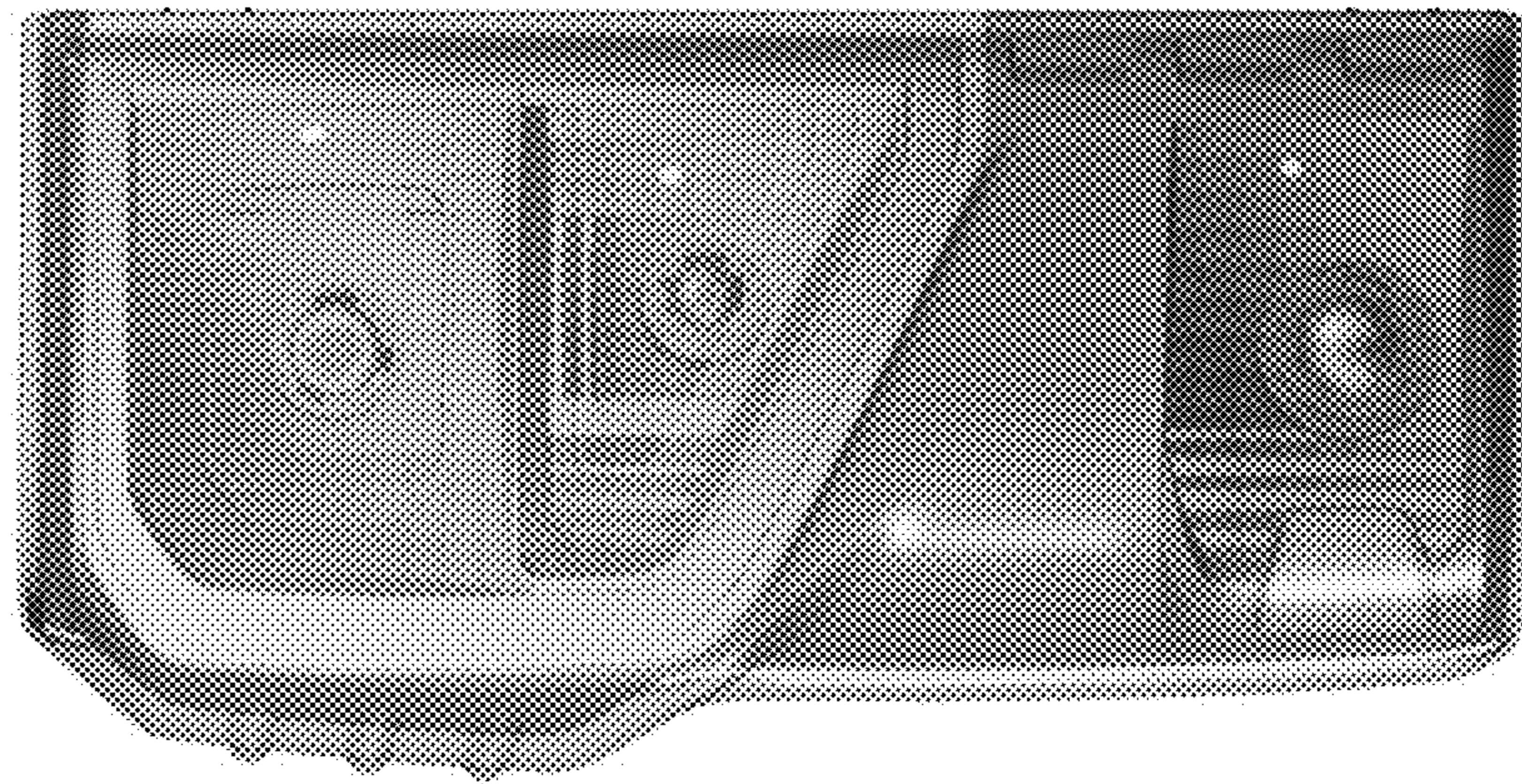
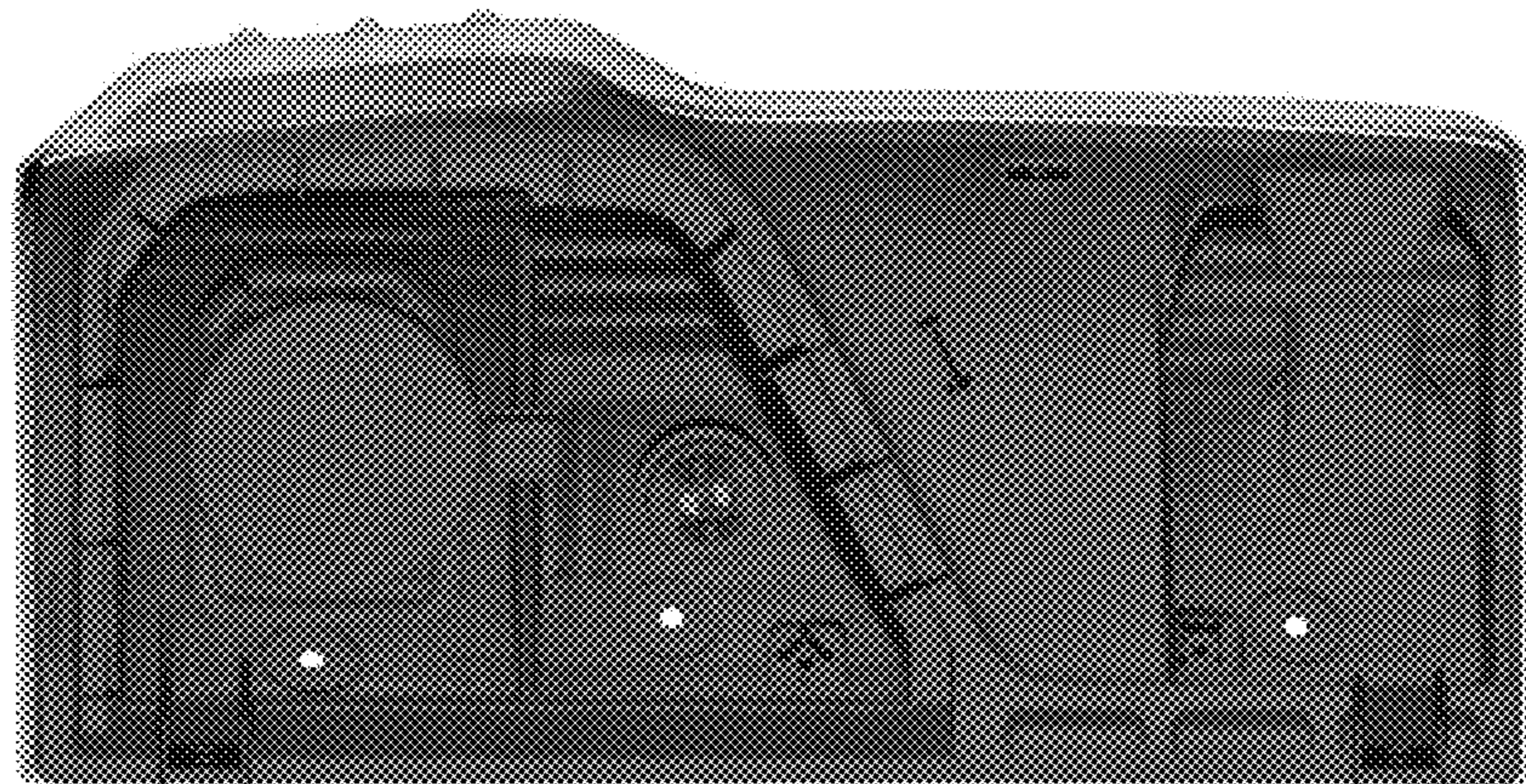


FIG. 5

FIG. 6



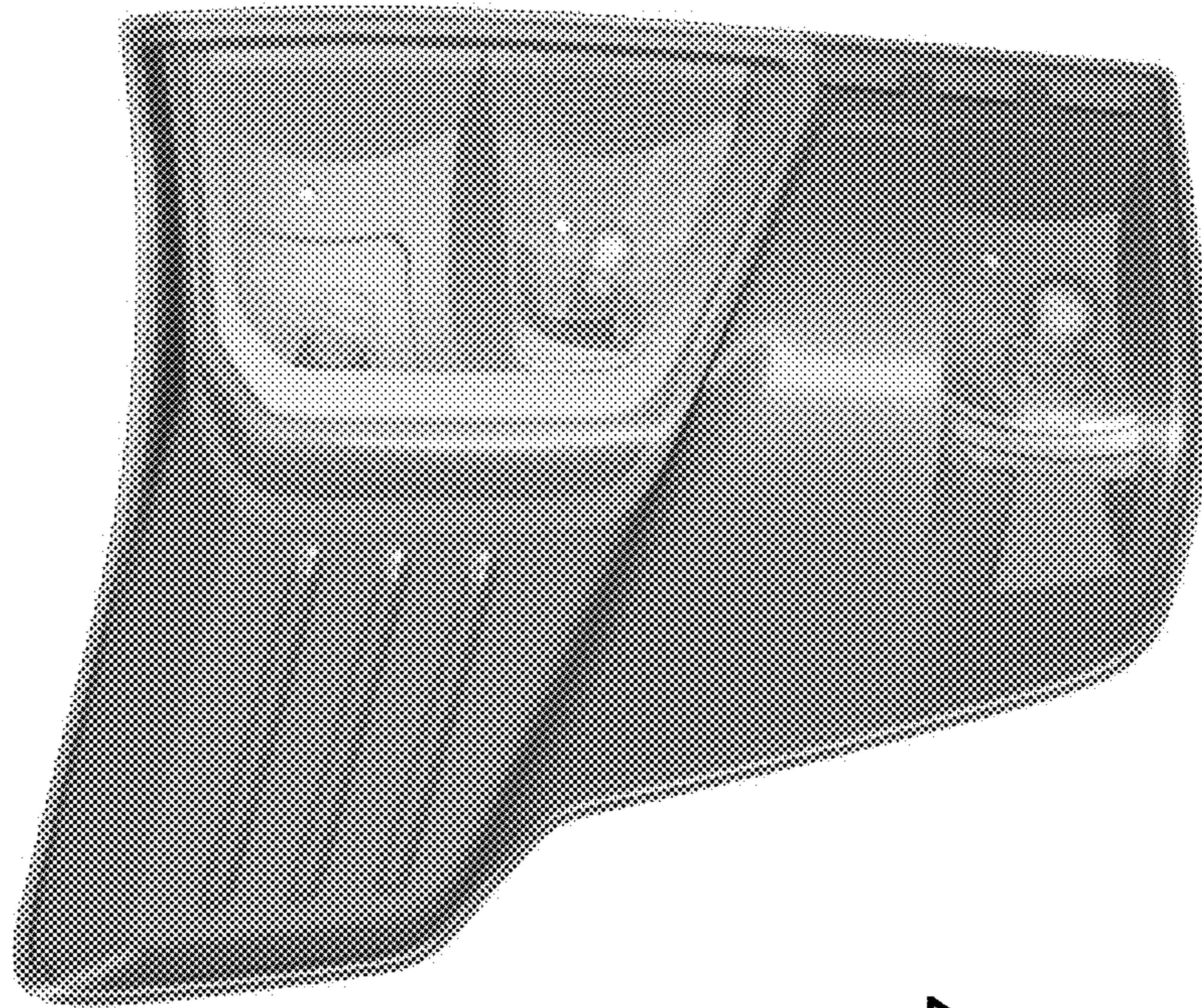


FIG. 7