



US00D763487S

(12) **United States Design Patent**
Kwon et al.

(10) **Patent No.:** **US D763,487 S**

(45) **Date of Patent:** **** Aug. 9, 2016**

(54) **REAR COMBINATION LAMP FOR VEHICLES**

(71) Applicant: **Hyundai Motor Company**, Seoul (KR)

(72) Inventors: **Oh Young Kwon**, Gyeonggi-do (KR); **Gwon Hak Lee**, Gyeonggi-do (KR); **Hee Joon An**, Incheon (KR); **Hae Ryun Sohn**, Gyeonggi-Do (KR); **Yu Ra Cha**, Seoul (KR); **Myung Jin Jung**, Seoul (KR)

(73) Assignee: **Hyundai Motor Company**, Seoul (KR)

(**) Term: **14 Years**

(21) Appl. No.: **29/524,084**

(22) Filed: **Apr. 16, 2015**

(51) **LOC (10) Cl.** **26-06**

(52) **U.S. Cl.**
USPC **D26/28**

(58) **Field of Classification Search**
USPC D26/28-36; 362/61, 80-83, 267-269, 362/459-468, 475-478, 485-487
CPC F21S 48/00; F21S 48/10; F21S 48/115; F21S 48/225; F21S 48/1233; F21S 48/1266; F21S 48/1388; F21S 48/2268; F21V 21/04
See application file for complete search history.

(56) **References Cited**

U.S. PATENT DOCUMENTS

D541,445 S * 4/2007 Lin D26/28
D550,380 S * 9/2007 Lin D26/28

D553,268 S * 10/2007 Pfeiffer D26/28
D565,211 S * 3/2008 Haller D26/28
D570,015 S * 5/2008 Hsu D26/28
D602,616 S * 10/2009 Okamura D26/28
D605,793 S * 12/2009 Weil D26/28
D620,157 S * 7/2010 Frenzel D26/28

* cited by examiner

Primary Examiner — Marcus Jackson

(74) *Attorney, Agent, or Firm* — Mintz Levin Cohn Ferris Glovsky and Popeo, P.C.; Kongsik Kim

(57) **CLAIM**

The ornamental design for a rear combination lamp for a vehicle, as shown and described.

DESCRIPTION

FIG. 1 is a perspective view of a rear combination lamp for a vehicle according to the present invention.

FIG. 2 is a front view of the rear combination lamp for a vehicle of FIG. 1.

FIG. 3 is a rear view of the rear combination lamp for a vehicle of FIG. 1.

FIG. 4 is a left side view of the rear combination lamp for a vehicle of FIG. 1.

FIG. 5 is a right side view of the rear combination lamp for a vehicle of FIG. 1.

FIG. 6 is a top view of the rear combination lamp for a vehicle of FIG. 1; and,

FIG. 7 is a bottom view of the rear combination lamp for a vehicle of FIG. 1.

1 Claim, 7 Drawing Sheets

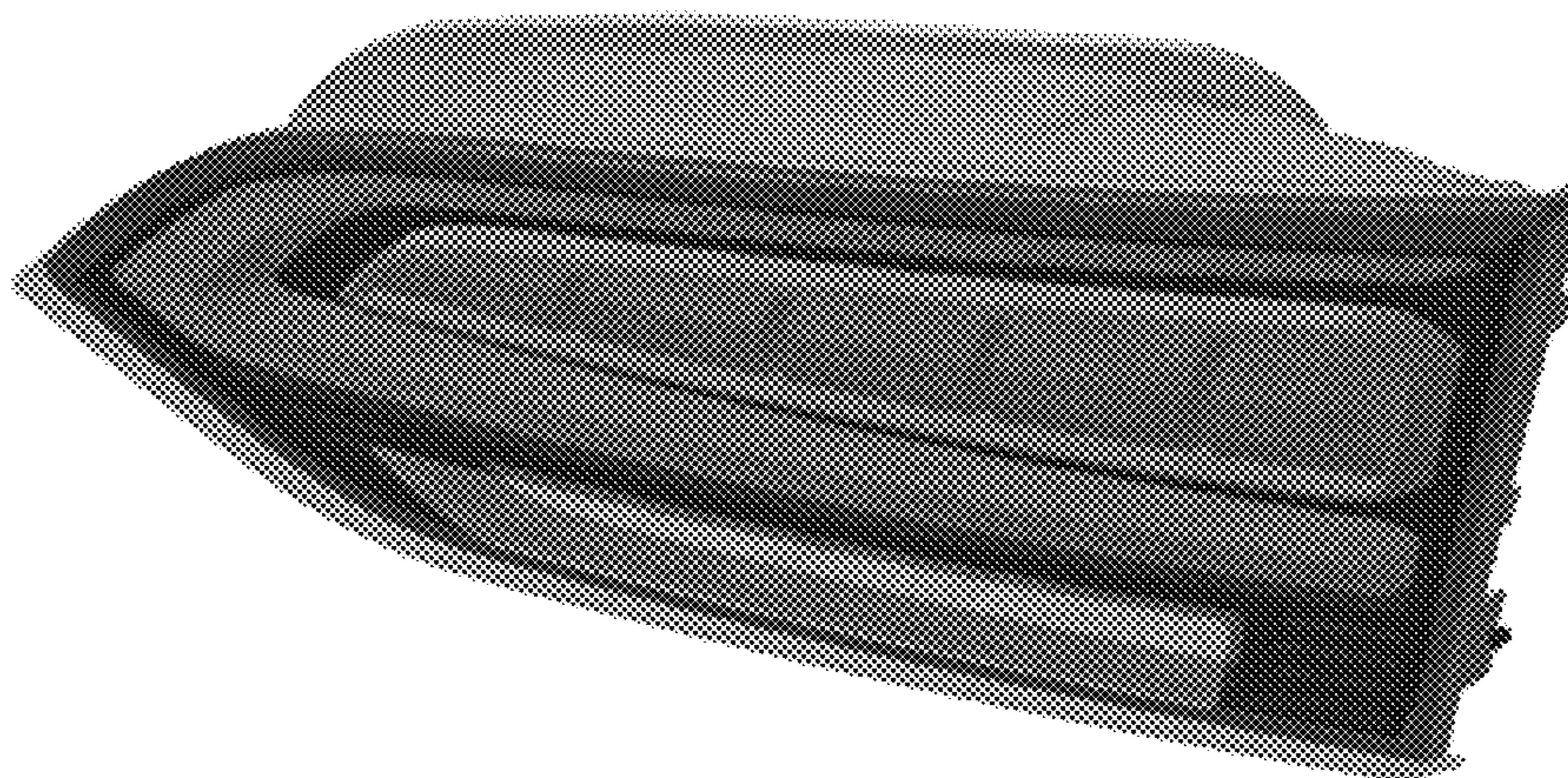


FIG. 1

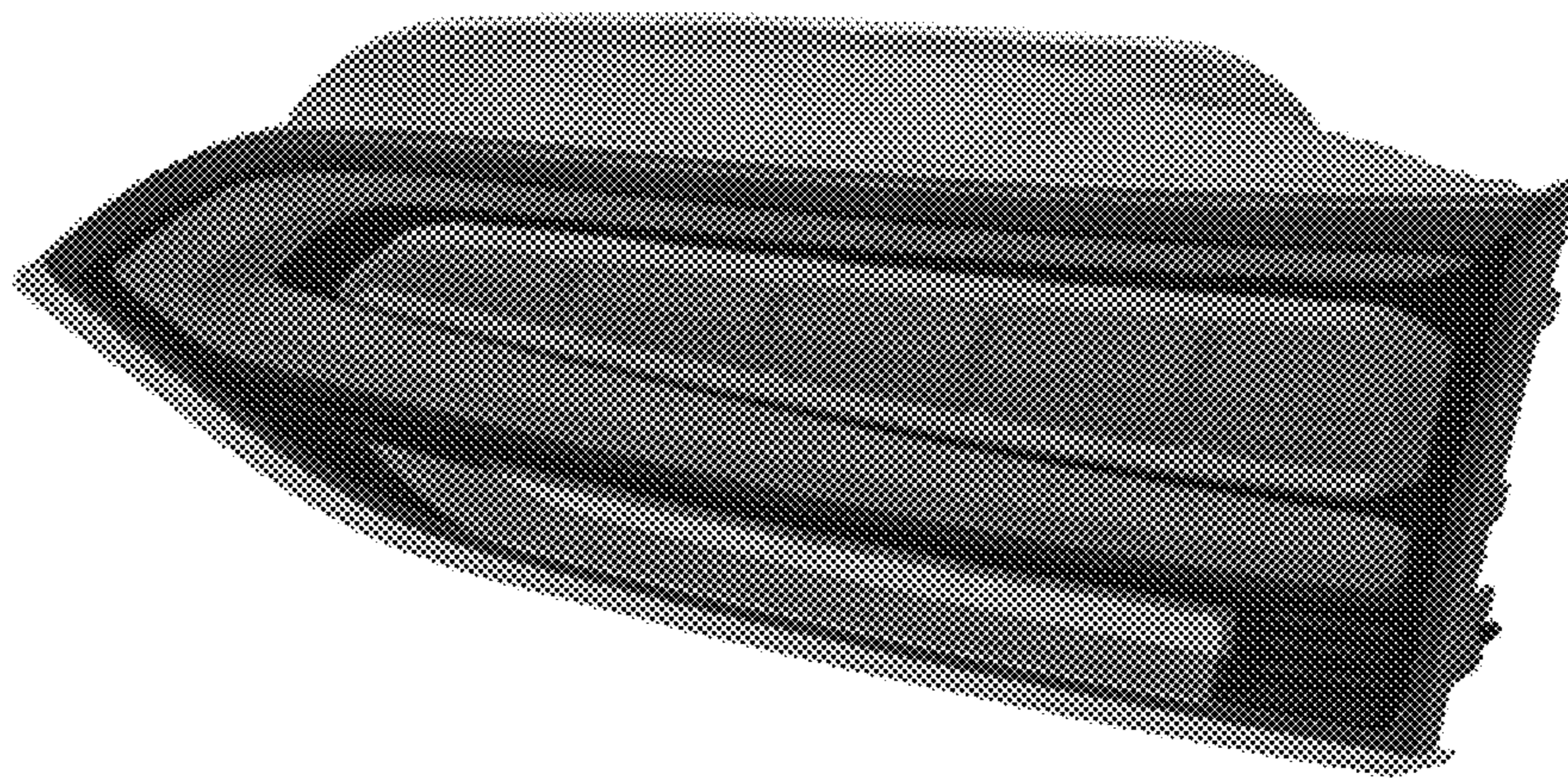


FIG. 2

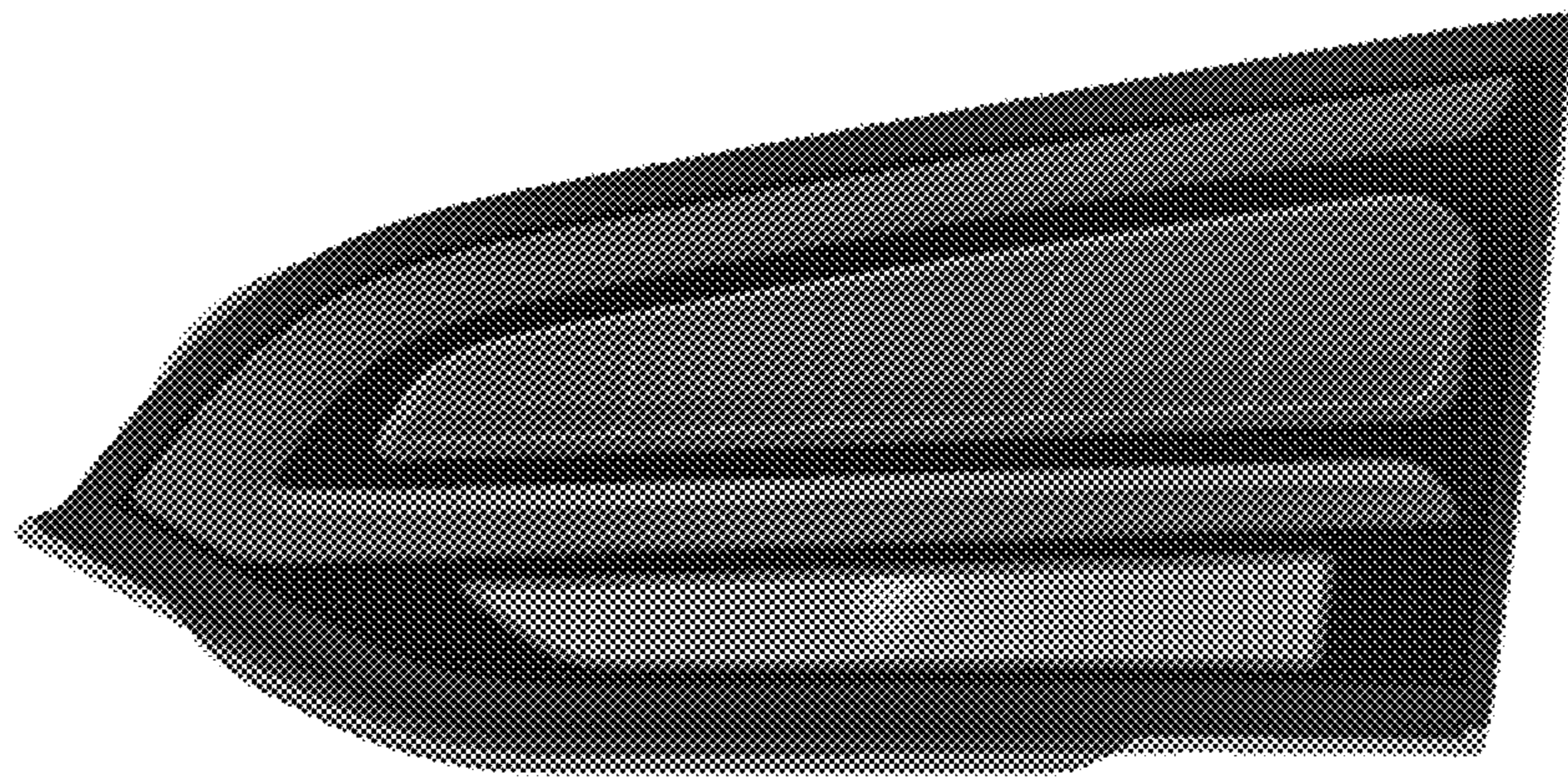


FIG. 3

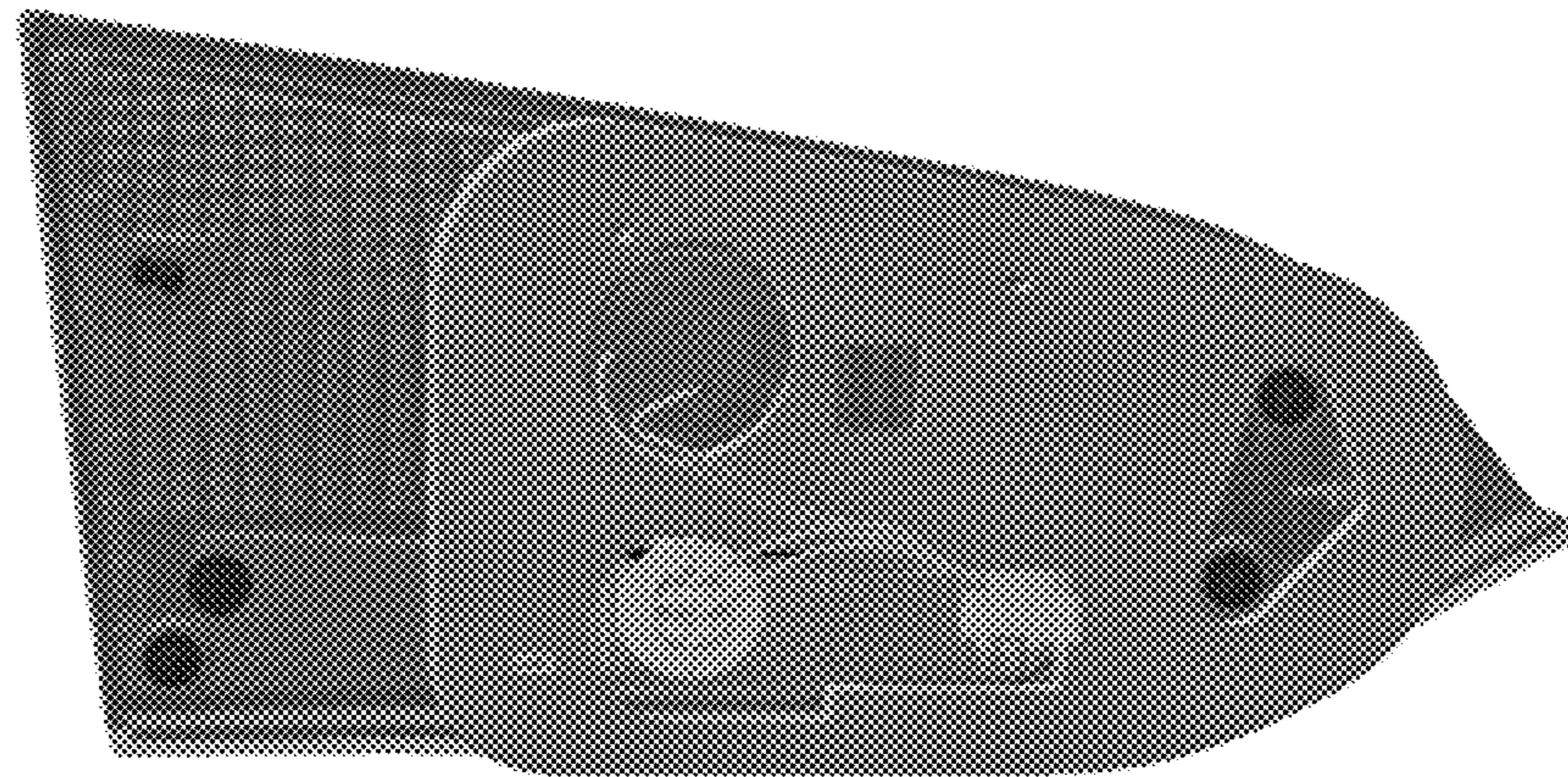


FIG. 4

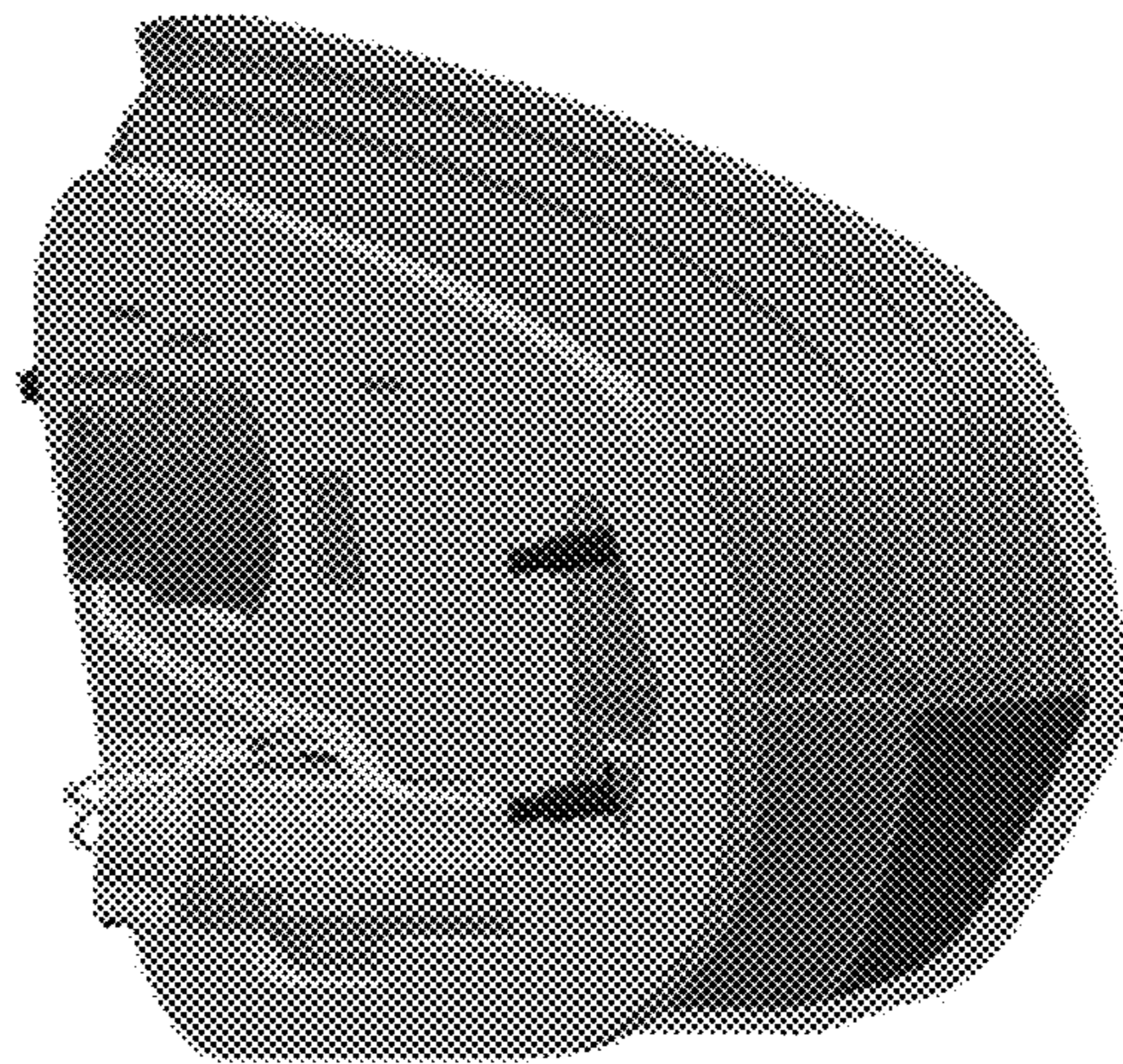


FIG. 5

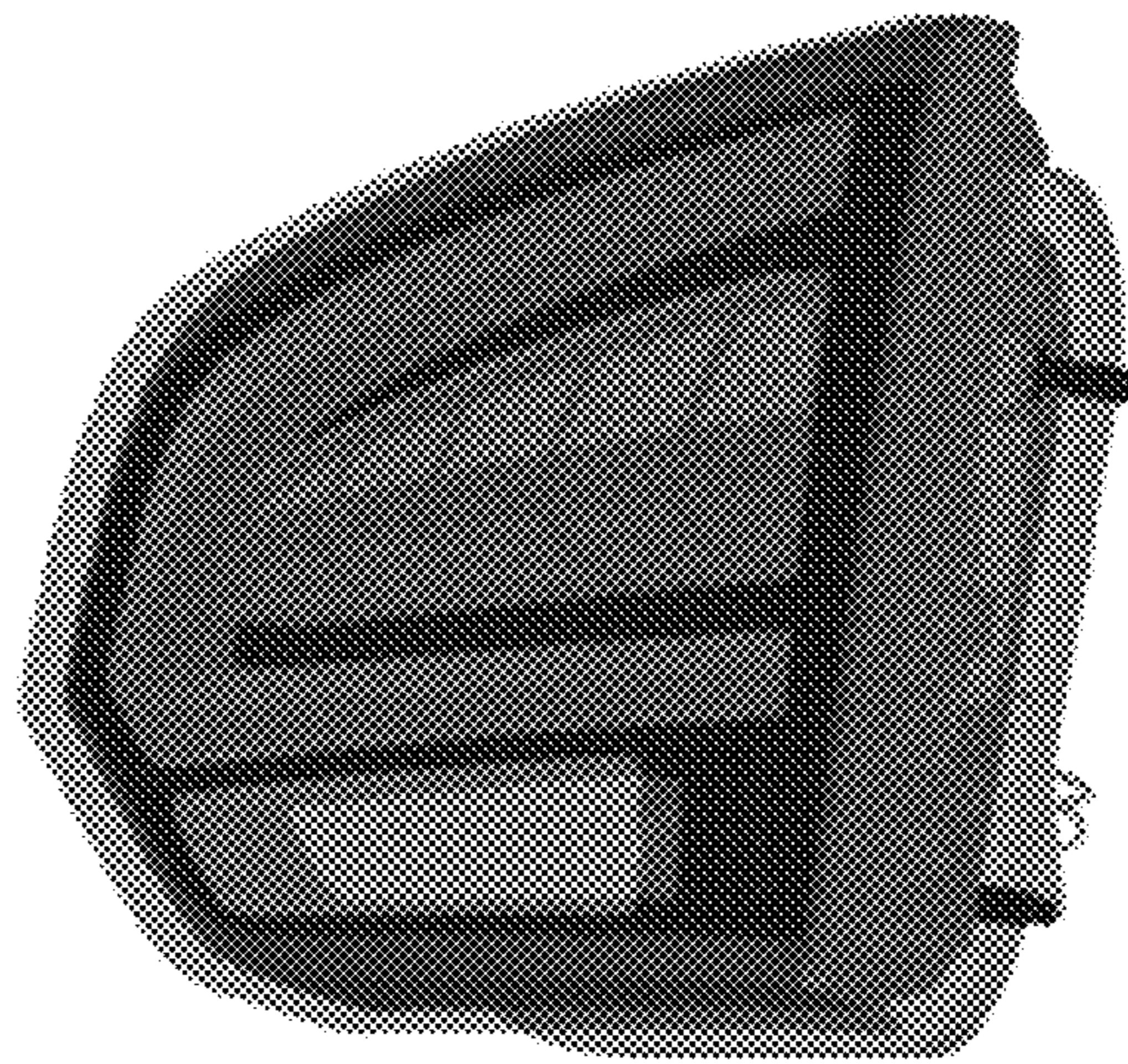


FIG. 6

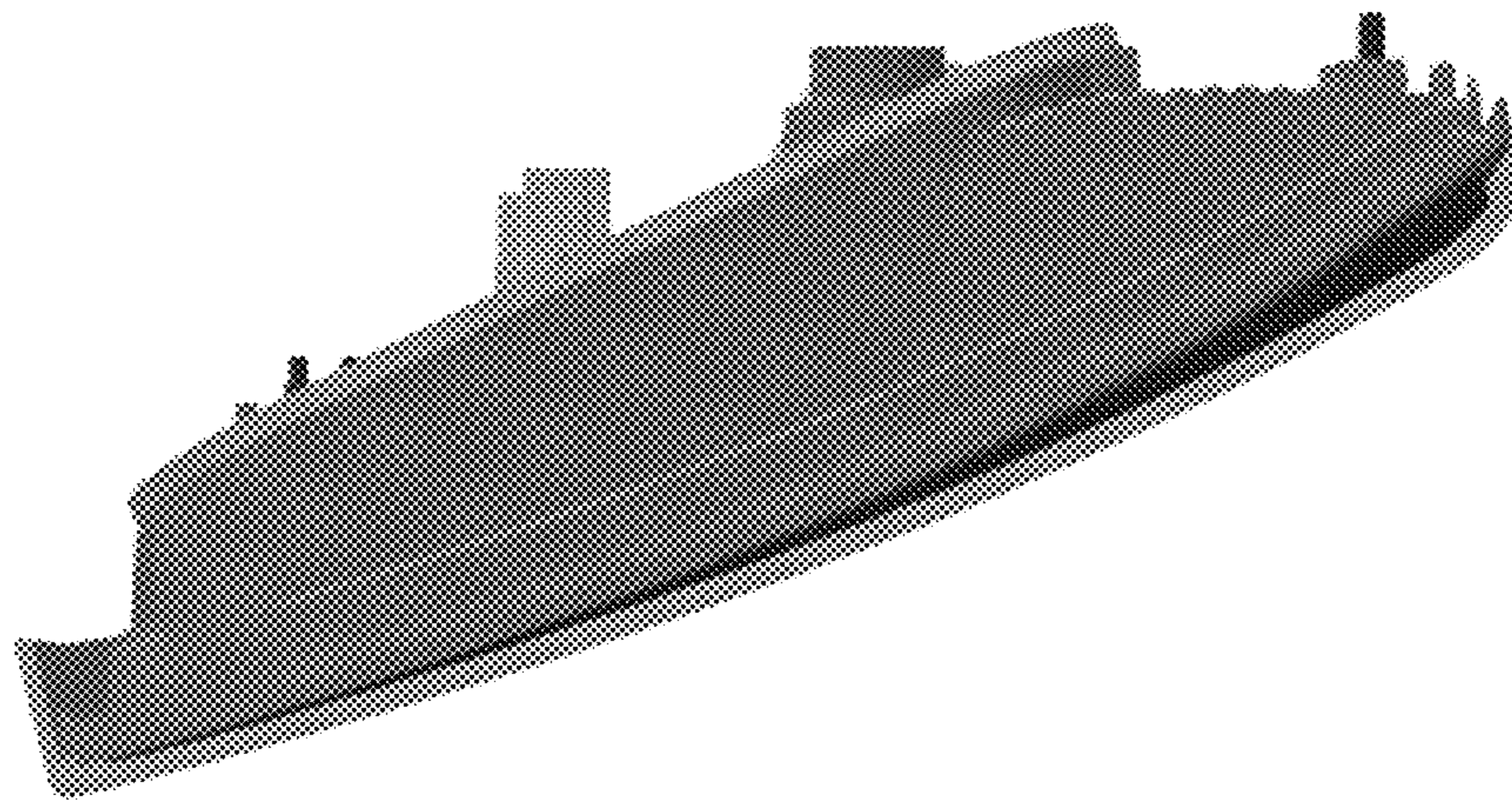


FIG. 7

