



US00D763486S

(12) **United States Design Patent**
Kwon et al.

(10) **Patent No.:** **US D763,486 S**
(45) **Date of Patent:** **** Aug. 9, 2016**

- (54) **HEAD LAMP FOR A VEHICLE**
- (71) Applicant: **Hyundai Motor Company**, Seoul (KR)
- (72) Inventors: **Oh Young Kwon**, Gyeonggi-Do (KR);
Gwon Hak Lee, Gyeonggi-Do (KR);
Hee Joon An, Incheon (KR); **Hae Ryun Sohn**, Gyeonggi-Do (KR); **Yu Ra Cha**, Seoul (KR); **Myung Jin Jung**, Seoul (KR)
- (73) Assignee: **Hyundai Motor Company**, Seoul (KR)
- (**) Term: **14 Years**
- (21) Appl. No.: **29/524,073**
- (22) Filed: **Apr. 16, 2015**
- (51) **LOC (10) Cl.** **26-06**
- (52) **U.S. Cl.**
USPC **D26/28**
- (58) **Field of Classification Search**
USPC D26/28-36; 362/61, 80-83, 267-269,
362/459-468, 475-478, 485-487
CPC F21S 48/00; F21S 48/10; F21S 48/115;
F21S 48/225; F21S 48/1233; F21S 48/1266;
F21S 48/1388; F21S 48/2268; F21V 21/04
See application file for complete search history.

- (56) **References Cited**
U.S. PATENT DOCUMENTS
D528,681 S * 9/2006 Nakahara D26/28
D528,685 S * 9/2006 Yoshida D26/28
D544,114 S * 6/2007 Ohta D26/28
D544,614 S * 6/2007 Markefka D26/28
D549,857 S * 8/2007 Lin D26/28

* cited by examiner

Primary Examiner — Marcus Jackson
(74) *Attorney, Agent, or Firm* — Mintz Levin Cohn Ferris Glovsky and Popeo, P.C.; Kongsik Kim

(57) **CLAIM**
The ornamental design for a head lamp for a vehicle, as shown and described.

DESCRIPTION

FIG. 1 is a perspective view of a head lamp for a vehicle according to the present invention.
FIG. 2 is a front view of the head lamp for a vehicle of FIG. 1.
FIG. 3 is a rear view of the head lamp for a vehicle of FIG. 1.
FIG. 4 is a left side view of the head lamp for a vehicle of FIG. 1.
FIG. 5 is a right side view of the head lamp for a vehicle of FIG. 1.
FIG. 6 is a top view of the head lamp for a vehicle of FIG. 1; and,
FIG. 7 is a bottom view of the head lamp for a vehicle of FIG. 1.

1 Claim, 7 Drawing Sheets

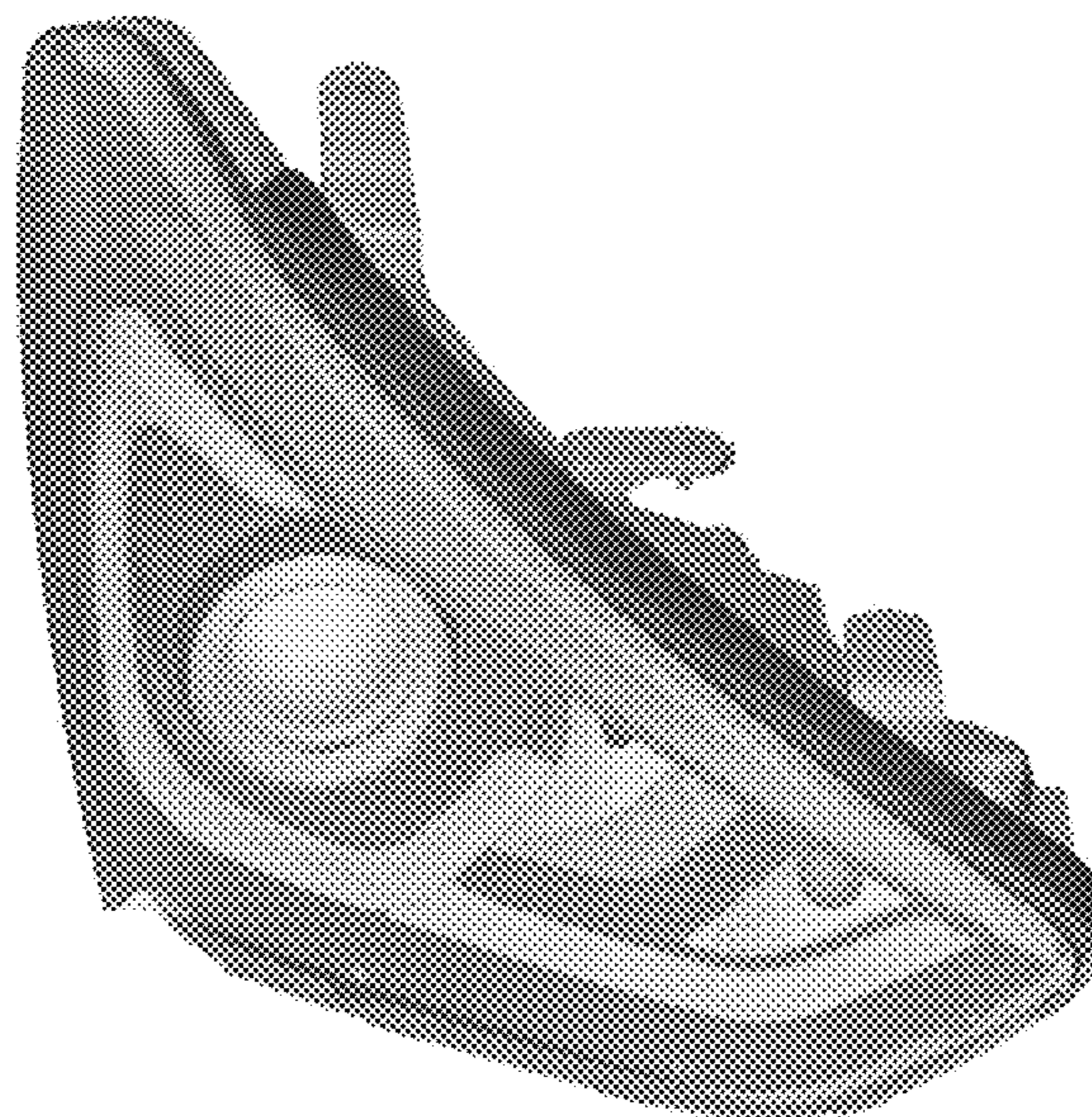


FIG. 1

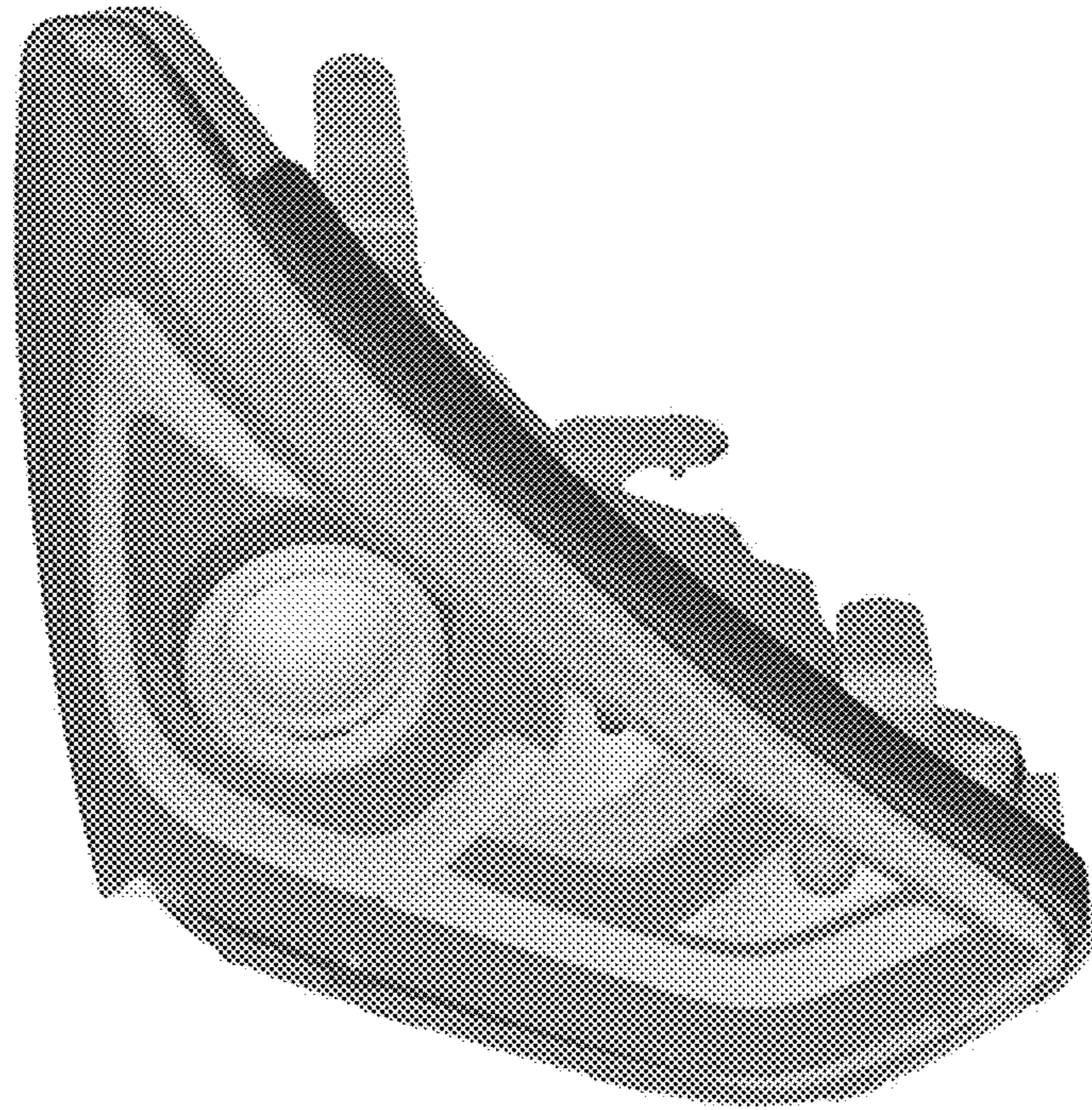


FIG. 2

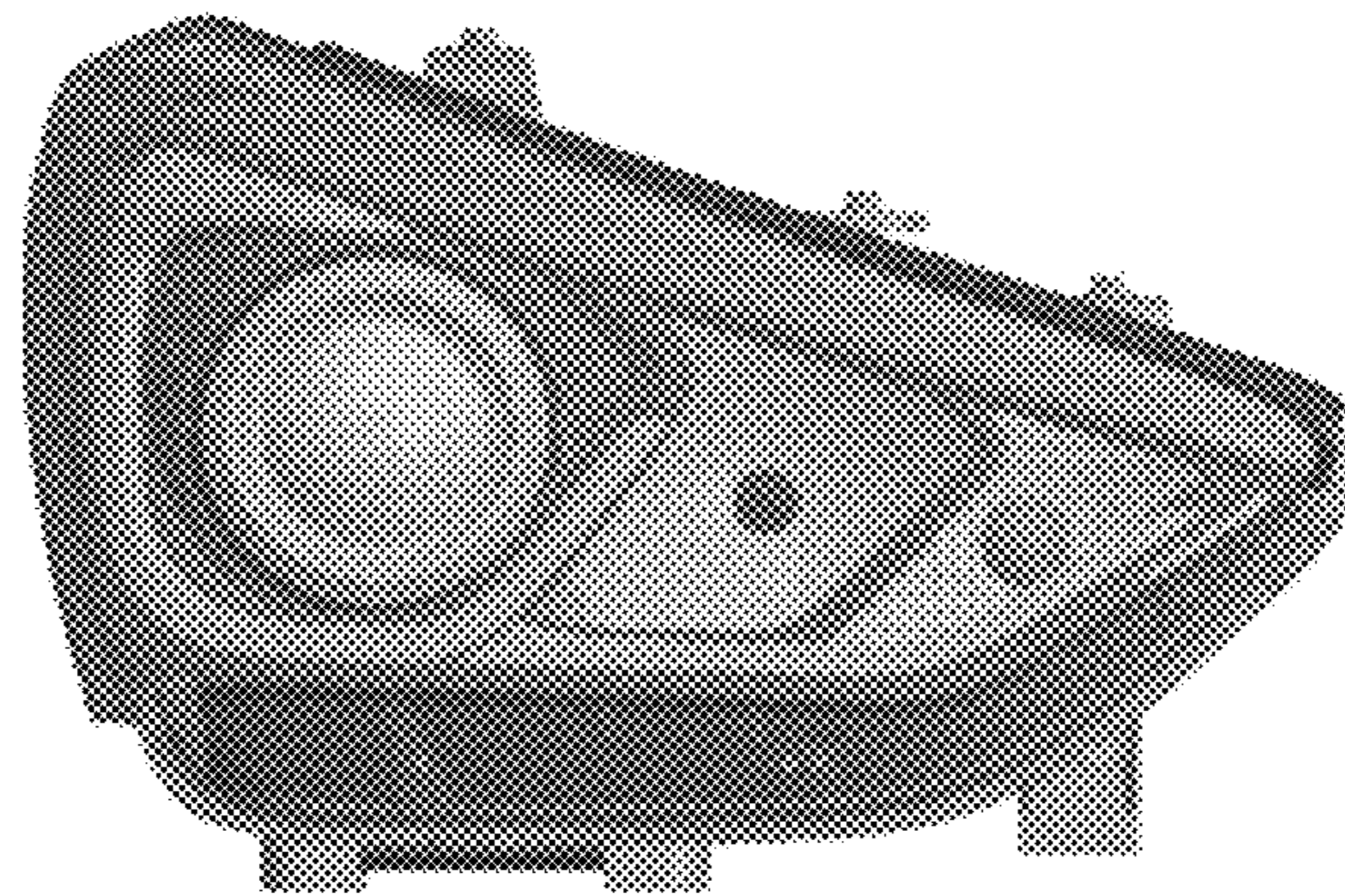


FIG. 3

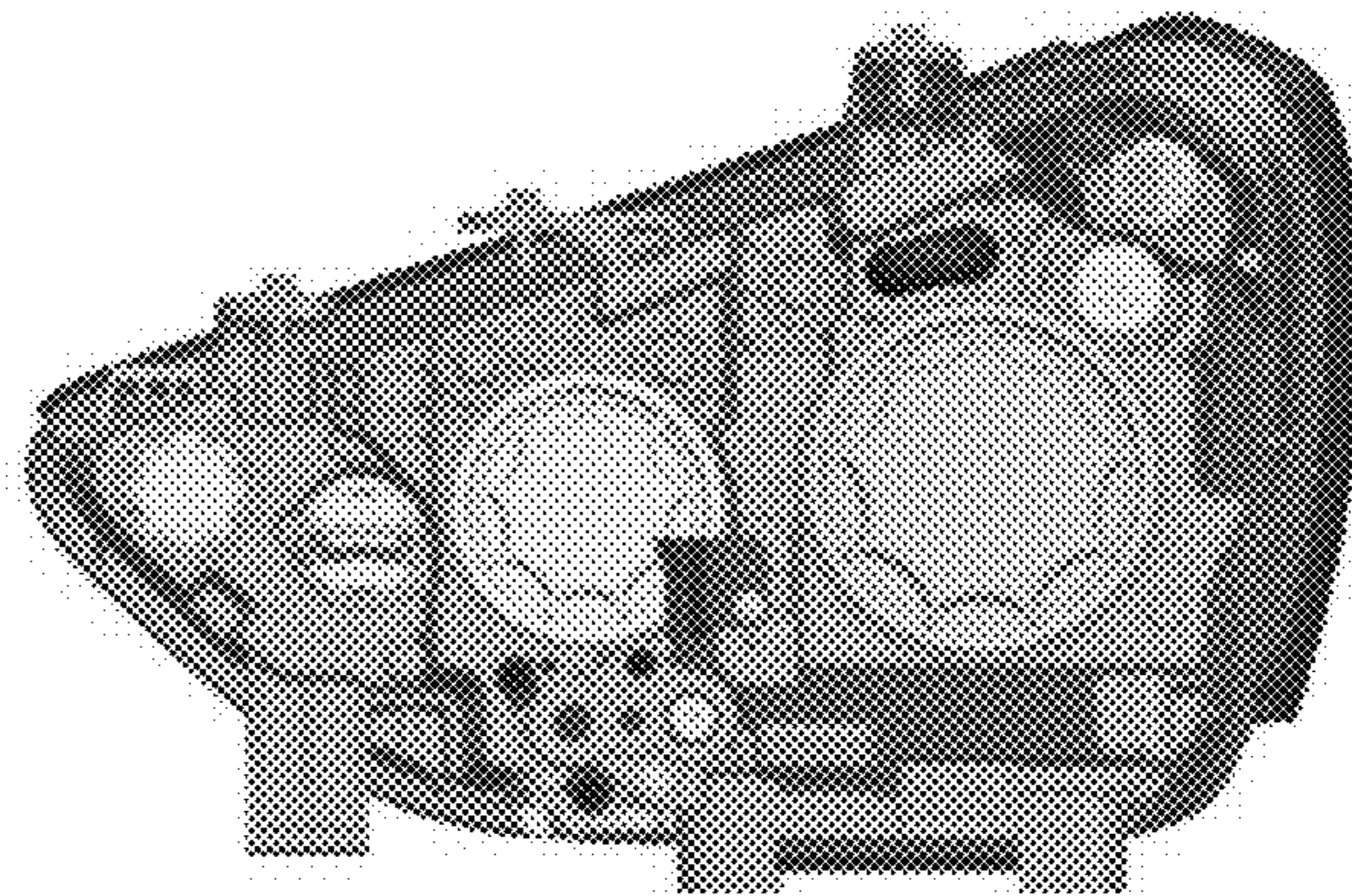


FIG. 4

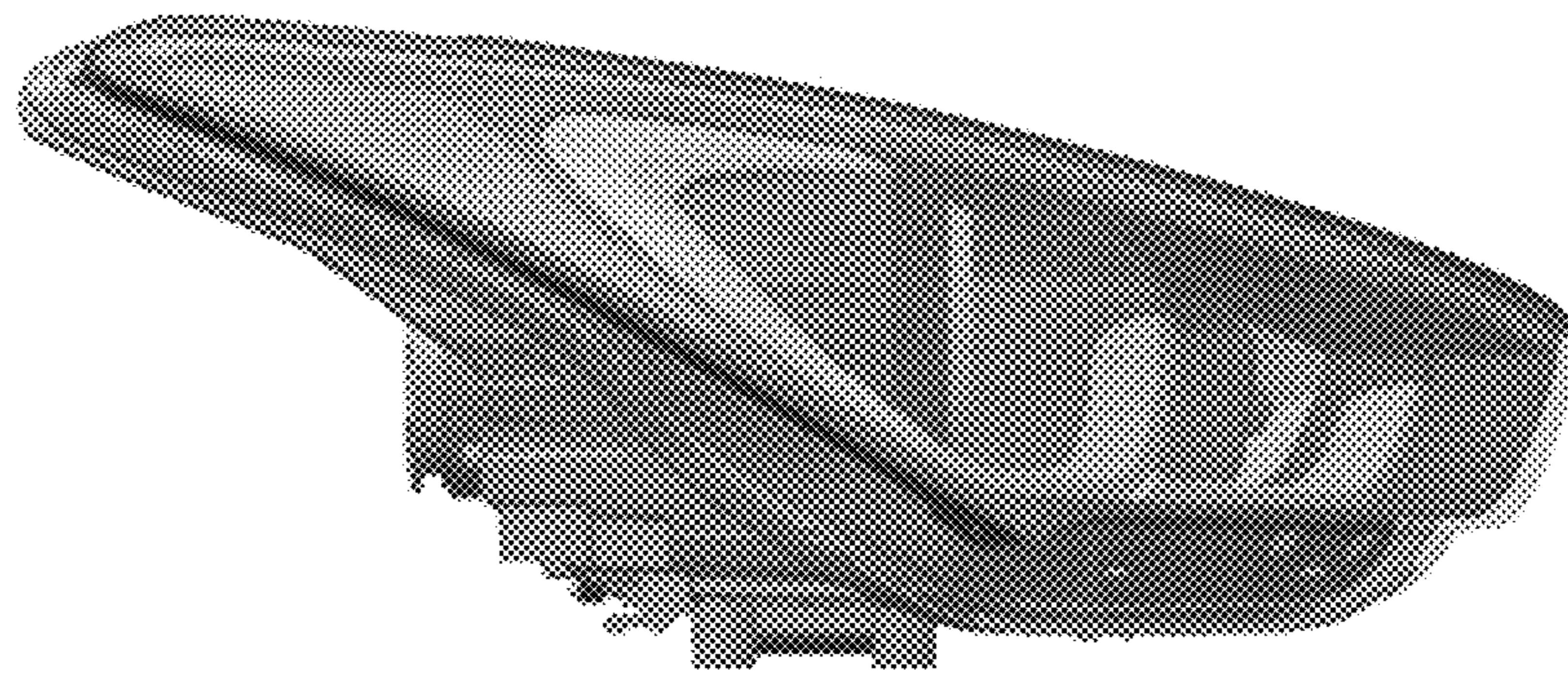


FIG. 5

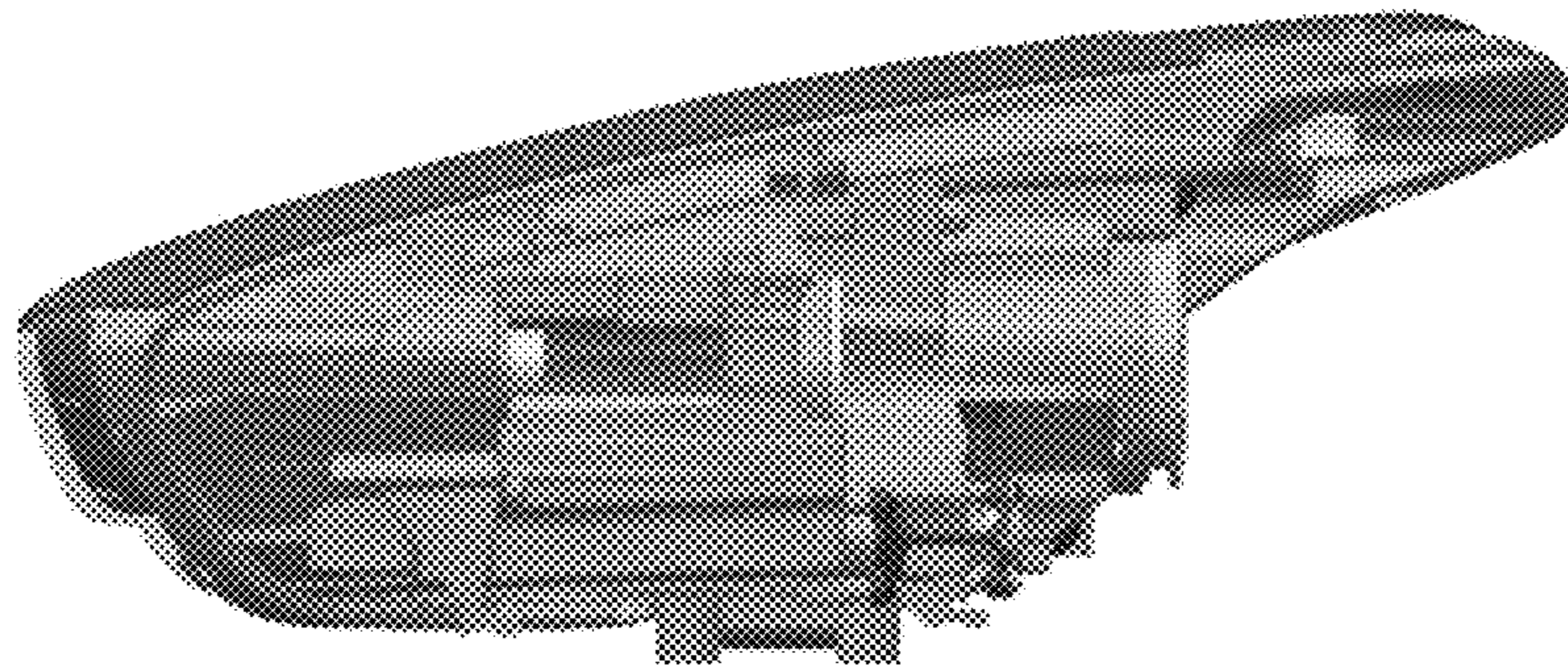


FIG. 6

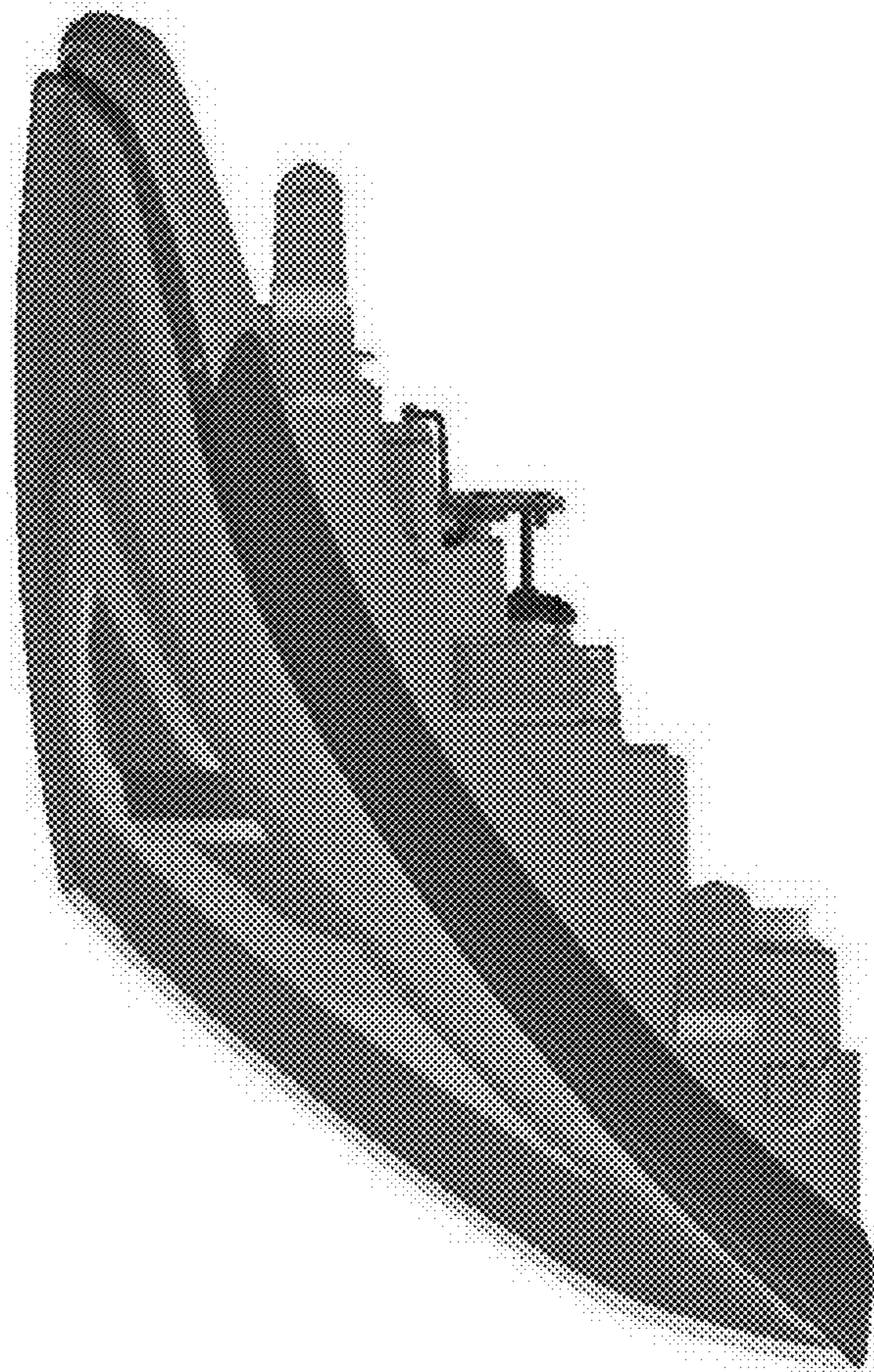


FIG. 7

